

US00D705515S

(12) **United States Design Patent**
Bernard

(10) **Patent No.:** **US D705,515 S**

(45) **Date of Patent:** **** May 20, 2014**

(54) **HOIST**

(71) Applicant: **Konecranes PLC**, Hyvinkaa (FI)

(72) Inventor: **Loic Bernard**, Verigny (FR)

(73) Assignee: **Konecranes PLC**, Hyvinkaa (FI)

(**) Term: **14 Years**

(21) Appl. No.: **29/450,651**

(22) Filed: **Mar. 20, 2013**

(30) **Foreign Application Priority Data**

Sep. 28, 2012 (EM) 002110619-0001

(51) **LOC (10) Cl.** **12-05**

(52) **U.S. Cl.**
USPC **D34/33**

(58) **Field of Classification Search**
USPC D34/28, 33; 280/490.1; 254/382, 374,
254/356, 380; 294/82.11; D12/162
See application file for complete search history.

(56) **References Cited**

U.S. PATENT DOCUMENTS

5,573,091 A * 11/1996 Hung 192/12 R
D438,358 S * 2/2001 Huang D34/33

D439,722 S * 3/2001 Huang D34/33
6,241,215 B1 * 6/2001 Gersemsky et al. 254/342
D491,333 S * 6/2004 Blasek D34/33
D524,508 S * 7/2006 Lichtenvort D34/33
7,097,157 B1 * 8/2006 Lodrick 254/362
D540,003 S * 4/2007 Hagihara et al. D34/33
D556,420 S * 11/2007 Trihey et al. D34/33
D586,073 S * 2/2009 Tsao D34/33
D591,923 S * 5/2009 Freitas et al. D34/33
D640,442 S * 6/2011 Borotrager et al. D34/33
D657,931 S * 4/2012 Anderson et al. D34/33
D674,163 S * 1/2013 Tarkiainen et al. D34/33
D677,853 S * 3/2013 Gans et al. D34/33
D679,474 S * 4/2013 Beaussart et al. D34/33

* cited by examiner

Primary Examiner — Cynthia Ramirez

(74) *Attorney, Agent, or Firm* — Holland & Hart LLP

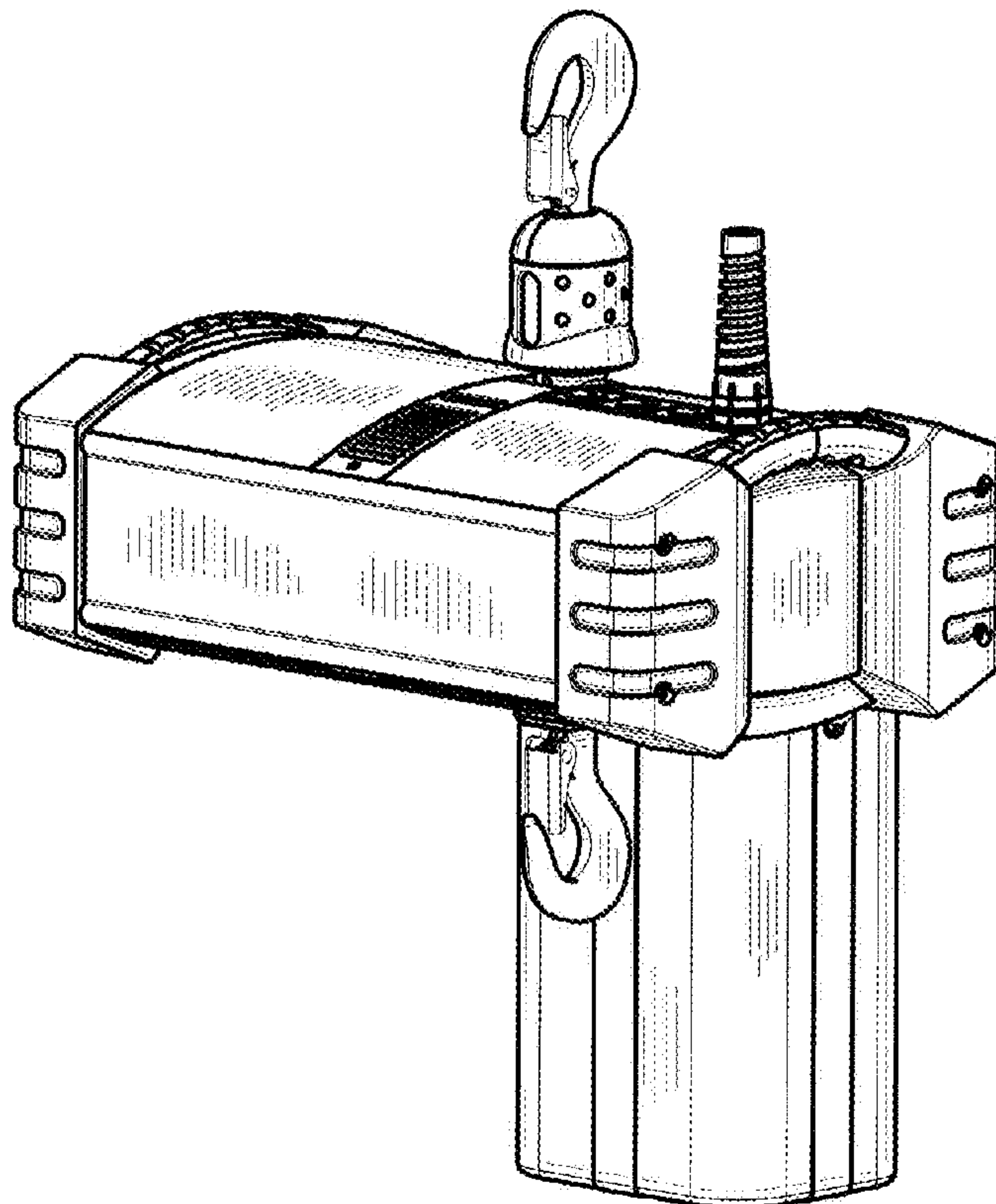
(57) **CLAIM**

The ornamental design for a hoist, as shown and described.

DESCRIPTION

FIG. 1 is a front perspective view of the hoist, showing my new design;
FIG. 2 is a front view of the design illustrated in FIG. 1.
FIG. 3 is a right side view of the design illustrated in FIG. 1;
FIG. 4 is a left side view of the design illustrated in FIG. 1;
FIG. 5 is a rear view of the design illustrated in FIG. 1;
FIG. 6 is a top view of the design illustrated in FIG. 1; and
FIG. 7 is a bottom view of the design illustrated in FIG. 1.

1 Claim, 7 Drawing Sheets



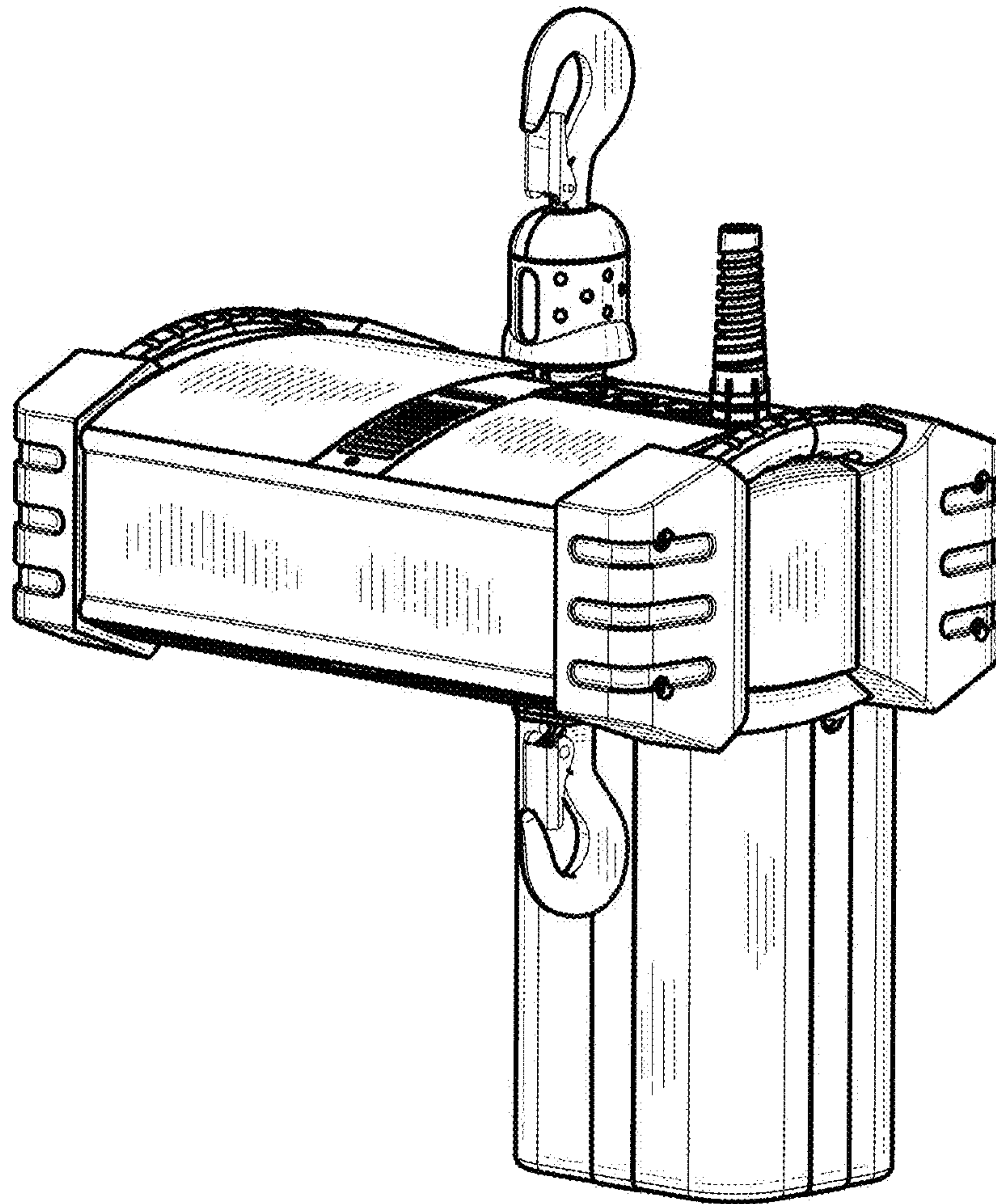


FIG. 1

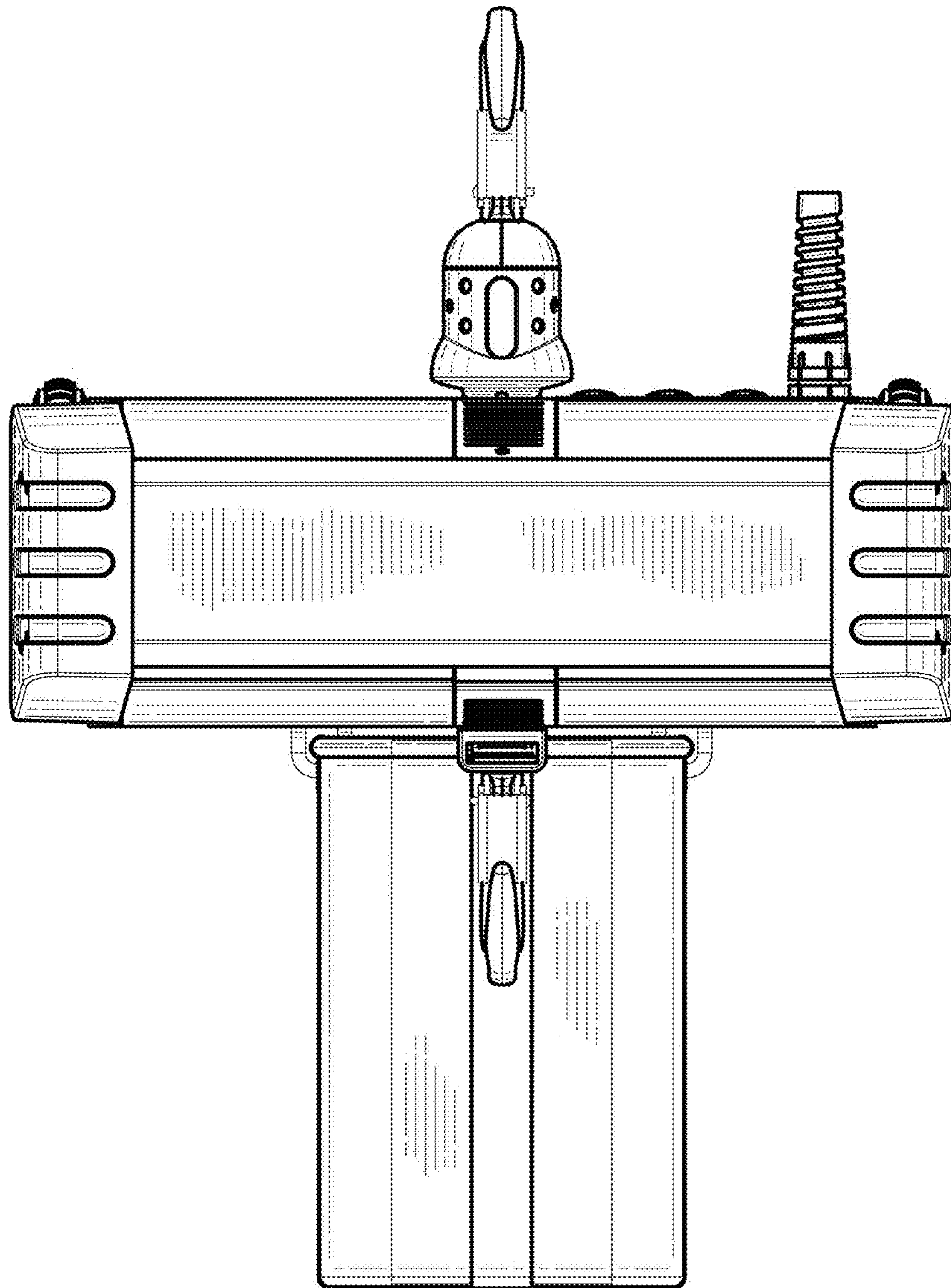


FIG. 2

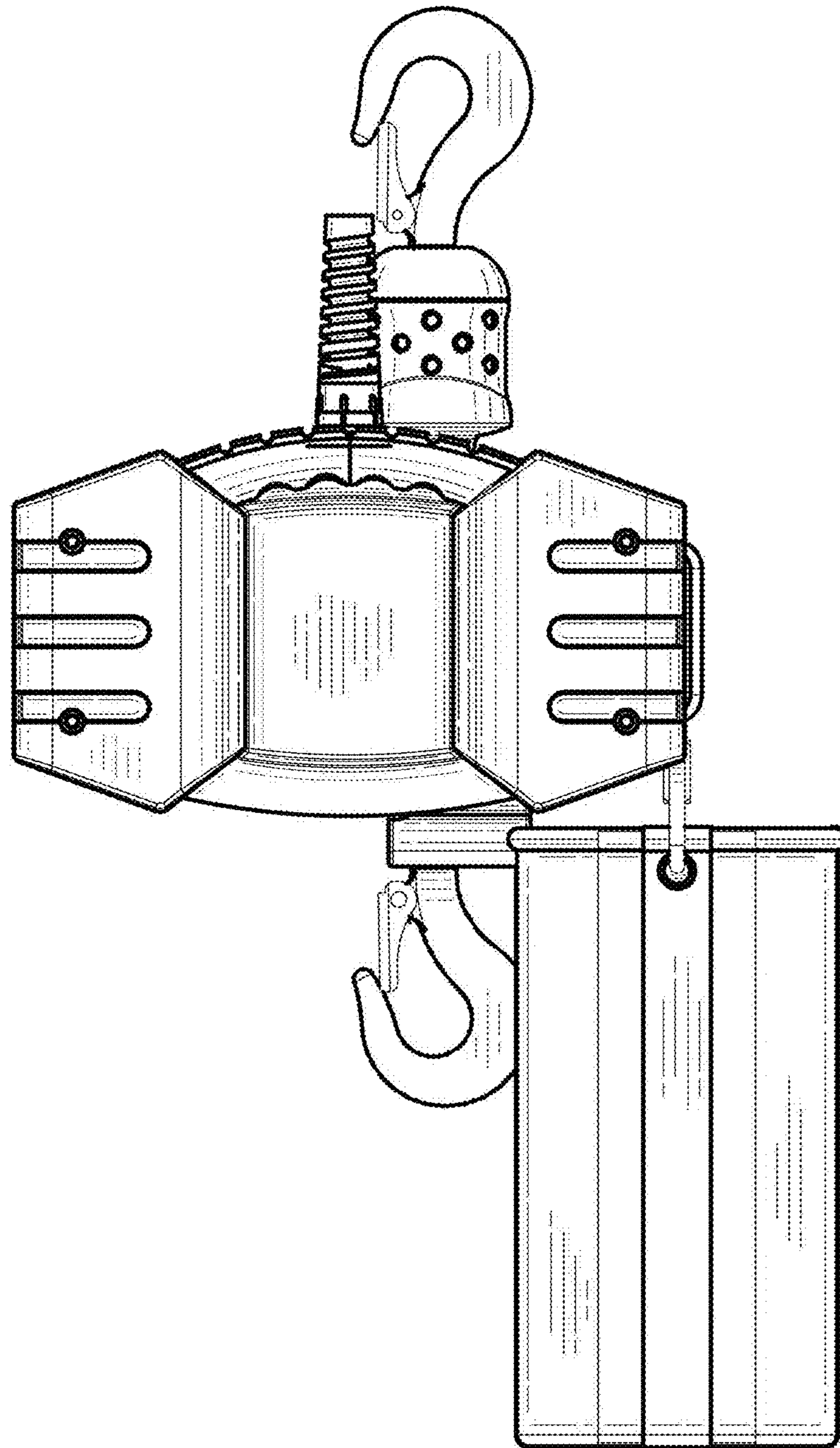


FIG. 3

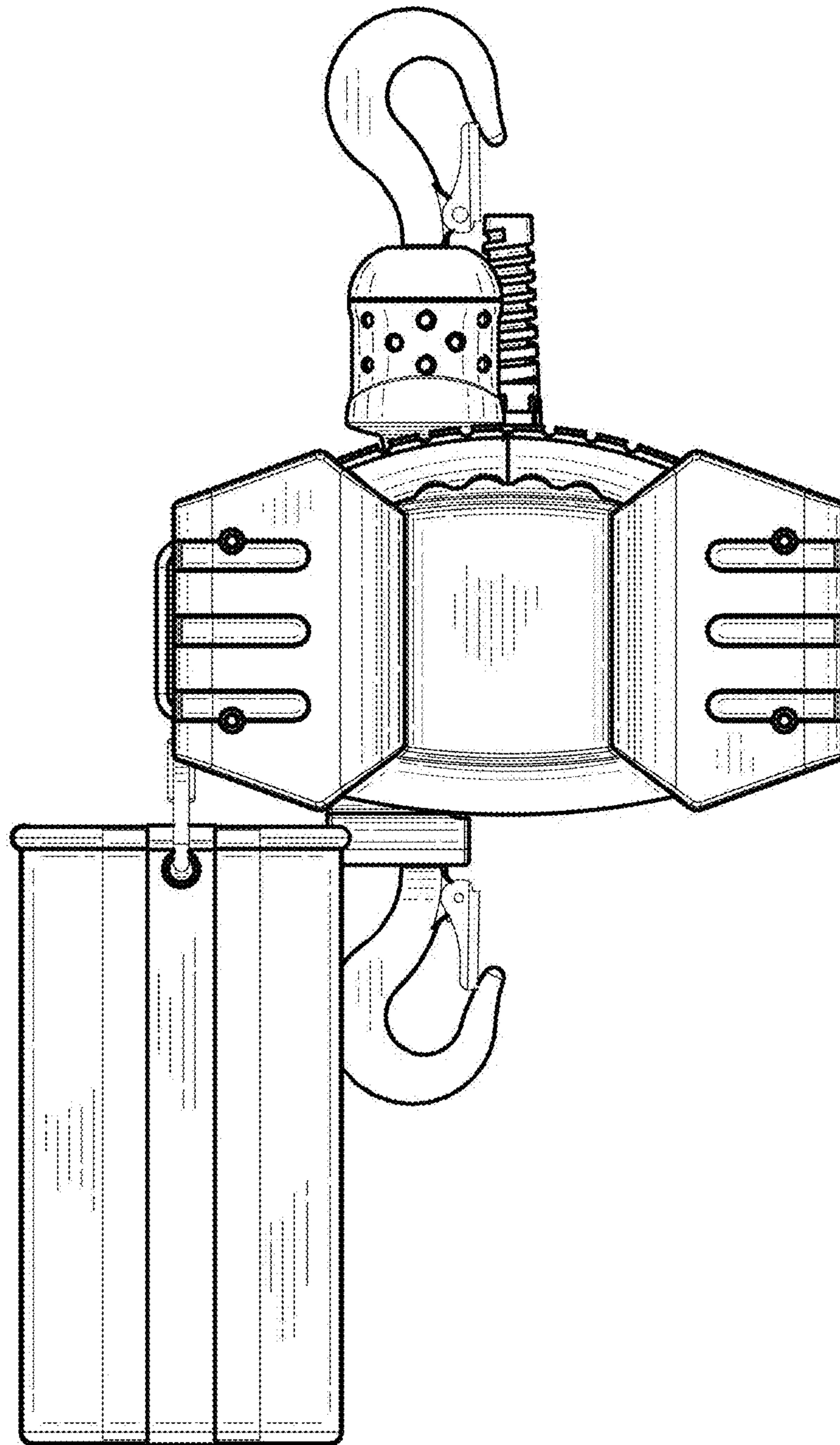


FIG. 4

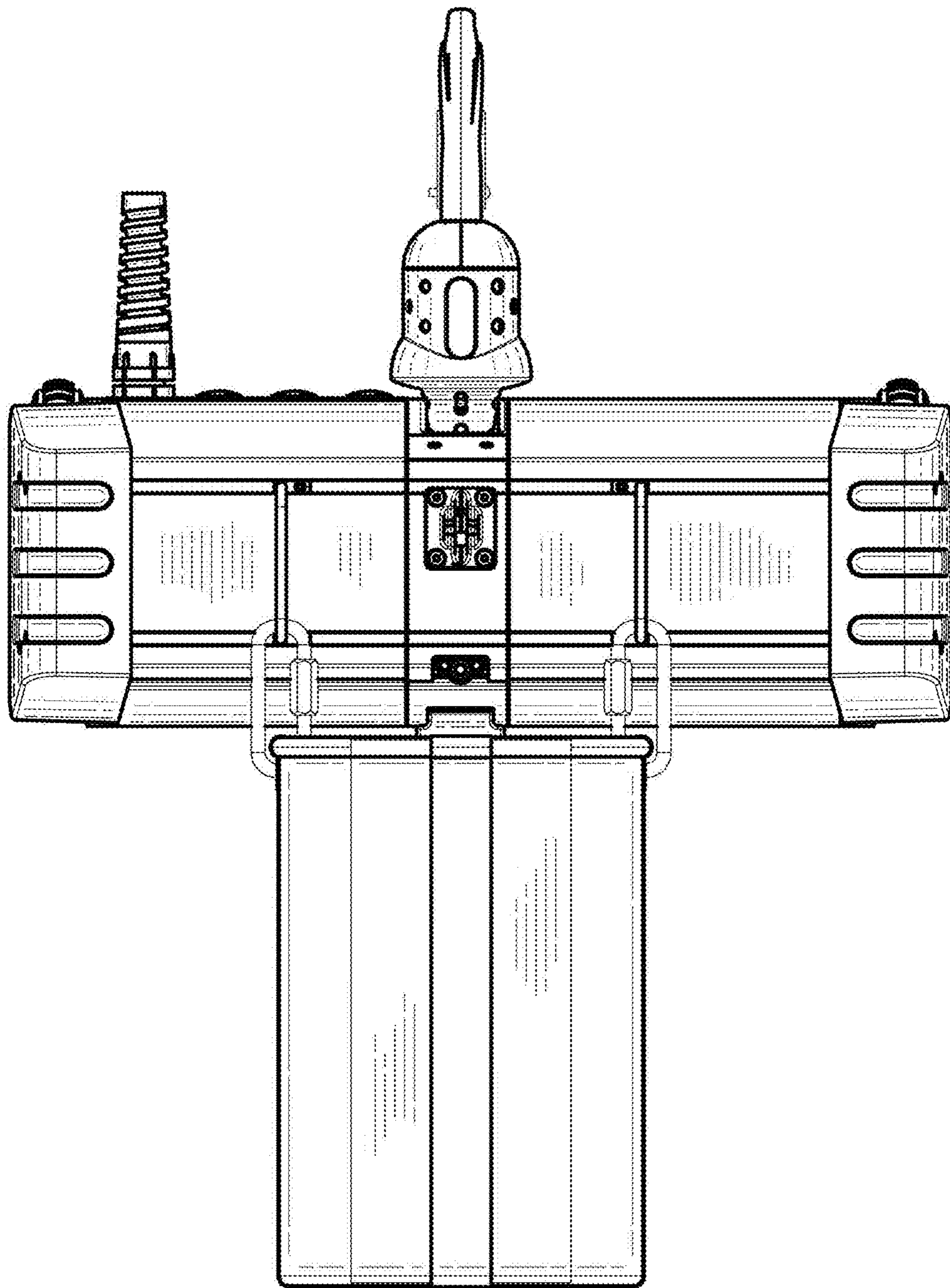


FIG. 5

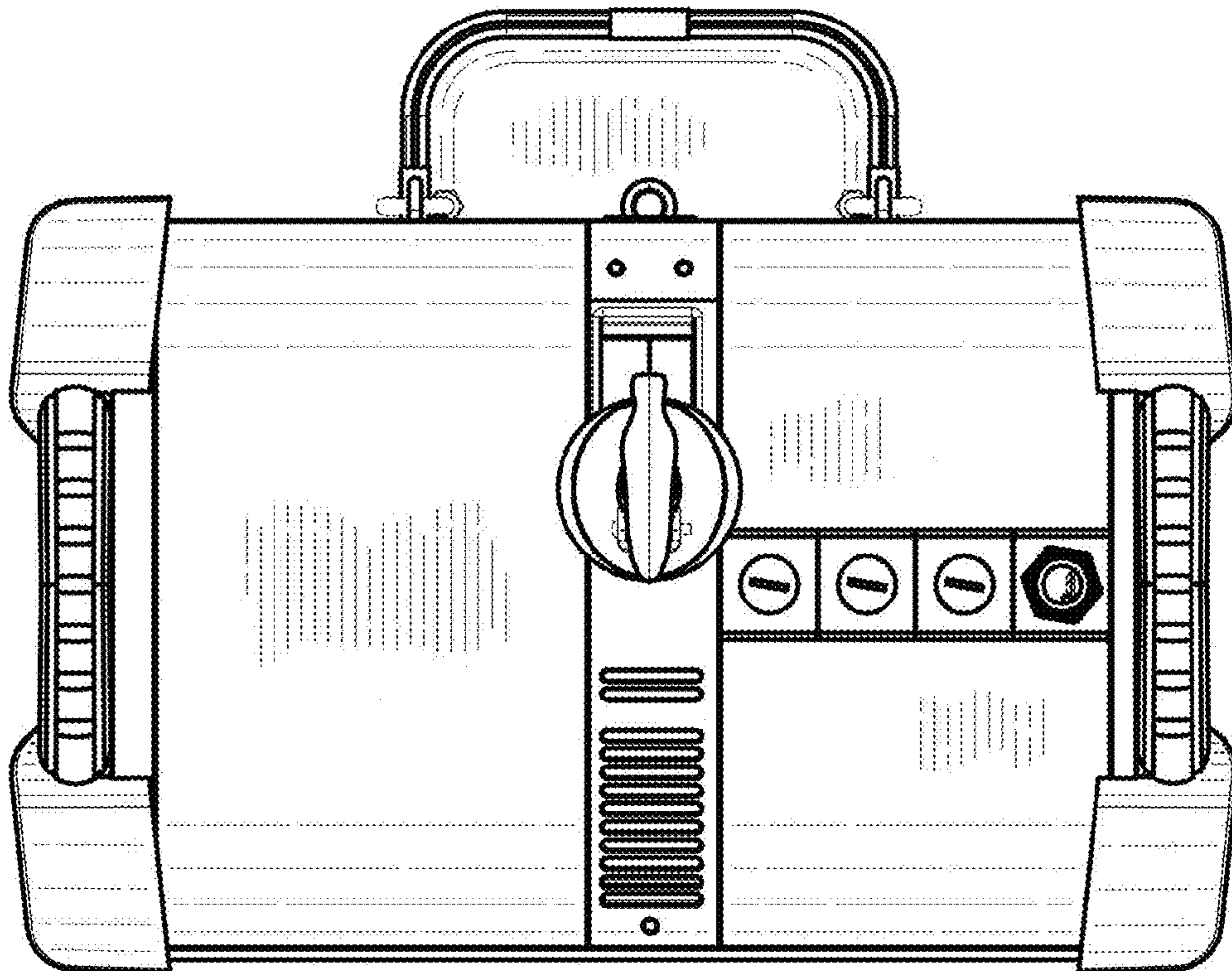


FIG. 6

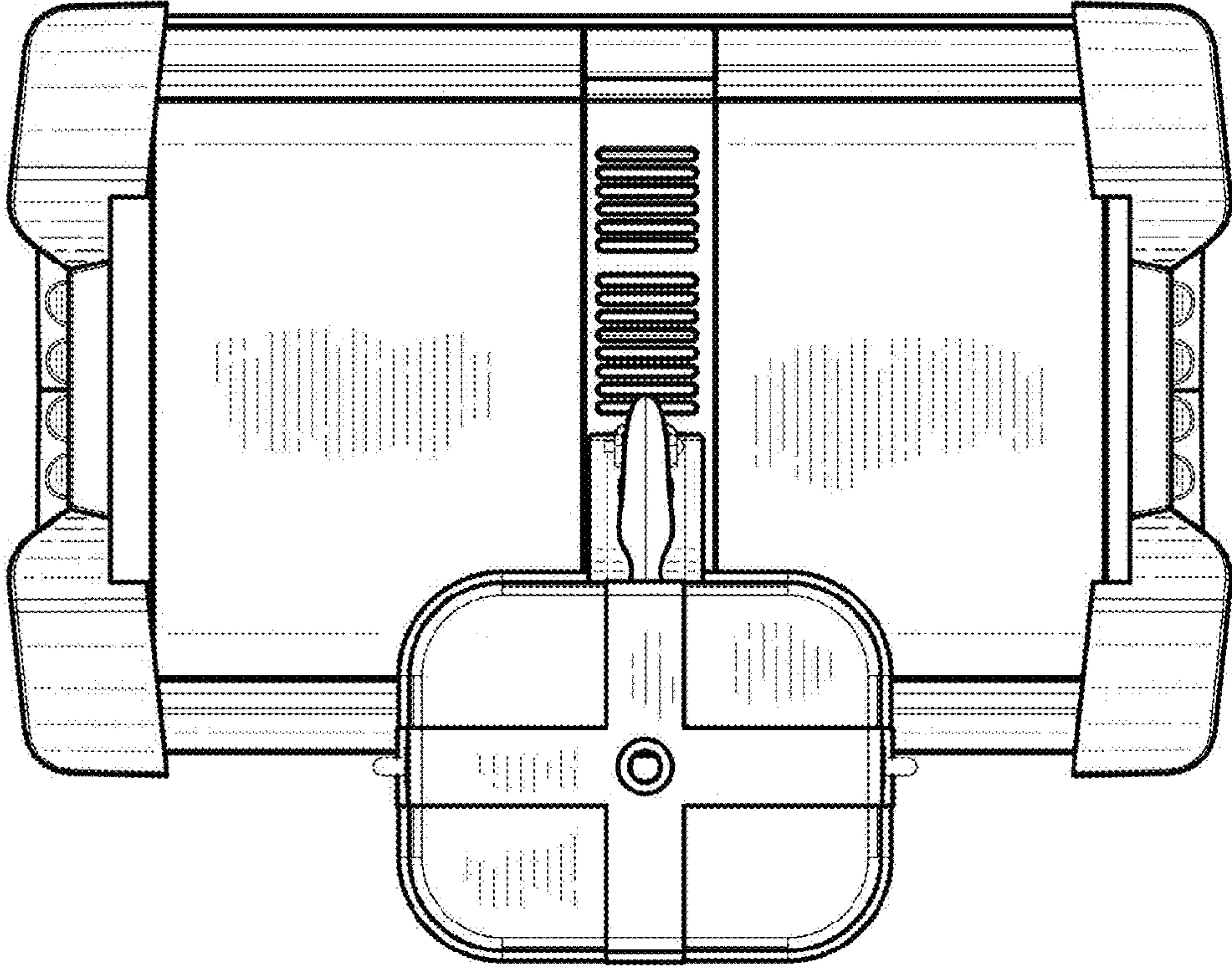


FIG. 7