



US00D705511S

(12) **United States Design Patent**
Jacobsen et al.

(10) **Patent No.:** **US D705,511 S**

(45) **Date of Patent:** **** May 20, 2014**

(54) **SCRAPING DEVICE**

(75) Inventors: **John Jacobsen**, Brooklyn, NY (US);
Jessica Fugler, Brooklyn, NY (US)

(73) Assignee: **Quirky, Inc.**, New York, NY (US)

(**) Term: **14 Years**

(21) Appl. No.: **29/410,753**

(22) Filed: **Jan. 11, 2012**

(51) **LOC (10) Cl.** **08-05**

(52) **U.S. Cl.**
USPC **D32/46; D32/49**

(58) **Field of Classification Search**
USPC D32/46, 49; D8/14, 45, 46, 47, 105, 98,
D8/90; D7/682; 30/169, 167, 278, 280,
30/287; 15/105, 236.01–236.09, 245.1;
D4/136; 7/105

See application file for complete search history.

(56) **References Cited**

U.S. PATENT DOCUMENTS

D4,001 S *	4/1870	Oblinger	D32/49
1,598,420 A *	8/1926	Brossett	7/105
2,018,573 A *	10/1935	Richardson et al.	81/25
5,255,575 A *	10/1993	Williams	81/25
5,263,222 A	11/1993	Johnstone, II		
D377,251 S *	1/1997	Mitchell	D32/49
5,680,668 A *	10/1997	Kim	15/236.02
D500,644 S *	1/2005	Cavanaugh	D7/696

D557,578 S *	12/2007	Miller et al.	D8/45
D575,516 S *	8/2008	Daniels	D4/118
D670,881 S *	11/2012	Tonge	D32/49
D672,106 S *	12/2012	Lee	D32/49
D690,182 S *	9/2013	Cridlebaugh	D8/81
2012/0180226 A1 *	7/2012	Pedersen	7/144

* cited by examiner

Primary Examiner — John Windmuller

(74) *Attorney, Agent, or Firm* — Cooley LLP

(57) **CLAIM**

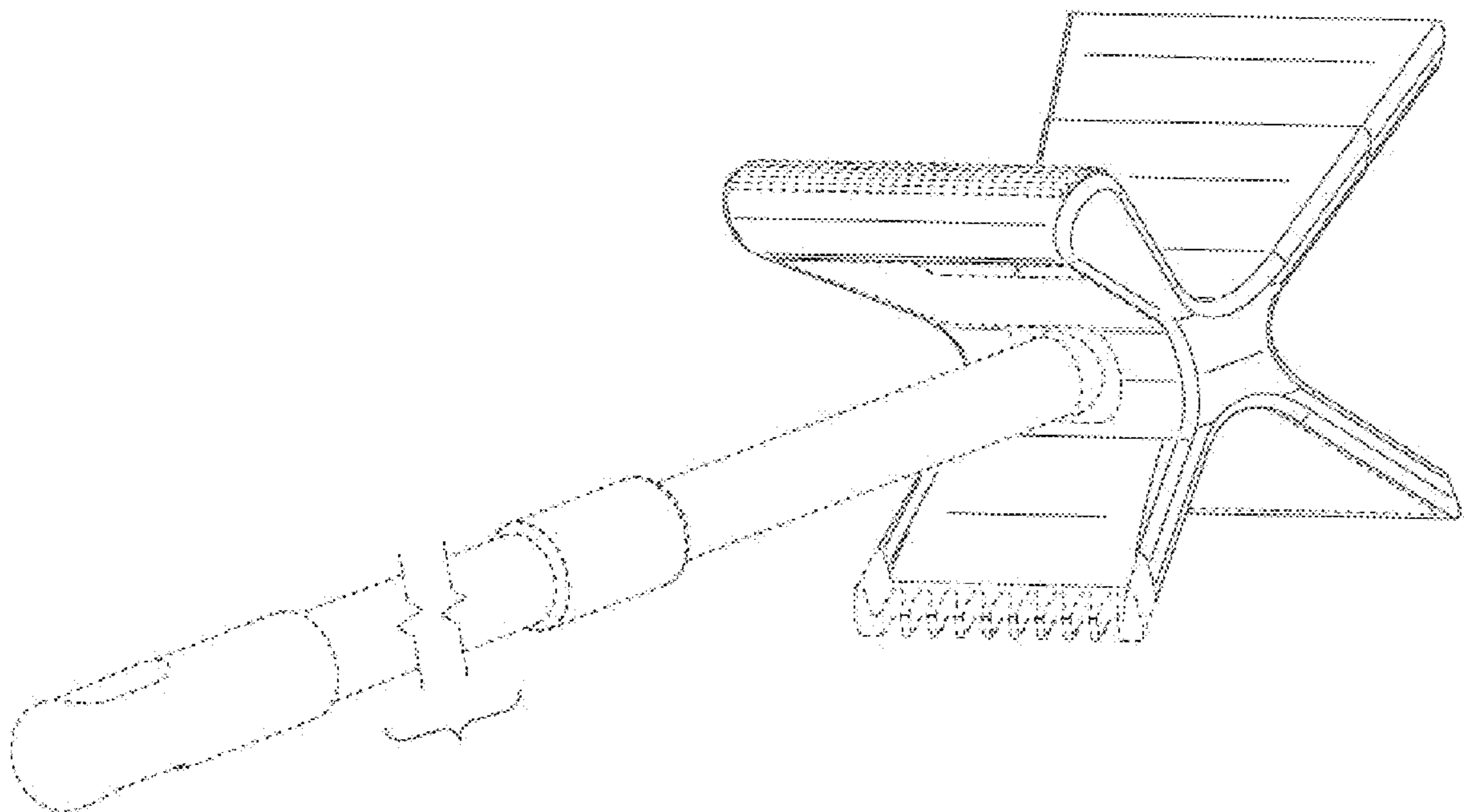
The ornamental design for a scraping device, as shown and described.

DESCRIPTION

FIG. 1 is a perspective view of a scraping device showing our new design;
FIG. 2 is a front view thereof;
FIG. 3 is a rear view thereof;
FIG. 4 is a top view thereof;
FIG. 5 is a bottom view thereof;
FIG. 6 is a right side view thereof; and,
FIG. 7 is a left side view thereof.

The broken lines immediately adjacent the shaded areas represent the bounds of the claimed design while all other broken lines are directed to environment and are for illustrative purposes only; the broken lines form no part of the claimed design.

1 Claim, 6 Drawing Sheets



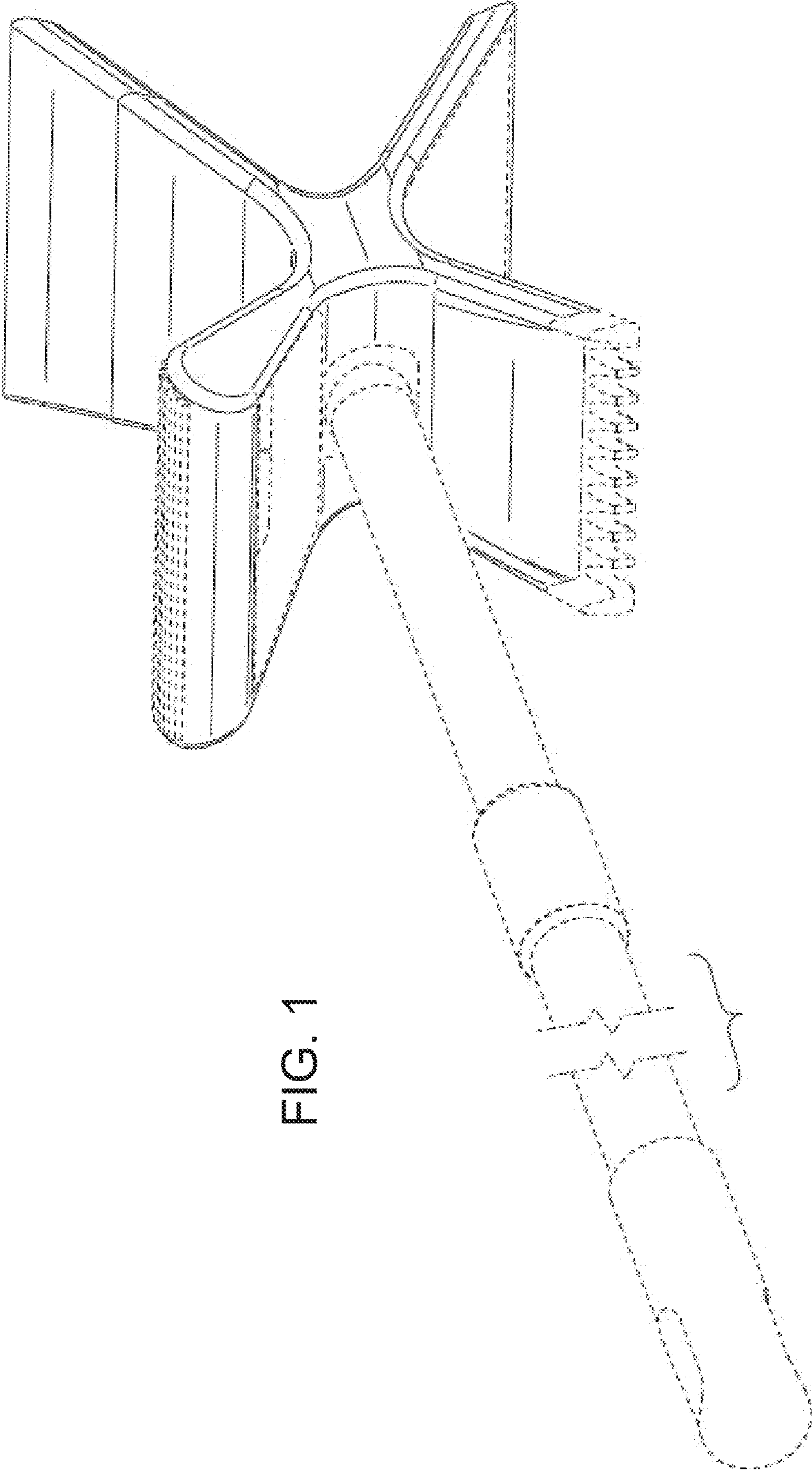
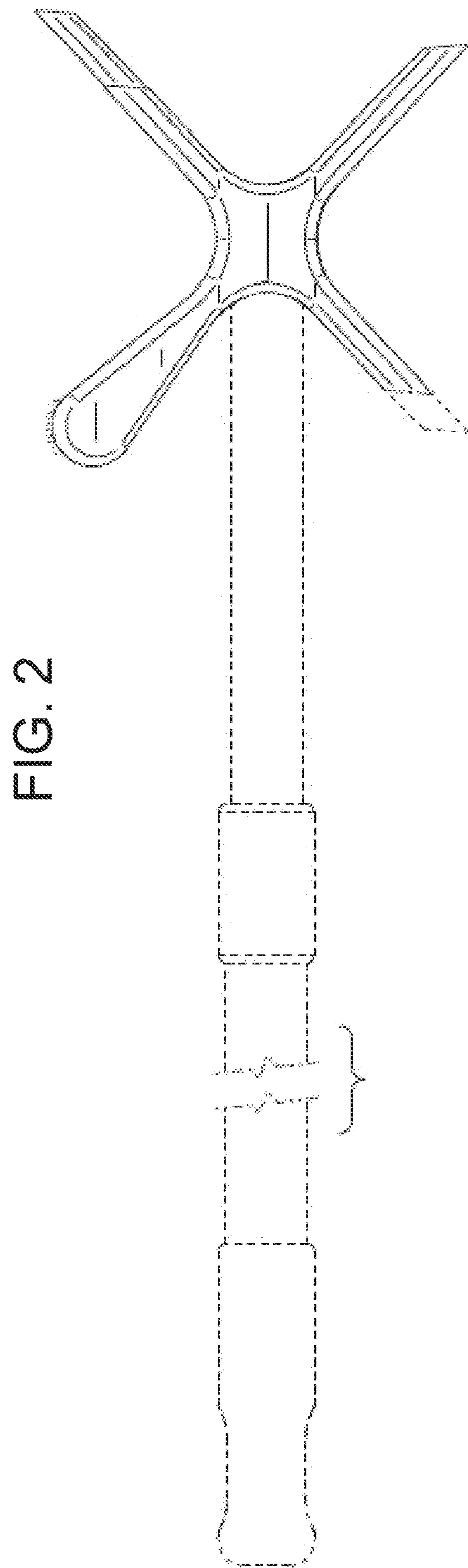


FIG. 1



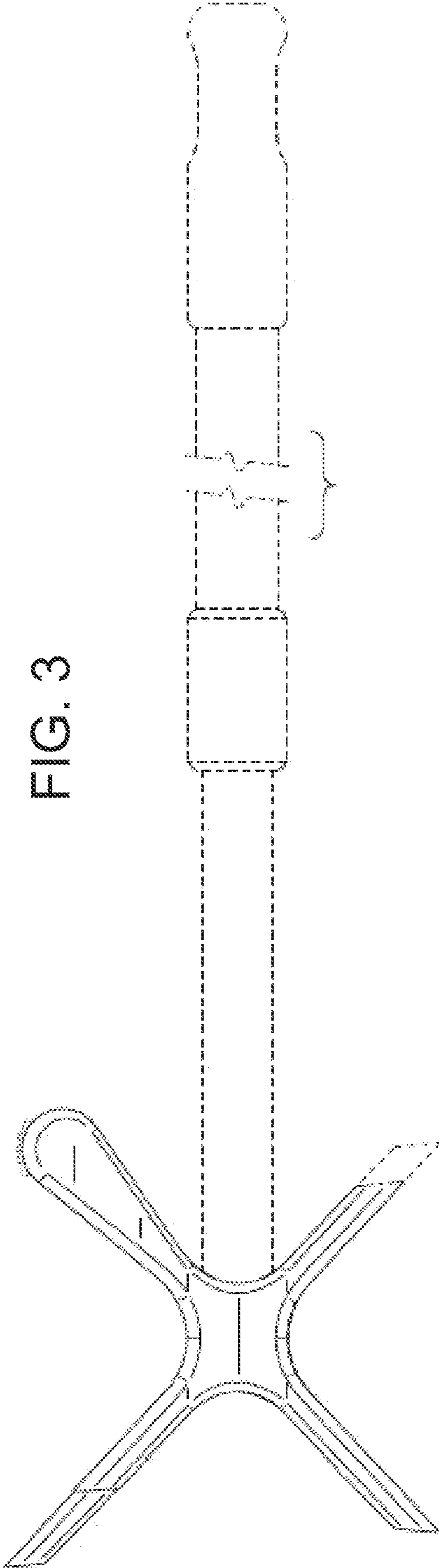
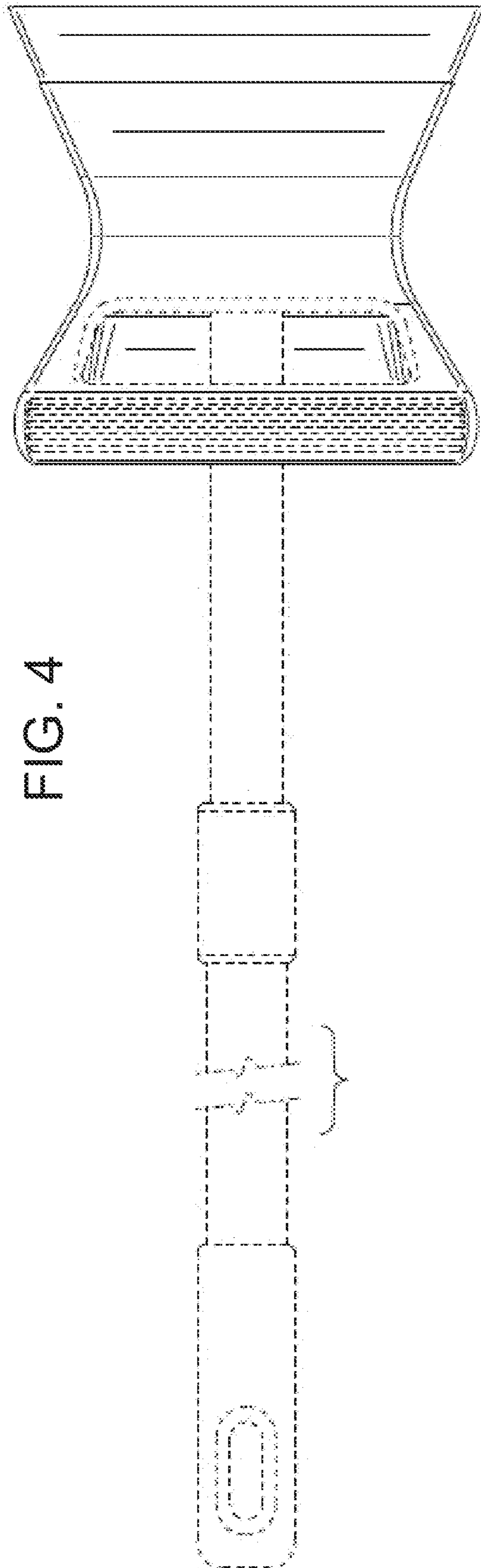


FIG. 3



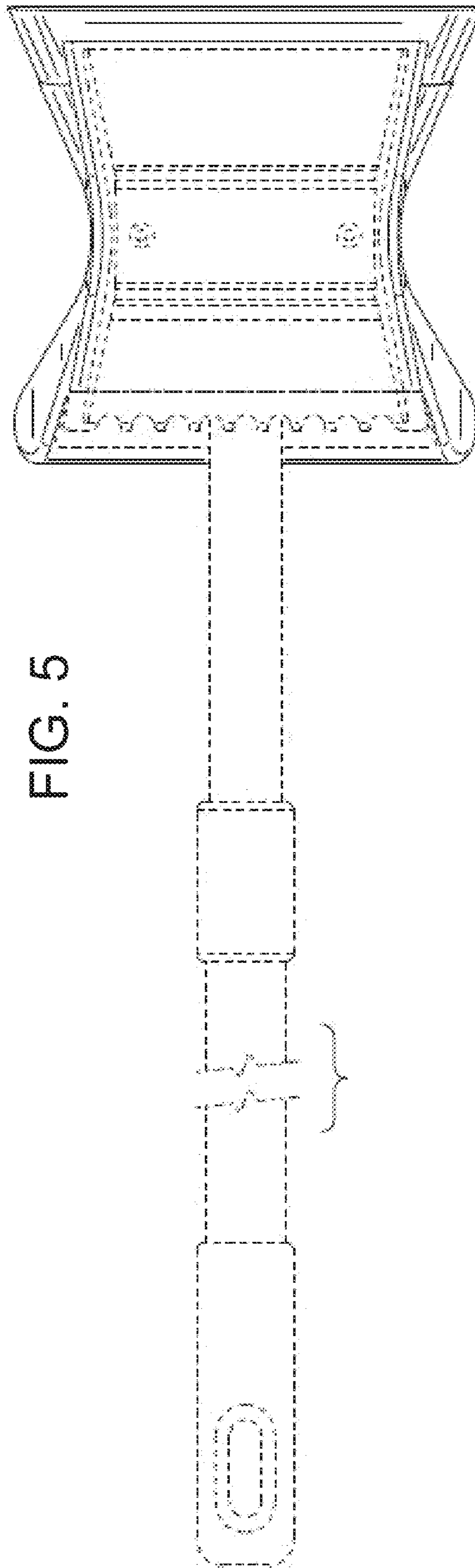


FIG. 7

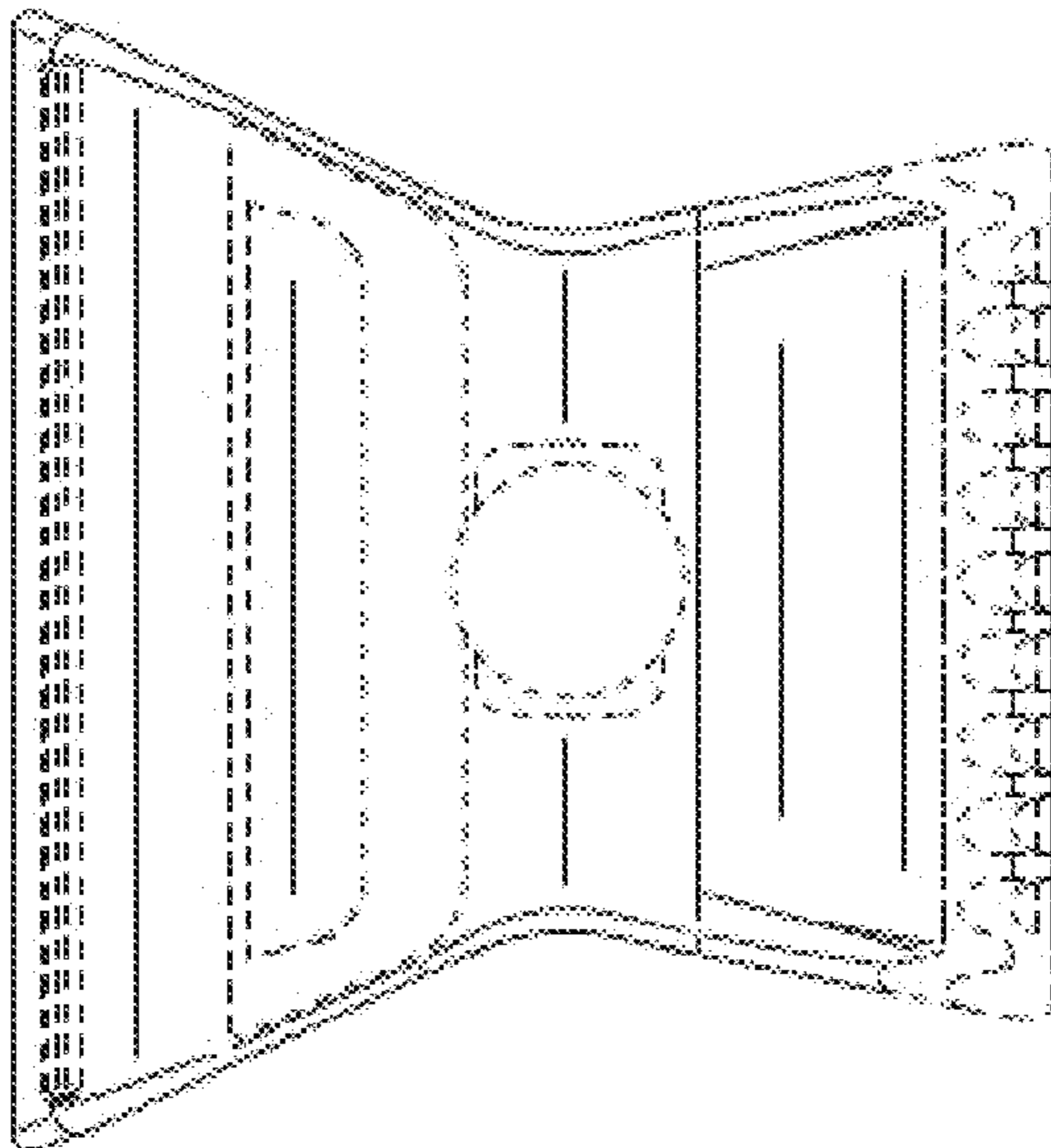


FIG. 6

