

US00D705508S

(12) **United States Design Patent**
Calmeise

(10) **Patent No.:** **US D705,508 S**
(45) **Date of Patent:** **** May 20, 2014**

- (54) **TOP FOR AN APPLIANCE**
- (71) Applicant: **General Electric Company**,
Schenectady, NY (US)
- (72) Inventor: **Randall Winfield Calmeise**, Louisville,
KY (US)
- (73) Assignee: **General Electric Company**,
Schenectady, NY (US)
- (**) Term: **14 Years**
- (21) Appl. No.: **29/470,389**
- (22) Filed: **Oct. 21, 2013**

D526,453 S	8/2006	Jun	
D527,150 S	8/2006	Jun	
D538,488 S	3/2007	Carey et al.	
D542,487 S	5/2007	Jun	
D554,307 S	10/2007	Kim	
D575,012 S	8/2008	Rossetto	
7,730,749 B2	6/2010	Yun et al.	
D620,656 S *	7/2010	Bixby et al.	D32/25
D621,563 S *	8/2010	Bixby et al.	D32/25
D631,215 S	1/2011	Song et al.	
D632,033 S	2/2011	Song et al.	
D633,261 S	2/2011	Song et al.	
D648,084 S *	11/2011	Browne et al.	D32/28
D648,085 S *	11/2011	Miller et al.	D32/28
D648,497 S *	11/2011	Bhattacharya	D32/28
D654,640 S	2/2012	Song et al.	
D679,462 S	4/2013	Zhang et al.	
D694,965 S *	12/2013	Lee et al.	D32/6
2007/0107471 A1	5/2007	Zacccone et al.	

(Continued)

Related U.S. Application Data

- (62) Division of application No. 29/441,519, filed on Jan. 7, 2013, now Pat. No. Des. 695,474.
- (51) **LOC (10) Cl.** **15-05**
- (52) **U.S. Cl.**
USPC **D32/28**
- (58) **Field of Classification Search**
USPC D32/1, 5-6, 8-10, 25, 28; 68/3 R, 5 R,
68/12.01, 12.07, 12.08, 212; 34/87-88,
34/523-524
See application file for complete search history.

Primary Examiner — T. Chase Nelson
Assistant Examiner — Kathleen M Sims
(74) *Attorney, Agent, or Firm* — Dority & Manning, P.A.

(57) **CLAIM**

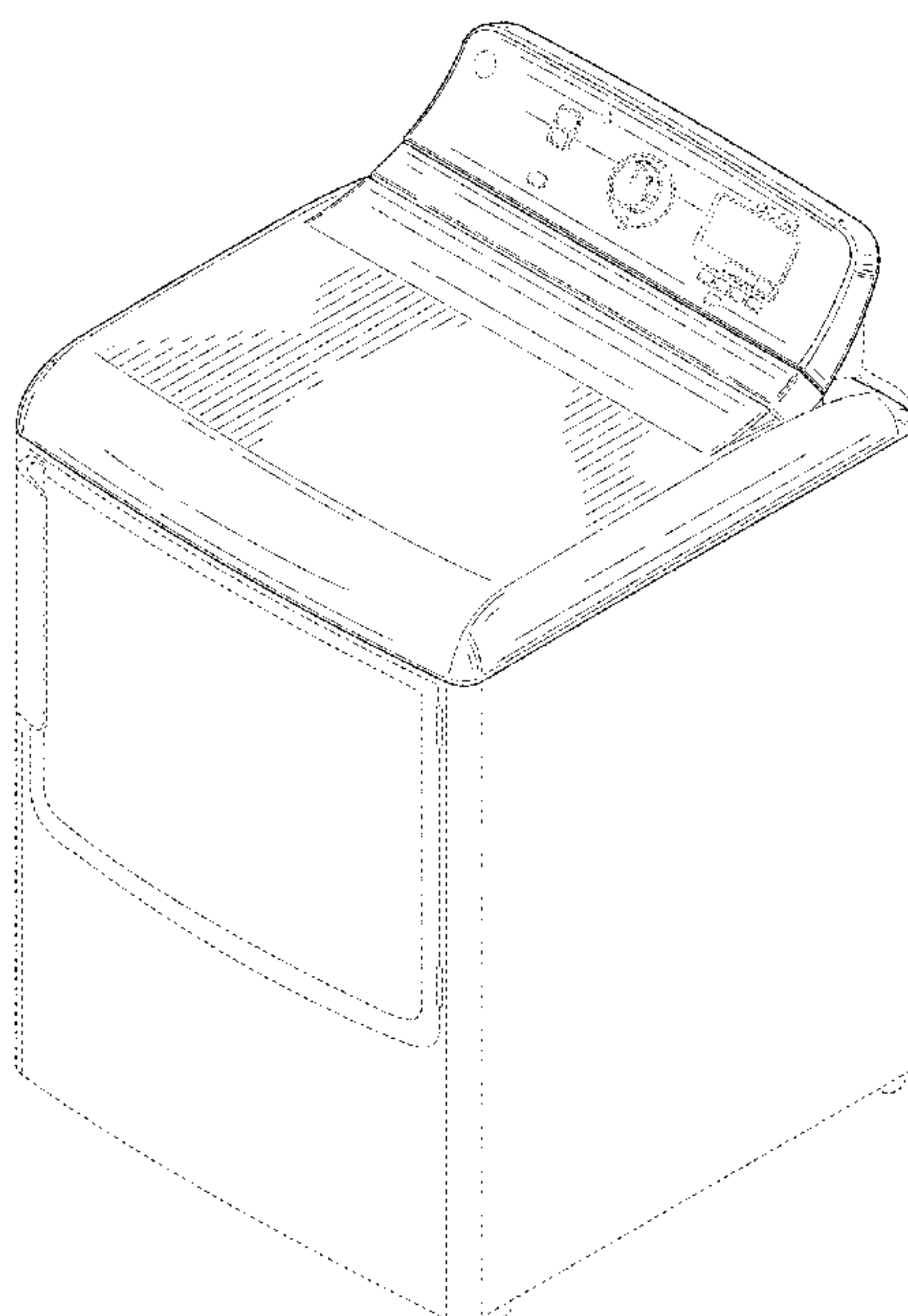
The ornamental design for a top for an appliance, as shown and described.

DESCRIPTION

FIG. 1 is a perspective view of a top for an appliance showing our new design.
FIG. 2 is a front view of a top for an appliance.
FIG. 3 is a side view of a top for an appliance.
FIG. 4 is another side view of a top for an appliance; and,
FIG. 5 is a top view of a top for an appliance.
In the drawings, the cabinet for a dryer in FIGS. 1 through 5 are shown in dashed lines to depict environmental structure and form no part of the claimed design.

1 Claim, 5 Drawing Sheets

- (56) **References Cited**
U.S. PATENT DOCUMENTS
- | | | |
|-------------|---------|-----------------|
| D233,470 S | 10/1974 | Hall |
| 5,437,168 A | 8/1995 | Mason et al. |
| D374,954 S | 10/1996 | Katz et al. |
| D465,308 S | 11/2002 | Resuello et al. |
| D489,496 S | 5/2004 | Sneddon |
| D524,494 S | 7/2006 | Kim et al. |



(56)

References Cited

U.S. PATENT DOCUMENTS

2011/0308281 A1 12/2011 Yu et al.

2013/0239626 A1* 9/2013 Ekbundit 68/3 R
2013/0255330 A1* 10/2013 Chupka et al. 68/212

* cited by examiner



FIG. 1

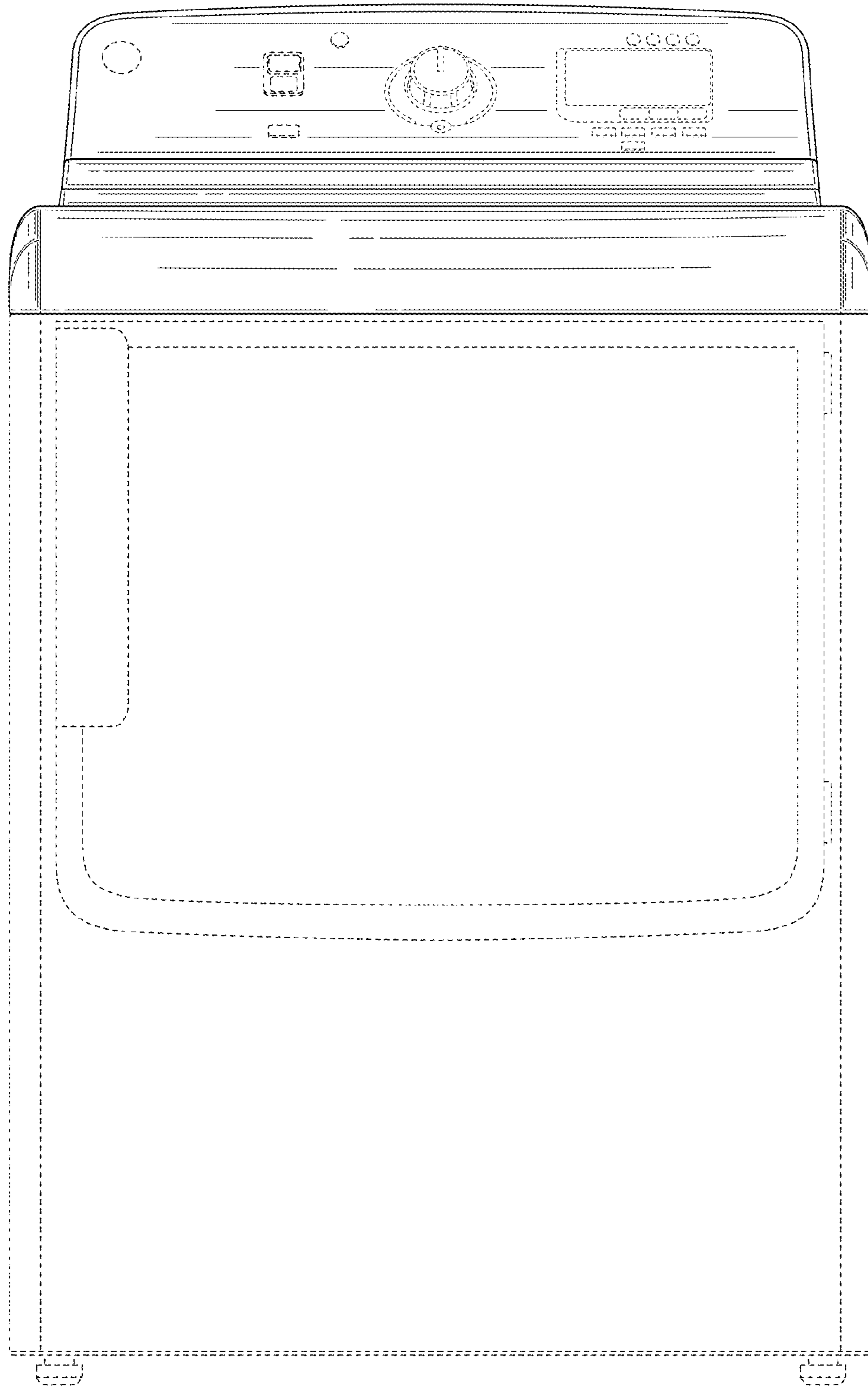


FIG. 2

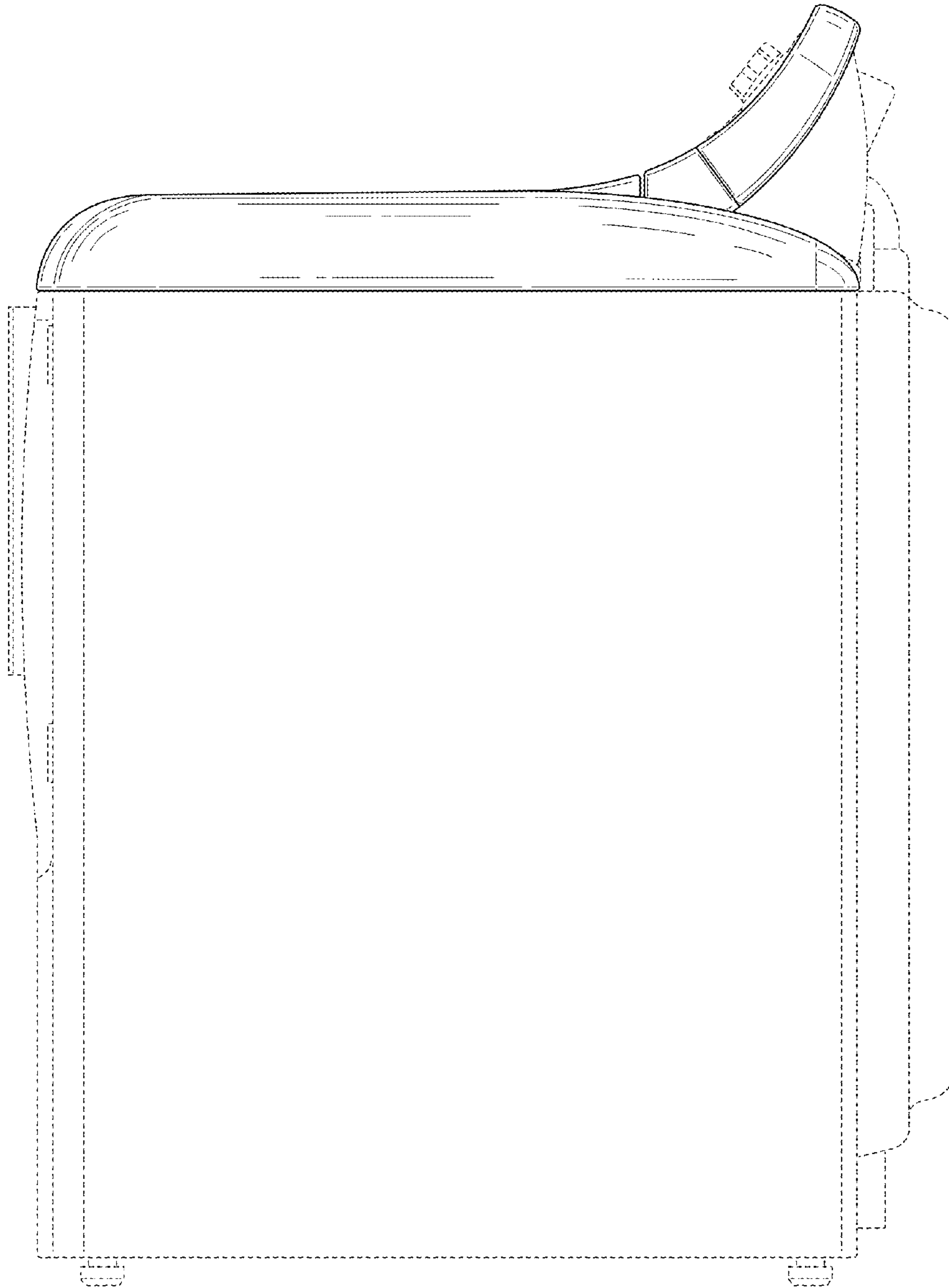


FIG. 3

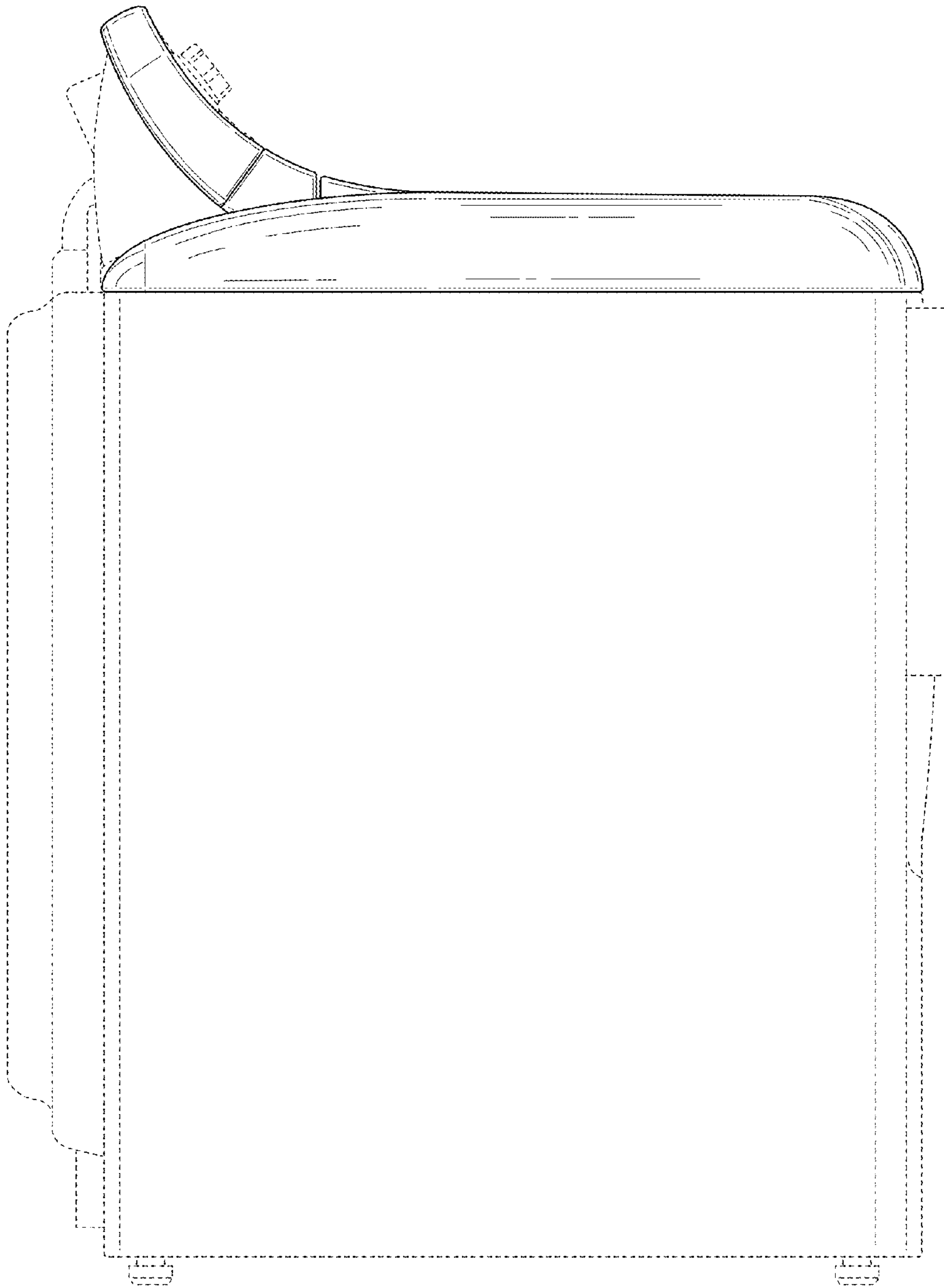


FIG. 4

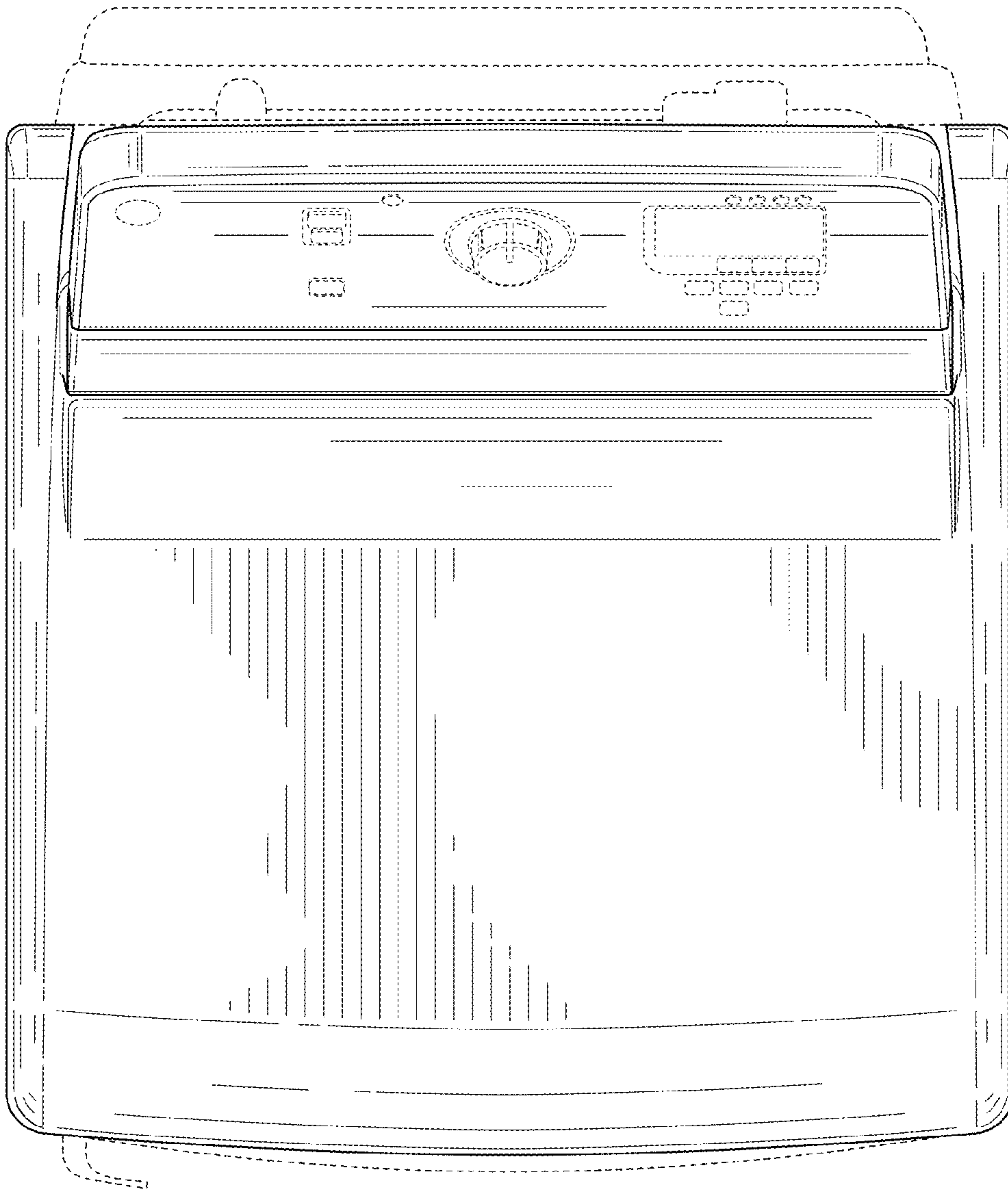


FIG. 5