



US00D705505S

(12) **United States Design Patent**
Ha et al.

(10) **Patent No.:** **US D705,505 S**
(45) **Date of Patent:** **** May 20, 2014**

(54) **WASHING MACHINE**

(56) **References Cited**

(71) Applicant: **LG Electronics Inc.**, Seoul (KR)

U.S. PATENT DOCUMENTS

(72) Inventors: **Youngsoo Ha**, Seoul (KR); **Jonghee Han**, Gyeonggi-do (KR); **Jeaseok Seong**, Gyeonggi-do (KR); **On Kim**, Seoul (KR); **Hyerim An**, Seoul (KR); **Kyungah Lee**, Gyeonggi-do (KR)

D642,753	S	*	8/2011	Ha	D32/6
8,056,172	B2	*	11/2011	Schneider et al.	8/159
D653,006	S	*	1/2012	Takahashi	D32/6
D658,340	S	*	4/2012	Jeon et al.	D32/6
D682,492	S	*	5/2013	Chung et al.	D32/6
D683,088	S	*	5/2013	Chung et al.	D32/6
8,555,676	B2	*	10/2013	Beck et al.	68/3 R
2010/0058611	A1	*	3/2010	Neumann	34/487
2013/0014546	A1	*	1/2013	Kobayashi et al.	68/212

(73) Assignee: **LG Electronics Inc.**, Seoul (KR)

* cited by examiner

(**) Term: **14 Years**

Primary Examiner — T. Chase Nelson

Assistant Examiner — Kathleen M Sims

(21) Appl. No.: **29/462,877**

(74) *Attorney, Agent, or Firm* — Morgan, Lewis & Bockius LLP

(22) Filed: **Aug. 9, 2013**

(57) **CLAIM**

The ornamental design for a washing machine, as shown and described.

(30) **Foreign Application Priority Data**

DESCRIPTION

Apr. 18, 2013 (KR) 30-2013-0020387

(51) **LOC (10) Cl.** **15-05**

(52) **U.S. Cl.**
USPC **D32/25**

(58) **Field of Classification Search**
USPC D32/1-2, 5-10, 25; 68/3 R, 4, 5 R,
68/12.01, 12.07-12.08, 212; 34/58,
34/87-88, 108, 130-131, 523-524, 595,
34/597

FIG. 1 is a perspective view of a washing machine showing our new design;

FIG. 2 is a front view thereof;

FIG. 3 is a rear view thereof;

FIG. 4 is a left side view thereof;

FIG. 5 is a right side view thereof;

FIG. 6 is a top plan view thereof; and,

FIG. 7 is a bottom plan view thereof.

The dashed broken lines are for illustrative purposes only and form no part of the claimed design. The dash-dot broken lines define the bounds of the claimed design and form no part thereof.

See application file for complete search history.

1 Claim, 7 Drawing Sheets

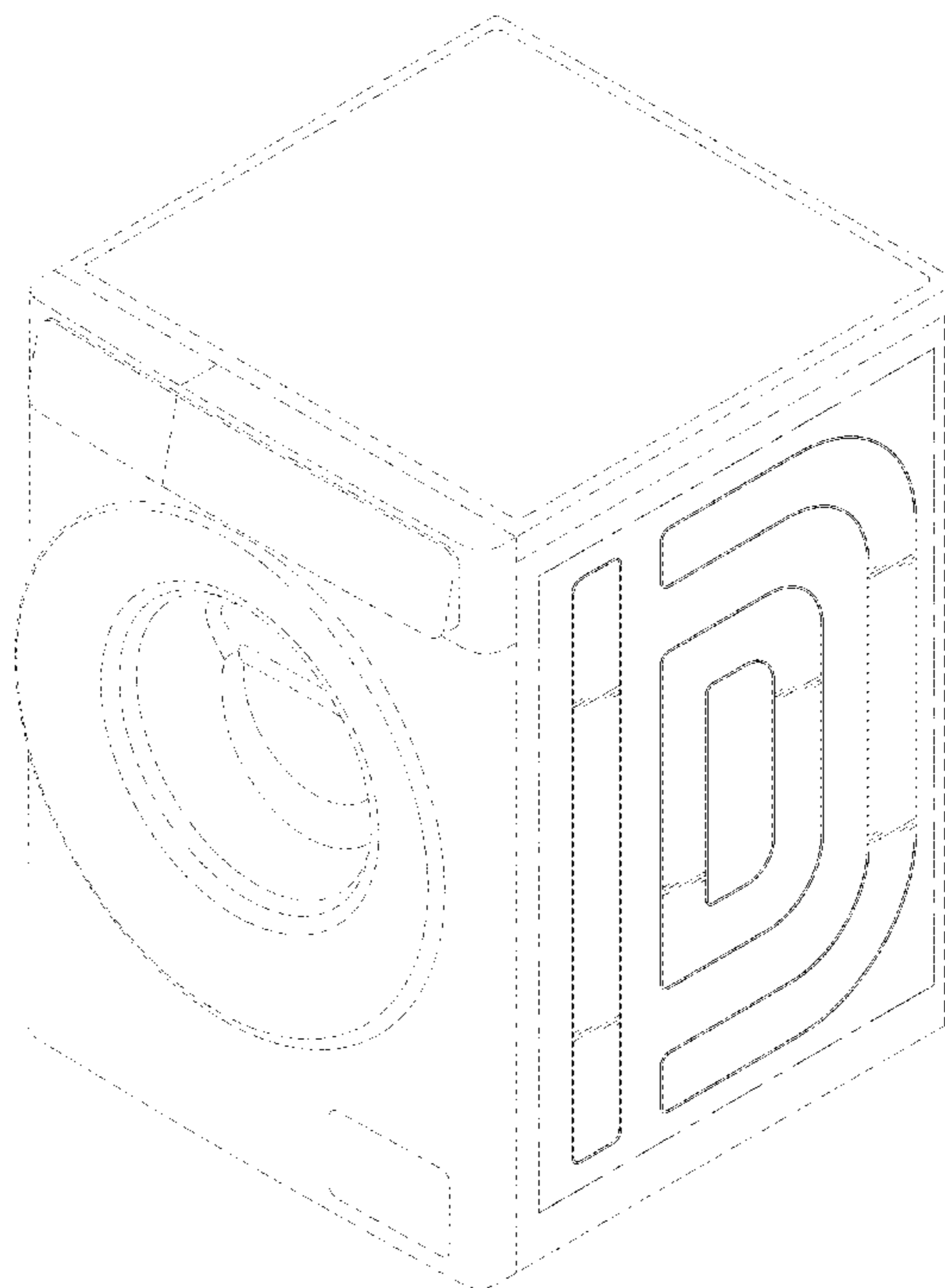


FIG. 1

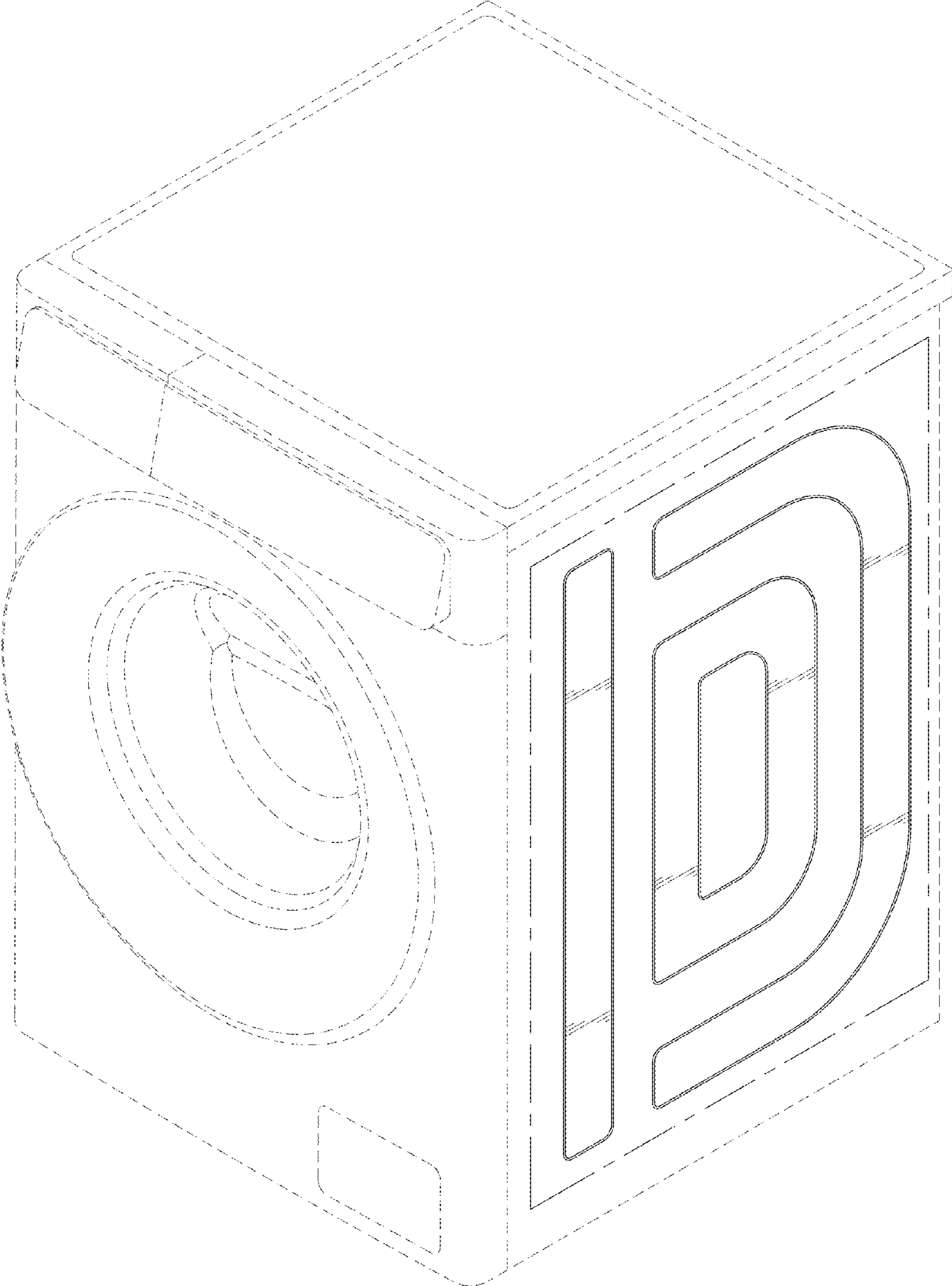


FIG. 2

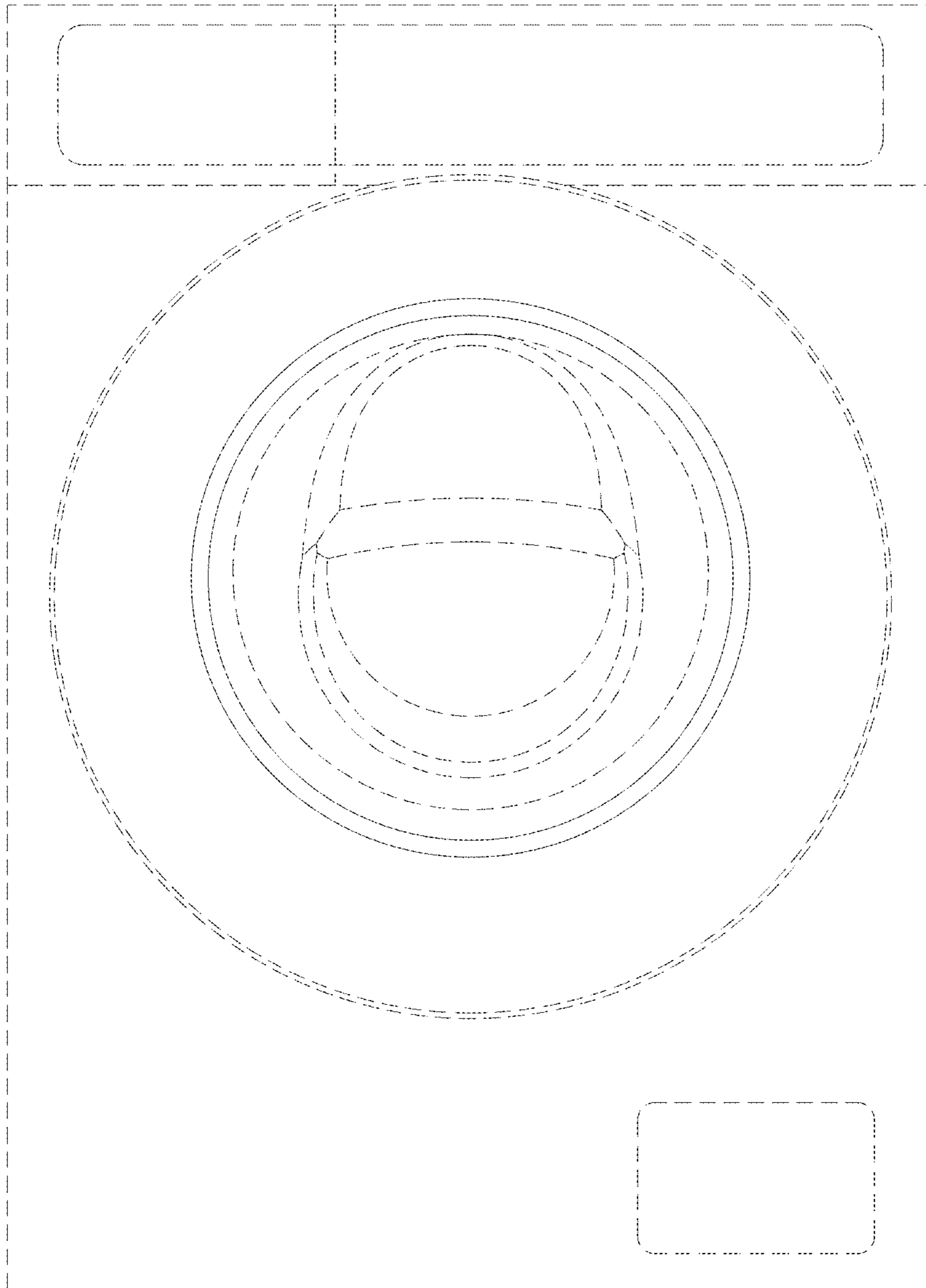


FIG. 3



FIG. 4

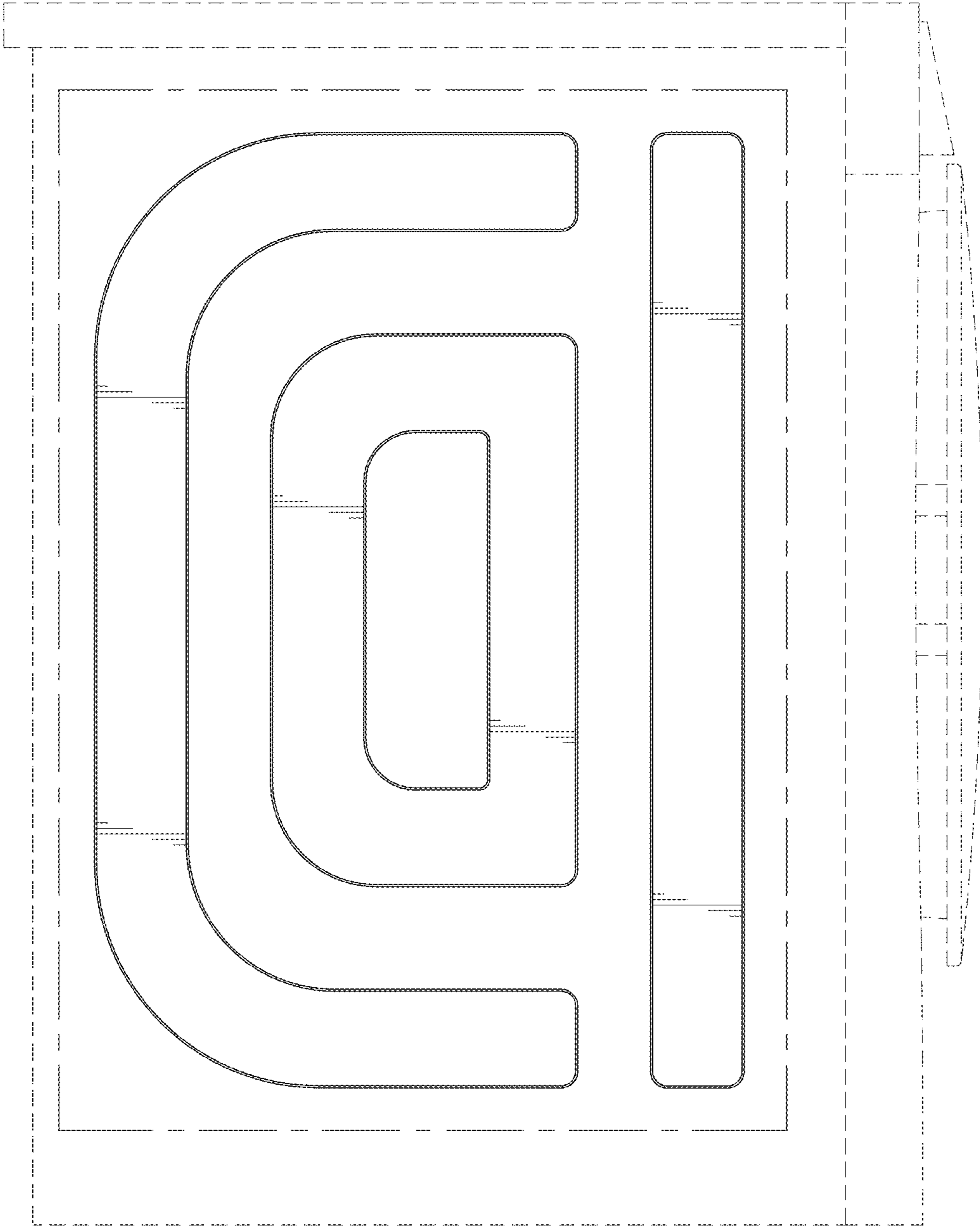


FIG. 5

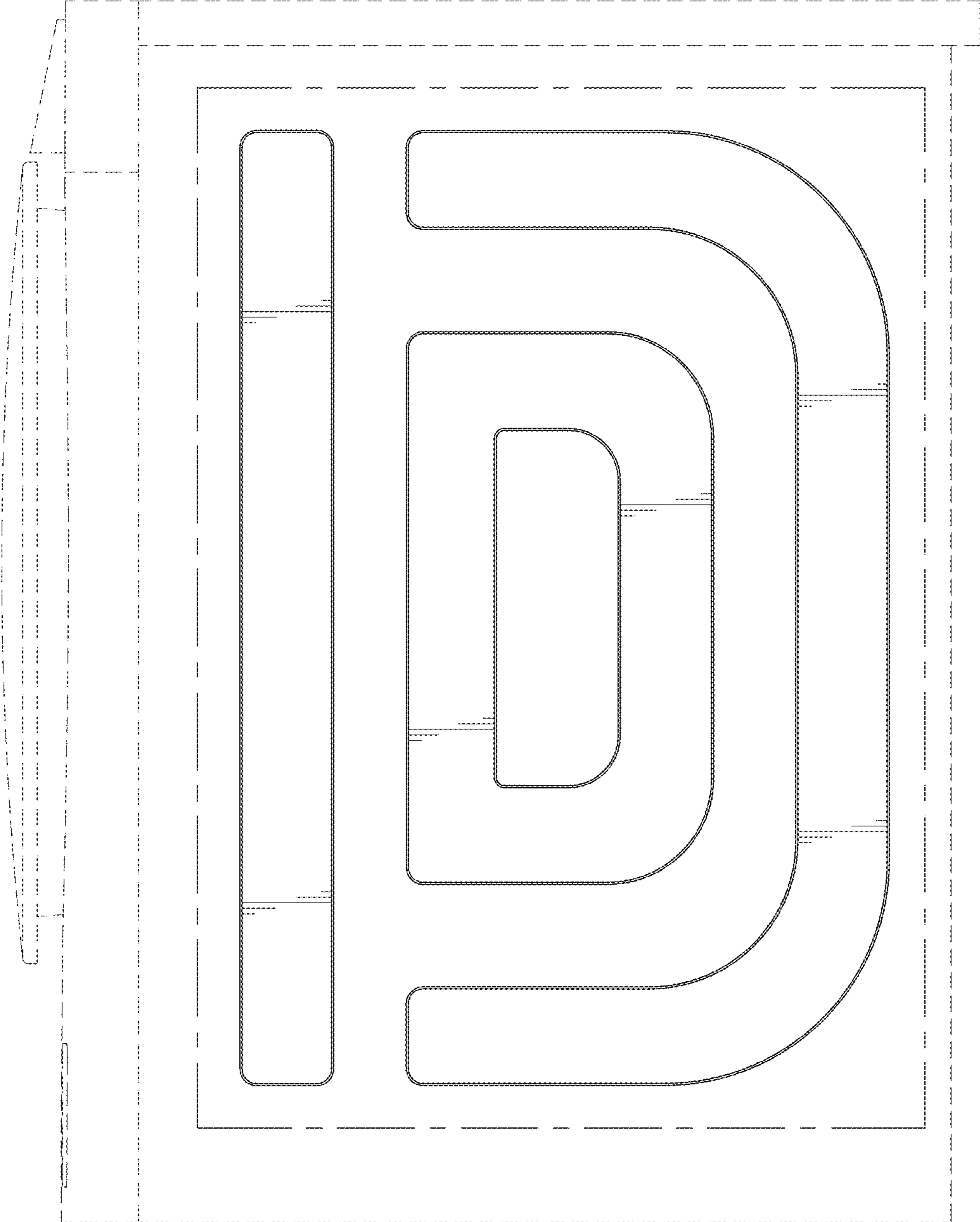


FIG. 6

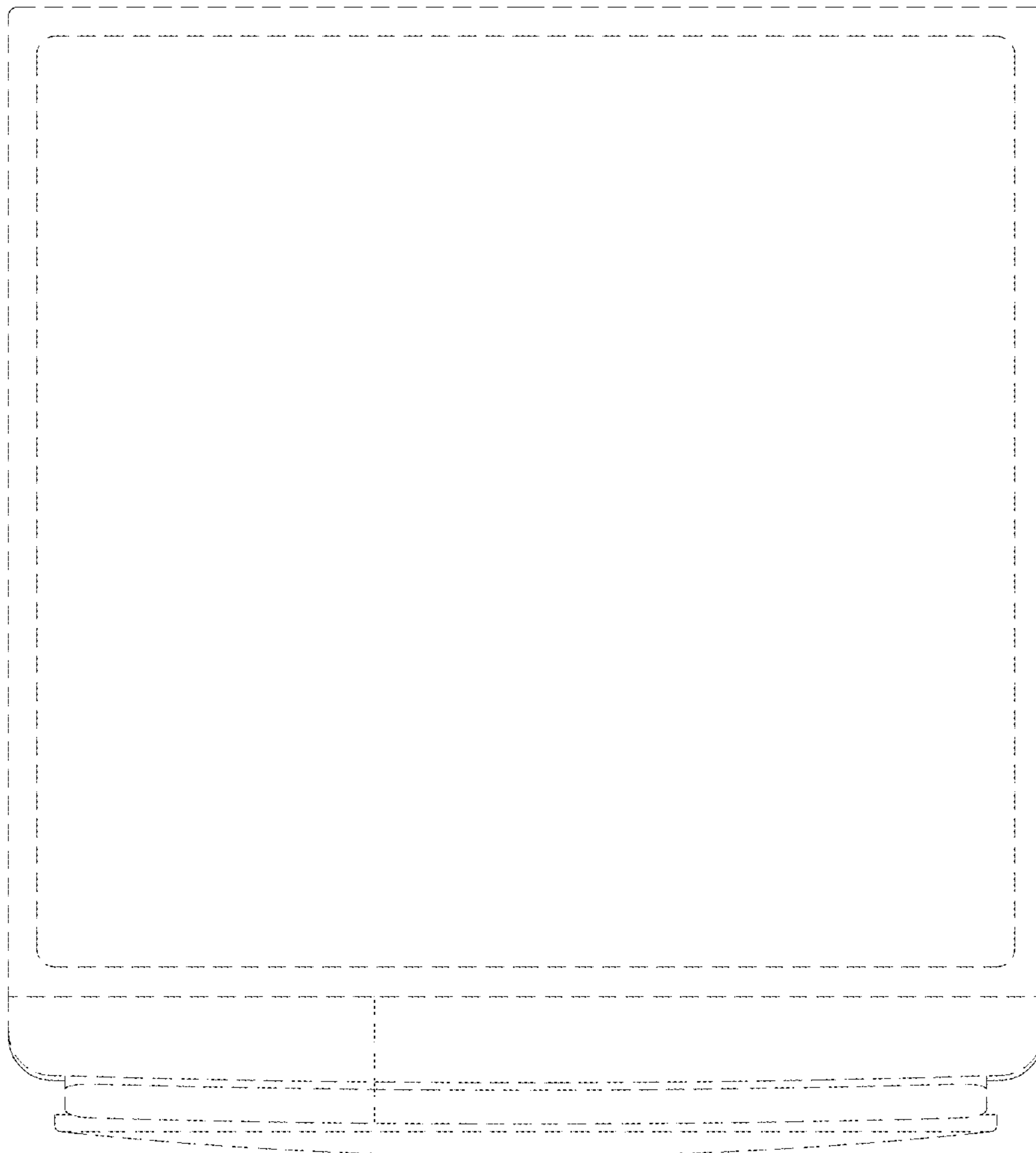


FIG. 7

