



US00D705503S

(12) **United States Design Patent**  
**Brask**

(10) **Patent No.:** **US D705,503 S**

(45) **Date of Patent:** **\*\* May 20, 2014**

(54) **HOOF DRESSING TOOL**

(71) Applicant: **Mora of Sweden AB**, Mora (SE)

(72) Inventor: **Pär Brask**, Mora (SE)

(73) Assignee: **Mora of Sweden AB**, Mora (SE)

(\*\*) Term: **14 Years**

(21) Appl. No.: **29/437,574**

(22) Filed: **Nov. 19, 2012**

(30) **Foreign Application Priority Data**

May 21, 2012 (EM) ..... 002044370-0002

(51) **LOC (10) Cl.** ..... **30-99**

(52) **U.S. Cl.**  
USPC ..... **D30/158**; D8/105; D8/107

(58) **Field of Classification Search**  
USPC ..... D30/158, 199; D8/98, 99, 100, 105,  
D8/107, 303; 168/45, 46, 47, 48.1, 48.2;  
30/152, 320, 339, 151; 7/118-120,  
7/102, 114, 158, 162, 170; 279/79;  
362/120  
See application file for complete search history.

(56) **References Cited**

**U.S. PATENT DOCUMENTS**

274,570	A *	3/1883	Davis	168/48.1
516,671	A *	3/1894	Wedekind	279/79
541,793	A *	6/1895	Schenck	7/118
544,540	A *	8/1895	Jones	168/45
567,493	A *	9/1896	McCartea	168/45
664,175	A *	12/1900	Polchow	30/320
4,187,607	A *	2/1980	Simuro et al.	30/152
D311,854	S *	11/1990	Wilson et al.	D8/98
5,176,222	A *	1/1993	Tippin	168/48.1

5,636,697	A *	6/1997	Pitchford	168/48.1
D381,474	S *	7/1997	Dalton	D30/158
D389,030	S *	1/1998	Wensley	D8/107
6,176,319	B1 *	1/2001	Ehrmann	168/48.1
D473,778	S *	4/2003	Hsu	D8/99
D476,545	S *	7/2003	Gamble	D8/100
7,500,314	B2 *	3/2009	Luber	30/339
2012/0176775	A1 *	7/2012	Glunz et al.	362/120

\* cited by examiner

*Primary Examiner* — Caron D Veynar

*Assistant Examiner* — Martie K Holtje

(74) *Attorney, Agent, or Firm* — Dilworth & Barrese, LLP.

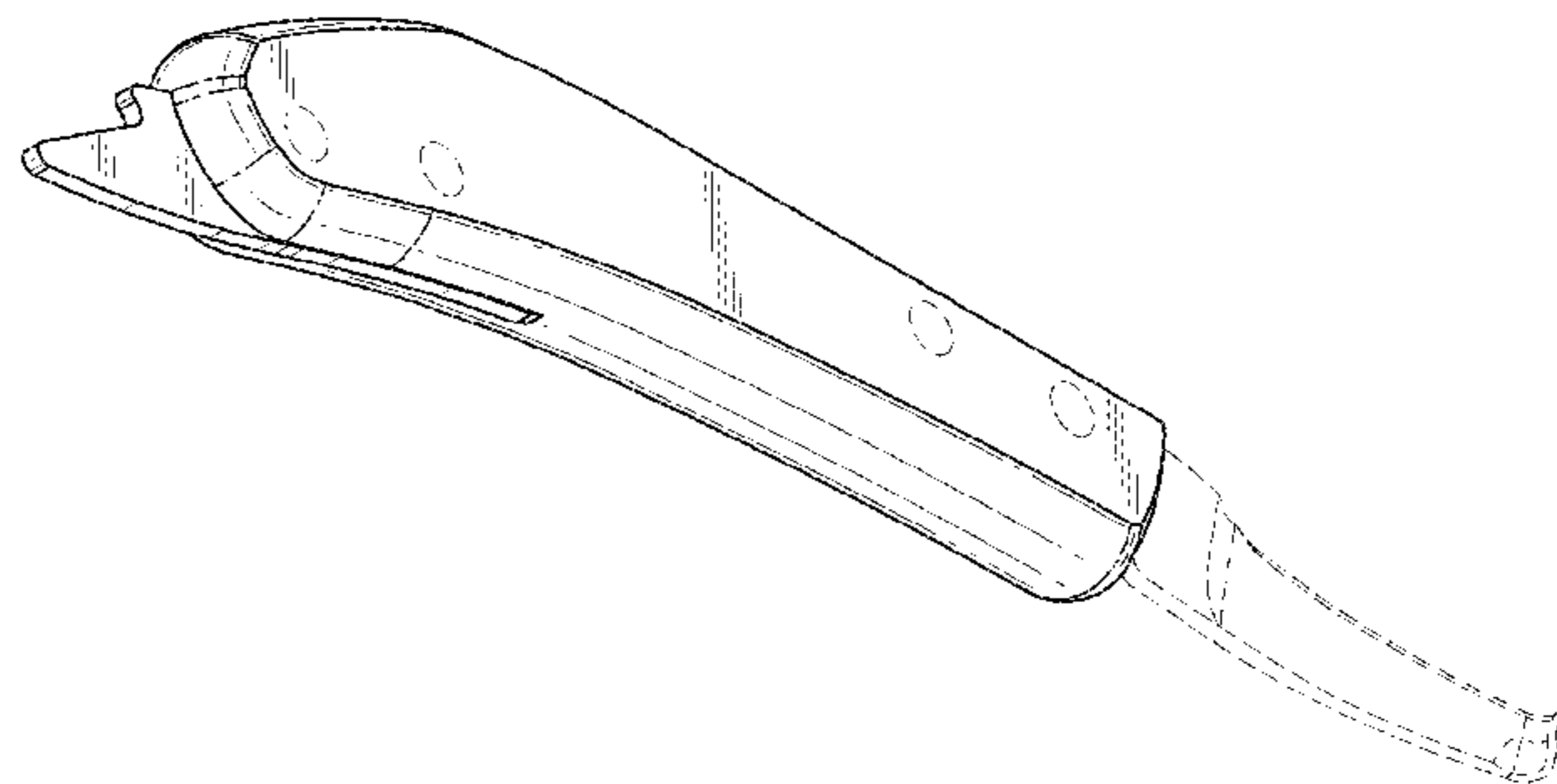
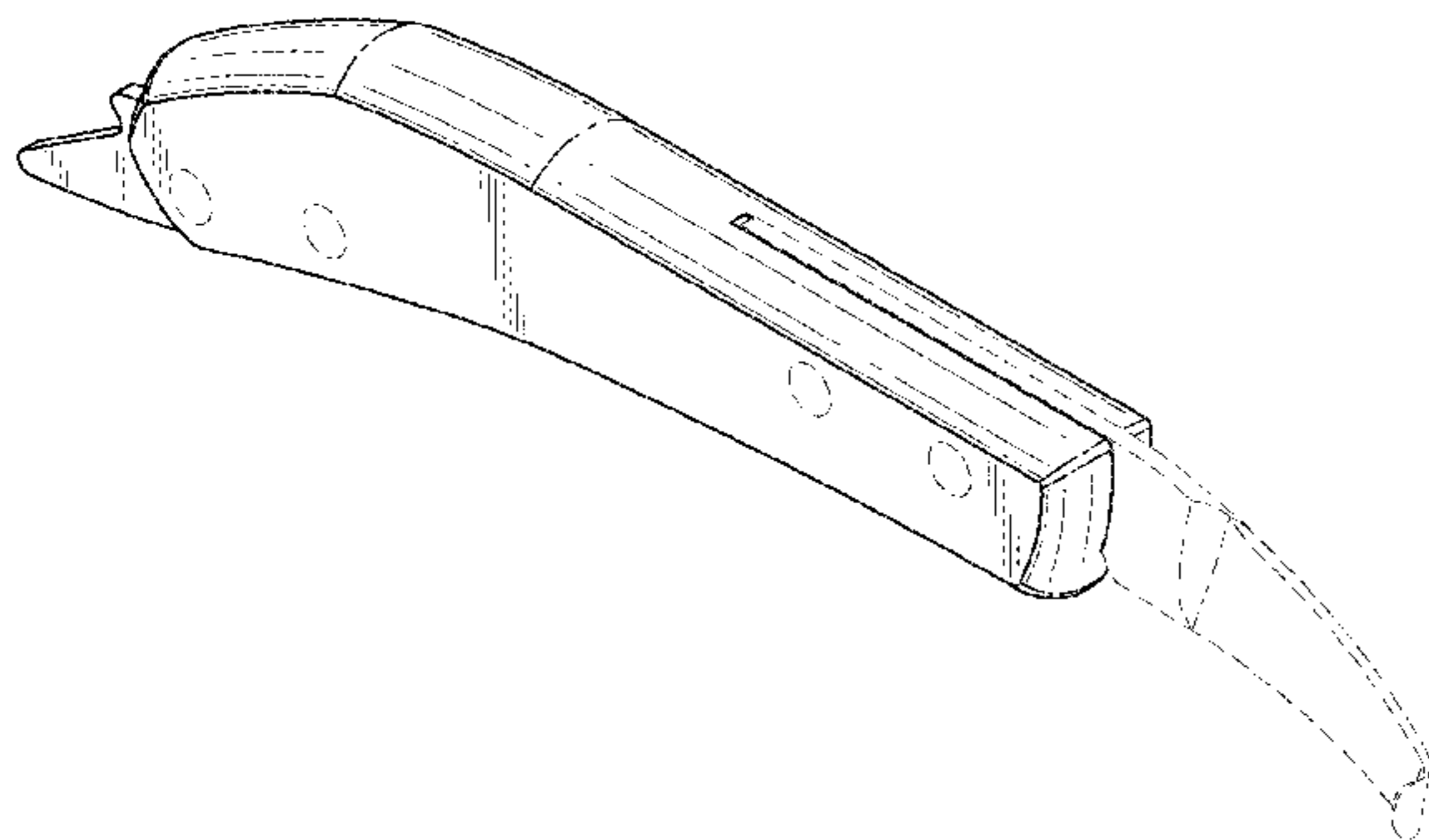
(57) **CLAIM**

The ornamental design for a hoof dressing tool, as shown and described.

**DESCRIPTION**

FIG. 1 is a right, rear perspective view from the above of the hoof dressing tool showing my new design;  
 FIG. 2 is a right front perspective view from below of the hoof dressing tool of FIG. 1;  
 FIG. 3 is a right side elevational view of the hoof dressing tool of FIGS. 1 and 2;  
 FIG. 4 is a left side elevational view of the hoof dressing tool of FIGS. 1-3;  
 FIG. 5 is a top plan view of the hoof dressing tool of FIGS. 1-4;  
 FIG. 6 is a bottom plan view of the hoof dressing tool of FIGS. 1-5;  
 FIG. 7 is a rear elevational view of the hoof dressing tool of FIGS. 1-6; and,  
 FIG. 8 is a front elevational view of the hoof dressing tool of FIGS. 1-7.  
 The portions of FIGS. 1-8 shown in broken lines form no part of the claimed design.

**1 Claim, 3 Drawing Sheets**



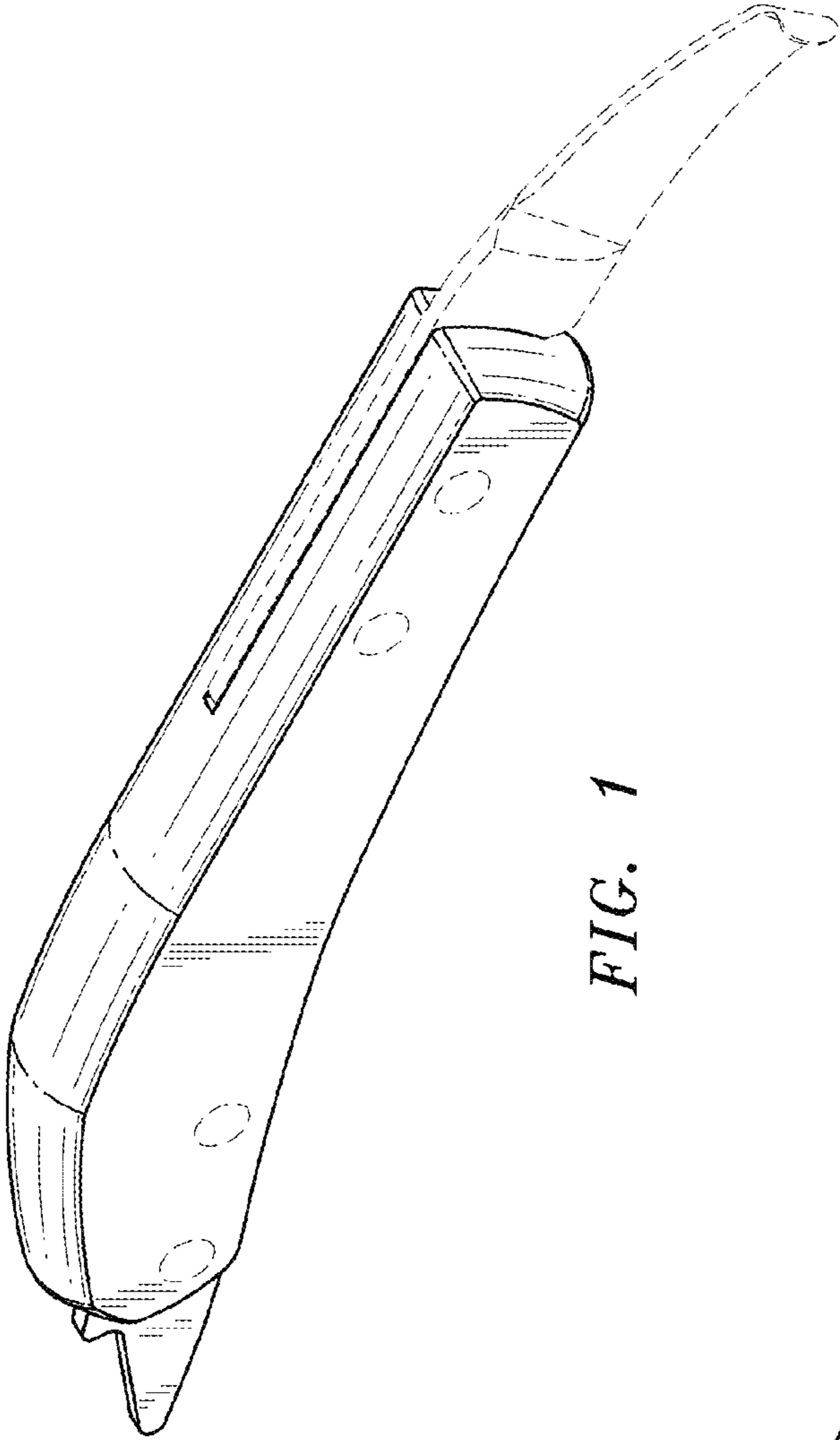


FIG. 1

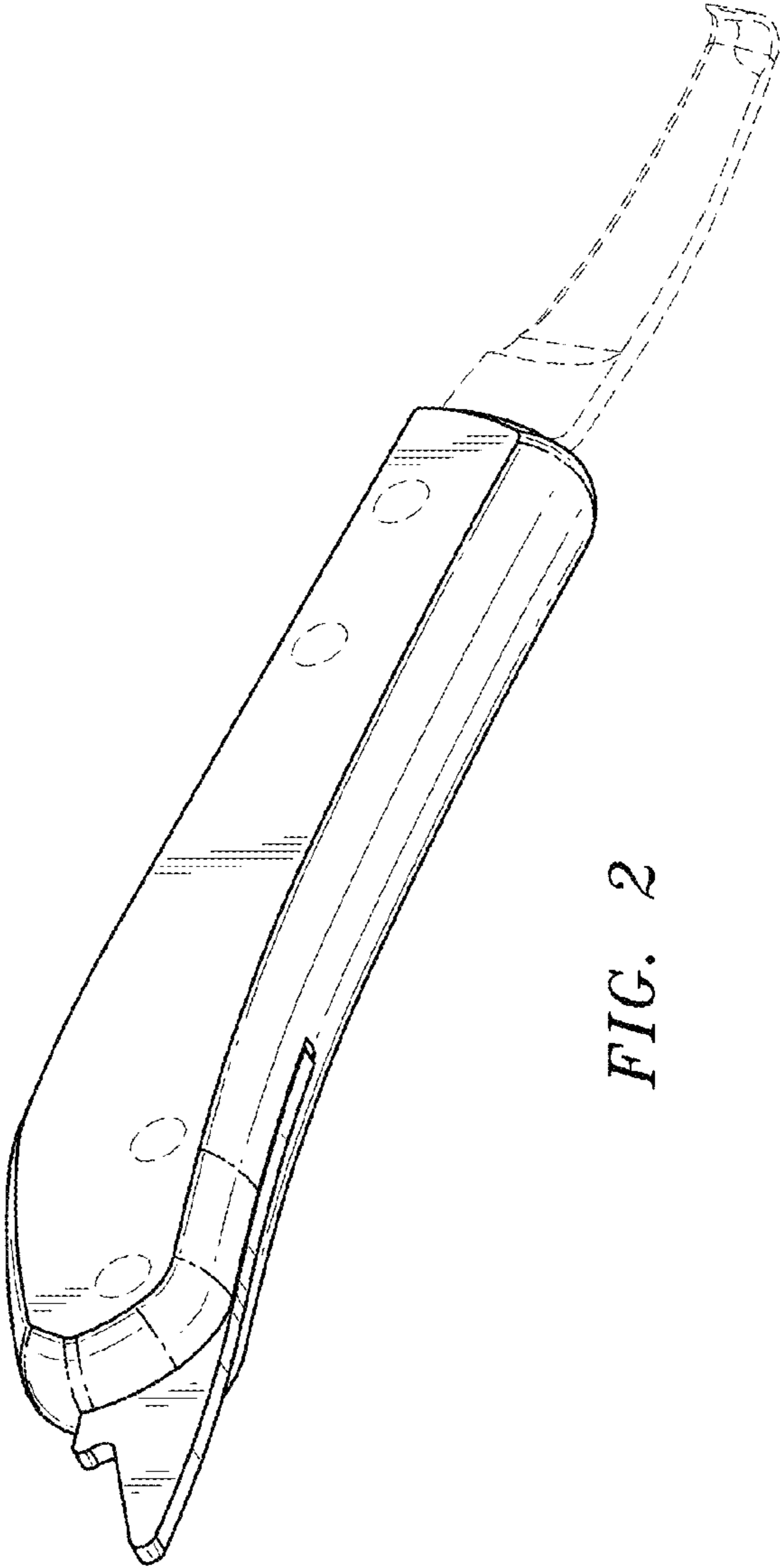


FIG. 2

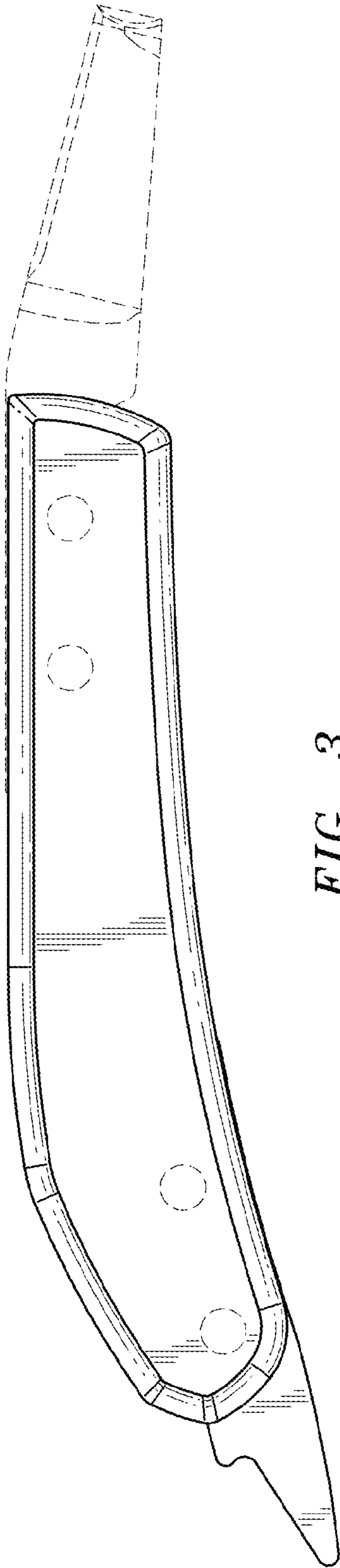


FIG. 3

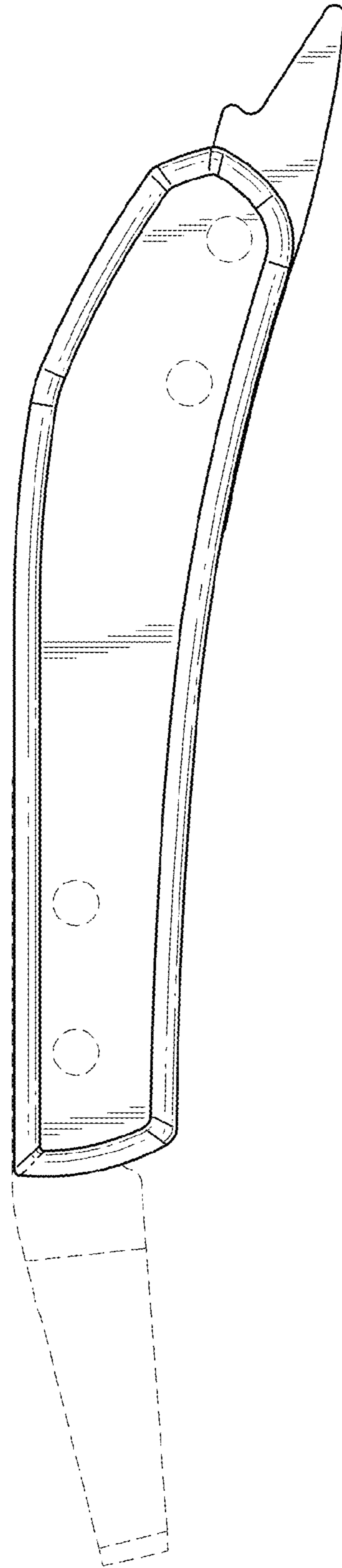


FIG. 4

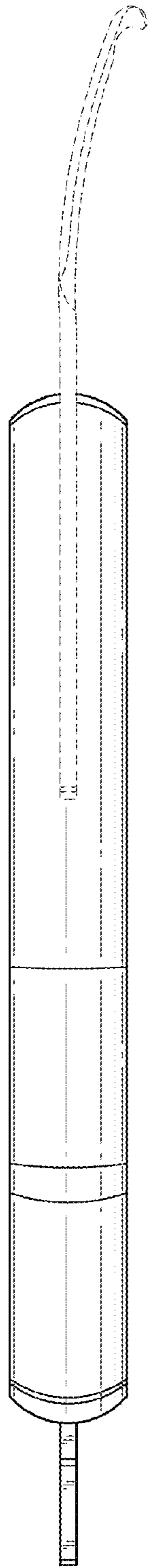


FIG. 5

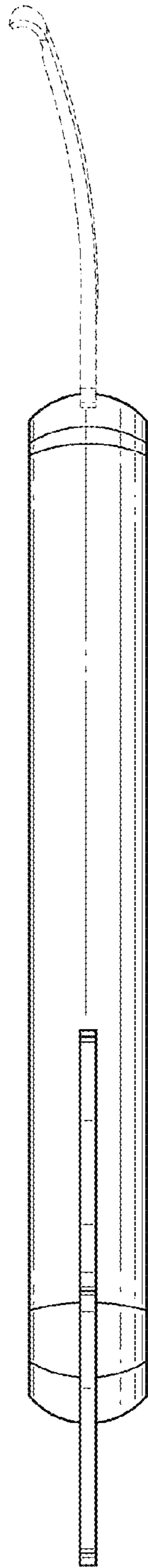


FIG. 6

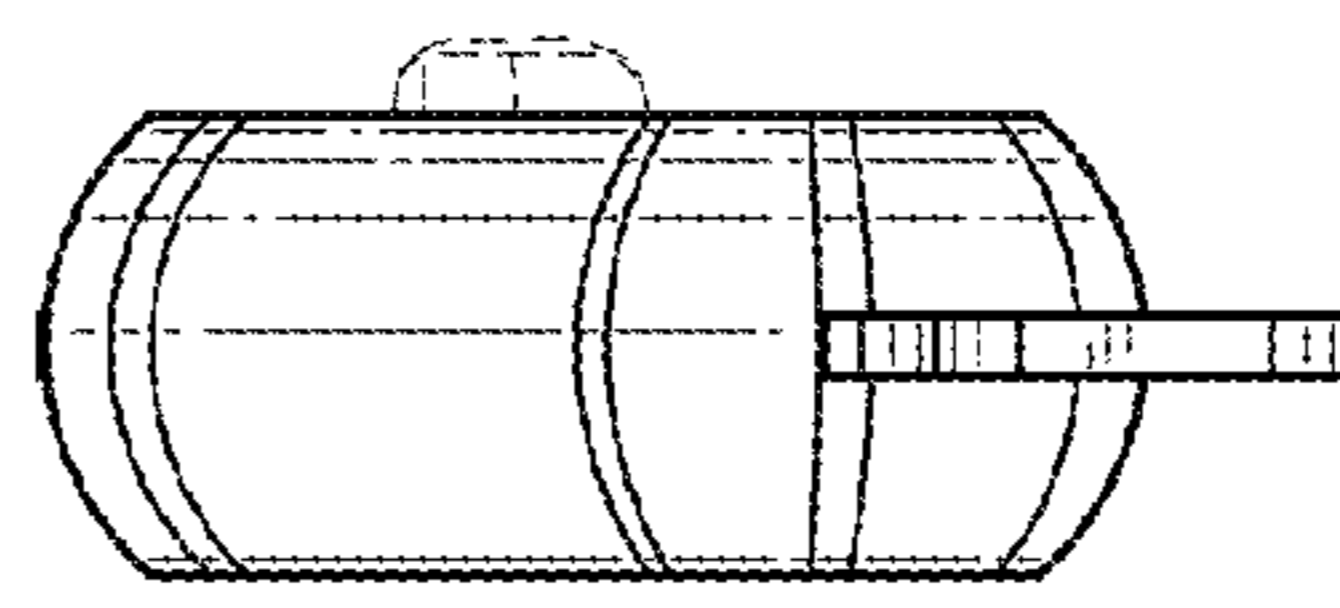


FIG. 7

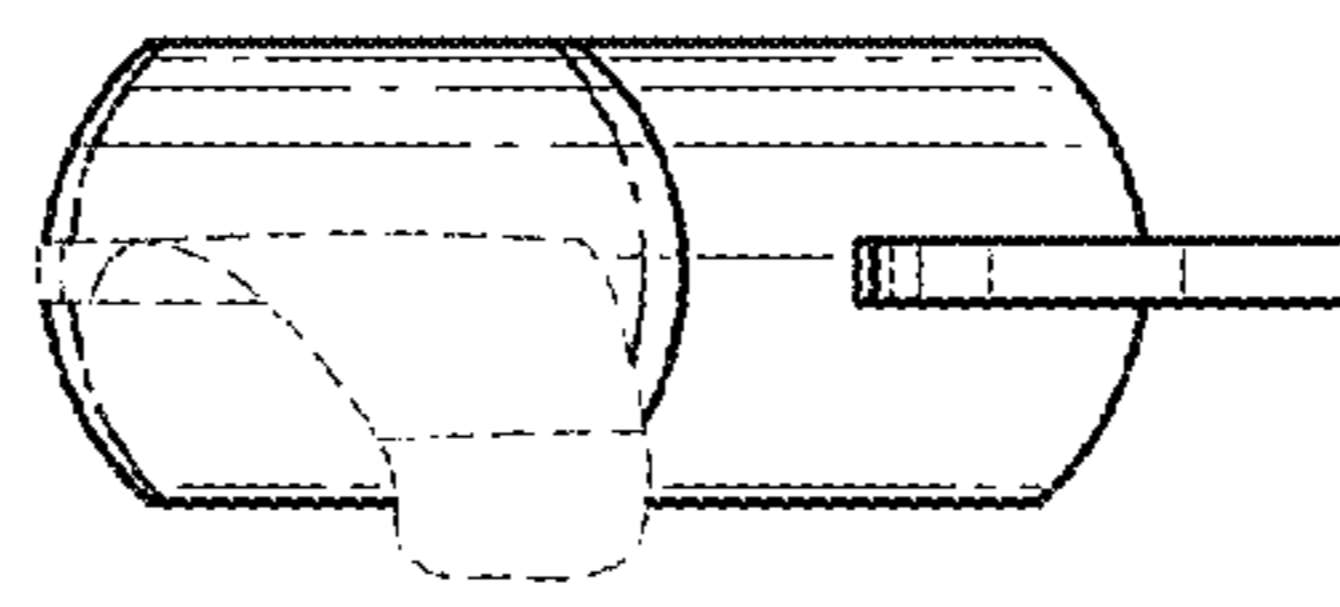


FIG. 8