



US00D705502S

(12) **United States Design Patent**
Markfield

(10) **Patent No.:** **US D705,502 S**
(45) **Date of Patent:** **** May 20, 2014**

- (54) **PET PROTECTIVE COLLAR**
- (76) Inventor: **Linda Markfield**, Los Angeles, CA (US)
- (**) Term: **14 Years**
- (21) Appl. No.: **29/369,540**
- (22) Filed: **Sep. 9, 2010**

477,748 A *	6/1892	Emerson	473/590
486,348 A *	11/1892	Mattson	2/68
510,290 A *	12/1893	Renear	473/590
526,534 A *	9/1894	Lahl	2/50
D25,247 S *	3/1896	Diblin	D6/588
569,540 A *	10/1896	Carlton	2/50
D31,877 S *	11/1899	Berry	D21/437
665,316 A *	1/1901	Fay	33/403
D35,273 S *	11/1901	Maass	D23/311
776,041 A *	11/1904	Wysard	2/50
906,206 A *	12/1908	Dawes et al.	473/590
925,445 A *	6/1909	Bartlett	473/590

Related U.S. Application Data

- (63) Continuation-in-part of application No. 11/847,156, filed on Aug. 29, 2007, now Pat. No. 8,042,494.
- (51) **LOC (10) Cl.** **30-04**
- (52) **U.S. Cl.**
USPC **D30/152; D30/145**
- (58) **Field of Classification Search**
USPC D30/152, 144, 145, 151, 199; 119/815, 119/855, 856, 850, 729, 908, 821, 863, 865, 119/870-879; 54/79; 128/878, 880, 882, 128/DIG. 15; 2/46, 47, 48, 98, 116, 127, 2/129, 131, 132, 133, 49.1, 60, 207, 468, 2/916, 50, 174; 47/32.4, 30, 32; D24/197, 193, 189, 192, 190; D2/603, D2/602, 600, 500, 508, 604, 605, 608; 602/17, 18; D6/511, 339, 491, 583, D6/592; D19/41, 35, 52, 37, 39, 42; D10/64; 132/212; D28/18, 9, 10; 33/471
See application file for complete search history.

(Continued)

Primary Examiner — Susan Moon Lee

(74) *Attorney, Agent, or Firm* — Michael D. Eisenberg

(57) **CLAIM**

I claim the ornamental design for a pet protective collar, as shown and described.

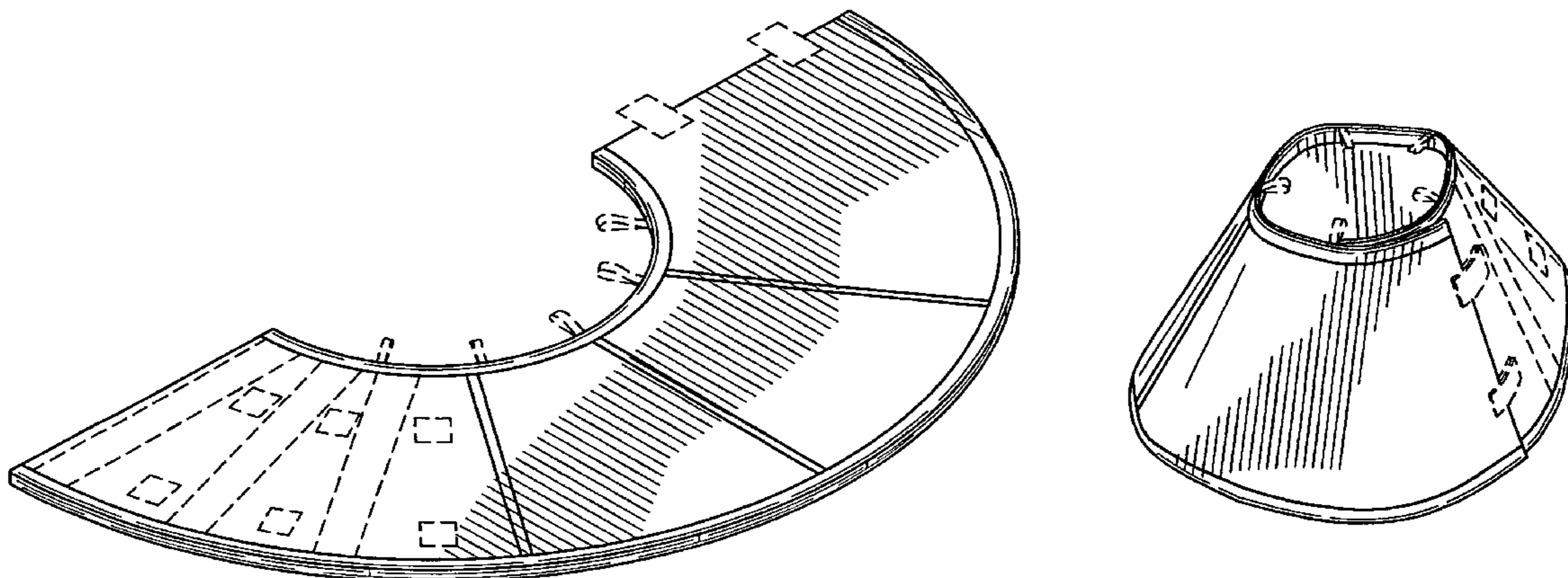
DESCRIPTION

FIG. 1 is a perspective view of a pet protective collar, shown in a flat, unassembled condition;
 FIG. 2 is a right side view of the pet protective collar of FIG. 1;
 FIG. 3 is a top view of the pet protective collar of FIG. 1;
 FIG. 4 is a left side view of the pet protective collar of FIG. 1;
 FIG. 5 is a right side view of the pet protective collar of FIG. 1;
 FIG. 6 is a back view of the pet protective collar of FIG. 1;
 FIG. 7 is a bottom view of the pet protective collar of FIG. 1;
 FIG. 8 is a perspective view of the pet protective collar shown in an assembled condition; and,
 FIG. 9 is a perspective view of the pet protective collar, shown in a folded condition.
 Broken lines and unshaded portions contained within broken lines are not claimed.

(56) **References Cited**
U.S. PATENT DOCUMENTS

D3,247 S *	11/1868	MacDonald	D2/602
168,063 A *	9/1875	Taylor	220/62
346,519 A *	8/1886	Tybjerg	33/471
371,353 A *	10/1887	Perry	2/50

1 Claim, 3 Drawing Sheets



(56)

References Cited

U.S. PATENT DOCUMENTS

- 971,503 A * 9/1910 Howard 2/174
1,094,345 A * 4/1914 Robertson et al. 2/50
D49,966 S * 11/1916 Kahles D6/511
1,209,998 A * 12/1916 Pinckert 40/27.5
1,283,357 A * 10/1918 Thompson 2/174
1,283,358 A * 10/1918 Thompson 2/174
1,330,780 A * 2/1920 Bonte 206/509
1,331,415 A * 2/1920 Civitts 33/471
1,505,558 A * 8/1924 Grabowski 5/402
1,547,558 A * 7/1925 Browne 473/590
1,556,468 A * 10/1925 Alamo 2/50
1,561,715 A * 11/1925 Gregory 124/16
1,633,951 A * 6/1927 O'Toole 4/251.1
1,730,999 A * 10/1929 Donovan 2/50
1,764,912 A * 6/1930 Caster-Udell 2/174
1,805,522 A * 5/1931 Horos et al. 2/171
1,837,848 A * 12/1931 Brothers 2/50
1,858,331 A * 5/1932 Hughes 2/174
1,960,312 A * 5/1934 Landorf 2/133
1,979,879 A * 11/1934 Harris 2/48
1,979,983 A * 11/1934 Meek 2/53
1,992,769 A * 2/1935 Post 2/50
2,001,862 A * 5/1935 Battey 606/204.35
2,016,489 A * 10/1935 Escalante 33/476
2,023,901 A * 12/1935 Rhodes 4/254
D99,849 S * 6/1936 Appelbaum et al. D2/602
2,093,483 A * 9/1937 Sackett 2/50
2,123,436 A * 7/1938 Richmond 2/50
D113,527 S * 2/1939 Bauberger et al. D10/64
2,226,956 A * 12/1940 Womack 2/174
2,233,832 A * 3/1941 Byrd 43/107
2,241,855 A * 5/1941 Heisterberg 2/174
2,246,035 A * 6/1941 Elliot 2/50
D129,866 S * 10/1941 Cohig D2/602
D131,137 S * 1/1942 Baumann D6/349
2,278,327 A * 3/1942 Magnus et al. 446/124
2,324,022 A * 7/1943 Prause, Jr 473/590
2,327,678 A * 8/1943 Stovall 2/174
2,328,871 A * 9/1943 Woehler 5/636
2,364,568 A * 12/1944 Tiscornia 2/50
D139,893 S * 1/1945 Roberts et al. D6/481
D142,653 S * 10/1945 Muldoon D10/64
D143,464 S * 1/1946 Cohen D19/37
2,409,864 A * 10/1946 Ingouf et al. 33/562
2,424,744 A * 7/1947 Dicken et al. 2/174
2,447,776 A * 8/1948 Sherwood 2/174
D155,233 S * 9/1949 Priebe D10/64
D161,733 S * 1/1951 Burchard D6/428
2,575,898 A * 11/1951 Tadinger 428/125
D165,584 S * 1/1952 Johnson D6/482
2,771,613 A * 11/1956 Markiewicz 4/251.1
2,892,909 A * 6/1959 Darnutzer et al. 2/50
2,919,748 A * 1/1960 Alden, Sr. 297/153
2,947,004 A * 8/1960 Pfile 2/50
2,956,542 A * 10/1960 Mueller 119/760
2,965,903 A * 12/1960 Nodurft 2/50
3,036,554 A * 5/1962 Johnson 119/821
3,062,183 A * 11/1962 Tate 119/421
3,072,098 A * 1/1963 Boemle 119/821
3,153,399 A * 10/1964 Koon 119/729
3,172,636 A * 3/1965 Collier 248/444
D201,625 S * 7/1965 Marler D21/437
D201,971 S * 8/1965 Mohon D6/428
D203,602 S * 2/1966 Dusman D6/428
3,312,987 A * 4/1967 Emery 5/644
D209,841 S * 1/1968 Bue et al. D6/337
D209,911 S * 1/1968 Cooper D6/337
D210,131 S * 2/1968 Rourke D6/510
3,382,779 A * 5/1968 Lynas 493/276
3,387,588 A * 6/1968 Bird 119/760
3,440,604 A * 4/1969 Phillips 340/454
3,507,497 A * 4/1970 Gardner 473/590
3,571,972 A * 3/1971 Carter, Jr. 47/32.4
D225,735 S * 1/1973 Bowman D12/203
D228,979 S * 11/1973 Epstein D2/877
3,798,674 A * 3/1974 Daniel 2/50
D232,051 S * 7/1974 Hoagland D10/62
D236,925 S * 9/1975 Clark D6/426
D238,038 S * 12/1975 Turco D6/511
D238,040 S * 12/1975 Hardy D7/402
D244,624 S * 6/1977 Braid D30/101
4,125,656 A * 11/1978 Creamer 4/251.1
D253,048 S * 10/1979 Morgan D10/64
D253,279 S * 10/1979 Morgan D10/64
D253,280 S * 10/1979 Morgan D10/64
D253,985 S * 1/1980 Bond D6/583
4,200,057 A * 4/1980 Agar 424/9.8
4,207,633 A * 6/1980 Smith et al. 5/632
D260,125 S * 8/1981 Rogers D6/596
4,285,075 A * 8/1981 Nelson 4/251.1
D260,752 S * 9/1981 Huntsman et al. D11/157
D266,193 S * 9/1982 Ivone D28/9
D266,296 S * 9/1982 Bergquist et al. D6/481
D266,528 S * 10/1982 Bayless D21/444
D268,796 S * 5/1983 Kola D6/349
4,413,588 A * 11/1983 Lindholm 119/760
4,422,640 A * 12/1983 Tamarkin 463/47
4,476,814 A * 10/1984 Miller 119/821
D276,764 S * 12/1984 Shipman et al. D6/338
D282,775 S * 2/1986 Floyd, Sr. D24/183
D284,089 S * 6/1986 Hines D19/39
D290,316 S * 6/1987 Chiasson D6/406.5
D291,955 S * 9/1987 Durand D7/396.5
4,704,744 A * 11/1987 Myers 2/174
4,742,827 A * 5/1988 Lipton 607/109
4,748,976 A * 6/1988 Cali 604/289
4,762,114 A * 8/1988 Blankemeyer 126/373.1
D297,789 S * 9/1988 Stepien D6/349
4,841,249 A * 6/1989 Duerr et al. 324/318
D303,175 S * 9/1989 Wilson et al. D2/862
D309,680 S * 8/1990 Gusty D6/349
D310,854 S * 9/1990 Slayton et al. D21/480
4,971,389 A * 11/1990 Staggs et al. 297/174 R
5,012,764 A * 5/1991 Fick et al. 119/821
D322,228 S * 12/1991 Hoyt et al. D10/64
5,079,777 A * 1/1992 Fowler et al. 2/50
5,087,097 A * 2/1992 Hehn 297/153
5,113,590 A * 5/1992 Shapiro et al. 33/471
D328,256 S * 7/1992 Harvey D10/64
5,133,295 A * 7/1992 Lippincott 119/821
5,134,559 A * 7/1992 Ruskin 362/351
D332,535 S * 1/1993 Hosoe D6/482
D332,718 S * 1/1993 Wolfe, III D6/570
5,197,414 A * 3/1993 Kanakura 119/839
D335,688 S * 5/1993 Paquette et al. D21/437
D335,823 S * 5/1993 Shapiro et al. D10/64
5,211,474 A * 5/1993 Leitner et al. 362/351
D340,114 S * 10/1993 Arginsky D24/189
D340,984 S * 11/1993 Arginsky D24/189
D340,986 S * 11/1993 Arginsky D24/189
D342,634 S * 12/1993 Barlow-Lawson D6/511
D348,415 S * 7/1994 Domurat D11/147
5,334,218 A * 8/1994 Johnson 606/235
5,349,927 A * 9/1994 Campbell 119/815
D352,851 S * 11/1994 Hosoe D6/482
D355,383 S * 2/1995 Round D10/64
D355,489 S * 2/1995 Almond D24/189
D358,730 S * 5/1995 Meeker et al. D6/511
D359,468 S * 6/1995 Hoyt D12/180
D361,672 S * 8/1995 Mariol et al. D6/339
D361,845 S * 8/1995 Peterson, Jr. D25/60
D362,971 S * 10/1995 Pacheco D6/339
D364,302 S * 11/1995 Cloud D6/601
D365,712 S * 1/1996 Smith D6/511
D366,379 S * 1/1996 Graeber D6/511
D367,369 S * 2/1996 Lovegrove et al. D6/349
5,540,642 A * 7/1996 Sprague 482/123
D376,923 S * 12/1996 Jones D6/349
D377,734 S * 2/1997 Bird et al. D7/402
D378,486 S * 3/1997 Bradley et al. D7/406
D380,127 S * 6/1997 Feigh et al. D8/1
D380,785 S * 7/1997 Francis D21/386
D381,230 S * 7/1997 Gifford D6/582
5,642,687 A * 7/1997 Nylen et al. 119/52.3

(56)

References Cited

U.S. PATENT DOCUMENTS

- D383,017 S * 9/1997 Kelly et al. D6/482
5,662,153 A * 9/1997 Rosenblatt 160/84.07
D385,354 S * 10/1997 Fabricant D24/189
D386,571 S * 11/1997 Wilhelm D23/309
D388,987 S * 1/1998 Simpson et al. D6/511
D388,988 S * 1/1998 Twellmann D6/511
D389,357 S * 1/1998 Nelson D6/583
5,736,273 A * 4/1998 Lee 429/100
D396,582 S * 8/1998 Ilitch et al. D6/481
D396,980 S * 8/1998 Novros D6/601
5,797,354 A * 8/1998 Marschall 119/815
D398,678 S * 9/1998 Terry et al. D23/309
D402,045 S * 12/1998 Lougee D25/65
D402,841 S * 12/1998 Dobbs D6/583
D403,186 S * 12/1998 Kopish D6/511
D403,546 S * 1/1999 Moon D6/574
5,881,382 A * 3/1999 Bernard et al. 2/49.1
D407,587 S * 4/1999 Grabowski D6/511
D413,168 S * 8/1999 Davis et al. D24/191
D415,376 S * 10/1999 Lottes D6/511
5,960,471 A * 10/1999 Burton 2/48
D416,745 S * 11/1999 Noyes D6/601
5,997,355 A * 12/1999 Hollander et al. 439/620.09
D419,716 S * 1/2000 Parrochia D26/118
D420,536 S * 2/2000 Swensson et al. D6/486
D422,115 S * 3/2000 Key D28/18
D422,429 S * 4/2000 Belka et al. D6/421
D423,439 S * 4/2000 Moore D12/203
D424,239 S * 5/2000 Key D28/18
D428,293 S * 7/2000 Williams D6/583
D428,450 S * 7/2000 Oharah D21/437
D429,101 S * 8/2000 Smith et al. D6/511
D431,939 S * 10/2000 Risdall D6/482
D436,179 S * 1/2001 Small D24/206
6,206,805 B1 * 3/2001 Helton et al. 482/52
D440,315 S * 4/2001 Hassenbein et al. D24/189
6,233,767 B1 * 5/2001 Horowitz 5/644
6,252,164 B1 * 6/2001 Wise 174/50
6,283,042 B1 * 9/2001 Wargo et al. 108/26
D449,750 S * 10/2001 Antonioni D6/481
D450,516 S * 11/2001 Darling et al. D6/601
D453,223 S * 1/2002 Sherman D24/206
6,354,665 B1 * 3/2002 Ross 297/452.41
6,416,378 B2 * 7/2002 Yurkoski 446/34
D463,168 S * 9/2002 Goodworth D6/486
D463,683 S * 10/2002 Goodworth D6/486
6,463,887 B1 * 10/2002 Thomas 119/850
D465,610 S * 11/2002 Graham et al. D28/9
6,477,128 B1 * 11/2002 Ma 720/656
6,487,737 B1 * 12/2002 Futagami 5/644
D469,368 S * 1/2003 Lin D10/65
D473,947 S * 4/2003 Jacobson D24/189
D475,095 S * 5/2003 Manville D21/484
RE38,182 E * 7/2003 Nylen et al. 119/52.3
D479,480 S * 9/2003 Dierkes D11/81
D480,767 S * 10/2003 Manville D21/503
D483,084 S * 12/2003 Gvoich D21/686
6,658,681 B2 * 12/2003 Britto et al. 5/655
6,659,046 B2 * 12/2003 Schmid et al. 119/815
D484,985 S * 1/2004 Takizawa et al. D24/206
6,694,651 B1 * 2/2004 Shuen 40/591
D487,589 S * 3/2004 Zaragoza D23/367
D492,091 S * 6/2004 Nakama-Mitsunaga D2/861
6,742,191 B2 * 6/2004 Yang 2/417
D493,999 S * 8/2004 Ruhl et al. D6/583
D495,595 S * 9/2004 Dressler D8/499
6,810,545 B1 * 11/2004 Darling et al. 5/655
D502,115 S * 2/2005 Chudek et al. D10/65
6,868,554 B1 * 3/2005 Melvin 2/50
D503,864 S * 4/2005 DiFanti D6/491
6,877,546 B1 * 4/2005 Garcia 160/134
D506,296 S * 6/2005 Driver D30/152
D506,342 S * 6/2005 Amarin D6/583
D507,056 S * 7/2005 Friedland D24/206
D507,350 S * 7/2005 Mueller et al. D24/189
D508,358 S * 8/2005 Amarin D6/583
D508,556 S * 8/2005 Palazzolo D23/309
6,925,966 B1 * 8/2005 Wexler 119/850
6,926,643 B1 * 8/2005 Gvoich 482/52
D509,289 S * 9/2005 Palazzolo D23/309
D512,511 S * 12/2005 Friedland D24/206
D519,239 S * 4/2006 Katagiri D28/4
7,024,712 B2 * 4/2006 Fujita et al. 5/653
7,104,976 B1 * 9/2006 Allen, Sr. 604/385.03
D540,972 S * 4/2007 Tortel D26/72
D543,063 S * 5/2007 Brown D6/592
D562,505 S * 2/2008 Fujita D30/152
D582,128 S * 12/2008 Thompson D2/861
D582,130 S * 12/2008 Thompson D2/861
7,481,259 B2 * 1/2009 Hartman et al. 160/84.07
7,488,282 B2 * 2/2009 Leavitt 482/142
7,568,771 B2 * 8/2009 Morris 301/37.25
7,765,957 B2 * 8/2010 Behraves et al. 119/815
7,788,752 B2 * 9/2010 Tidwell et al. 5/655
7,832,036 B2 * 11/2010 Littlehorn et al. 5/655
D632,851 S * 2/2011 Maroney et al. D30/152
D647,669 S * 10/2011 Martinez D30/152
8,042,494 B2 * 10/2011 Markfield 119/855
8,061,306 B2 * 11/2011 Schwarz et al. 119/815
8,181,609 B2 * 5/2012 Ohashi 119/815
2004/0200004 A1 * 10/2004 Matthews Brown et al. 5/655
2005/0029840 A1 * 2/2005 Heck et al. 297/148
2005/0100566 A1 * 5/2005 Morikane et al. 424/401
2007/0101628 A1 * 5/2007 Robinson et al. 40/630
2007/0163024 A1 * 7/2007 Kuehn 2/9
2009/0000036 A1 * 1/2009 Littlehorn et al. 5/639
2009/0000569 A1 * 1/2009 Behraves et al. 119/815
2009/0056642 A1 * 3/2009 Markfield 119/850
2009/0235459 A1 * 9/2009 Tidwell et al. 5/640
2009/0241855 A1 * 10/2009 Stocki et al. 119/815
2009/0300815 A1 * 12/2009 Nunez 2/50
2011/0139091 A1 * 6/2011 Ohashi 119/821
2011/0277701 A1 * 11/2011 King 119/815
2012/0037093 A1 * 2/2012 Markfield 119/815

* cited by examiner

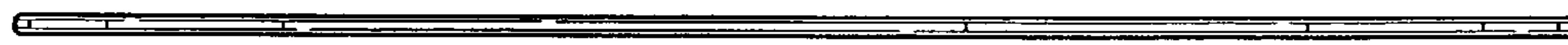
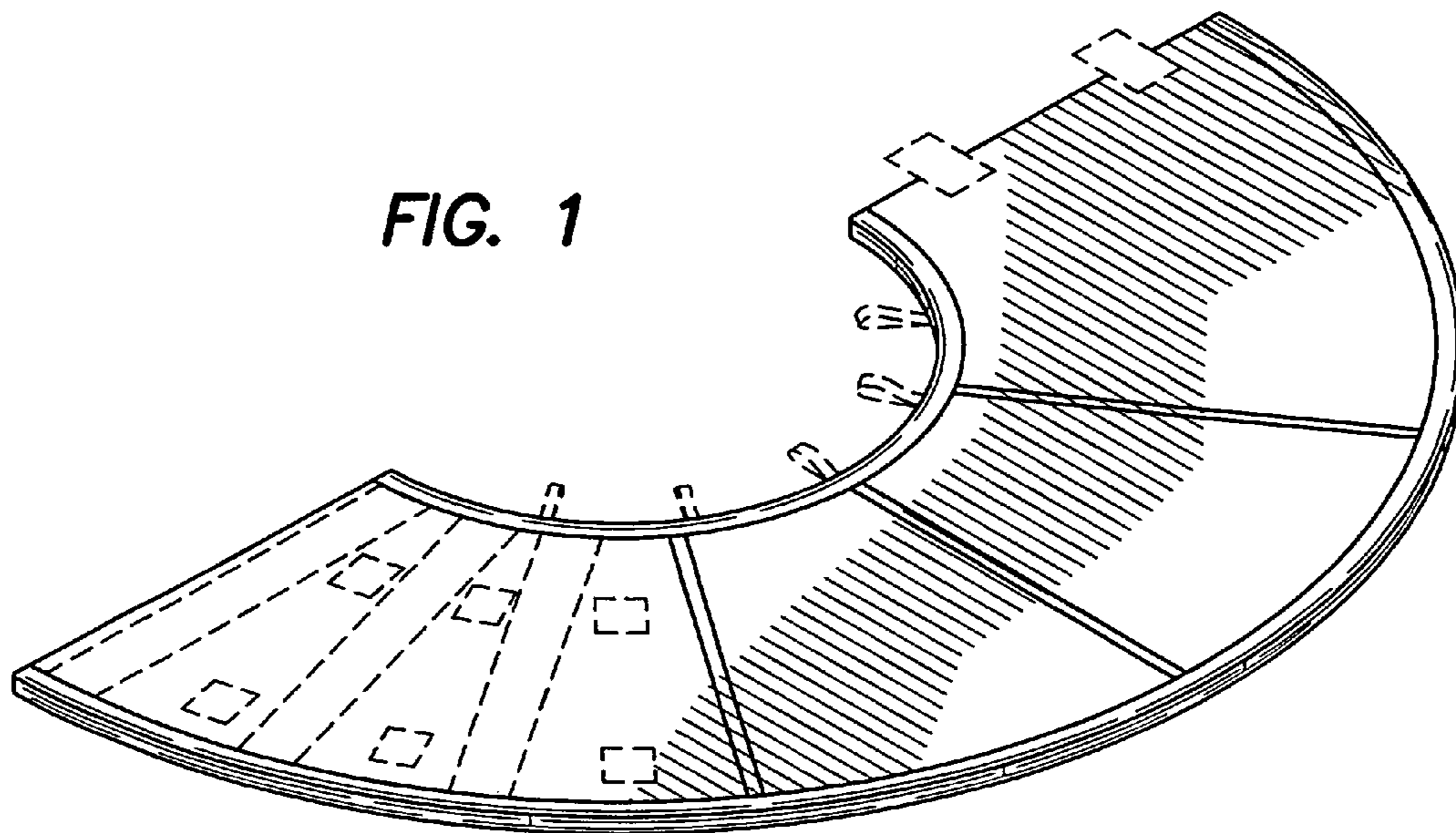


FIG. 2



FIG. 4



FIG. 5



FIG. 6

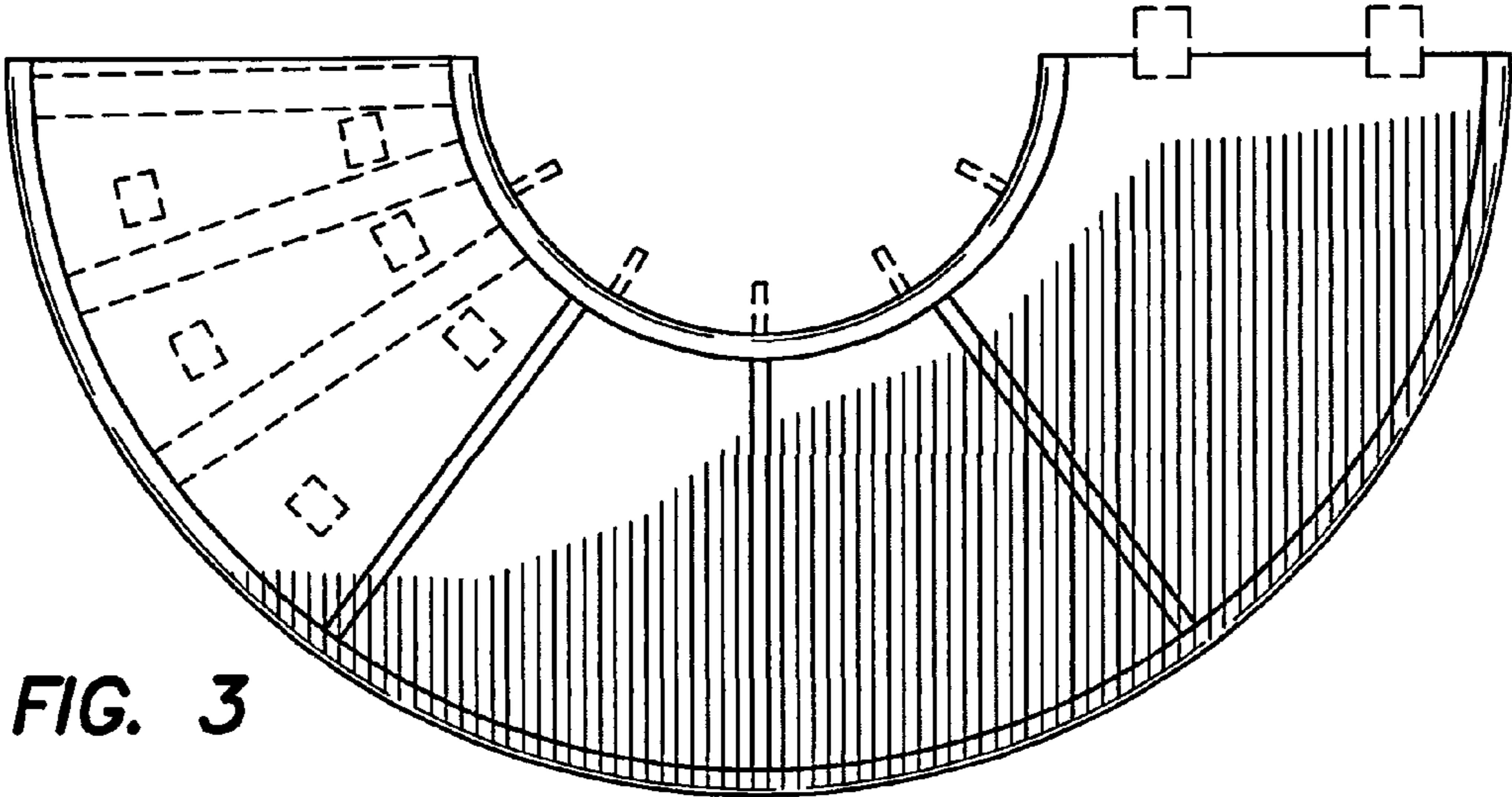


FIG. 3

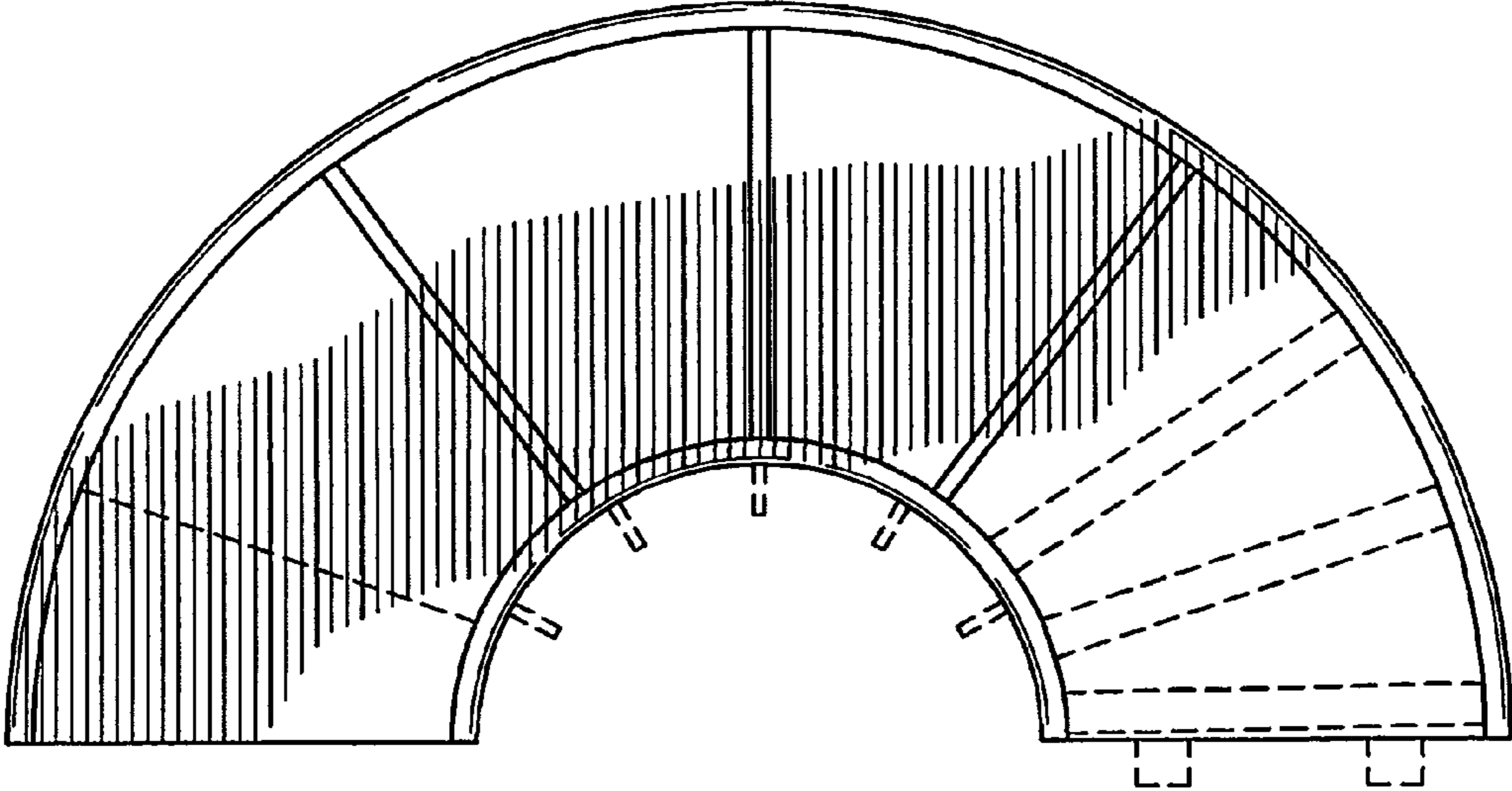


FIG. 7

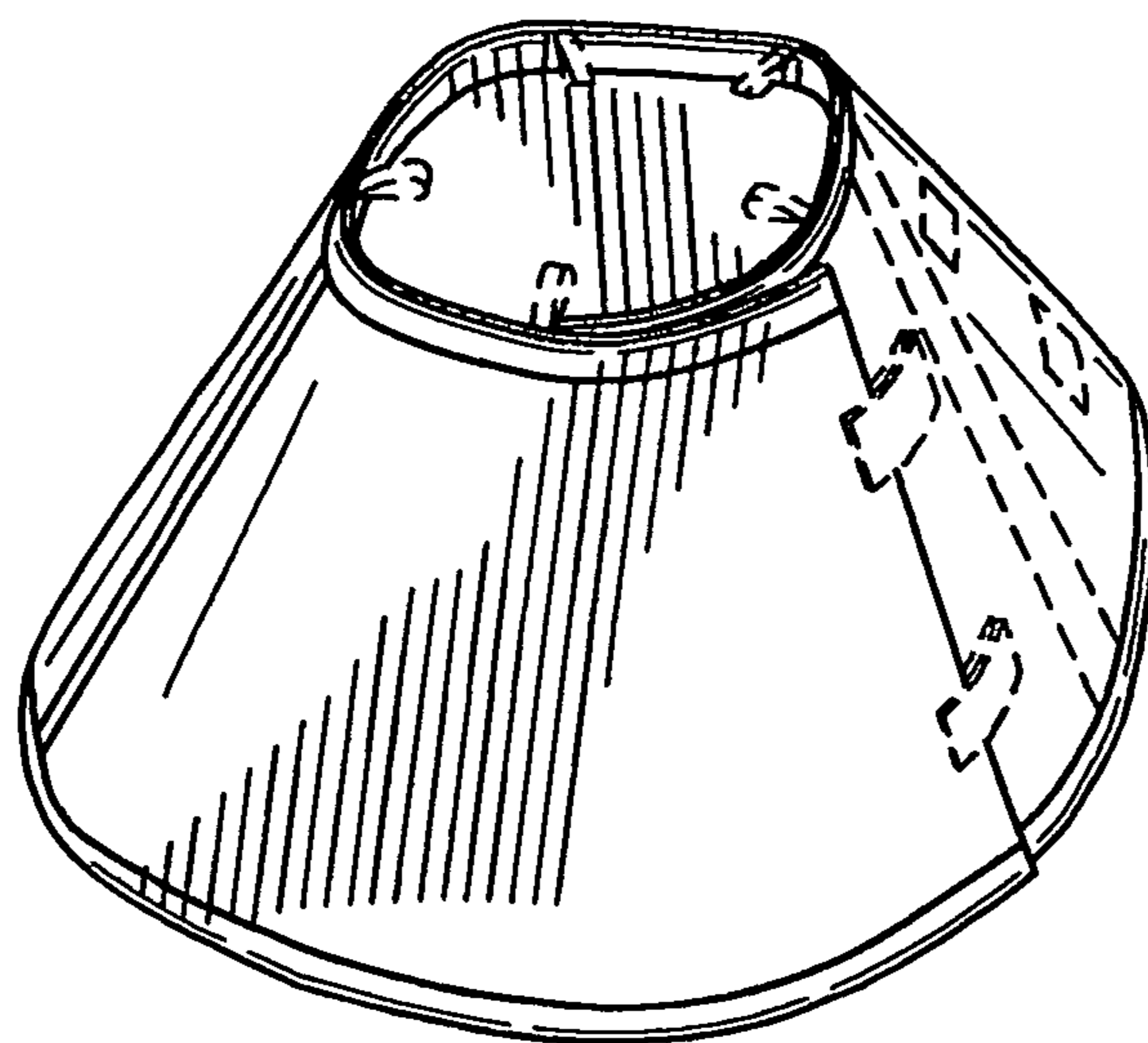


FIG. 8

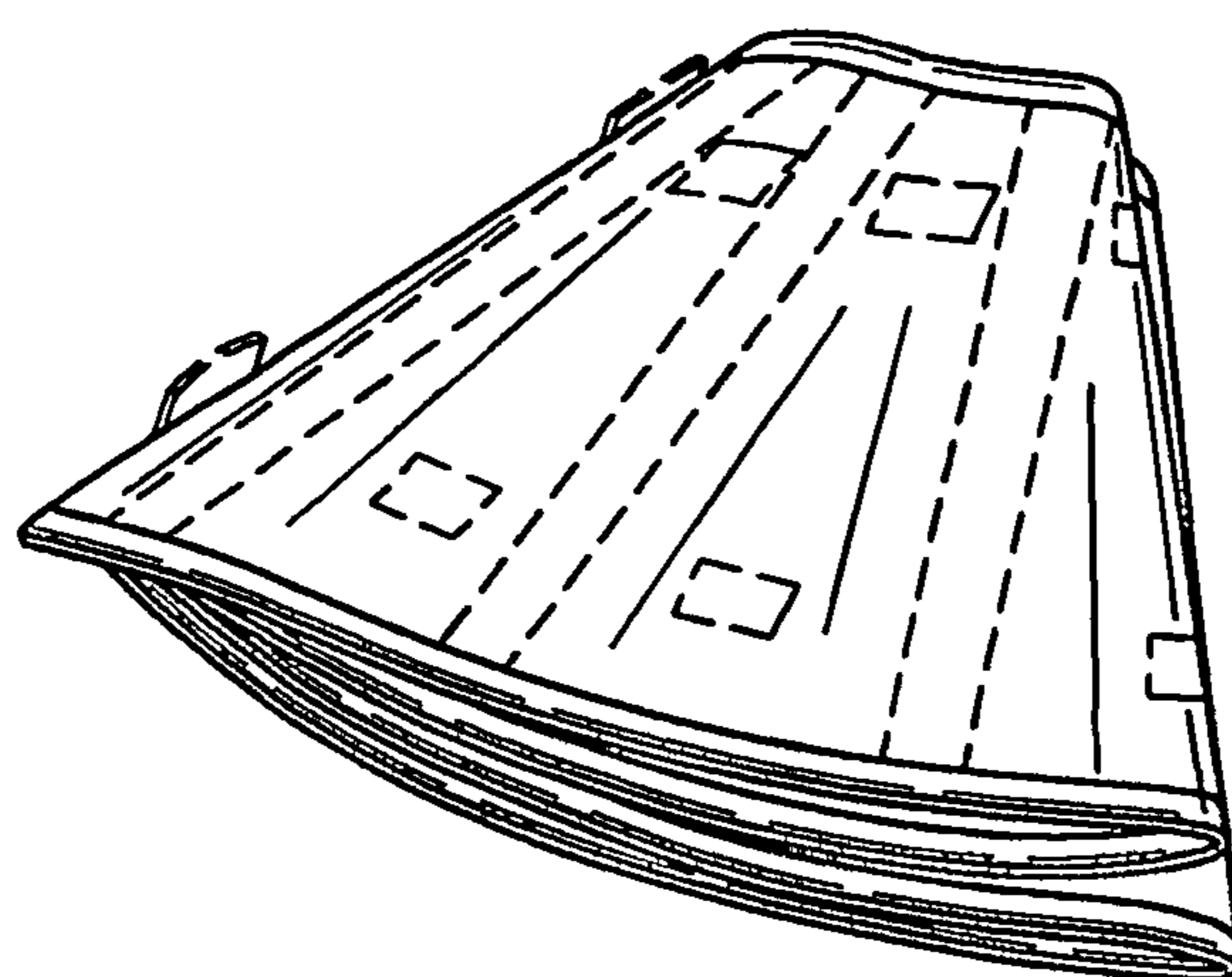


FIG. 9