



US00D705501S

(12) **United States Design Patent**
Li

(10) **Patent No.:** **US D705,501 S**
(45) **Date of Patent:** **** May 20, 2014**

(54) **PORTABLE COMBINED PET WATER BOTTLE AND DISH**

(75) Inventor: **Liedang Li, Shenzhen (CN)**

(73) Assignee: **Shenzhen Xingrisheng Industrial Co., Ltd., Shenzhen (CN)**

(**) Term: **14 Years**

(21) Appl. No.: **29/423,347**

(22) Filed: **May 31, 2012**

(30) **Foreign Application Priority Data**

Dec. 6, 2011 (CN) 2011 3 0459912

(51) **LOC (10) Cl.** **30-03**

(52) **U.S. Cl.**
USPC **D30/132; D30/121; D30/129**

(58) **Field of Classification Search**

USPC D30/121-133; 119/51.01, 61, 51.04, 119/53, 57.91, 54, 53.5, 52.4, 51.11, 63, 119/61.2, 52.1, 57.5, 57.6, 51.13, 62, 75, 119/500, 501; 239/7, 687, 379, 397.5; 222/199, 181.1, 181.2, 185.1, 557, 222/156, 485, 486, 548, 555; 220/200, 227, 220/247, 262; 221/174, 185.1, 289, 295, 221/296, 559; 454/35; 209/270, 283, 244; 52/194, 192; 49/279, 344, 357; D34/28; D9/531, 549

See application file for complete search history.

(56) **References Cited**

U.S. PATENT DOCUMENTS

1,744,328 A * 1/1930 Morley 215/383
1,748,483 A * 2/1930 Hyde 99/508
2,090,998 A * 8/1937 Gessler 40/324
2,177,758 A * 10/1939 Voke 222/492
4,134,365 A * 1/1979 Futers et al. 119/51.5

4,573,434 A * 3/1986 Gardner 119/77
4,762,086 A * 8/1988 Atchley 119/477
D316,382 S * 4/1991 Lorenzana et al. D11/164
5,143,022 A * 9/1992 Fore 119/51.03
D334,251 S * 3/1993 Tiu D30/122
5,365,879 A * 11/1994 Ying-Kuan 119/54
5,636,592 A * 6/1997 Wechsler 119/52.1
5,740,759 A * 4/1998 Cummings 119/72
D406,062 S * 2/1999 Brewer D9/520
5,960,742 A * 10/1999 O'Rourke et al. 119/74
D423,736 S * 4/2000 O'Rourke et al. D30/132
6,126,024 A * 10/2000 Ramirez et al. 215/12.1
6,243,986 B1 * 6/2001 Crowley 47/48.5
6,293,226 B1 * 9/2001 Hwang 119/72
6,405,675 B1 * 6/2002 Mills 119/74
D468,489 S * 1/2003 Wechsler D30/132
D483,982 S * 12/2003 Irvine D7/300.1
6,656,350 B2 * 12/2003 Kitakaze 210/136
6,718,911 B2 * 4/2004 Greenberg 119/51.5
6,718,912 B2 * 4/2004 Pappas 119/72.5
D489,627 S * 5/2004 Klitsner et al. D9/502
6,758,165 B2 * 7/2004 Pappas et al. 119/72.5
6,971,331 B1 * 12/2005 Rohrer 119/77
7,117,818 B2 * 10/2006 Pappas et al. 119/72.5

(Continued)

Primary Examiner — Susan Moon Lee

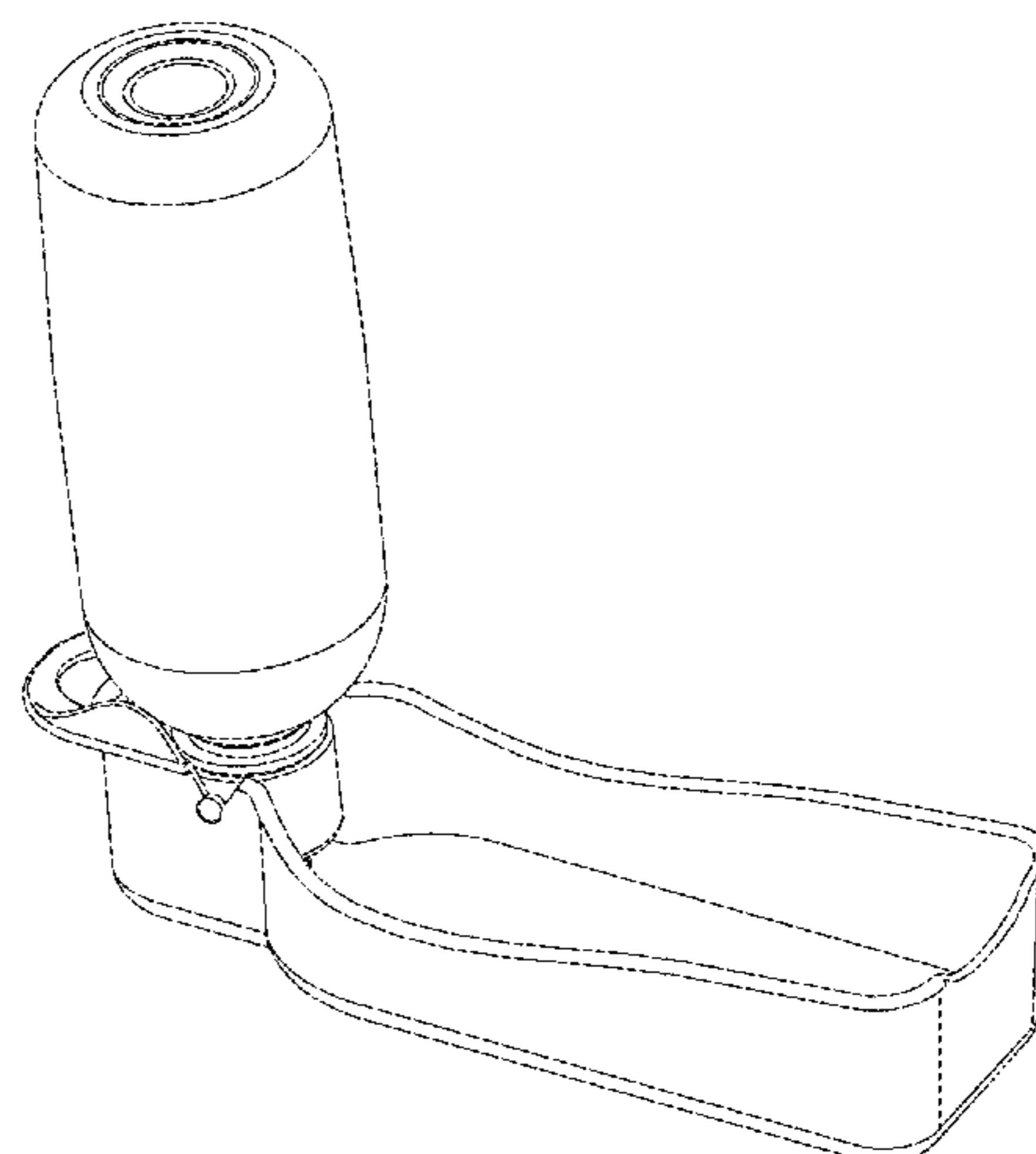
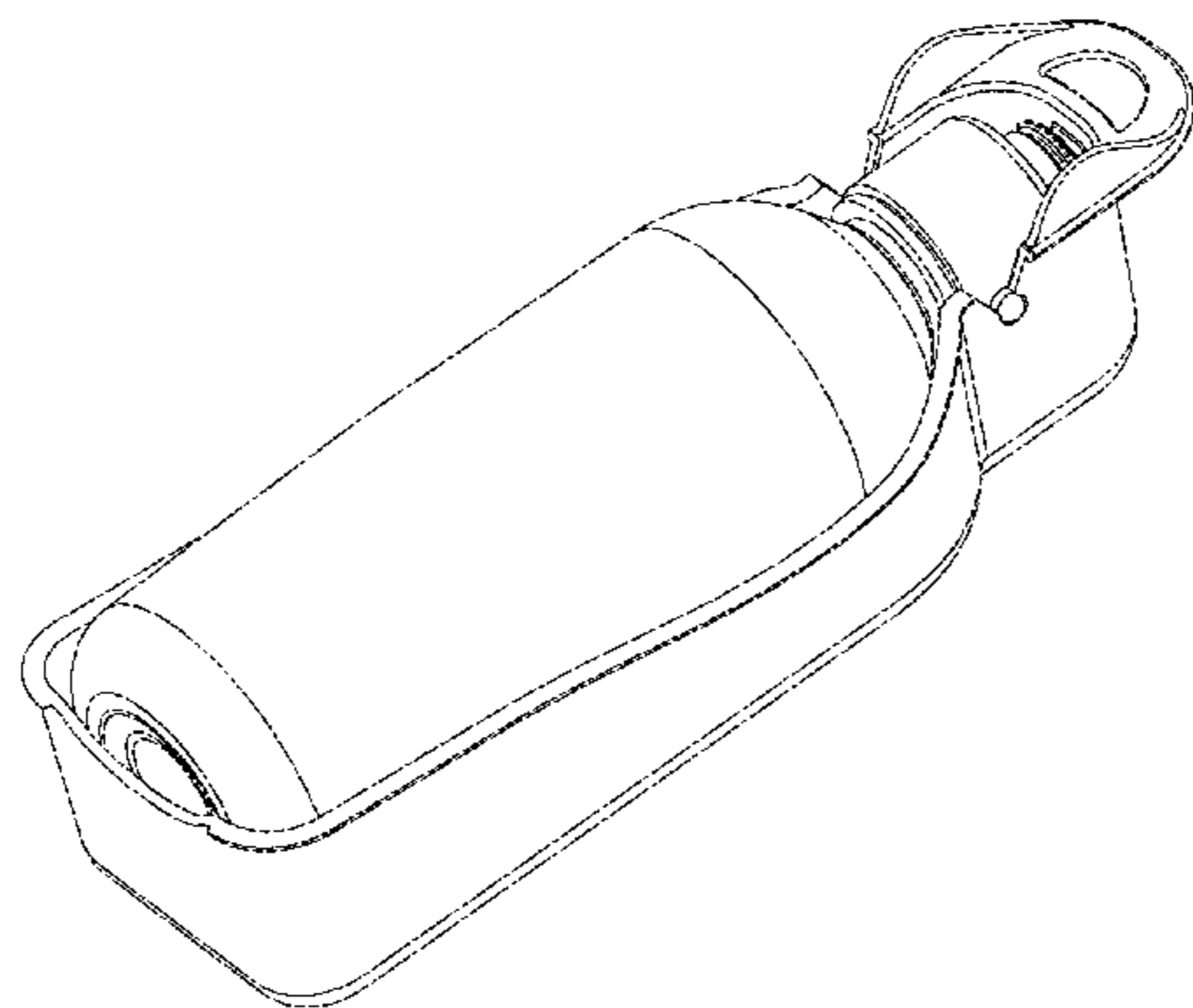
(57) **CLAIM**

I claim the ornamental design for a portable combined pet water bottle and dish, as shown and described.

DESCRIPTION

FIG. 1 is a perspective view of a portable combined pet water bottle and dish, shown in a locked position;
FIG. 2 is a perspective view of the portable combined pet water bottle and dish, in a released position;
FIG. 3 is a left elevation view thereof;
FIG. 4 is a right elevation view thereof;
FIG. 5 is an end view thereof;
FIG. 6 is an opposite end view thereof;
FIG. 7 is a top plan view thereof; and,
FIG. 8 is a bottom view thereof.

1 Claim, 4 Drawing Sheets



(56)

References Cited

U.S. PATENT DOCUMENTS

7,287,487	B2 *	10/2007	Hurwitz	119/74	2003/0233985	A1 *	12/2003	Pappas	119/72.5
7,490,577	B2 *	2/2009	Stephanos	119/74	2004/0118355	A1 *	6/2004	Huang	119/72.5
7,690,329	B2 *	4/2010	Parks	119/74	2004/0211366	A1 *	10/2004	Jarke et al.	119/75
D623,460	S *	9/2010	Krasner	D7/300.1	2005/0109283	A1 *	5/2005	Pappas et al.	119/72.5
7,823,539	B2 *	11/2010	Keller et al.	119/74	2006/0231040	A1 *	10/2006	Bast et al.	119/77
7,913,647	B1 *	3/2011	Martin	119/52.1	2007/0017450	A1 *	1/2007	Hurwitz	119/74
8,011,324	B1 *	9/2011	Warganich	119/77	2007/0017451	A1 *	1/2007	Hurwitz	119/74
D648,177	S *	11/2011	Eyal	D7/510	2007/0017452	A1 *	1/2007	Hurwitz et al.	119/74
D654,752	S *	2/2012	Krasner	D7/300.1	2007/0079762	A1 *	4/2007	Stephanos	119/74
8,272,351	B2 *	9/2012	Hurwitz	119/74	2008/0087224	A1 *	4/2008	Wechsler	119/52.1
8,371,244	B2 *	2/2013	Krasner	119/72.5	2009/0159009	A1 *	6/2009	Parks	119/74
8,453,860	B2 *	6/2013	Otero	215/391	2010/0043716	A1 *	2/2010	Klanke	119/75
8,464,660	B2 *	6/2013	Valeriano	119/72	2010/0064976	A1 *	3/2010	Keller et al.	119/72
D689,332	S *	9/2013	Krasner	D7/510	2010/0313817	A1 *	12/2010	Krasner	119/72.5
D699,516	S *	2/2014	Kim et al.	D7/510	2011/0283948	A1 *	11/2011	Wong	119/74
2002/0148852	A1 *	10/2002	Schultz	222/78	2012/0222625	A1 *	9/2012	Adams	119/72
					2012/0298045	A1 *	11/2012	Wechsler	119/52.1
					2012/0318201	A1 *	12/2012	Sanders	119/72
					2013/0019809	A1 *	1/2013	McCallum et al.	119/75

* cited by examiner

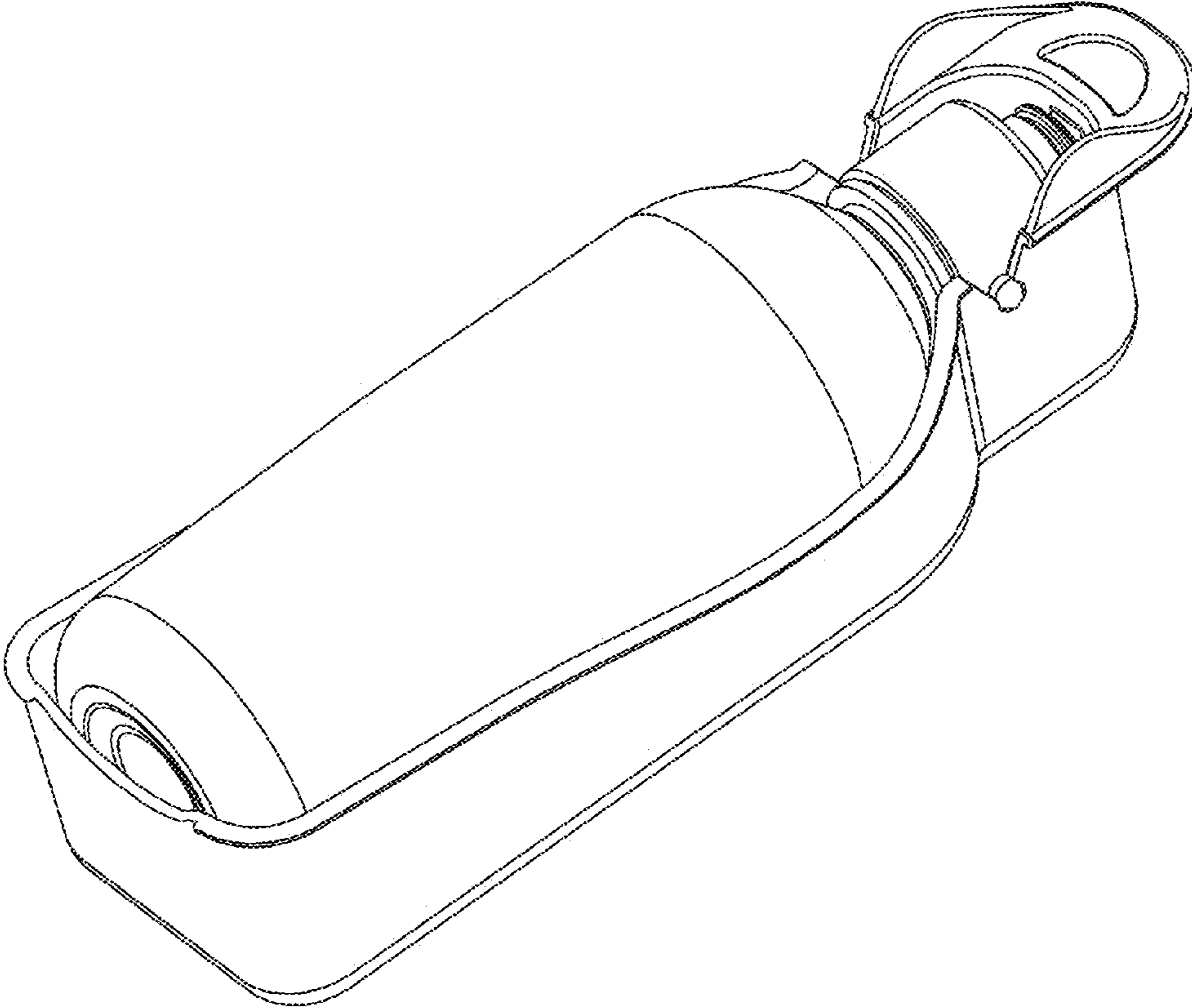


Fig.1

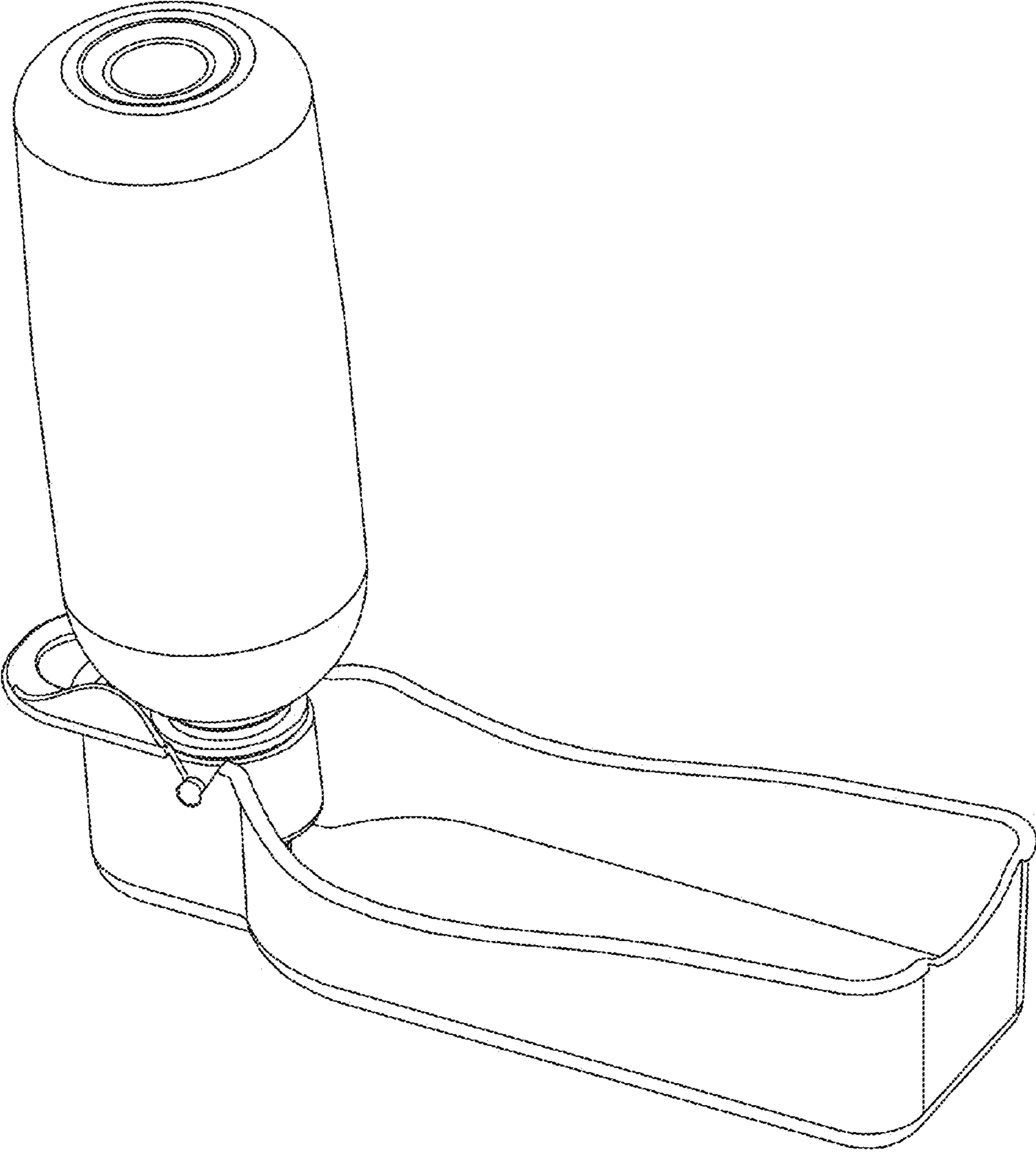


Fig.2

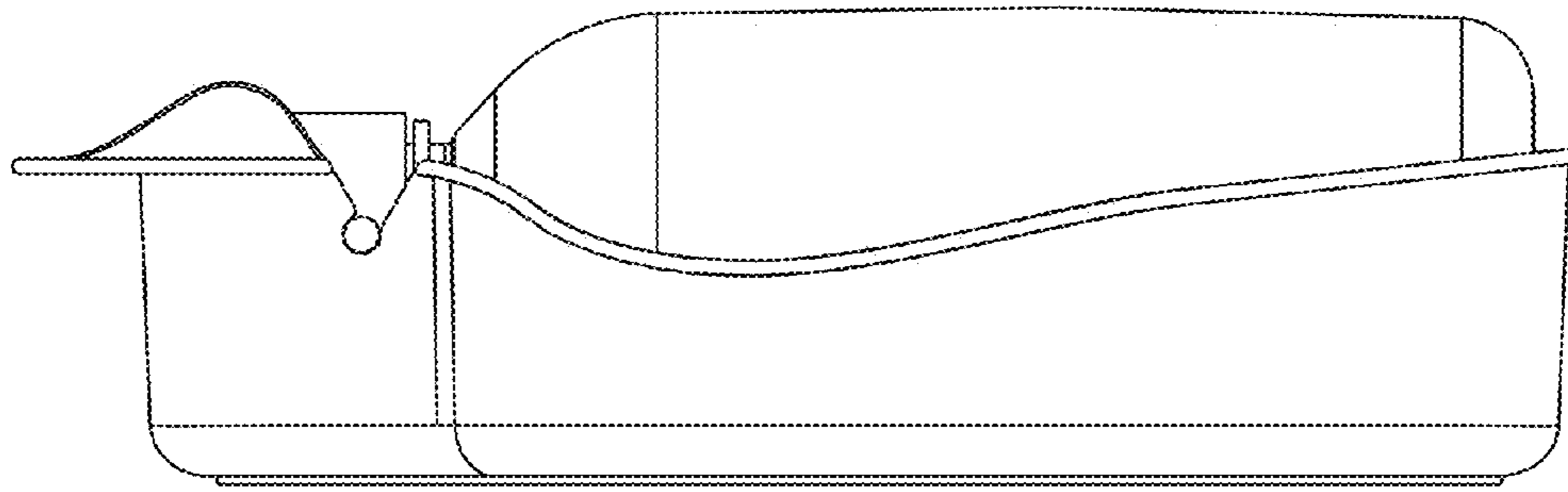


Fig.3

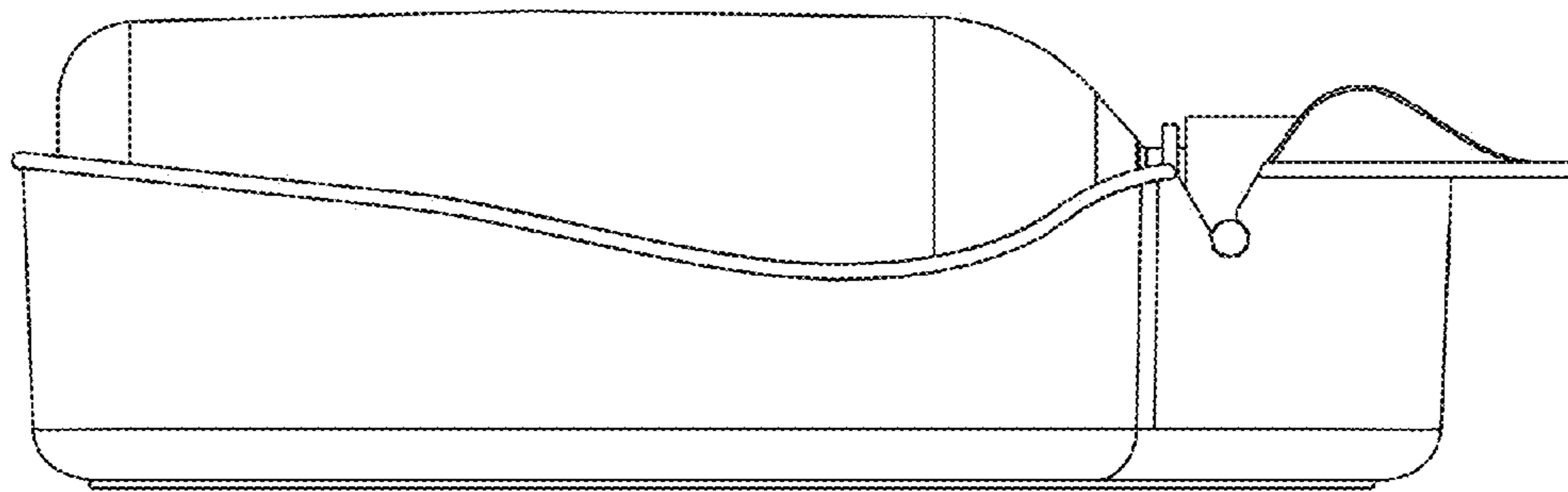


Fig.4

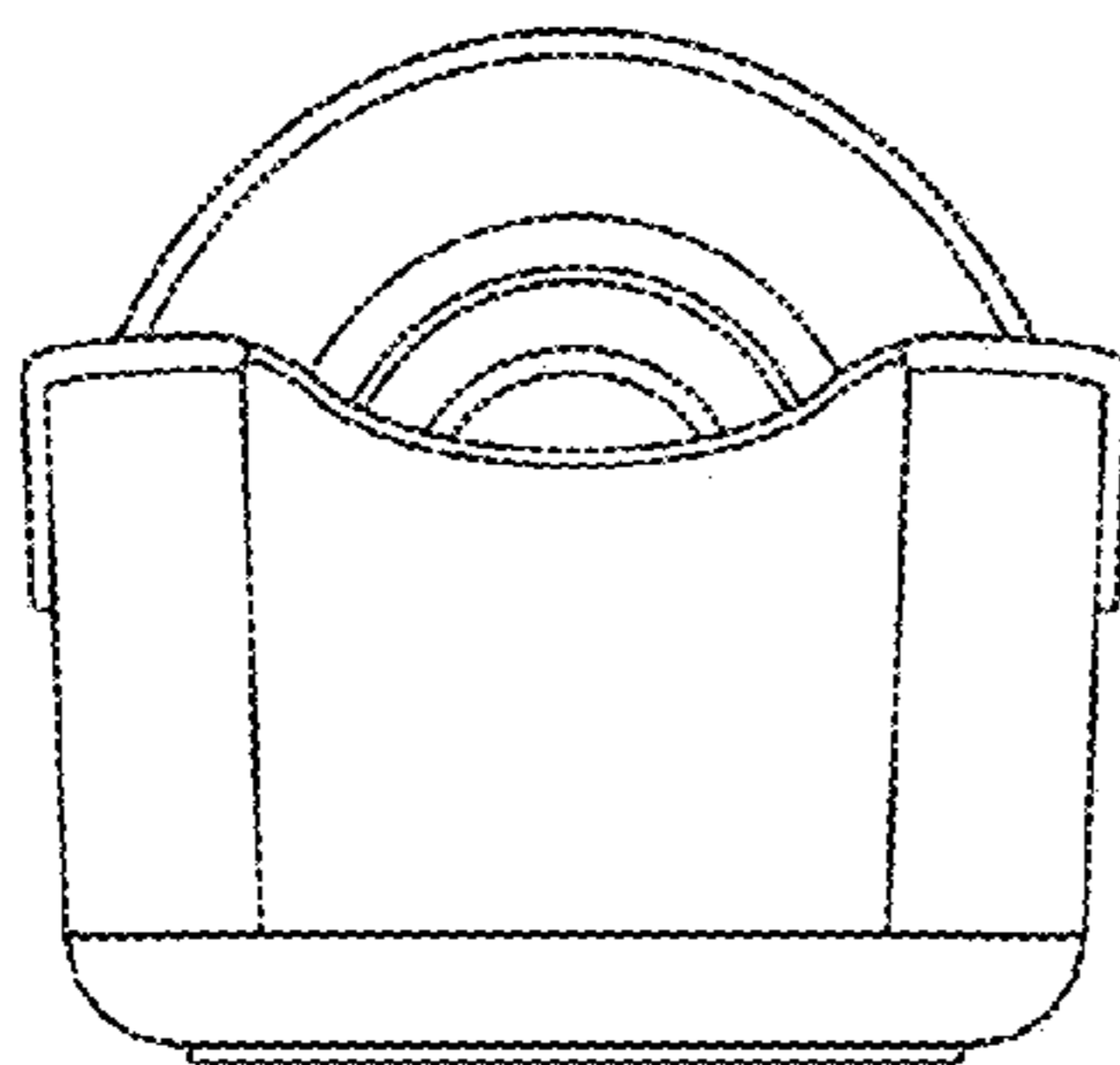


Fig.6

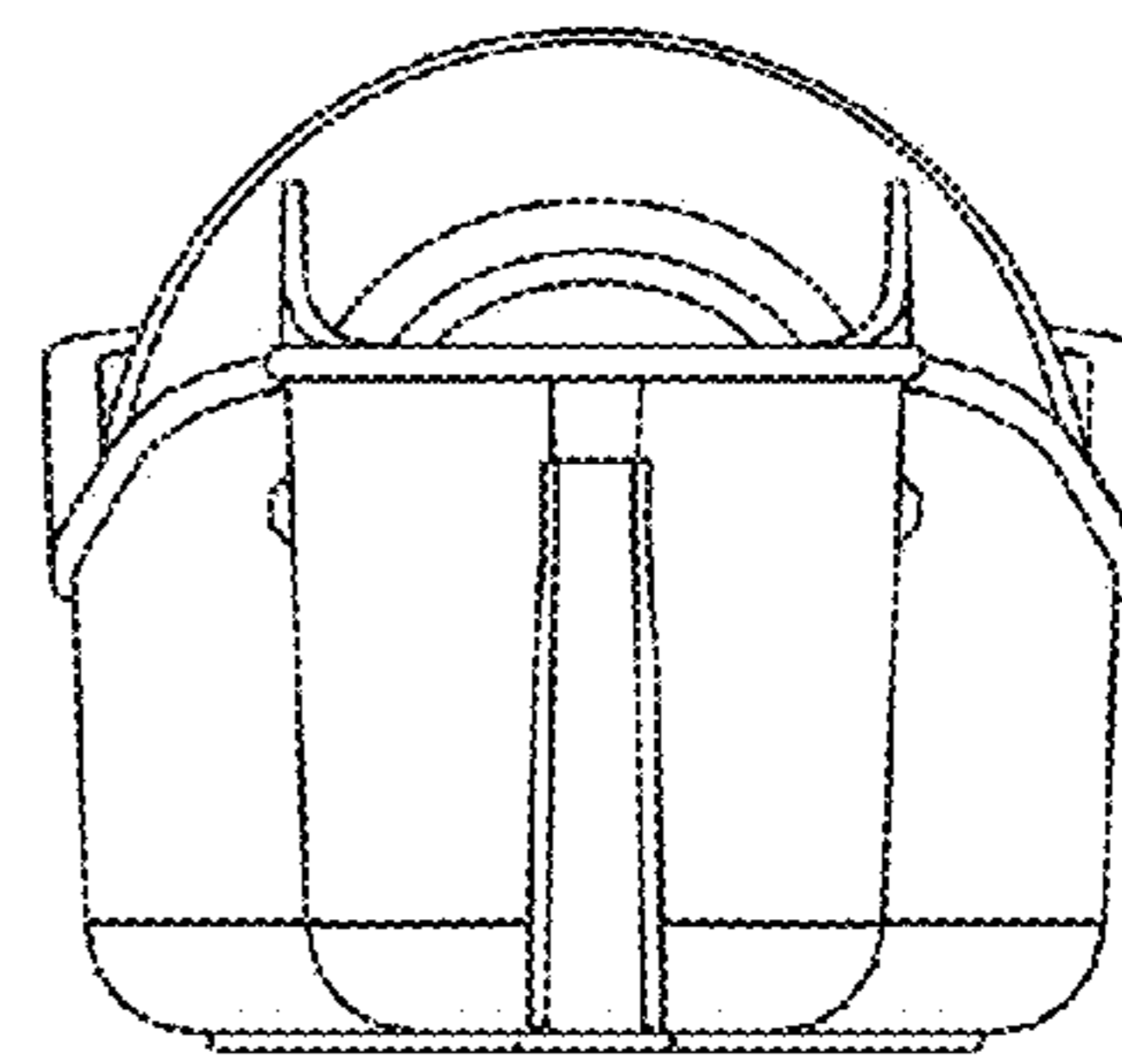


Fig.5

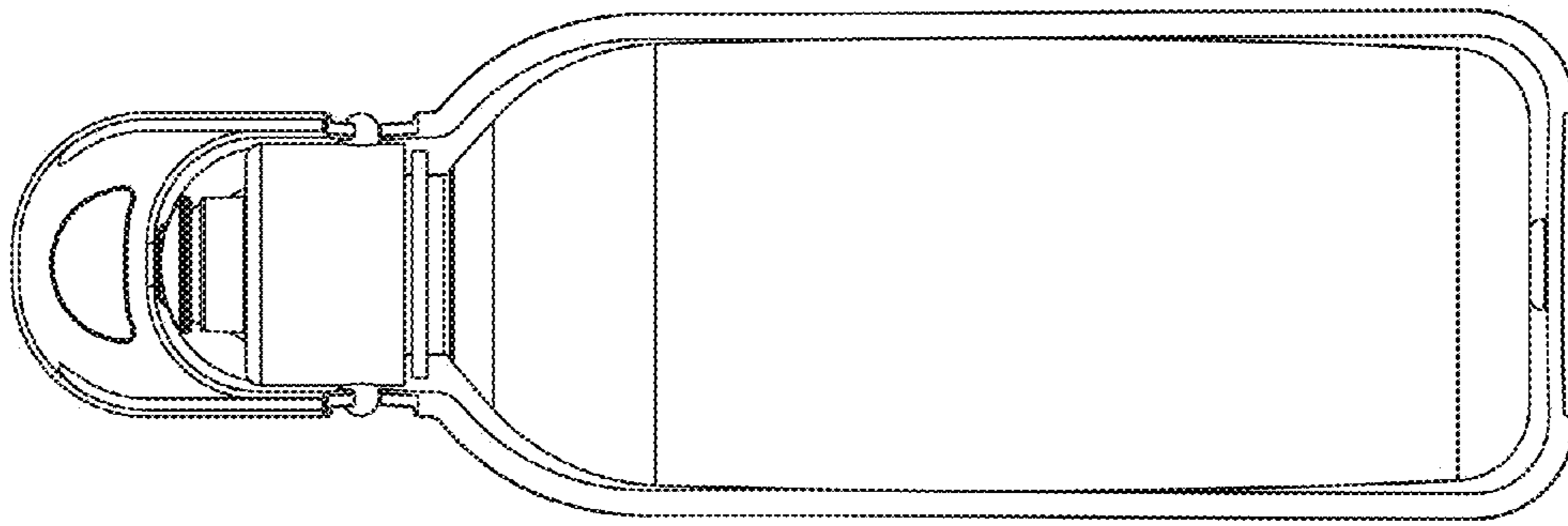


Fig.7

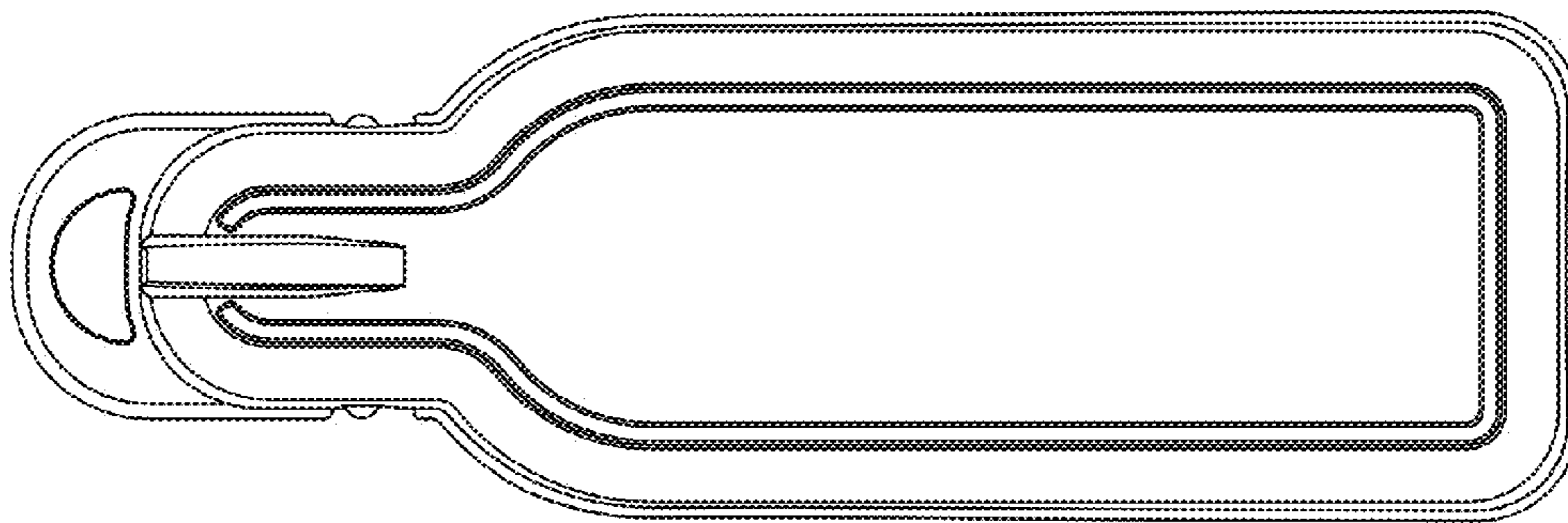


Fig.8