



US00D705497S

(12) **United States Design Patent**
Renforth et al.

(10) **Patent No.:** **US D705,497 S**

(45) **Date of Patent:** **** May 20, 2014**

(54) **PET CARRIER**

(71) Applicants: **Jack William Renforth**, Arlington, TX
(US); **Ann Hanson**, Ionia, MI (US)

(72) Inventors: **Jack William Renforth**, Arlington, TX
(US); **Ann Hanson**, Ionia, MI (US)

(73) Assignee: **Doskocil Manufacturing Company,**
Inc., Arlington, TX (US)

(**) Term: **14 Years**

(21) Appl. No.: **29/449,040**

(22) Filed: **Mar. 14, 2013**

(51) **LOC (10) Cl.** **30-02**

(52) **U.S. Cl.**
USPC **D30/108**

(58) **Field of Classification Search**
USPC D30/108-109, 112-113, 118, 161;
119/161, 165-167, 416, 452-454, 474,
119/482, 496-497, 500, 502
See application file for complete search history.

(56) **References Cited**

U.S. PATENT DOCUMENTS

2,601,197 A * 6/1952 Wilson 119/453
D443,957 S * 6/2001 Chambers D30/109
6,523,499 B1 * 2/2003 Chrisco et al. 119/496

D583,108 S * 12/2008 Richardson D30/109
7,665,421 B2 * 2/2010 Martz 119/497
8,087,385 B2 * 1/2012 Mirsky 119/496
D657,096 S * 4/2012 Leung D30/108
D662,263 S * 6/2012 Chau et al. D30/109
D662,264 S * 6/2012 Chau et al. D30/109
8,397,678 B2 * 3/2013 Willinger et al. 119/707
2002/0148741 A1 * 10/2002 Stobbs et al. 206/112
2008/0245312 A1 * 10/2008 Leung et al. 119/497
2010/0313824 A1 * 12/2010 Northrop et al. 119/496

* cited by examiner

Primary Examiner — Cathy A MacCormac

(74) *Attorney, Agent, or Firm* — Eckert Seamans Cherin &
Mellott, LLC; Brij K. Agarwal

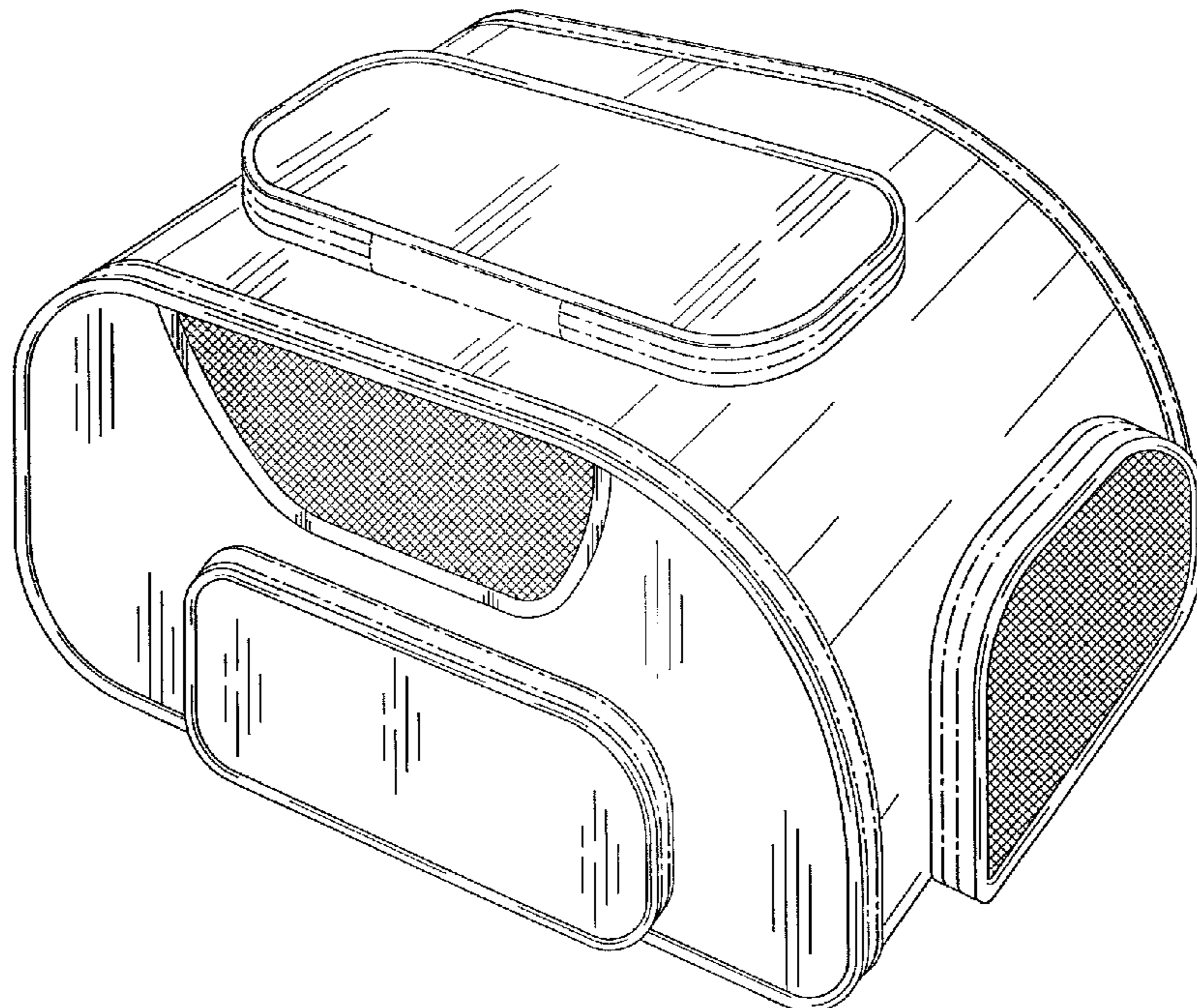
(57) **CLAIM**

The ornamental design for a pet carrier, as shown and
described.

DESCRIPTION

FIG. 1 is a perspective view of the pet carrier;
FIG. 2 is left side elevational view thereof;
FIG. 3 is a front elevational view thereof;
FIG. 4 is a right side elevational view thereof;
FIG. 5 is a rear elevational view thereof;
FIG. 6 is a top plan view thereof; and,
FIG. 7 is a bottom plan view thereof.
The broken lines are for illustration only and form no part of
the claimed design.

1 Claim, 7 Drawing Sheets



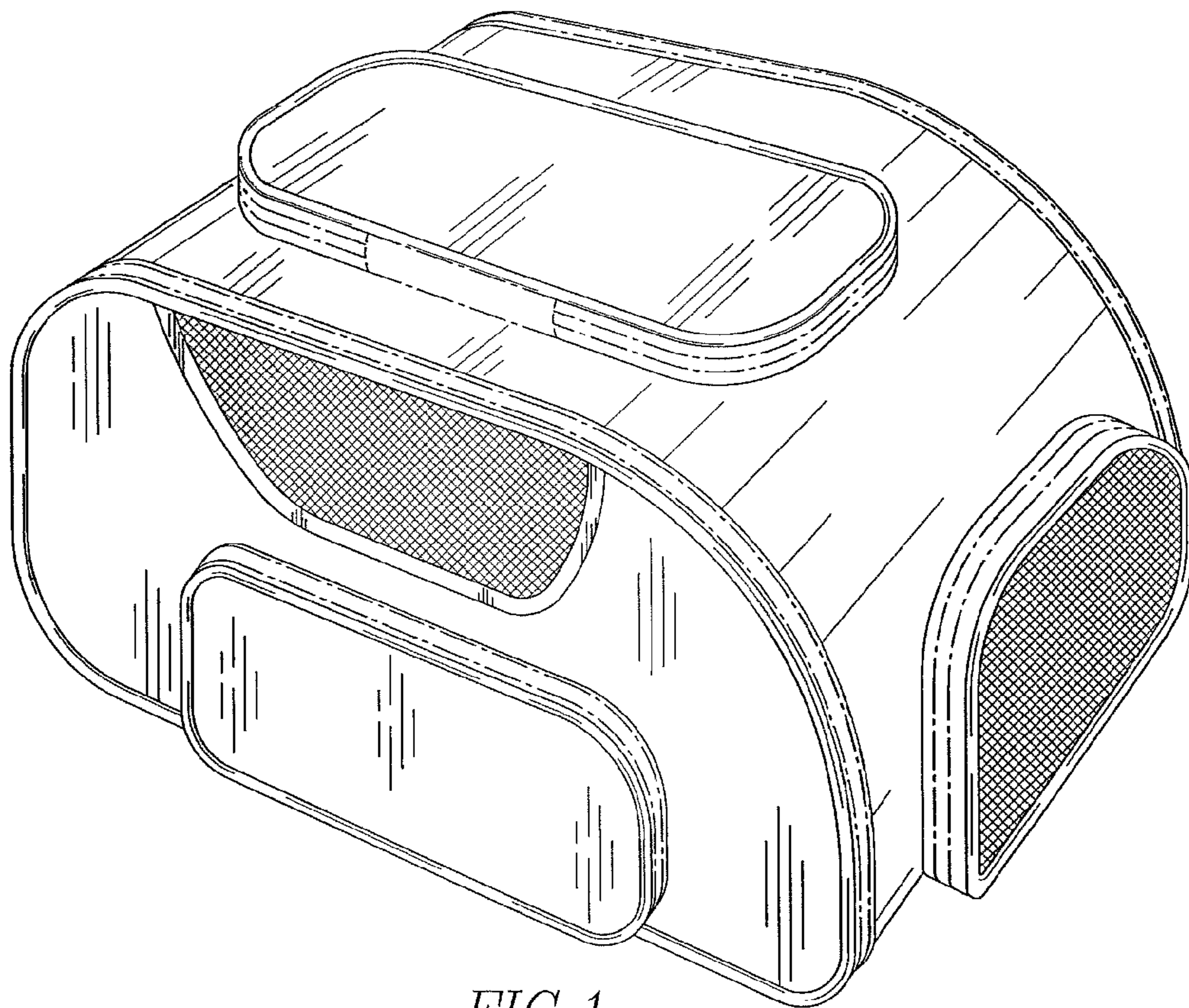


FIG. 1

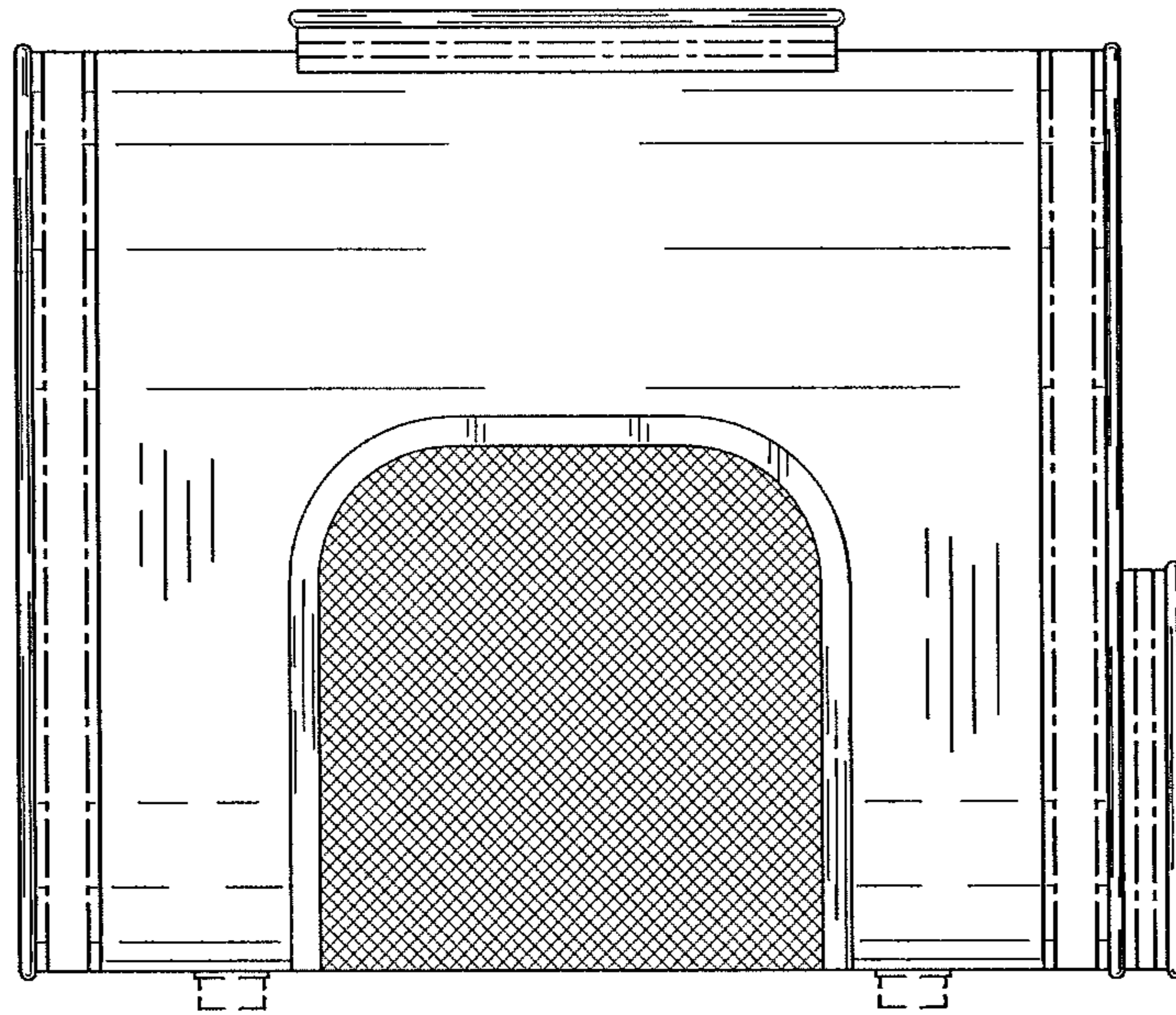


FIG. 2

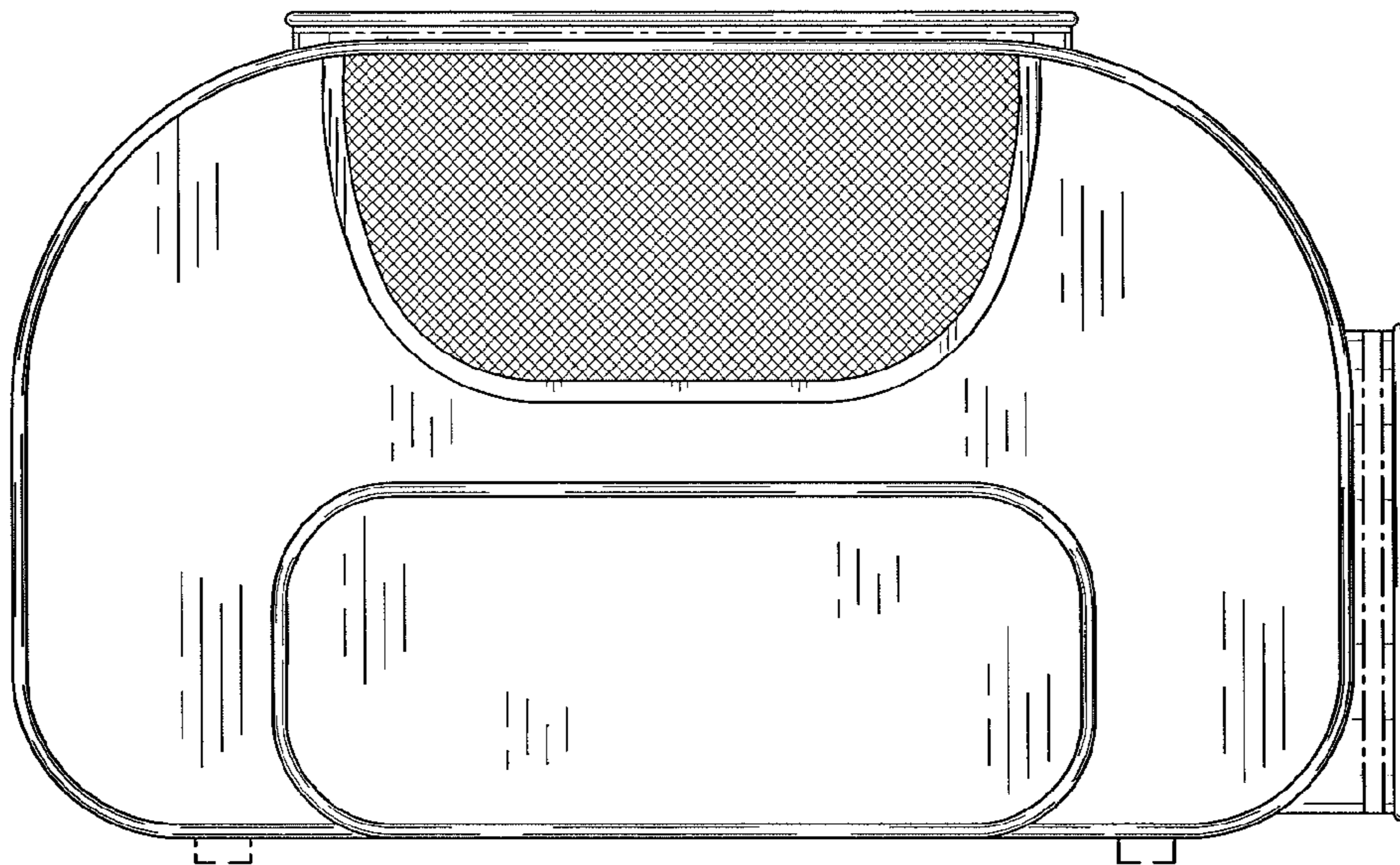


FIG. 3

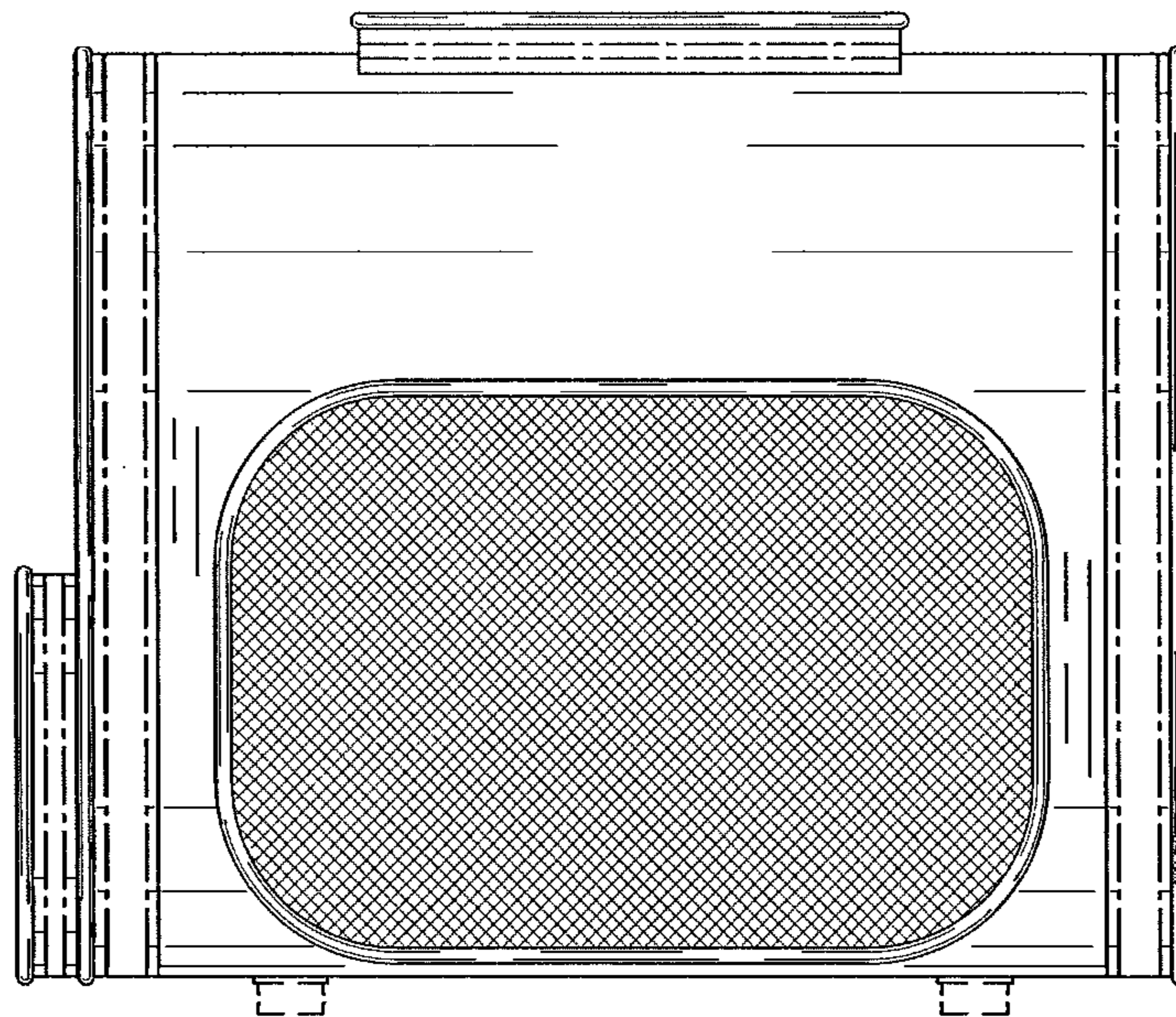


FIG. 4

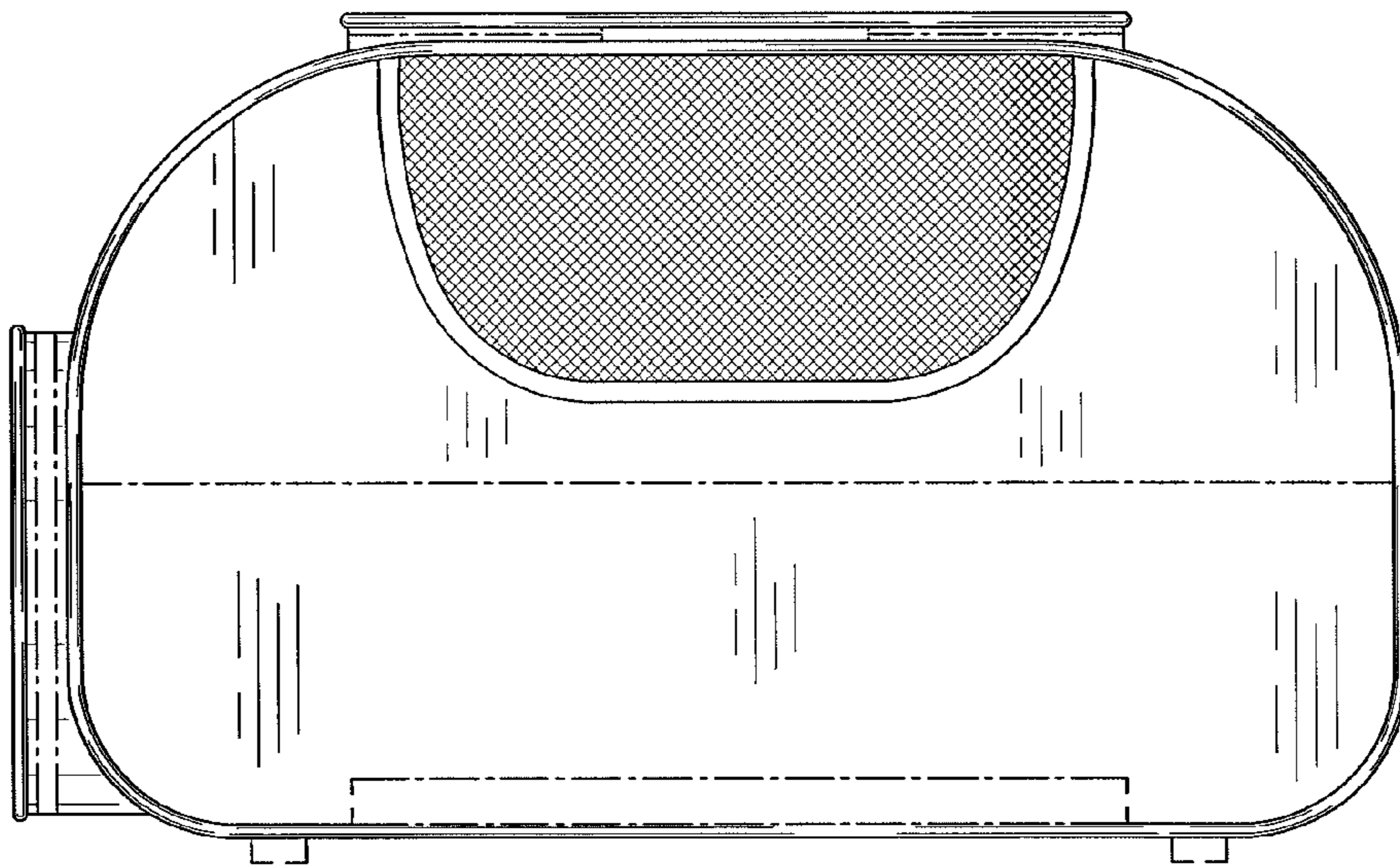


FIG.5

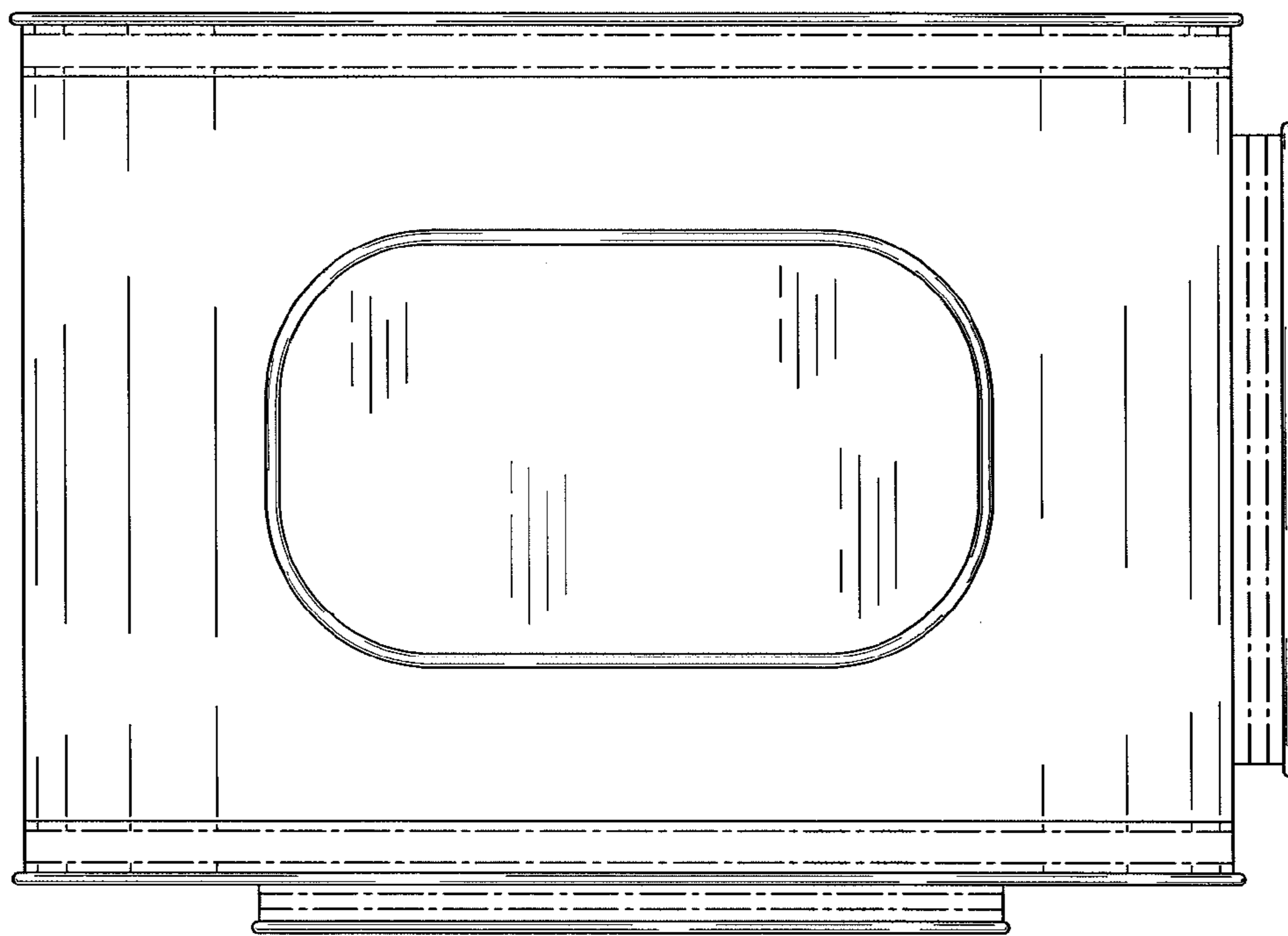


FIG. 6

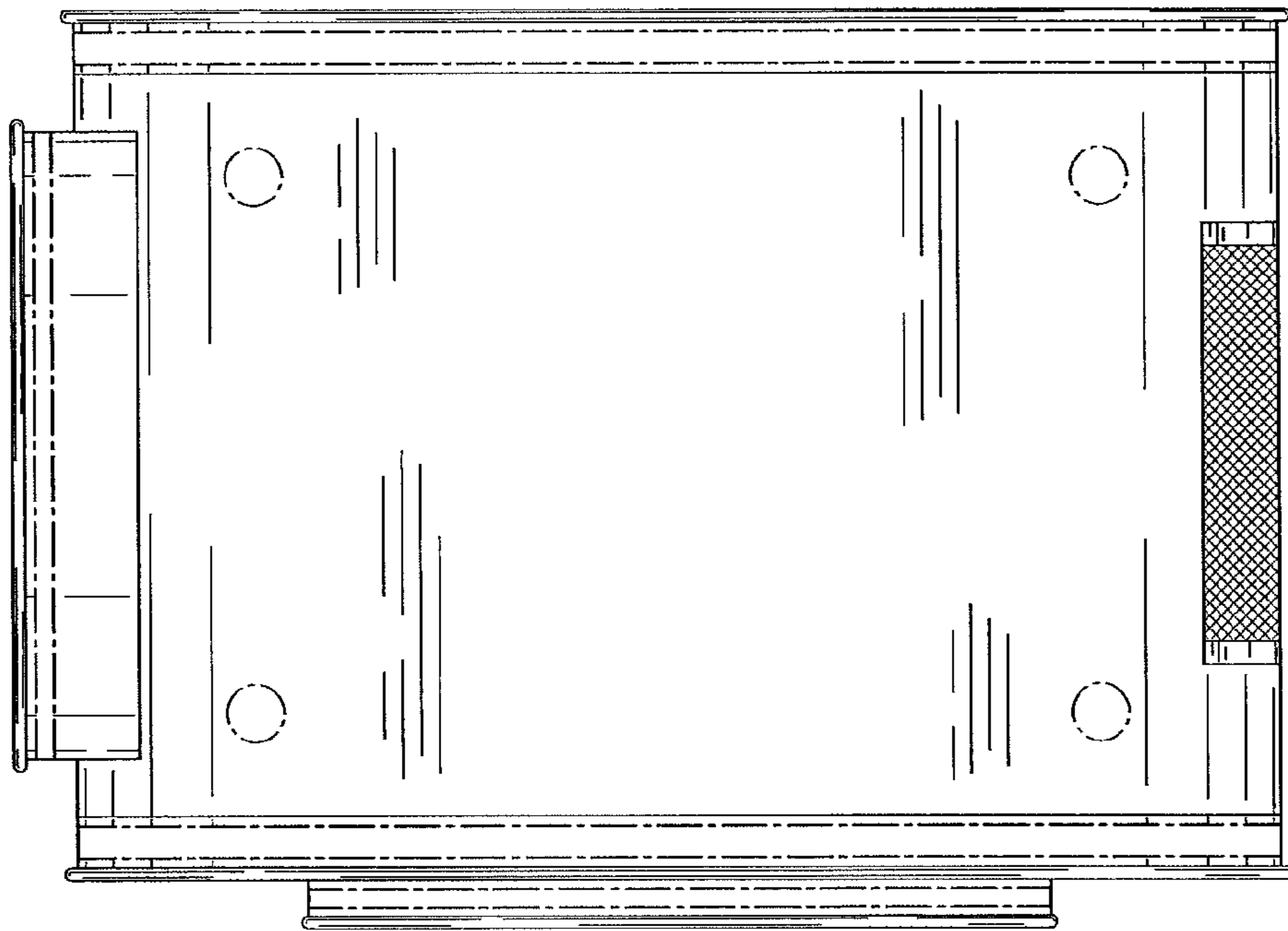


FIG. 7