



US00D705496S

(12) **United States Design Patent**  
**Veness et al.**

(10) **Patent No.:** **US D705,496 S**

(45) **Date of Patent:** **\*\* May 20, 2014**

(54) **PET CARRIER**

(71) Applicants: **David Veness**, Fort Worth, TX (US);  
**Adam Ward Weber**, Fort Worth, TX  
(US); **Michael Don Harper**, Fort Worth,  
TX (US)

(72) Inventors: **David Veness**, Fort Worth, TX (US);  
**Adam Ward Weber**, Fort Worth, TX  
(US); **Michael Don Harper**, Fort Worth,  
TX (US)

(73) Assignee: **Doskocil Manufacturing Company,**  
**Inc.**, Arlington, TX (US)

(\*\*) Term: **14 Years**

(21) Appl. No.: **29/439,551**

(22) Filed: **Dec. 12, 2012**

(51) **LOC (10) Cl.** ..... **30-02**

(52) **U.S. Cl.**  
USPC ..... **D30/108**

(58) **Field of Classification Search**  
USPC ..... D30/108-109, 112-117, 160-161;  
119/452-453, 474, 481-482, 489, 491,  
119/494, 496-498, 501, 513-514  
See application file for complete search history.

(56) **References Cited**

**U.S. PATENT DOCUMENTS**

3,490,417 A \* 1/1970 Swinney ..... 119/496  
D314,251 S \* 1/1991 Van Skiver ..... D30/109

D361,175 S \* 8/1995 VanSkiver ..... D30/161  
D471,676 S \* 3/2003 Kinder et al. .... D30/108  
6,571,740 B1 \* 6/2003 Kinder et al. .... 119/497  
D545,507 S \* 6/2007 Harper et al. .... D30/108  
D546,005 S \* 7/2007 Harper et al. .... D30/108  
D551,399 S \* 9/2007 Harper et al. .... D30/108  
D671,691 S \* 11/2012 Neilan ..... D30/108

\* cited by examiner

*Primary Examiner* — Cathy A MacCormac

(74) *Attorney, Agent, or Firm* — Eckert Seamans Cherin &  
Mellott, LLC; Brij K. Agarwal

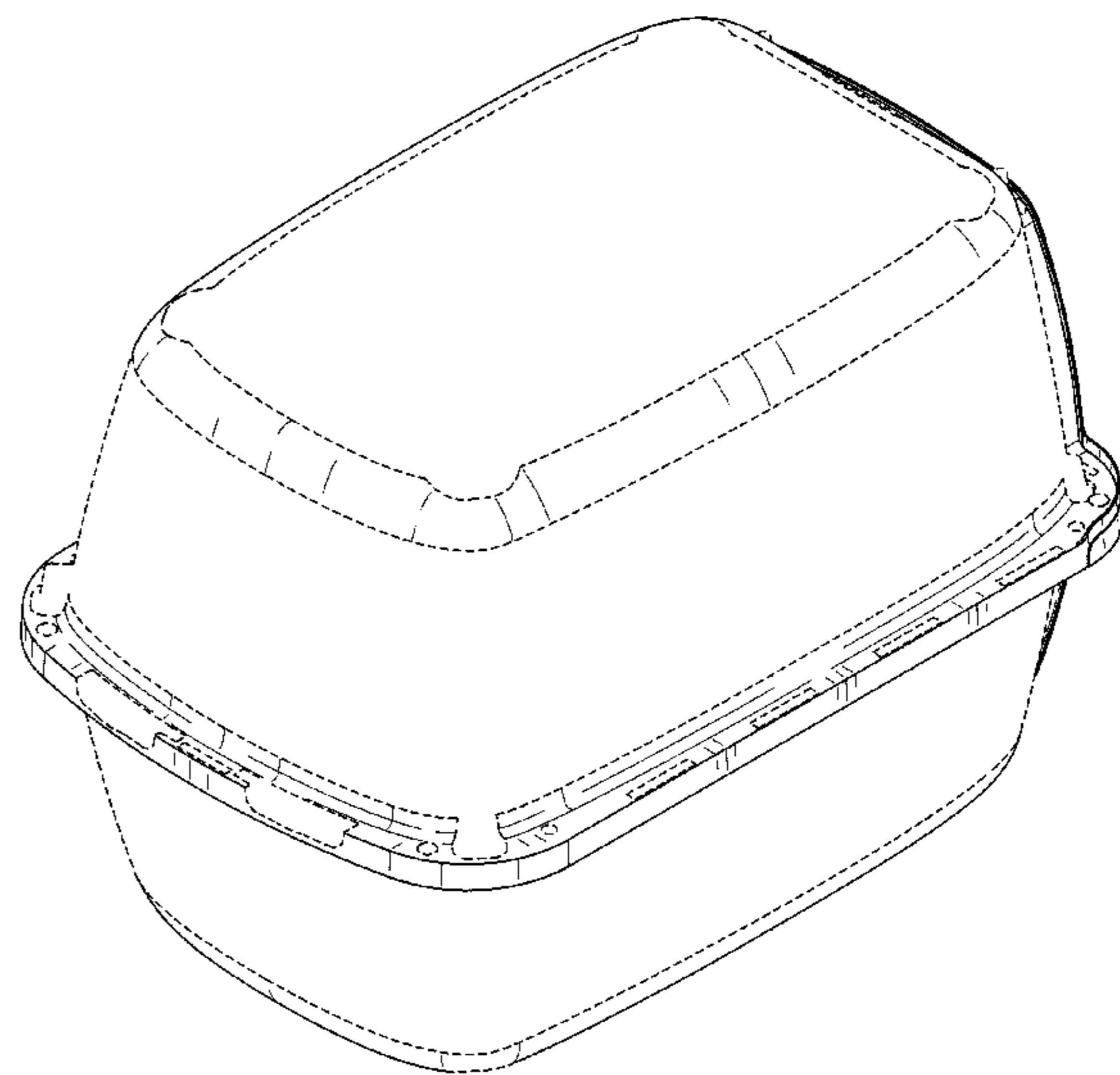
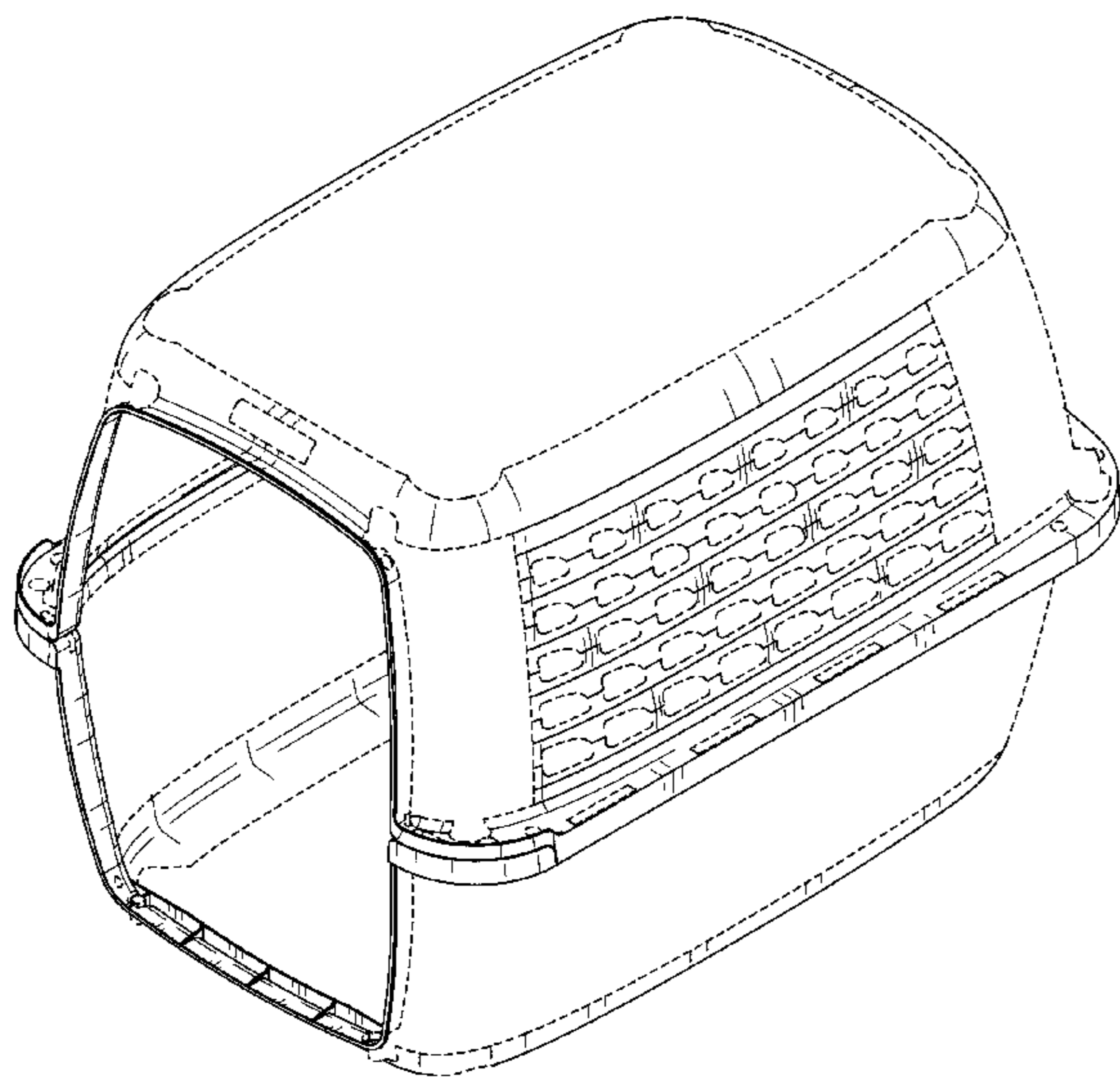
(57) **CLAIM**

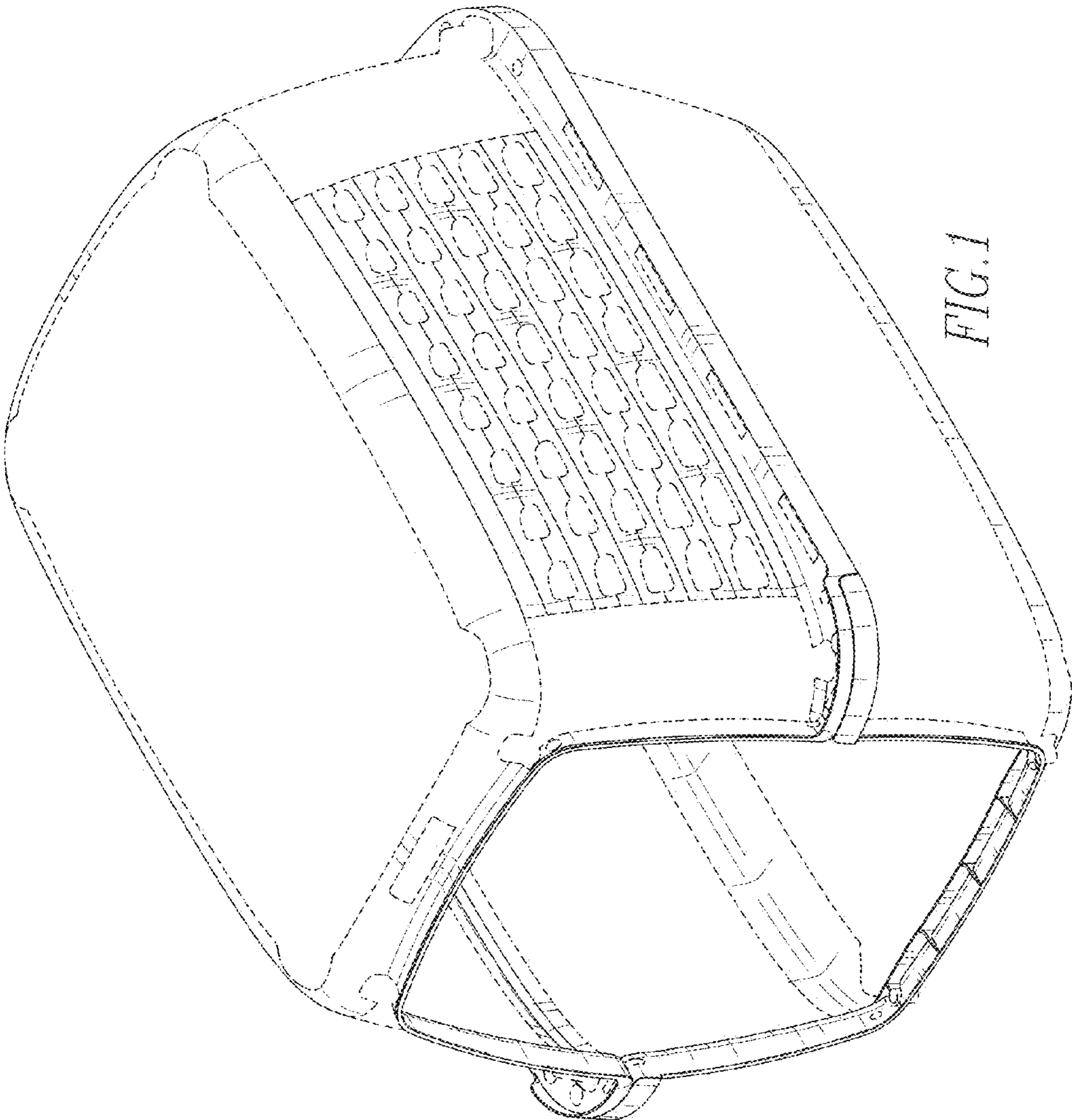
The ornamental design for a pet carrier, as shown and  
described.

**DESCRIPTION**

FIG. 1 is a front perspective view of a pet carrier showing our  
new design;  
FIG. 2 is a rear perspective view thereof;  
FIG. 3 is a front elevational view thereof;  
FIG. 4 is a right side elevational view thereof;  
FIG. 5 is a rear elevational view thereof;  
FIG. 6 is a bottom plan view thereof;  
FIG. 7 is a top plan view thereof; and,  
FIG. 8 is a left side elevational view thereof.  
The broken lines are for illustration only and form no part of  
the claimed design.

**1 Claim, 8 Drawing Sheets**





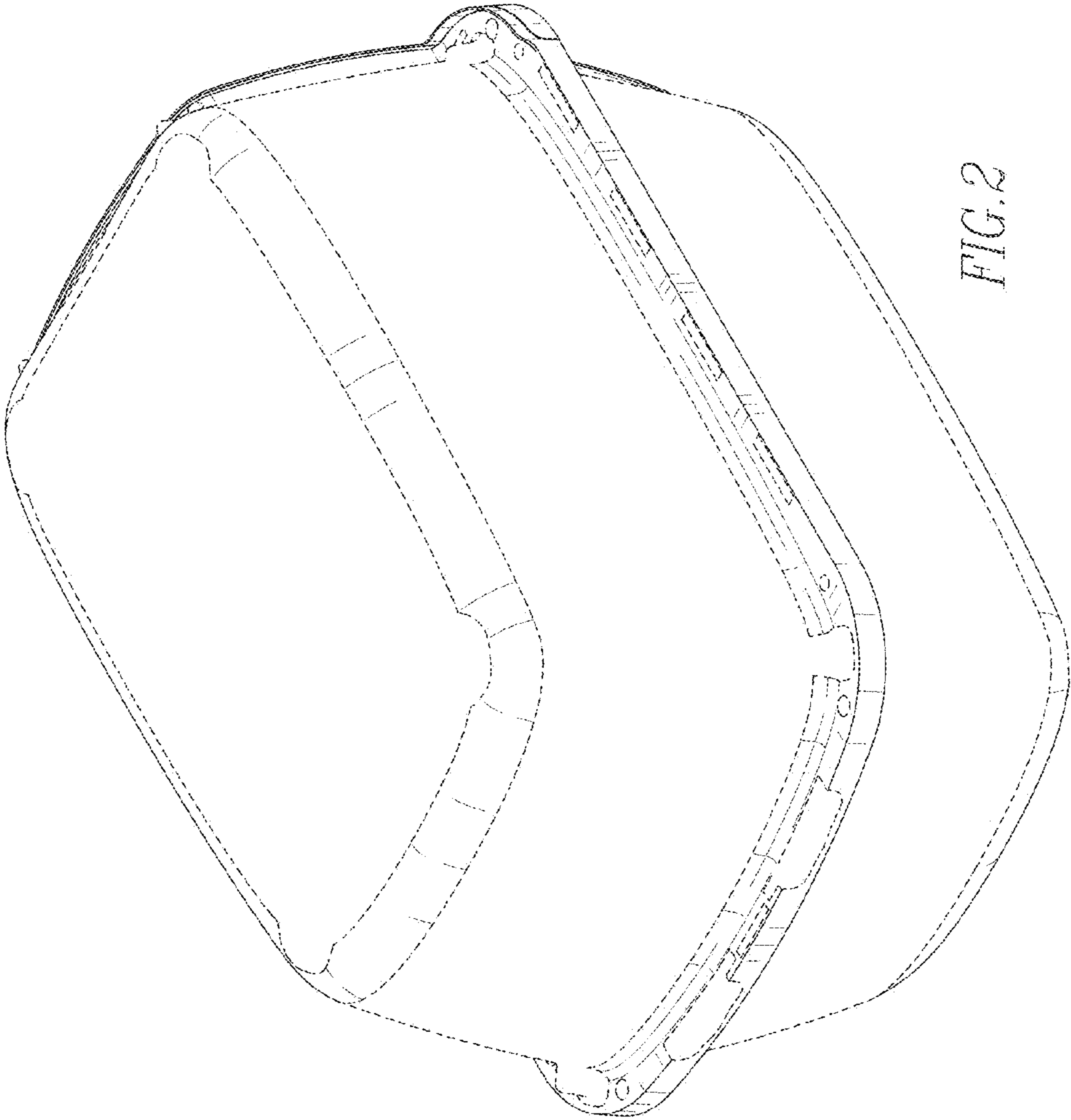


FIG. 2

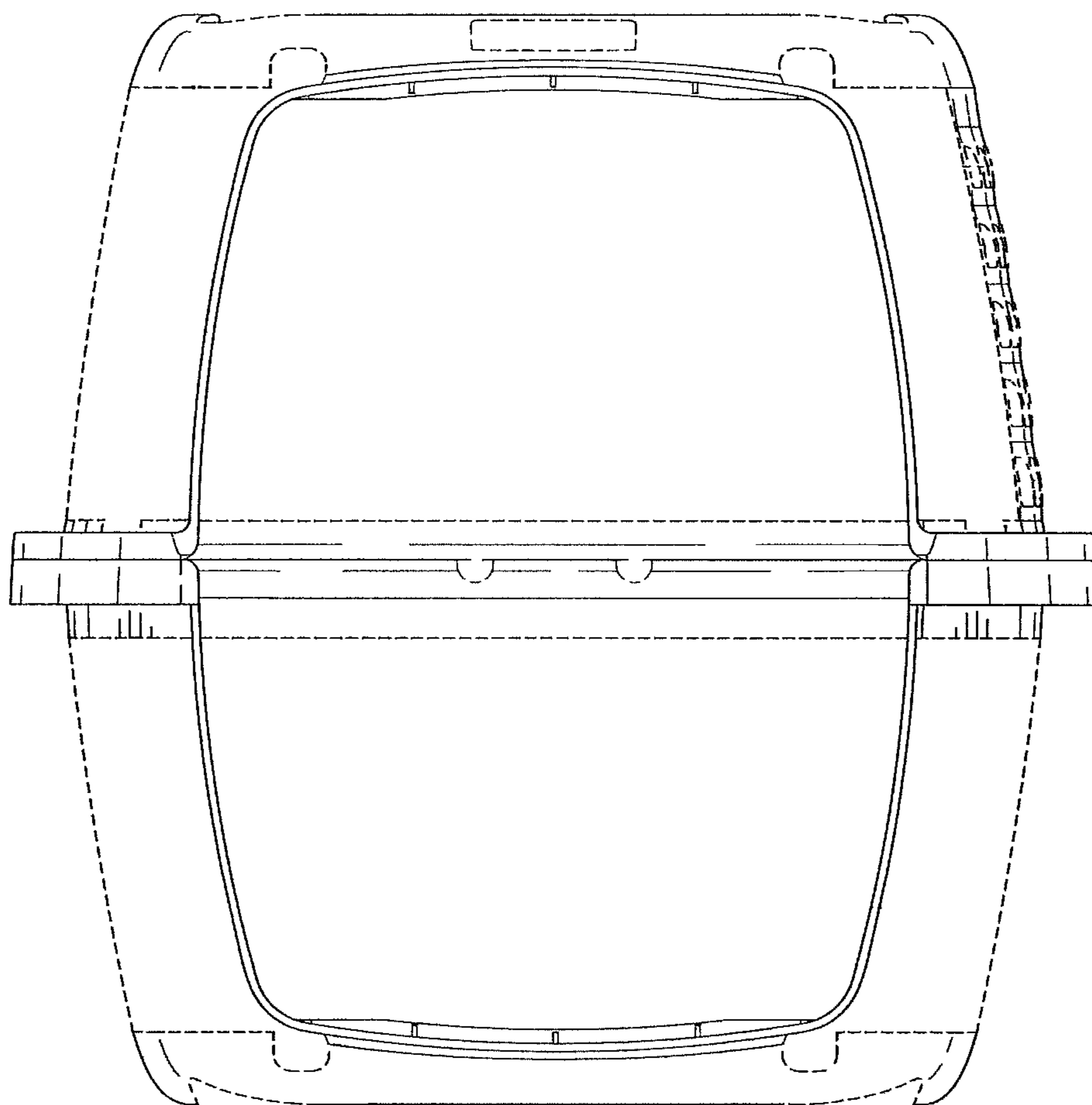


FIG. 3

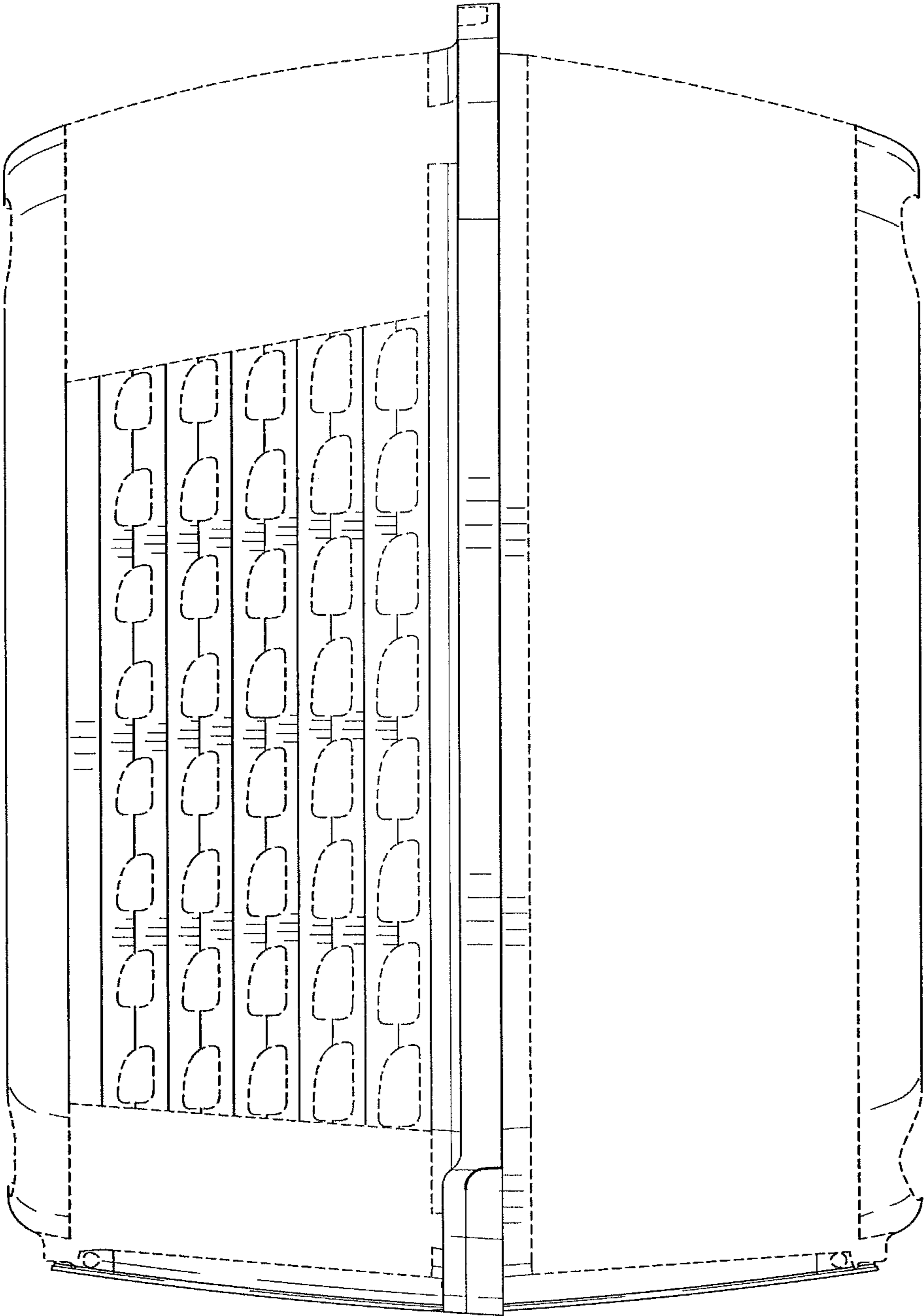


FIG. 4

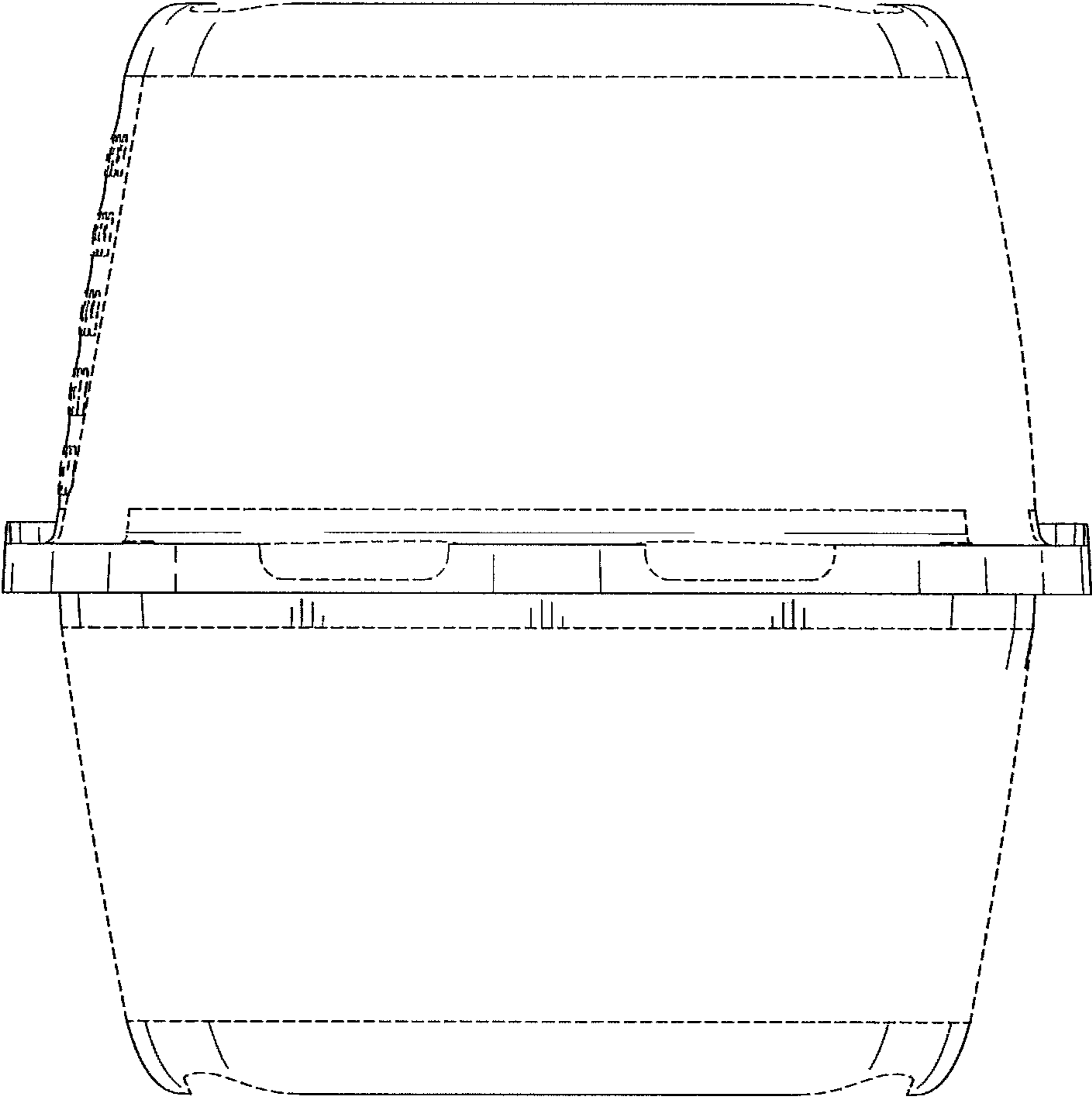


FIG. 5

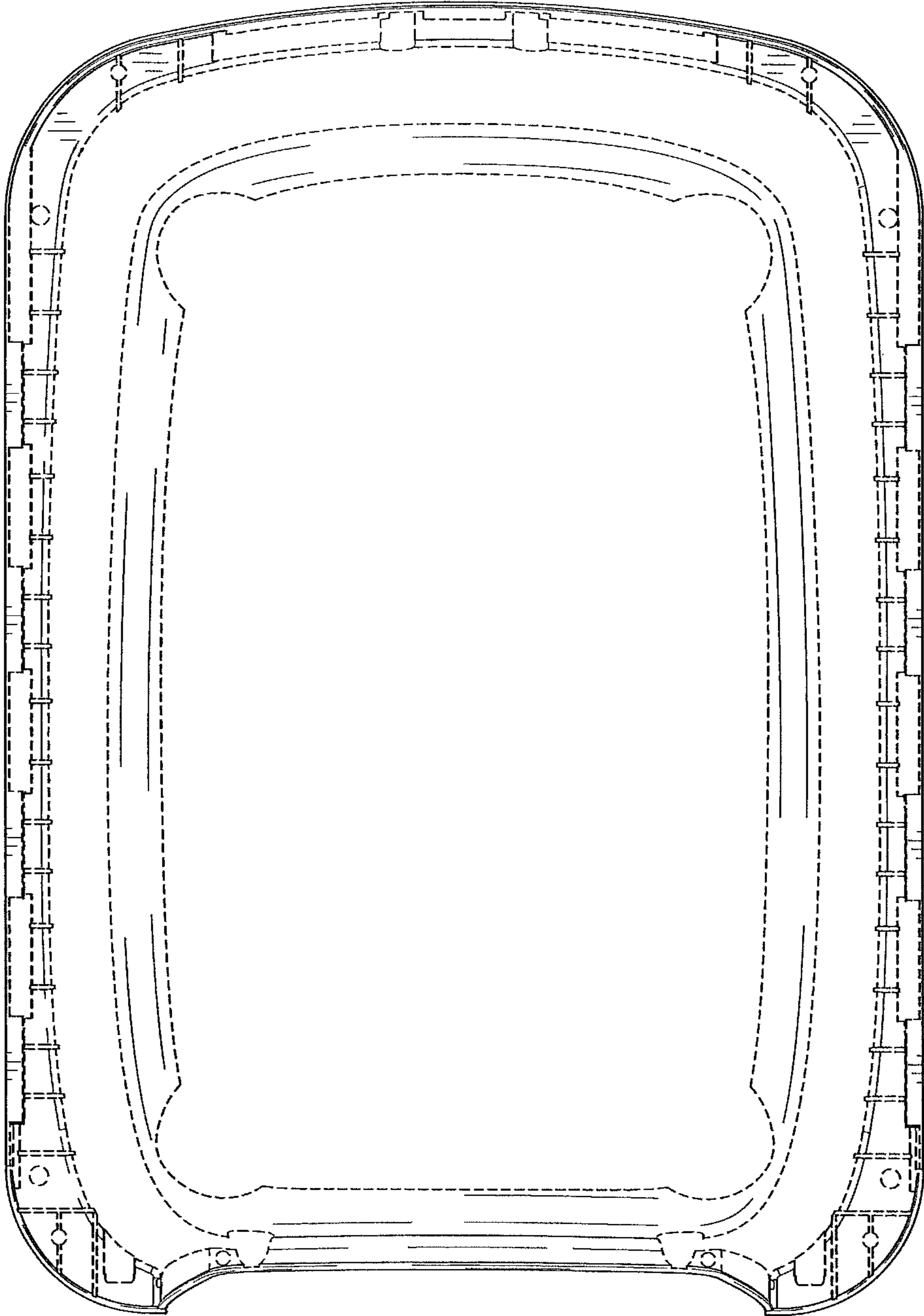


FIG. 6

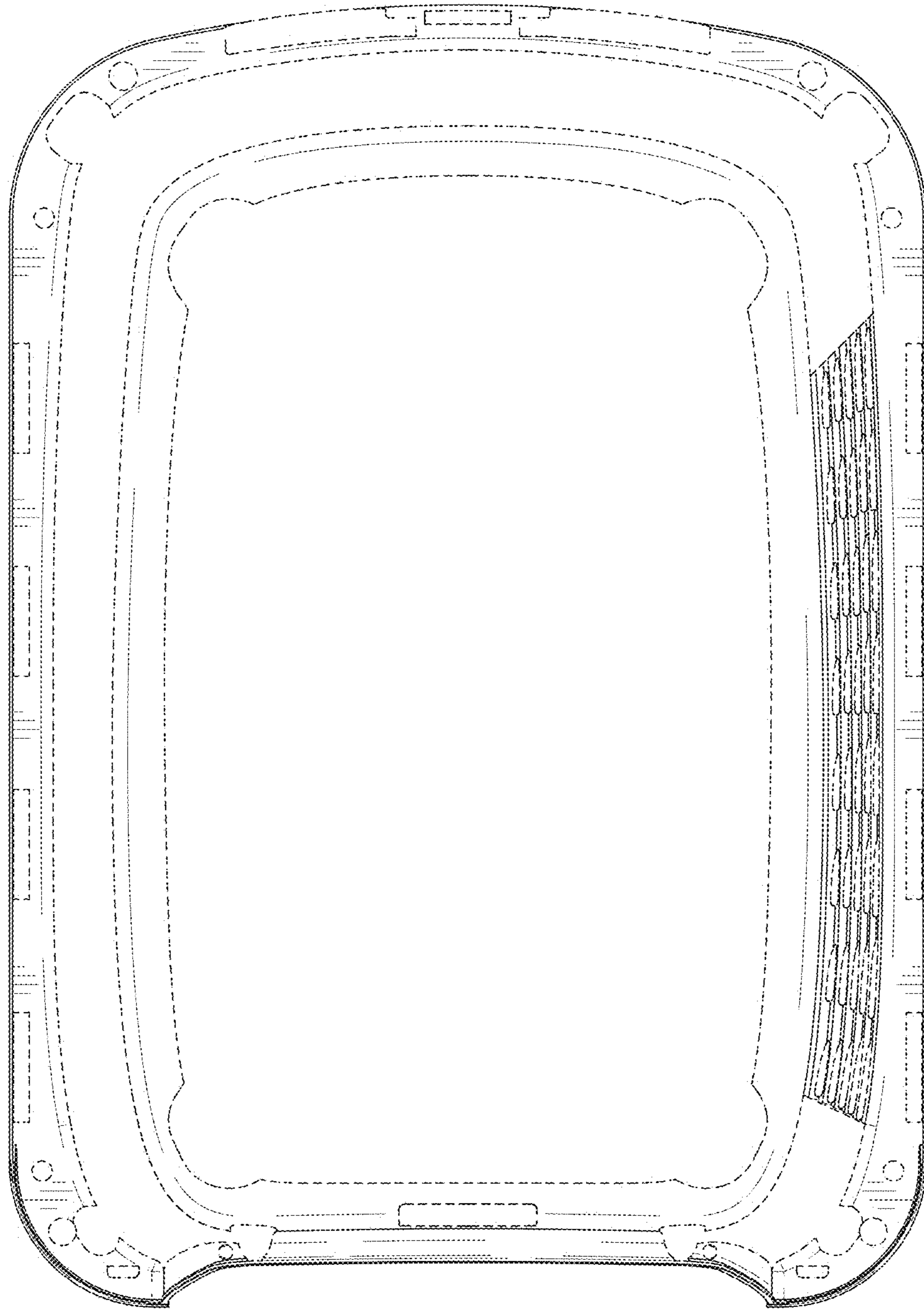


FIG. 7



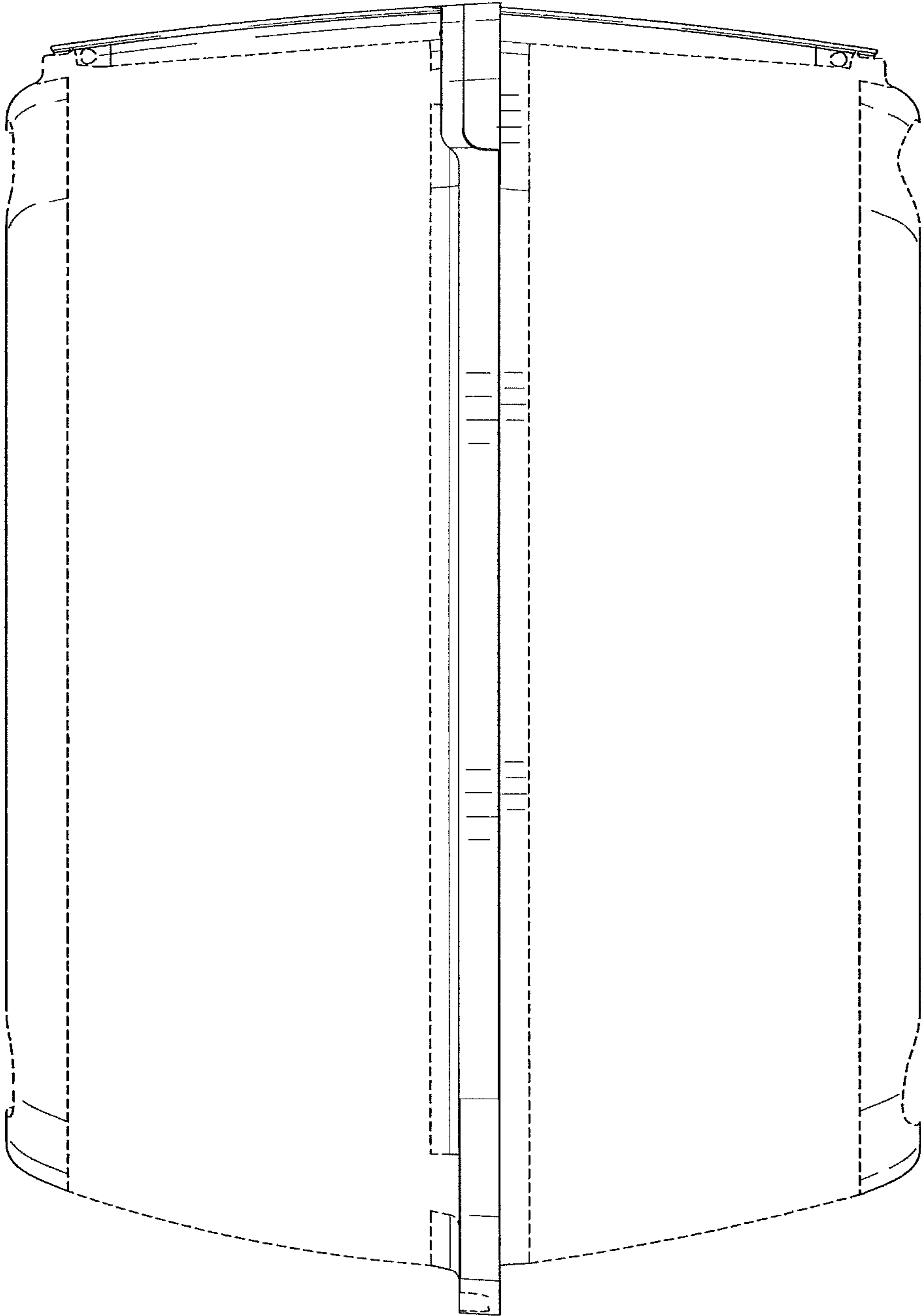


FIG. 8