



US00D705494S

(12) **United States Design Patent**  
**Bradley**

(10) **Patent No.:** **US D705,494 S**

(45) **Date of Patent:** **\*\* May 20, 2014**

(54) **RESCUE SLED**

(71) Applicant: **Todd Bradley**, Honolulu, HI (US)

(72) Inventor: **Todd Bradley**, Honolulu, HI (US)

(\*\*) Term: **14 Years**

(21) Appl. No.: **29/451,483**

(22) Filed: **Apr. 2, 2013**

(51) **LOC (10) Cl.** ..... **29-02**

(52) **U.S. Cl.**  
USPC ..... **D29/124**

(58) **Field of Classification Search**  
USPC ..... D29/124; D12/128-133; 5/625-629,  
5/636, 484, 499, 691, 891 T; 128/869,  
128/870, 845; D24/190, 191; 296/65.03,  
296/65.04; 280/15, 18, 19, 158; 441/80, 82,  
441/88

See application file for complete search history.

(56) **References Cited**

**U.S. PATENT DOCUMENTS**

5,113,876 A \* 5/1992 Herman ..... 5/628  
D421,413 S \* 3/2000 Calkin ..... D12/128

6,371,119 B1 \* 4/2002 Zadini et al. .... 128/845  
6,641,446 B1 \* 11/2003 Bentley ..... 441/82  
6,848,134 B1 \* 2/2005 Schenck ..... 5/625  
6,915,805 B2 \* 7/2005 Crutchfield ..... 128/870  
6,954,952 B1 \* 10/2005 Kroupa ..... 5/625  
7,036,167 B2 \* 5/2006 Tomcany et al. .... 5/628  
7,530,126 B2 \* 5/2009 Thompson et al. .... 5/625  
7,673,355 B2 \* 3/2010 Fischer ..... 5/625

\* cited by examiner

*Primary Examiner* — Randall Gholson

(74) *Attorney, Agent, or Firm* — Leighton K. Chong

(57) **CLAIM**

The ornamental design for a rescue sled, as shown and described.

**DESCRIPTION**

FIG. 1 is a front perspective view of my new design for a rescue sled;

FIG. 2 is a top view of the article in FIG. 1;

FIG. 3 is a bottom view of the article in FIG. 1;

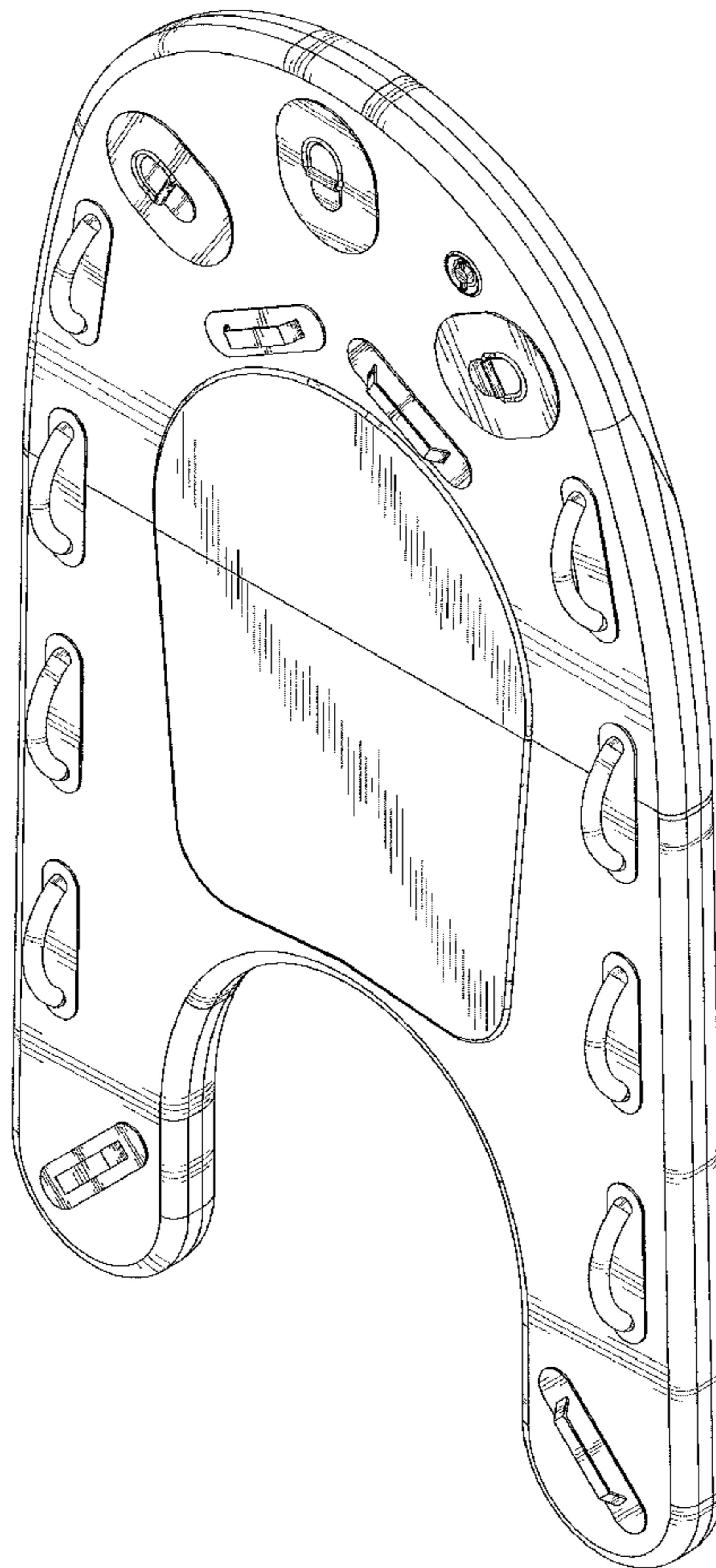
FIG. 4 is a right side view of the article in FIG. 1;

FIG. 5 is a left side view of the article in FIG. 1;

FIG. 6 is a front end view of the article in FIG. 1; and,

FIG. 7 is a back end view of the article in FIG. 1.

**1 Claim, 6 Drawing Sheets**



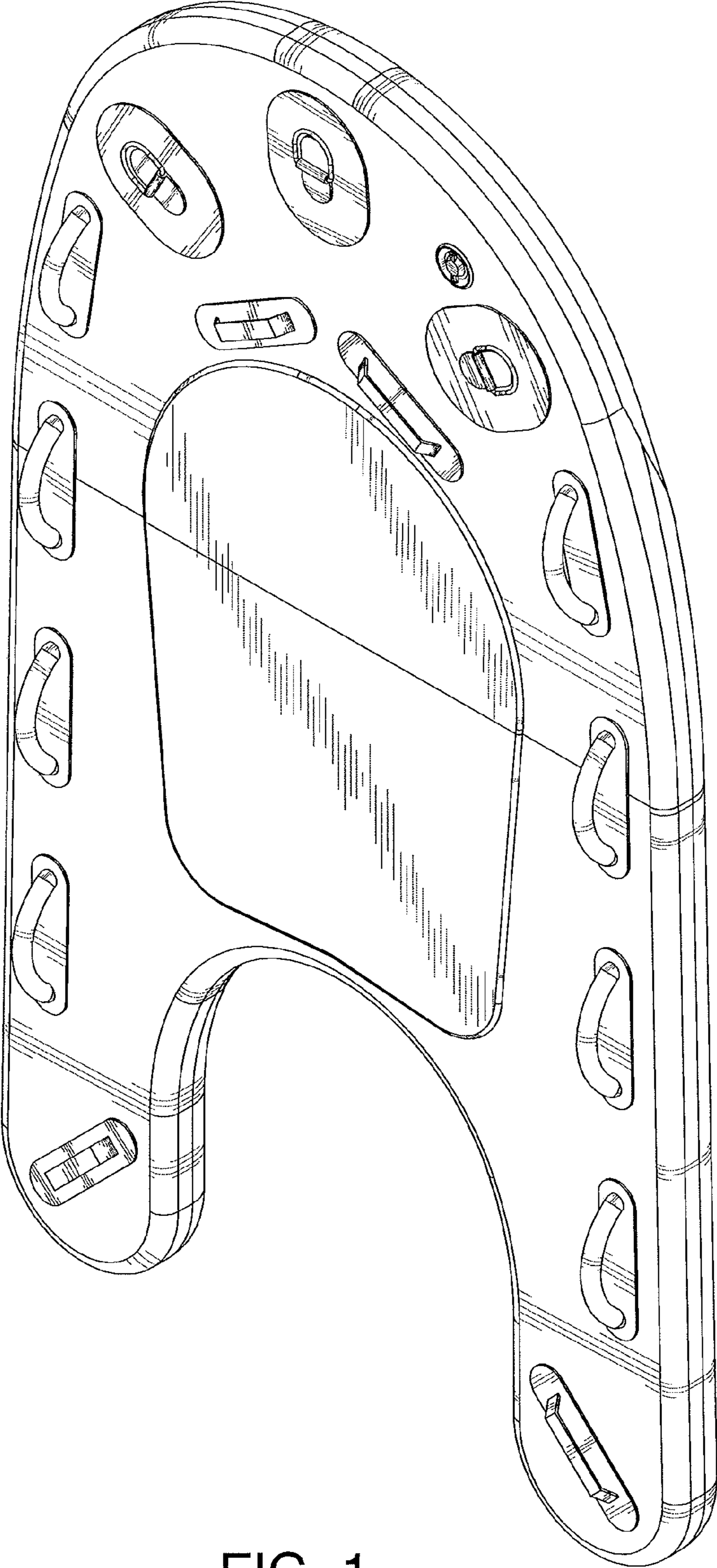


FIG. 1

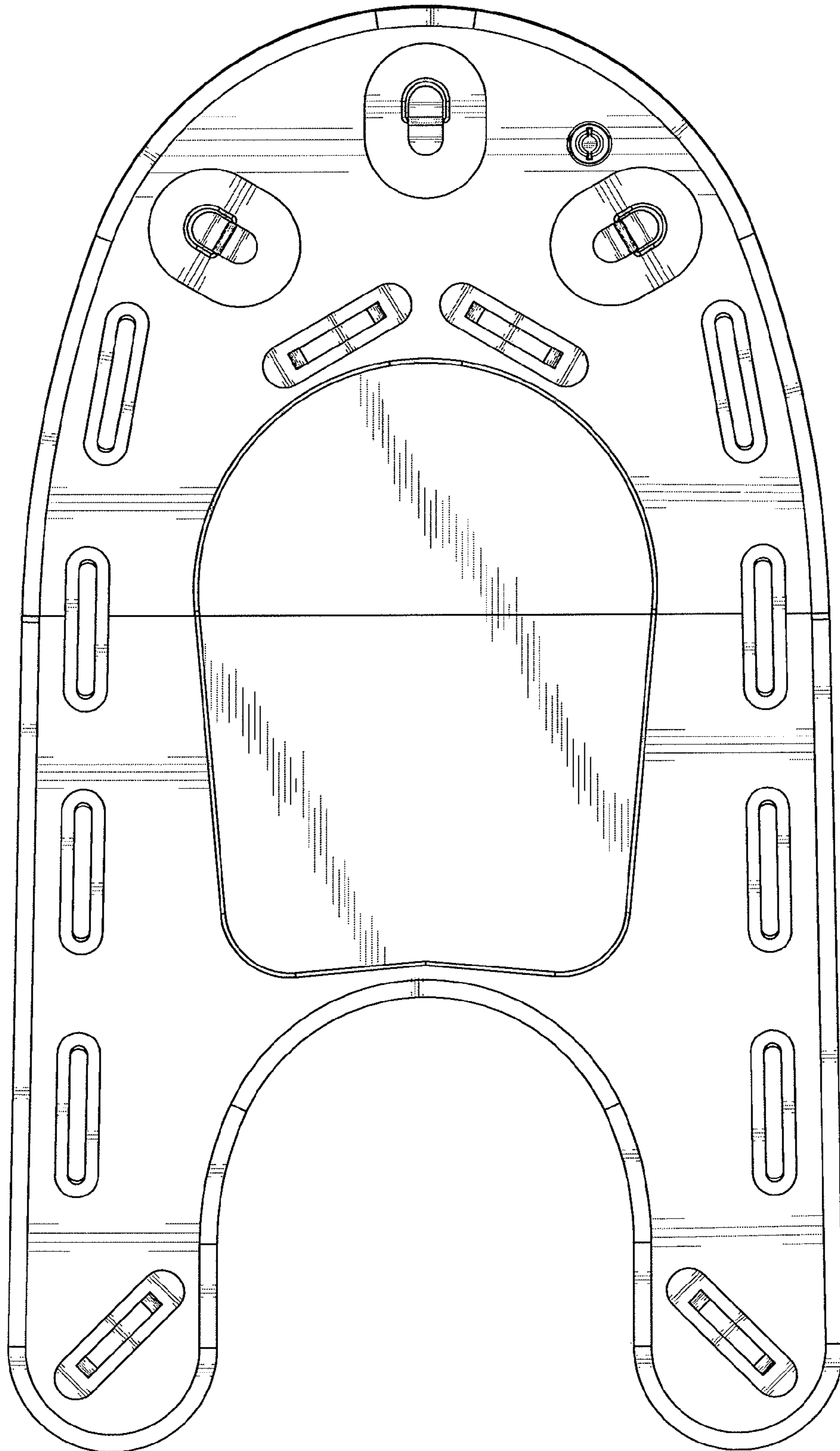


FIG. 2

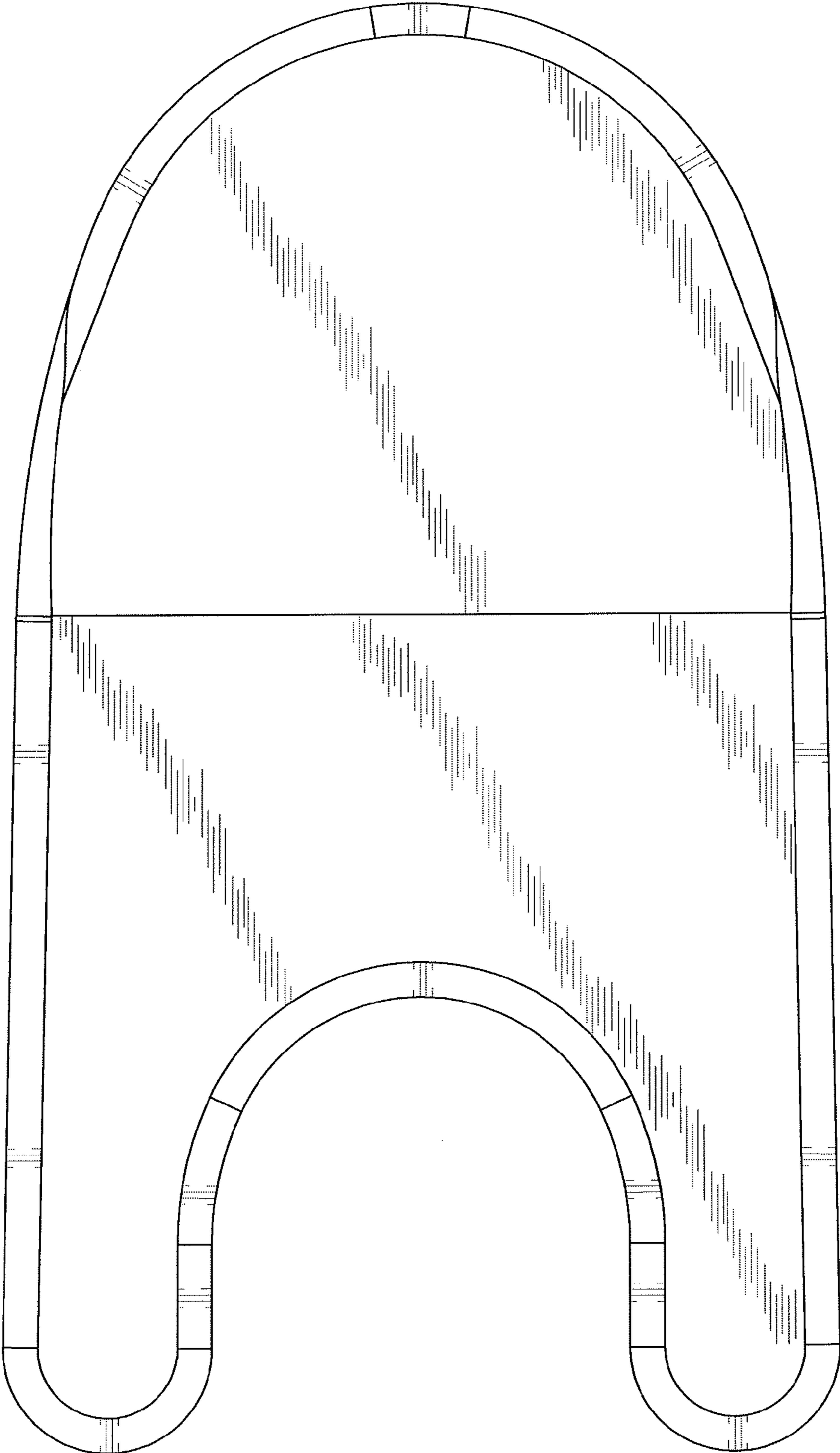


FIG. 3

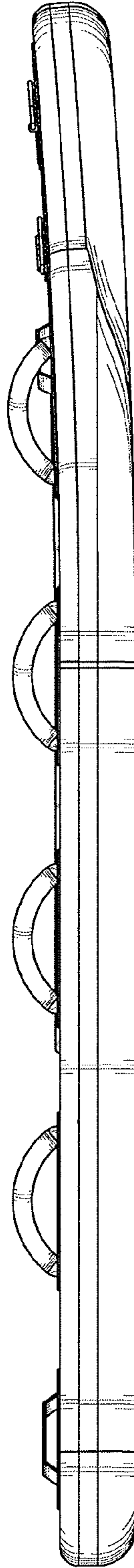


FIG. 4

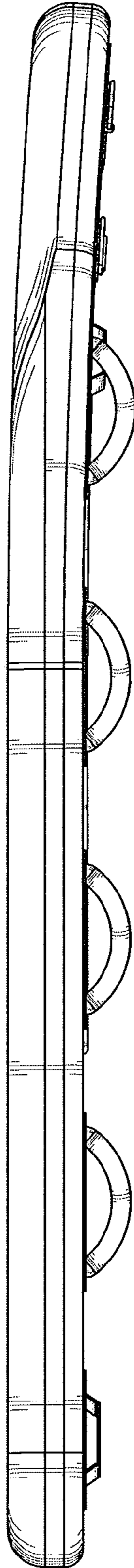


FIG. 5

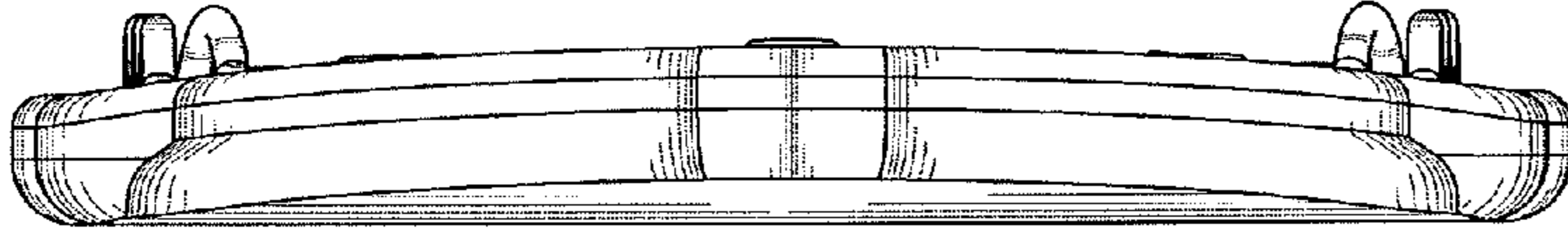


FIG. 6

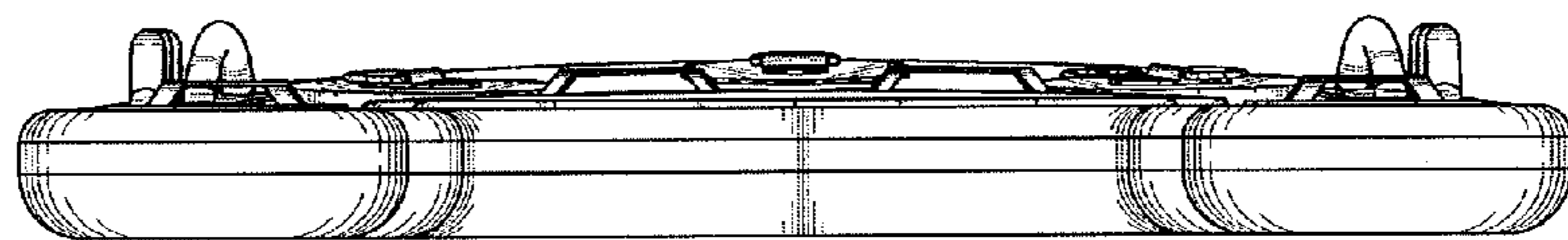


FIG. 7