



US00D705490S

(12) **United States Design Patent**
Cram

(10) **Patent No.:** **US D705,490 S**

(45) **Date of Patent:** **** May 20, 2014**

(54) **PROTECTIVE MOTORSPORTS HELMET**

(71) Applicant: **Bell Sports, Inc.**, Scotts Valley, CA (US)

(72) Inventor: **Daniel Cram**, Scotts Valley, CA (US)

(73) Assignee: **Bell Sports, Inc.**, Scotts Valley, CA (US)

(**) Term: **14 Years**

(21) Appl. No.: **29/454,156**

(22) Filed: **May 7, 2013**

Related U.S. Application Data

(63) Continuation of application No. 13/834,397, filed on Mar. 15, 2013.

(51) **LOC (10) Cl.** **02-03**

(52) **U.S. Cl.**
USPC **D29/102**

(58) **Field of Classification Search**

USPC D29/102-110, 122; 2/200.1, 200.2, 2/202, 205, 208, 181, 171, 171.1, 171.3, 2/410-414, 416, 421-425, 427, 5, 6.3, 2/6.5, 6.6, 6.7, 7-9, 8.2, 457, 2.11, 2.14, 2/209.13, 206; D2/875, 865, 869, 880, D2/175.6; D24/110.3, 110.2; 128/201.23, 128/201.24, 201.29, 202.11; D16/208; 396/429, 433; 348/373; 250/330; 345/8

See application file for complete search history.

(56) **References Cited**

U.S. PATENT DOCUMENTS

D253,197	S	*	10/1979	Jarvinen	D29/107
5,003,632	A	*	4/1991	Claude	2/422
D382,671	S	*	8/1997	Shewchenko	D29/106
7,207,072	B2	*	4/2007	Halsnes et al.	2/424
D638,168	S	*	5/2011	Lebel et al.	D29/107
D645,210	S	*	9/2011	Chilson et al.	D29/106
D682,479	S	*	5/2013	Buathier	D29/107
2005/0060793	A1	*	3/2005	Rosie	2/424
2005/0183190	A1	*	8/2005	Hussey	2/424
2006/0282939	A1	*	12/2006	Rogers et al.	2/422
2007/0056071	A1	*	3/2007	Smith	2/5
2009/0144872	A1	*	6/2009	Lebel et al.	2/6.7

* cited by examiner

Primary Examiner — Ruth McInroy

(74) *Attorney, Agent, or Firm* — Booth Udall Fuller, PLC

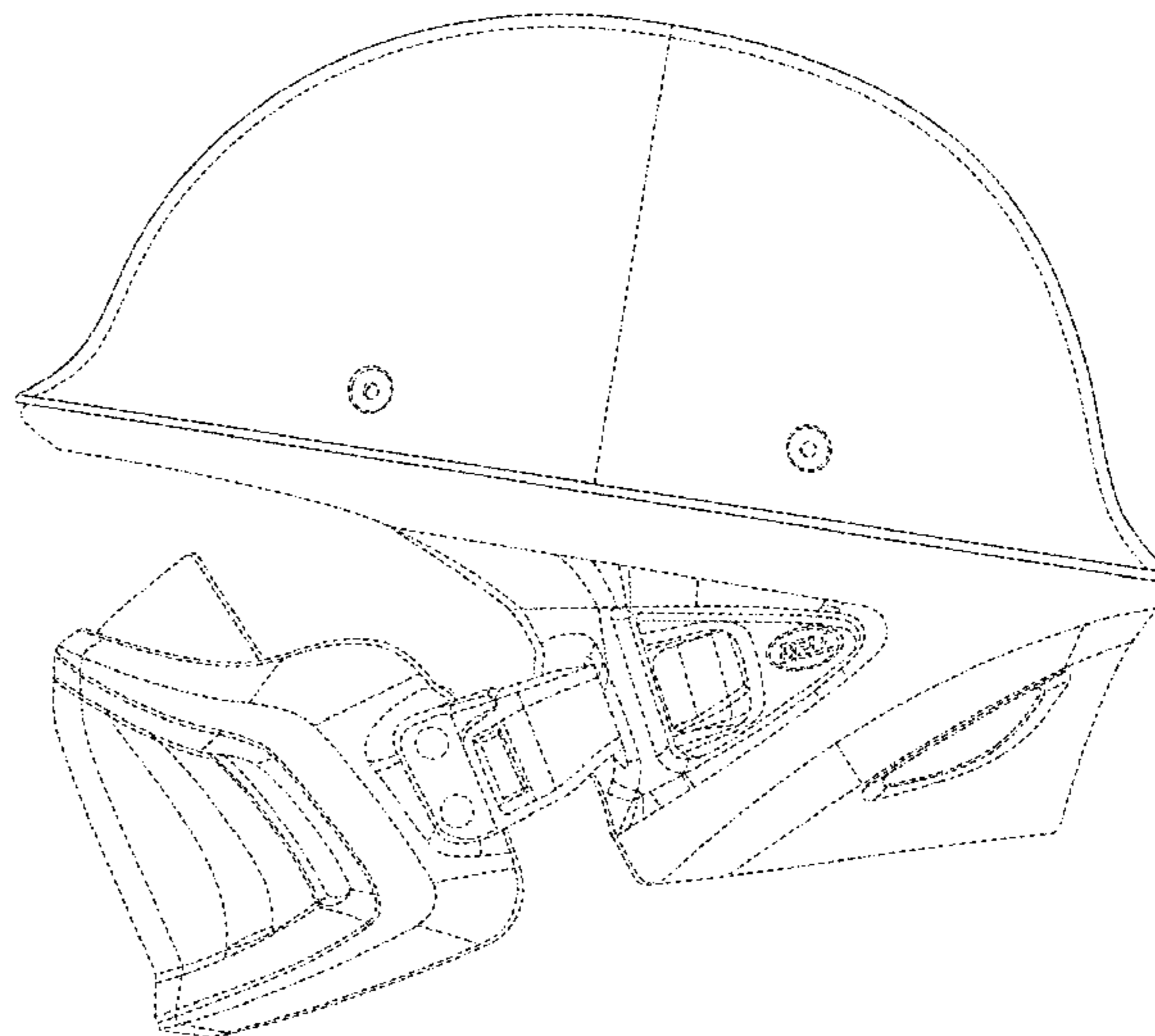
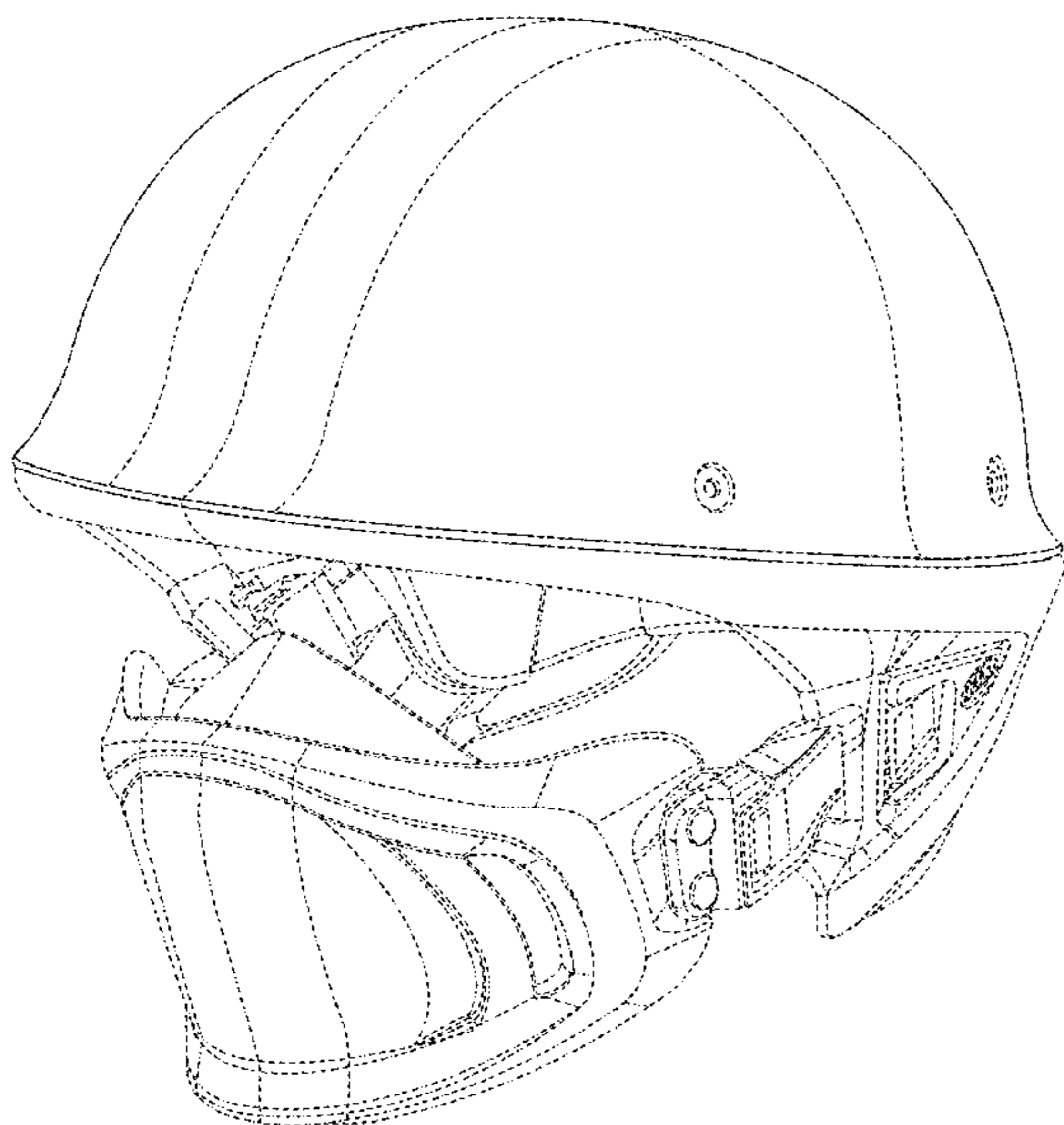
(57) **CLAIM**

I claim the ornamental design for a protective motorsports helmet, as shown and described.

DESCRIPTION

FIG. 1 is a perspective view of a protective motorsports helmet showing my new design;
FIG. 2 is a left side view thereof;
FIG. 3 is a right side view thereof;
FIG. 4 is a front view thereof;
FIG. 5 is a rear view thereof;
FIG. 6 is a top view thereof; and,
FIG. 7 is a bottom view thereof.
The dashed broken lines in FIGS. 1-7 are for the purpose of illustrating unclaimed features and form no part of the claimed design.

1 Claim, 7 Drawing Sheets



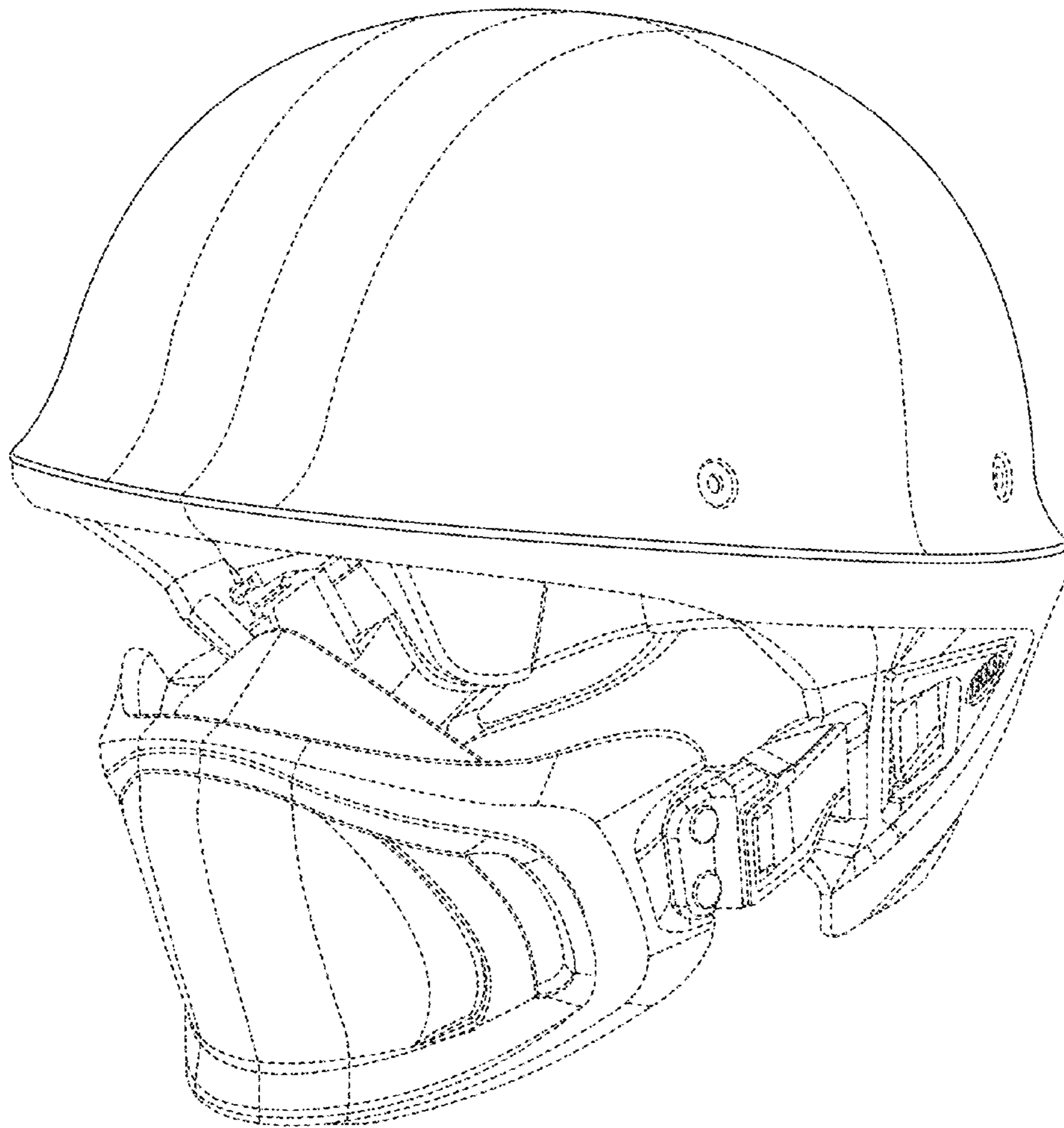


FIG. 1

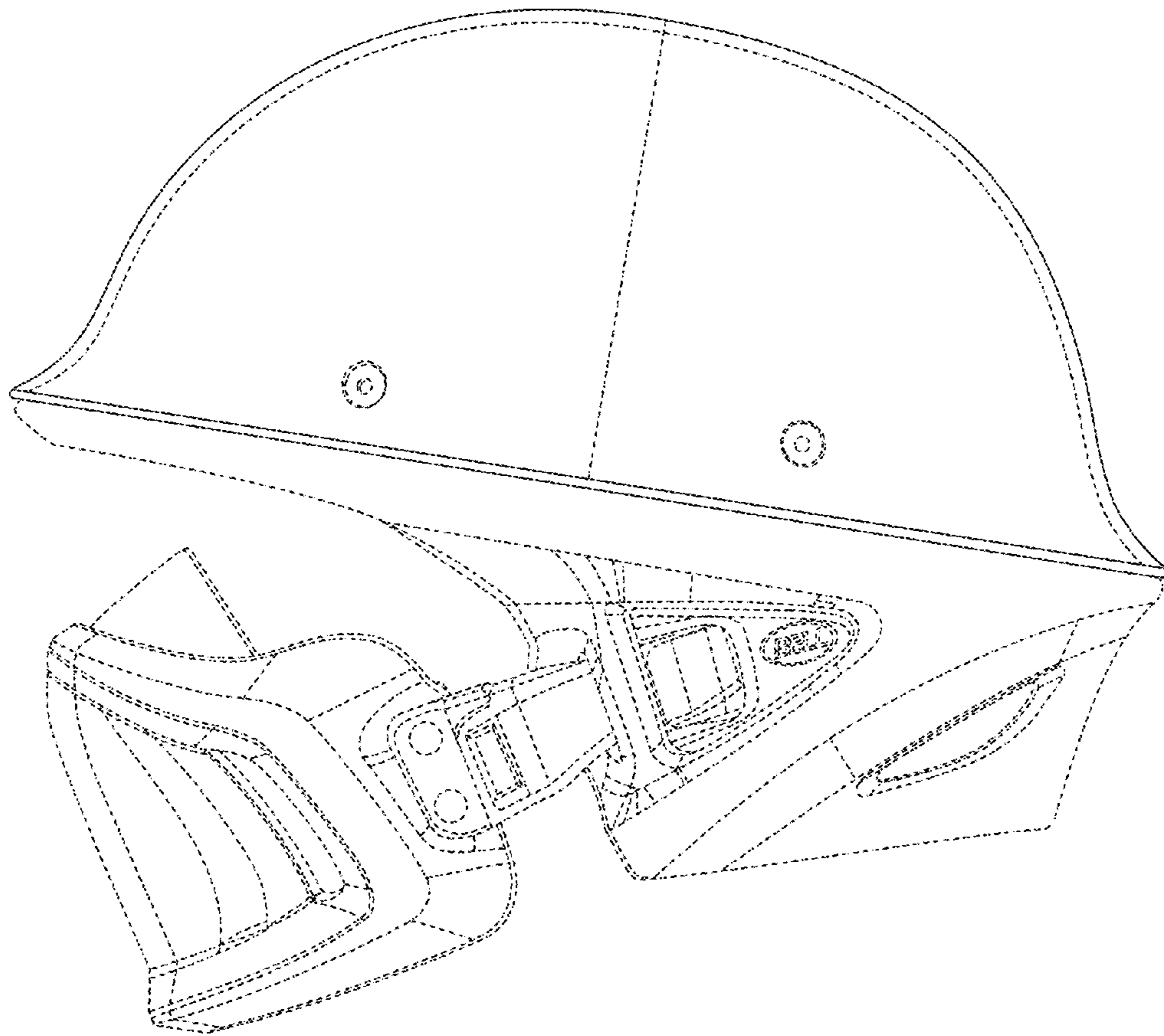


FIG. 2

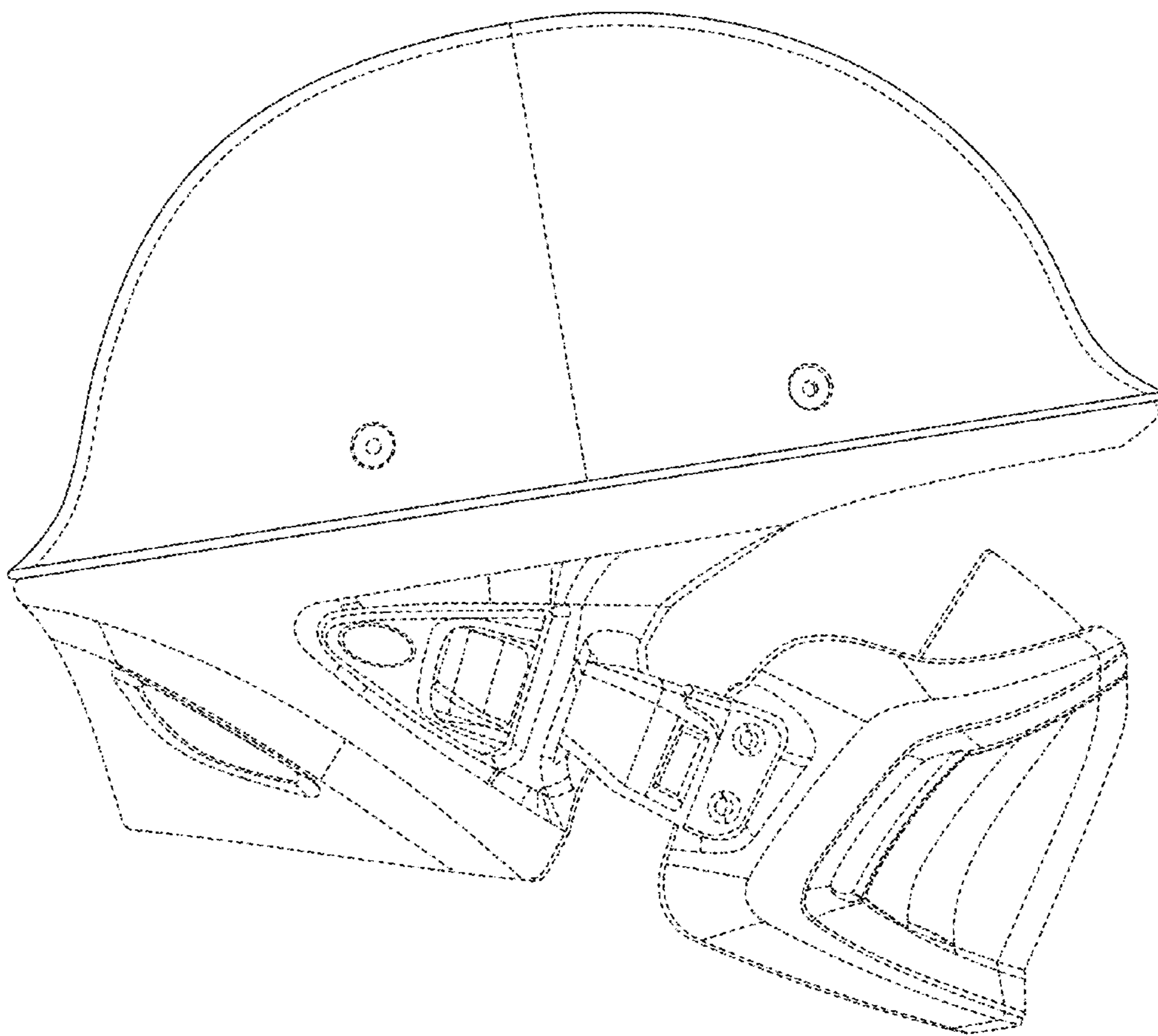


FIG. 3

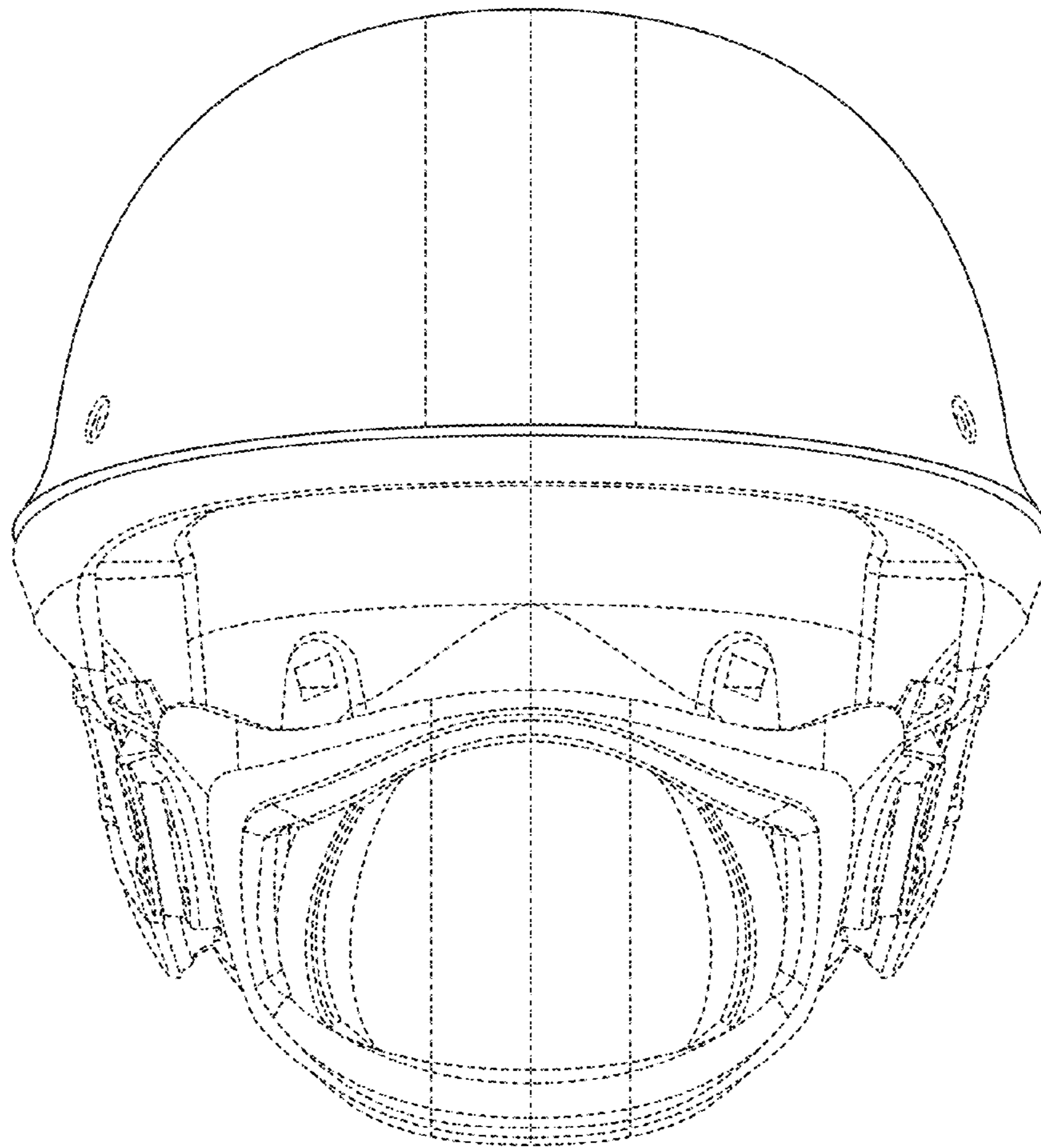


FIG. 4

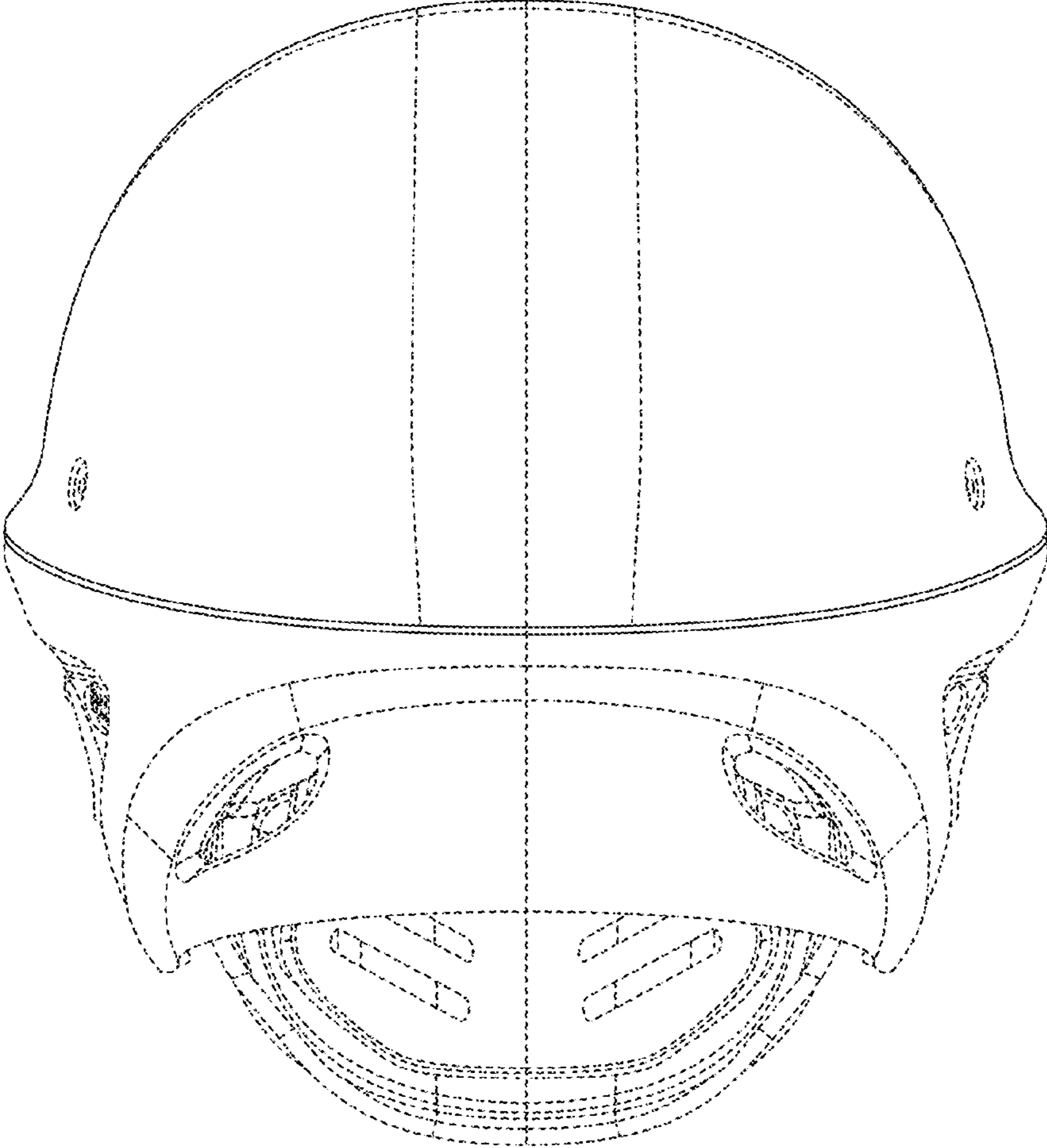


FIG. 5

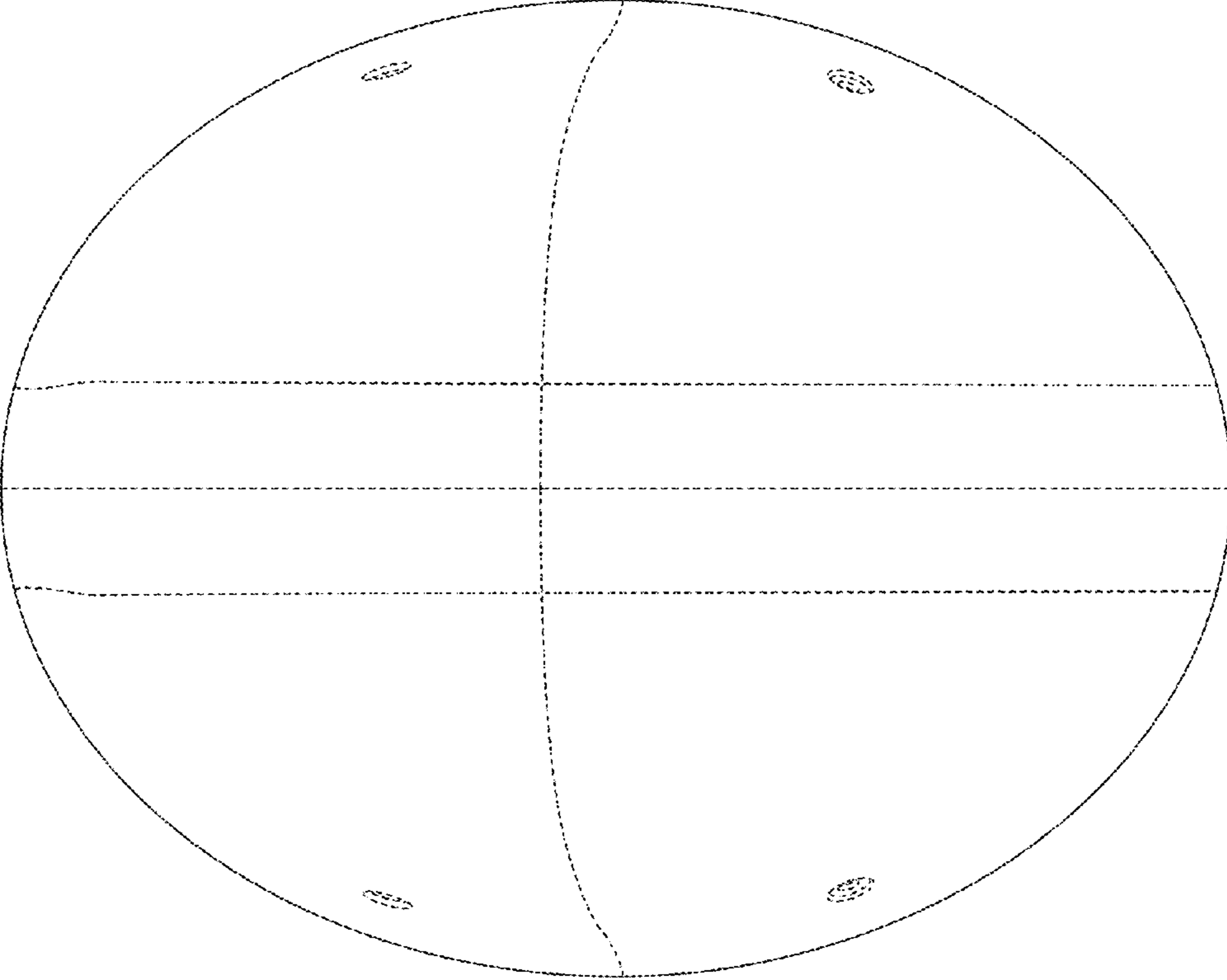


FIG. 6

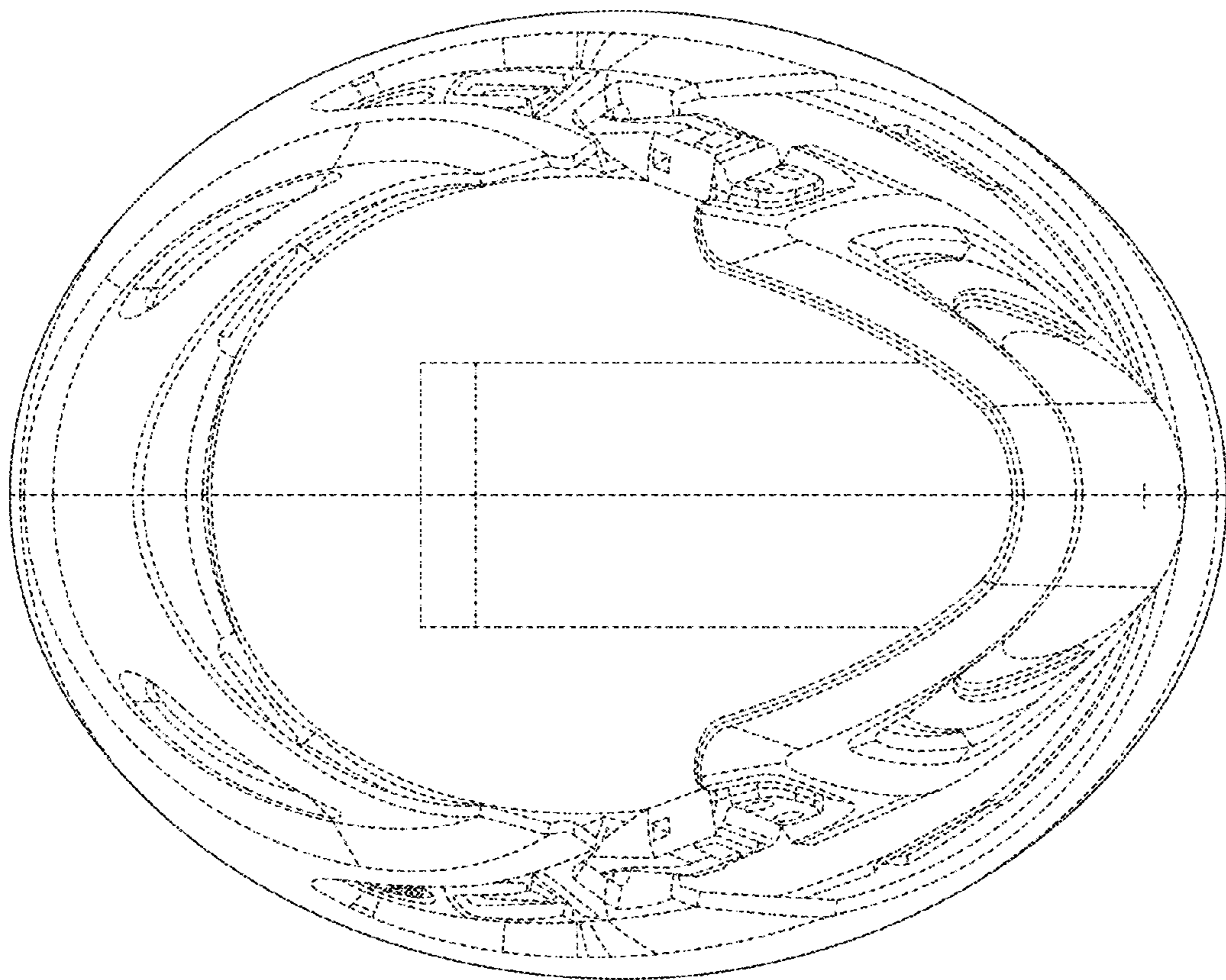


FIG. 7