



US00D705488S

(12) **United States Design Patent**
Cheng

(10) **Patent No.:** **US D705,488 S**

(45) **Date of Patent:** **** May 20, 2014**

- (54) **ULTRAVIOLET CURING DEVICE**
- (71) Applicant: **Cosmex Co., Ltd.**, New Taipei (TW)
- (72) Inventor: **Kuo-Chang Cheng**, New Taipei (TW)
- (73) Assignee: **Cosmex Co., Ltd.**, New Taipei (TW)
- (**) Term: **14 Years**
- (21) Appl. No.: **29/465,184**
- (22) Filed: **Aug. 26, 2013**
- (51) **LOC (10) Cl.** **28-03**
- (52) **U.S. Cl.**
USPC **D28/58; D28/54.1**
- (58) **Field of Classification Search**
USPC D28/54.1, 56-58; 250/504 R-504 H,
250/492.1, 202; 132/73; D24/209-210;
34/275, 202, 90
See application file for complete search history.

- D686,369 S * 7/2013 Horvath et al. D28/58
- D690,467 S * 9/2013 Jing D28/58
- 2013/0333713 A1* 12/2013 Mehta 132/75

OTHER PUBLICATIONS

Images for an Internet search for one finger gel curing lamp, Feb. 10, 2014.*

* cited by examiner

Primary Examiner — Jennifer Rivard

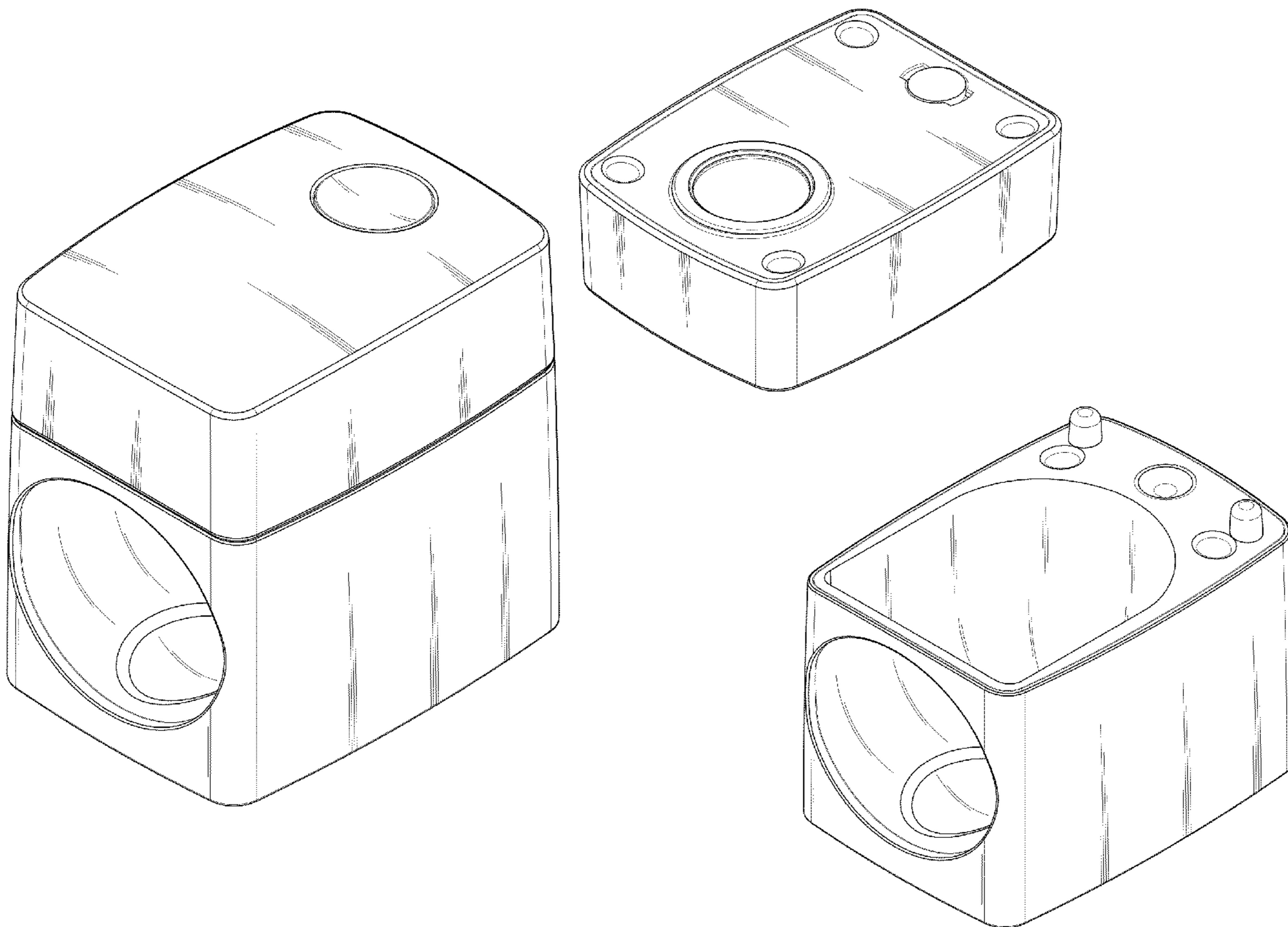
(57) **CLAIM**
The ornamental design for an ultraviolet curing device, as shown and described.

DESCRIPTION

FIG. 1 is a perspective view of an ultraviolet curing device showing my new design;
FIG. 2 is a front elevational view thereof;
FIG. 3 is a rear elevational view thereof;
FIG. 4 is a left elevational view thereof;
FIG. 5 is a right elevational view thereof;
FIG. 6 is a top view thereof;
FIG. 7 is a bottom view thereof; and,
FIG. 8 is a perspective view of the ultraviolet curing device showing that an upper part is disassembled therefrom.

1 Claim, 8 Drawing Sheets

- (56) **References Cited**
U.S. PATENT DOCUMENTS
7,712,473 B1 * 5/2010 Robinson et al. 132/73
7,980,252 B2 * 7/2011 Yue 132/73.5
D643,576 S * 8/2011 Chan D28/58
D664,299 S * 7/2012 Ishida D28/54.1



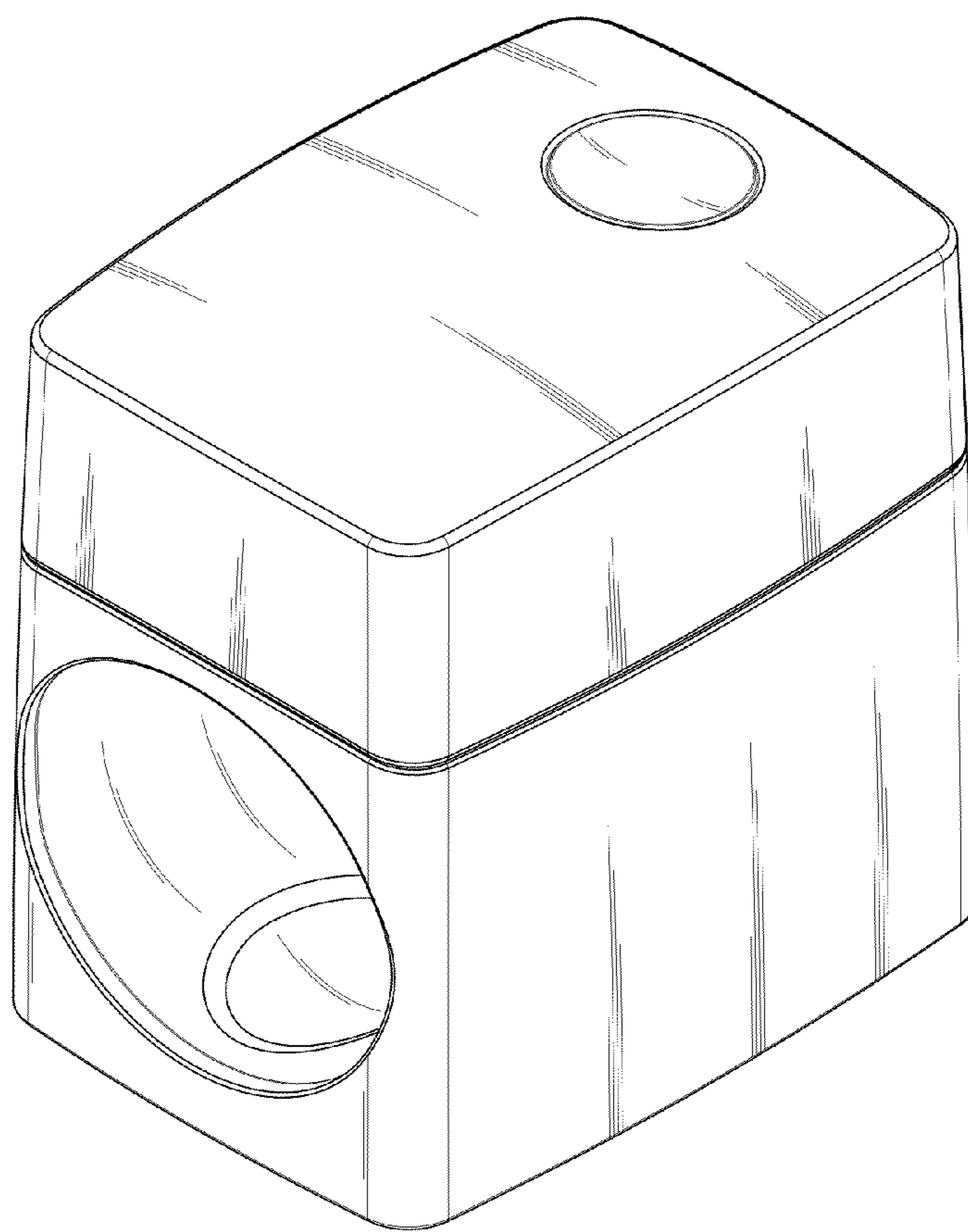


FIG. 1

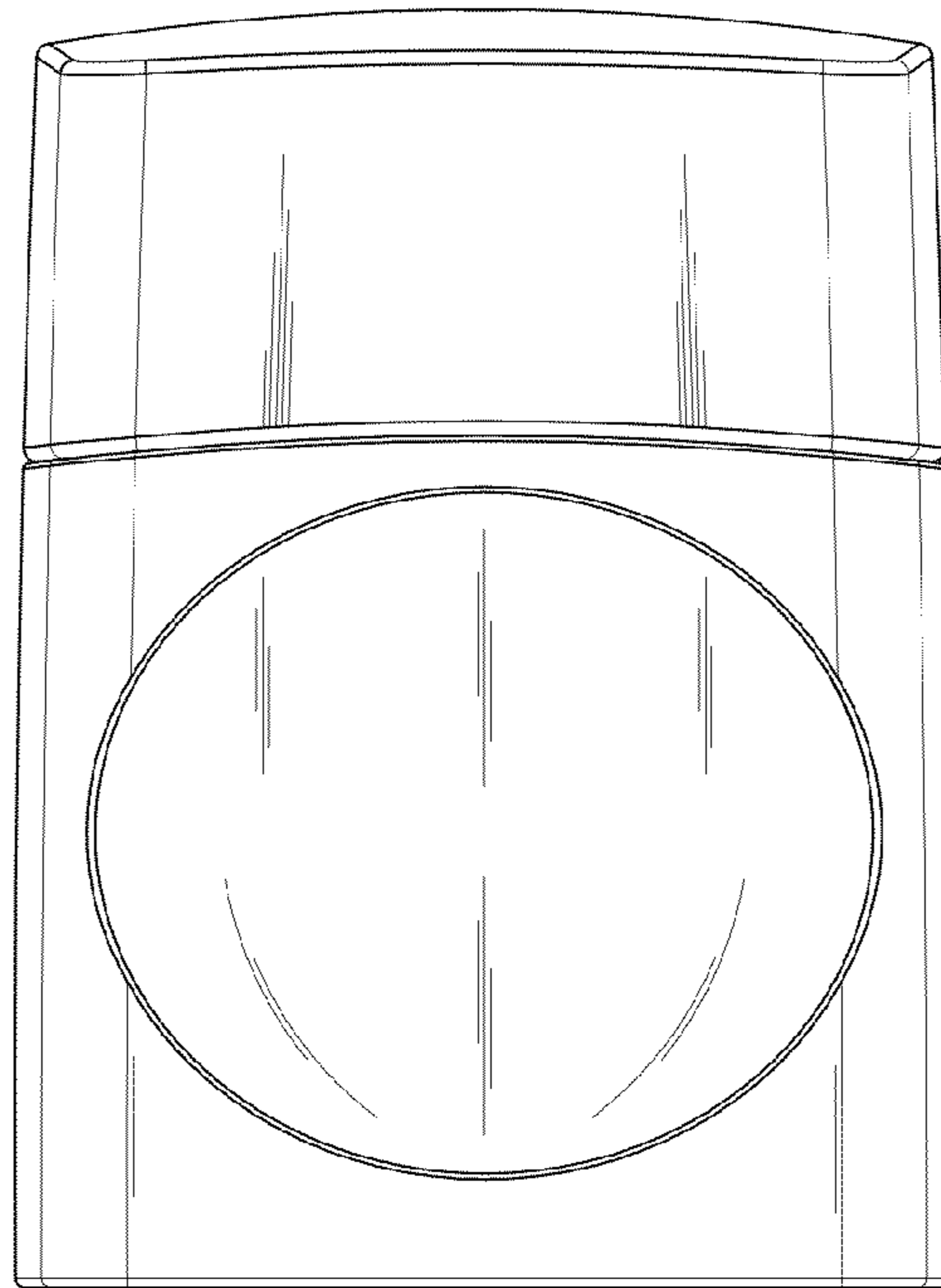


FIG. 2

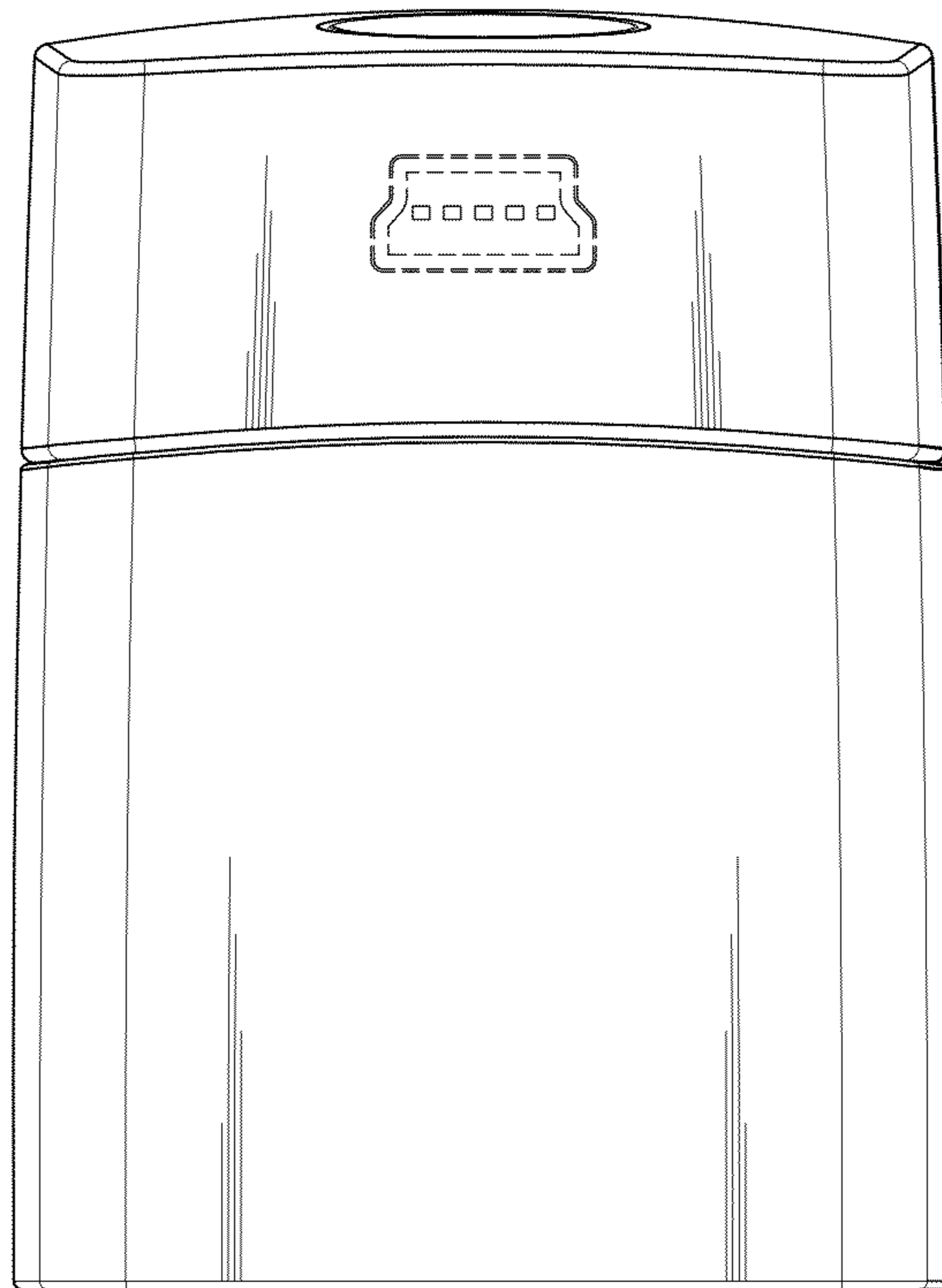


FIG. 3

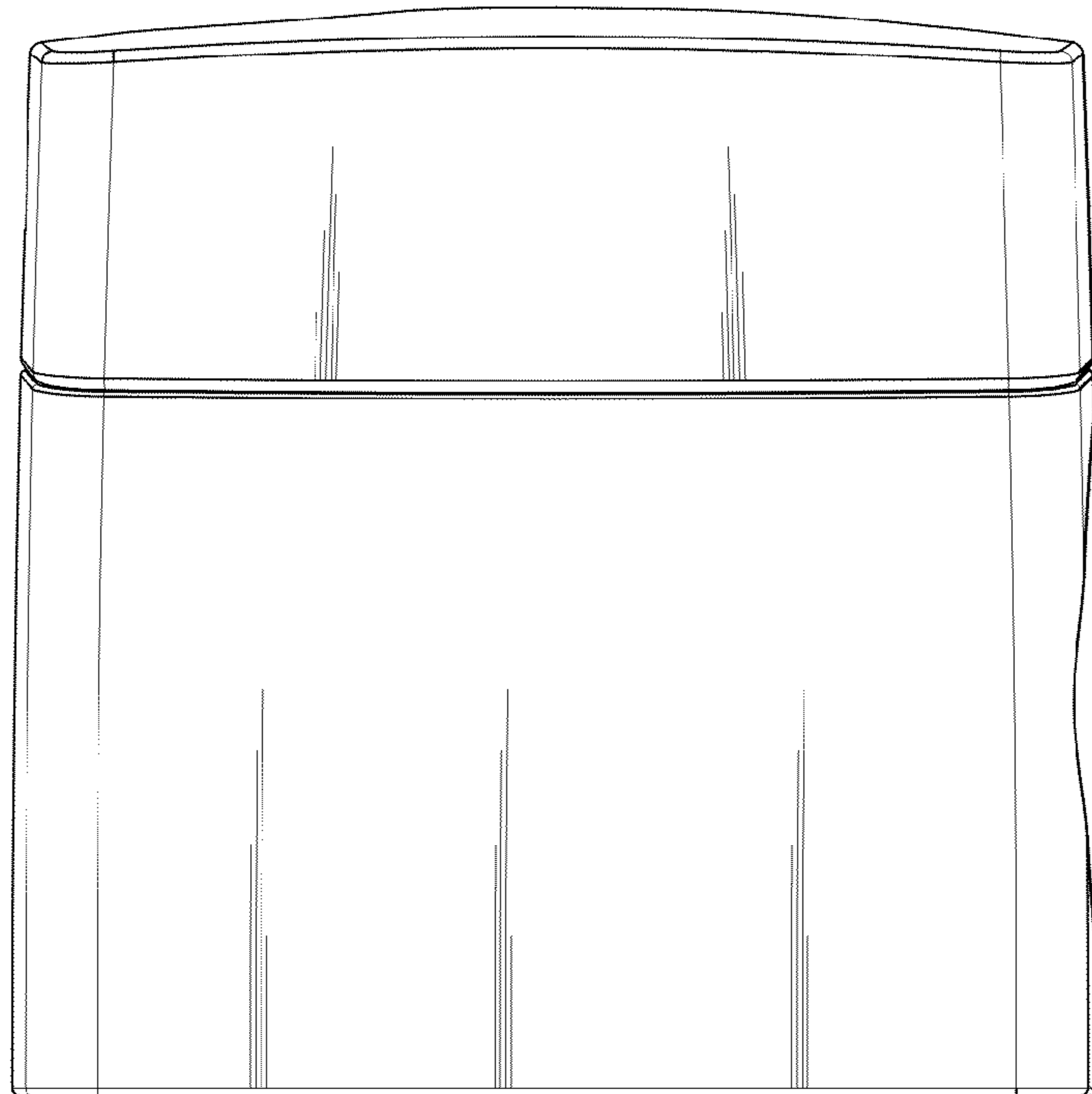


FIG. 4

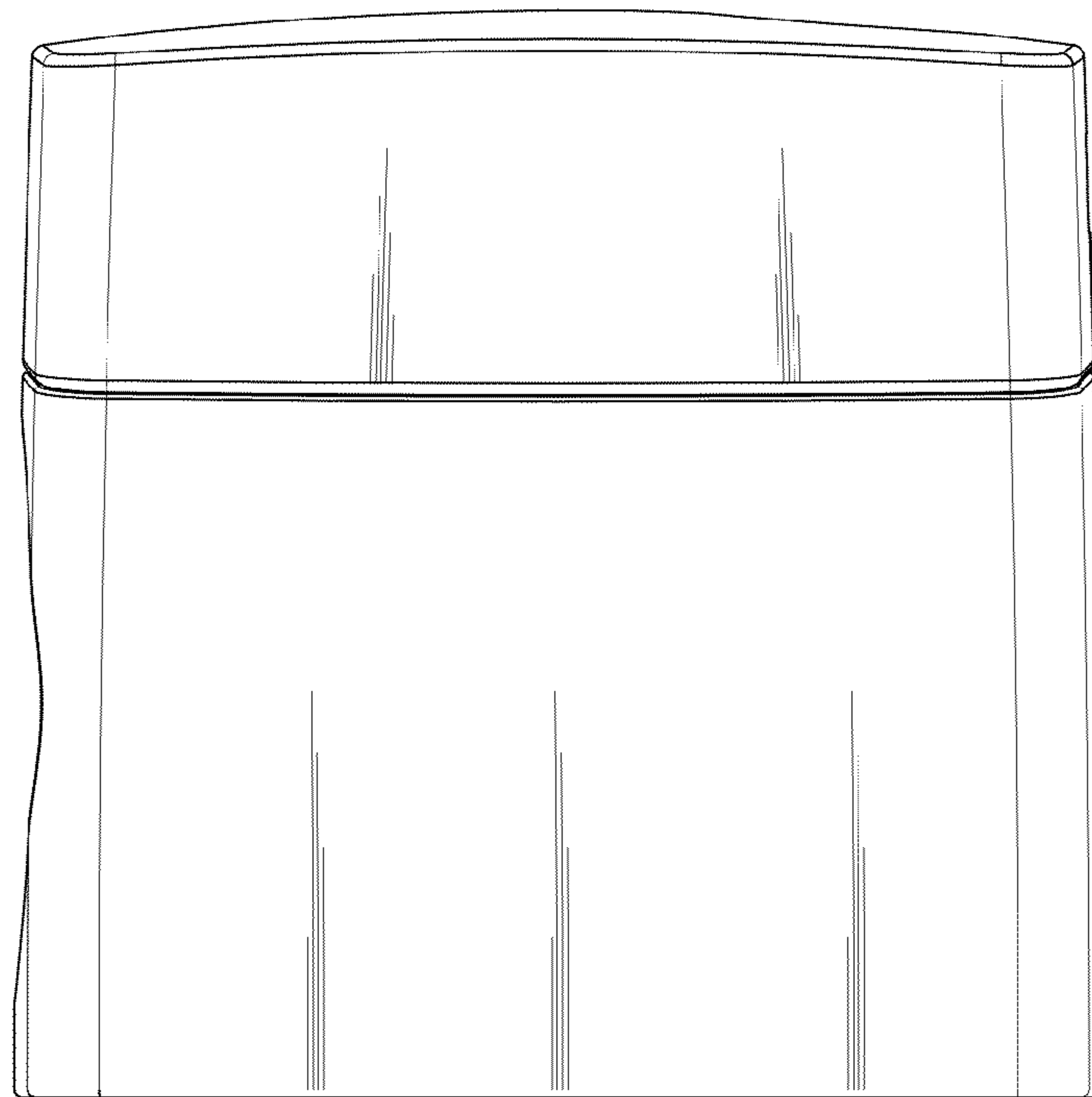


FIG. 5

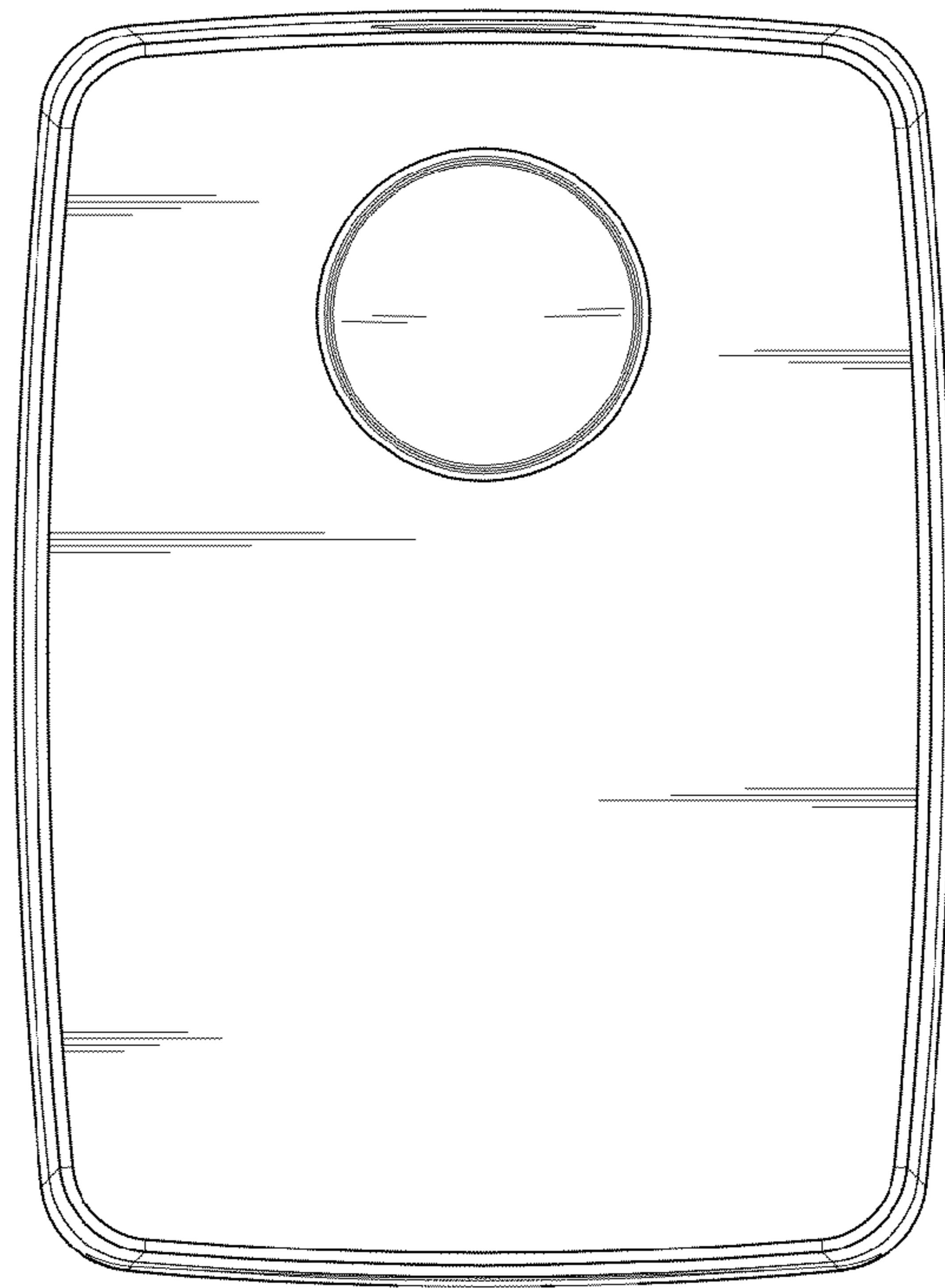


FIG. 6

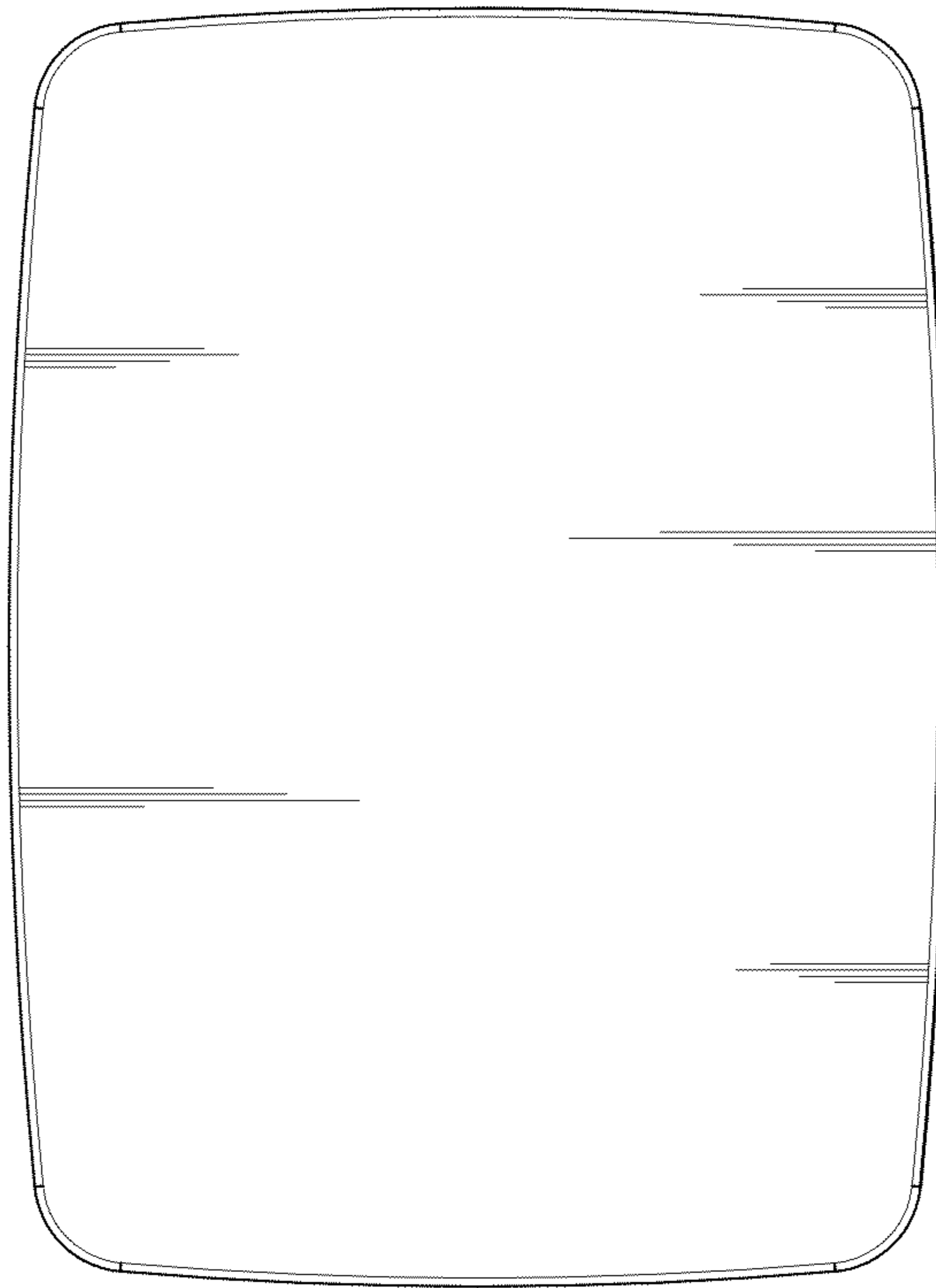


FIG. 7

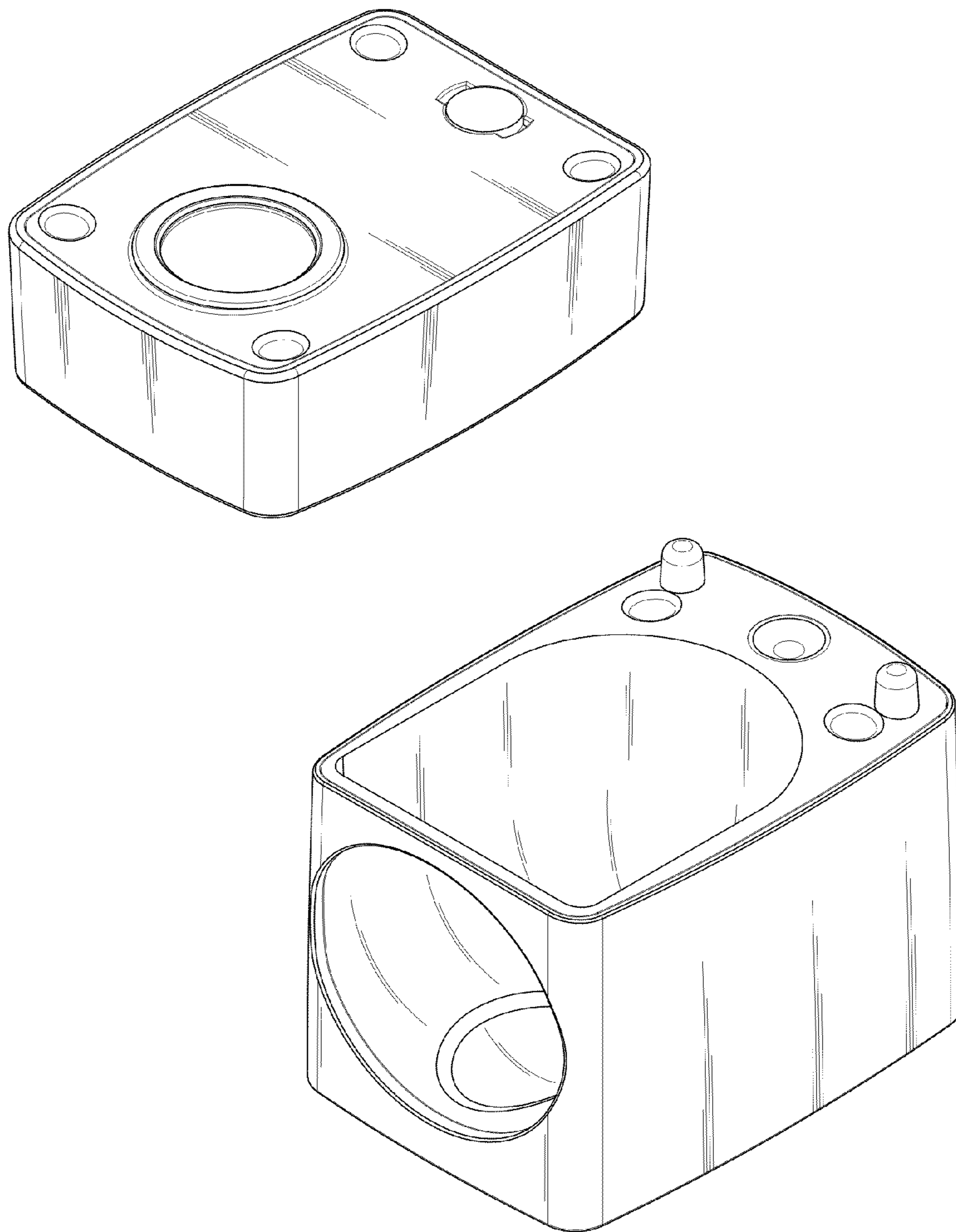


FIG. 8