



US00D705483S

(12) **United States Design Patent**
Xu

(10) **Patent No.:** **US D705,483 S**

(45) **Date of Patent:** **** May 20, 2014**

- (54) **HEATED HAIR BRUSH IRON**
- (71) Applicant: **Liang Xu**, Shenzhen (CN)
- (72) Inventor: **Liang Xu**, Shenzhen (CN)
- (73) Assignees: **Cheer Master Trading Ltd.**, Kowloon (HK); **Tristar Products, Inc.**, East Fairfield, NJ (US); **Calista Tools, LLC**, West Chester, PA (US)
- (**) Term: **14 Years**
- (21) Appl. No.: **29/454,807**
- (22) Filed: **May 14, 2013**
- (51) **LOC (10) Cl.** **28-03**
- (52) **U.S. Cl.**
USPC **D28/35**
- (58) **Field of Classification Search**
USPC 219/222–226; 132/222, 223–272;
D28/35, 37–38, 40
See application file for complete search history.

- D441,137 S * 4/2001 McCurrach D28/35
- D455,861 S * 4/2002 McCurrach D28/35
- 6,423,942 B1 * 7/2002 Liao 219/222
- D556,948 S * 12/2007 Leung D28/35
- D648,893 S * 11/2011 Kaizuka D28/35
- D650,942 S * 12/2011 Choi D28/35
- D670,027 S * 10/2012 Choi D28/35
- 2012/0247501 A1 * 10/2012 Choi 132/269

* cited by examiner

Primary Examiner — Jennifer Rivard

(74) *Attorney, Agent, or Firm* — Sughrue Mion, PLLC

(57) **CLAIM**

The ornamental design for a heated hair brush iron, as shown and described.

DESCRIPTION

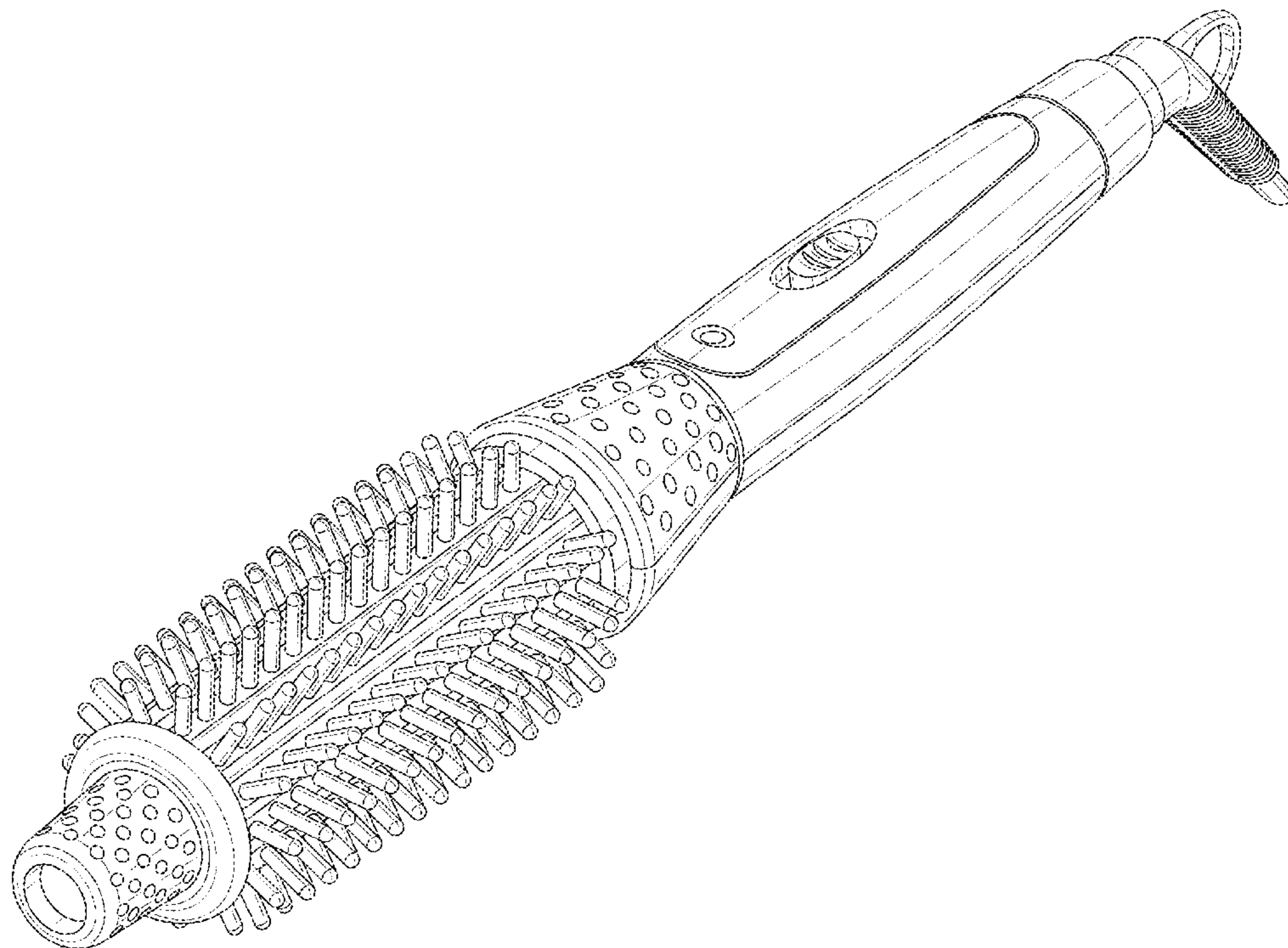
- FIG. 1 is a bottom view thereof.
- FIG. 2 is a front view thereof.
- FIG. 3 is a left view thereof.
- FIG. 4 is a perspective view thereof.
- FIG. 5 is a rear view thereof.
- FIG. 6 is a right view thereof; and,
- FIG. 7 is a top view thereof.

1 Claim, 7 Drawing Sheets

(56) **References Cited**

U.S. PATENT DOCUMENTS

- D251,205 S * 2/1979 Ergaver et al. D28/35
- D314,064 S * 1/1991 Ho D28/35



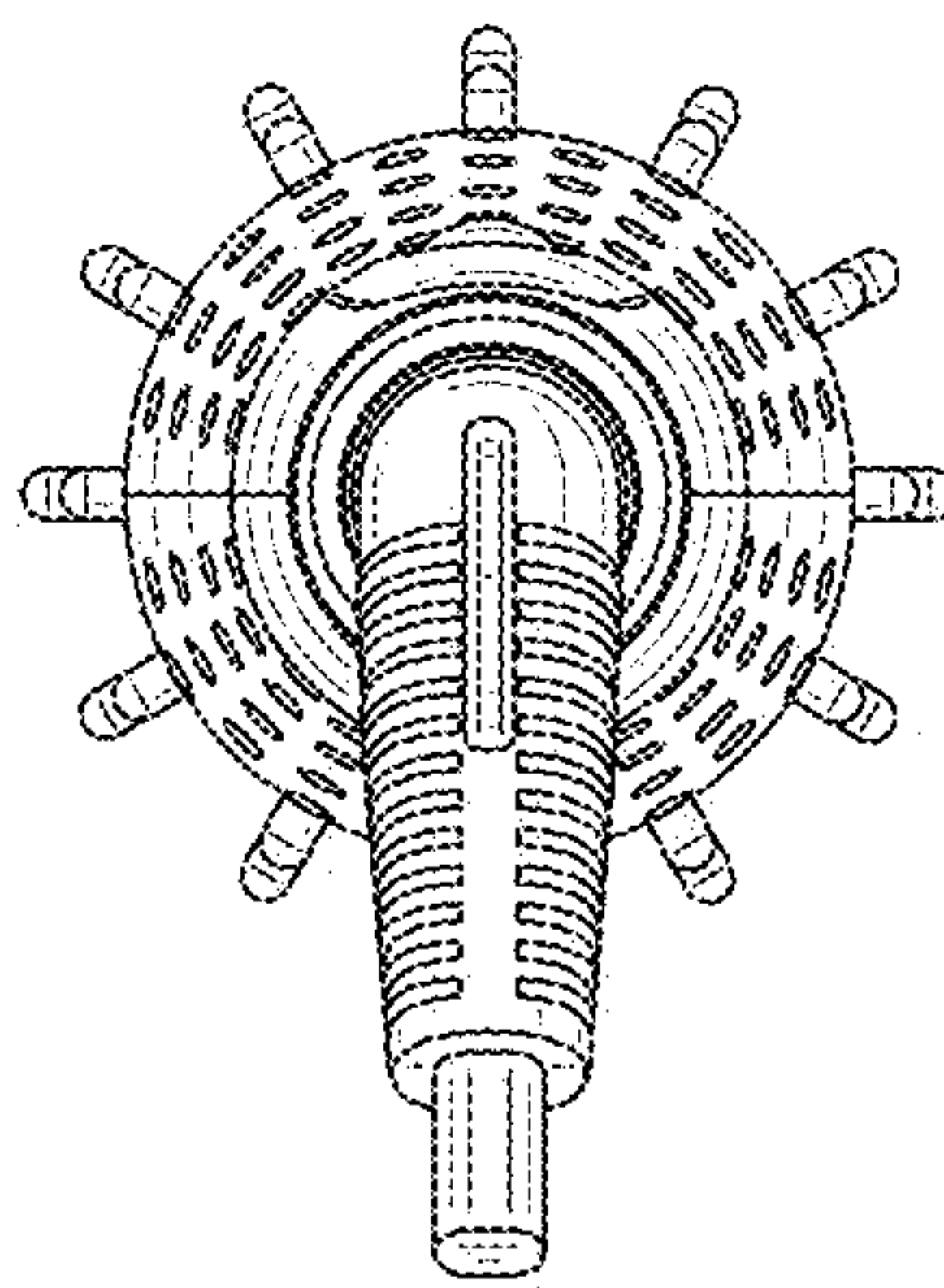


FIG. 1

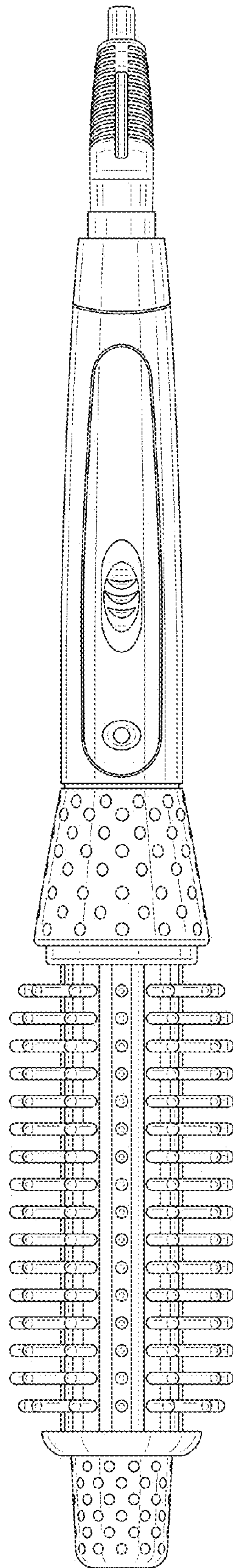


FIG. 2

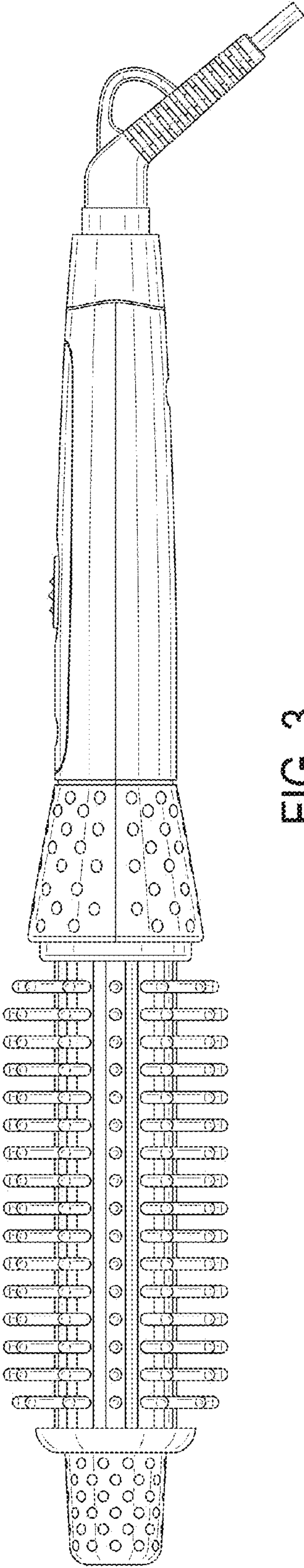


FIG. 3

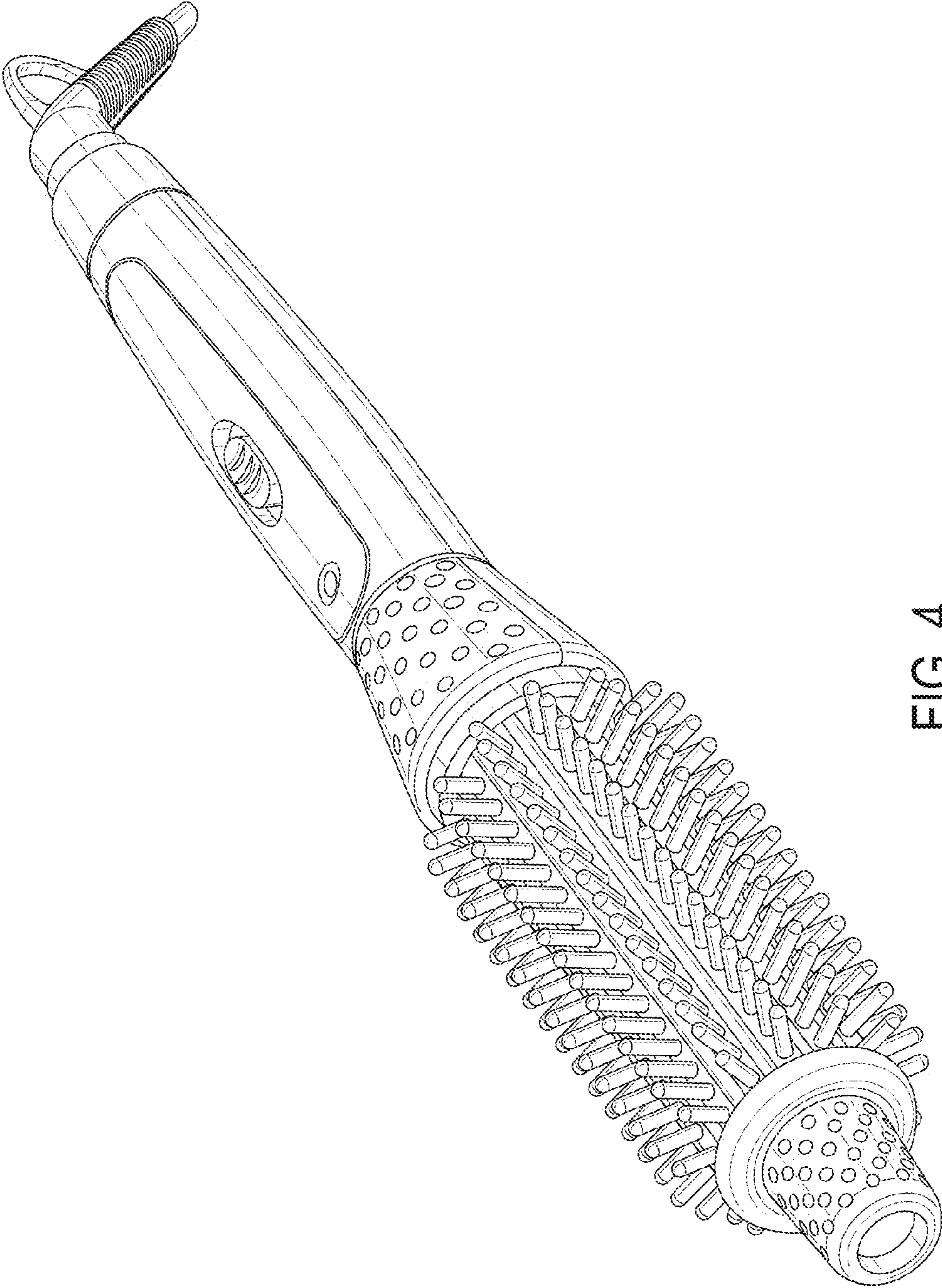


FIG. 4

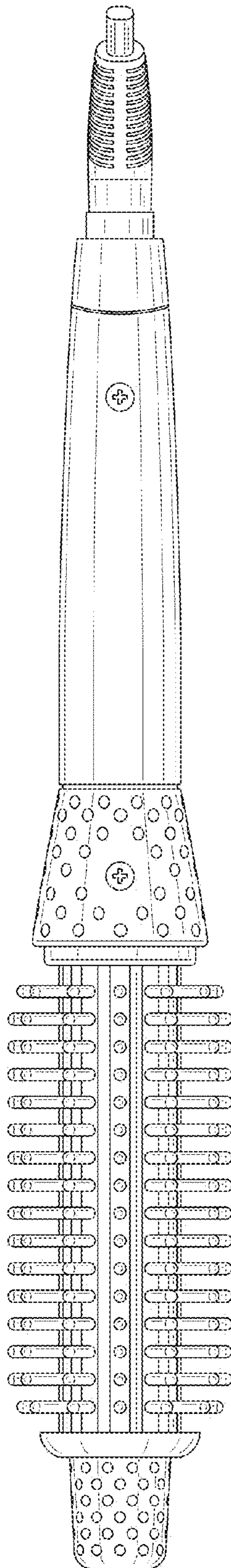


FIG. 5

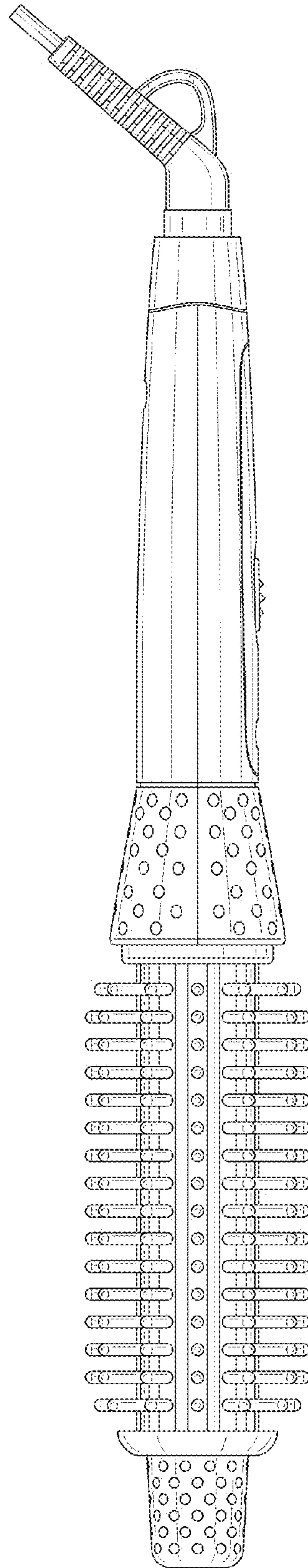


FIG. 6

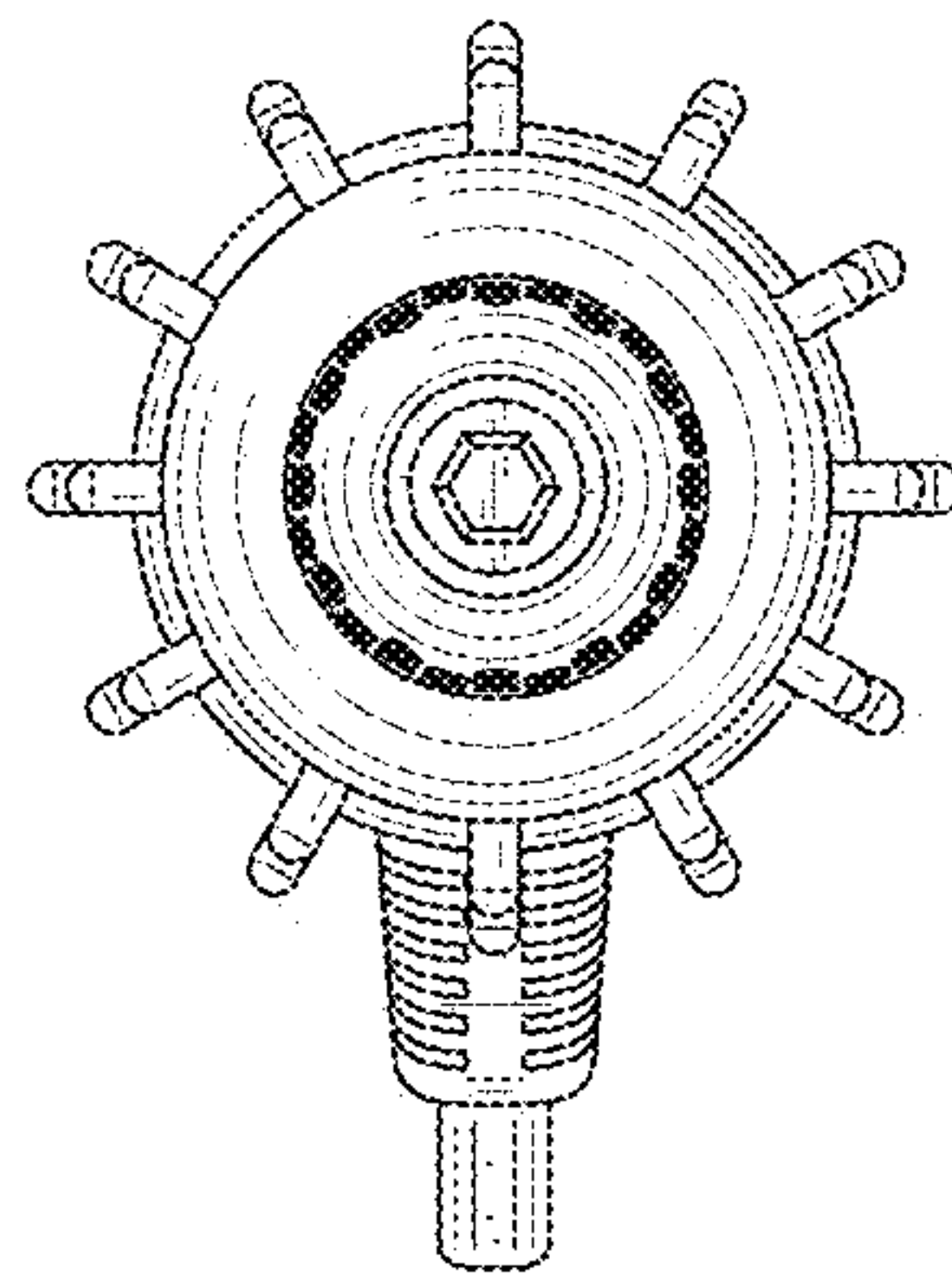


FIG. 7