



US00D705481S

(12) **United States Design Patent**
Zhang et al.

(10) **Patent No.:** **US D705,481 S**

(45) **Date of Patent:** **** May 20, 2014**

(54) **HEAT SINK FOR A LAMP**

(71) Applicants: **Shiyong Zhang**, Boxborough, MA (US);
Yichong Zeng, Chelmsford, MA (US)

(72) Inventors: **Shiyong Zhang**, Boxborough, MA (US);
Yichong Zeng, Chelmsford, MA (US)

(73) Assignee: **OSRAM SYLVANIA Inc.**, Danvers,
MA (US)

(**) Term: **14 Years**

(21) Appl. No.: **29/460,965**

(22) Filed: **Jul. 17, 2013**

Related U.S. Application Data

(62) Division of application No. 29/429,387, filed on Aug.
10, 2012, now Pat. No. Des. 690,053.

(51) **LOC (10) Cl.** **26-99**

(52) **U.S. Cl.**
USPC **D26/118**

(58) **Field of Classification Search**

USPC D26/122, 118, 2, 28, 142, 123, 124, 35,
D26/116, 113, 74, 75, 5, 6, 67, 68, 69, 72,
D26/86, 63, 61, 39, 135, 65, 120, 121, 125,
D26/126, 128, 89, 76, 132, 134, 119;
362/290, 223, 346, 240, 298, 249.02,
362/247, 347, 179, 147, 150; D10/114.4,
D10/11.2, 111; 431/111, 104, 344, 109;
D13/179, 180

See application file for complete search history.

(56) **References Cited**

U.S. PATENT DOCUMENTS

D541,957 S * 5/2007 Wang D26/2
D586,497 S * 2/2009 Wu et al. D26/118
D611,650 S * 3/2010 Broekhoff D26/134
D612,956 S * 3/2010 Moon D26/2

D618,369 S * 6/2010 Lee et al. D26/2
D621,970 S * 8/2010 Yamamoto et al. D26/2
D623,779 S * 9/2010 Wang et al. D26/2
D626,260 S * 10/2010 Wei D26/2
D628,720 S * 12/2010 Wang D26/2
D633,224 S 2/2011 Lee
7,888,851 B2 * 2/2011 Yang et al. 313/46

(Continued)

FOREIGN PATENT DOCUMENTS

EP 2256403 A2 12/2010
WO 2011029724 A1 3/2011

OTHER PUBLICATIONS

Brochure showing Osram Sylvania Ultra LED Narrow Beam PAR 38
Lamp, one design created by Shiyong Zhang, Yichong Zeng and Phil
Rioux, exhibited May 7, 2012 at Las Vegas Light Fair Trade Show,
Nevada, USA (1 page).

(Continued)

Primary Examiner — Kevin Rudzinski

(74) *Attorney, Agent, or Firm* — Edward S. Podszus

(57) **CLAIM**

The ornamental design for a heat sink for a lamp, as shown
and described.

DESCRIPTION

FIG. 1 is a perspective view of the new design for a heat sink
for a lamp as seen from the front, top;

FIG. 2 is a rear perspective view as seen from the rear, side
thereof;

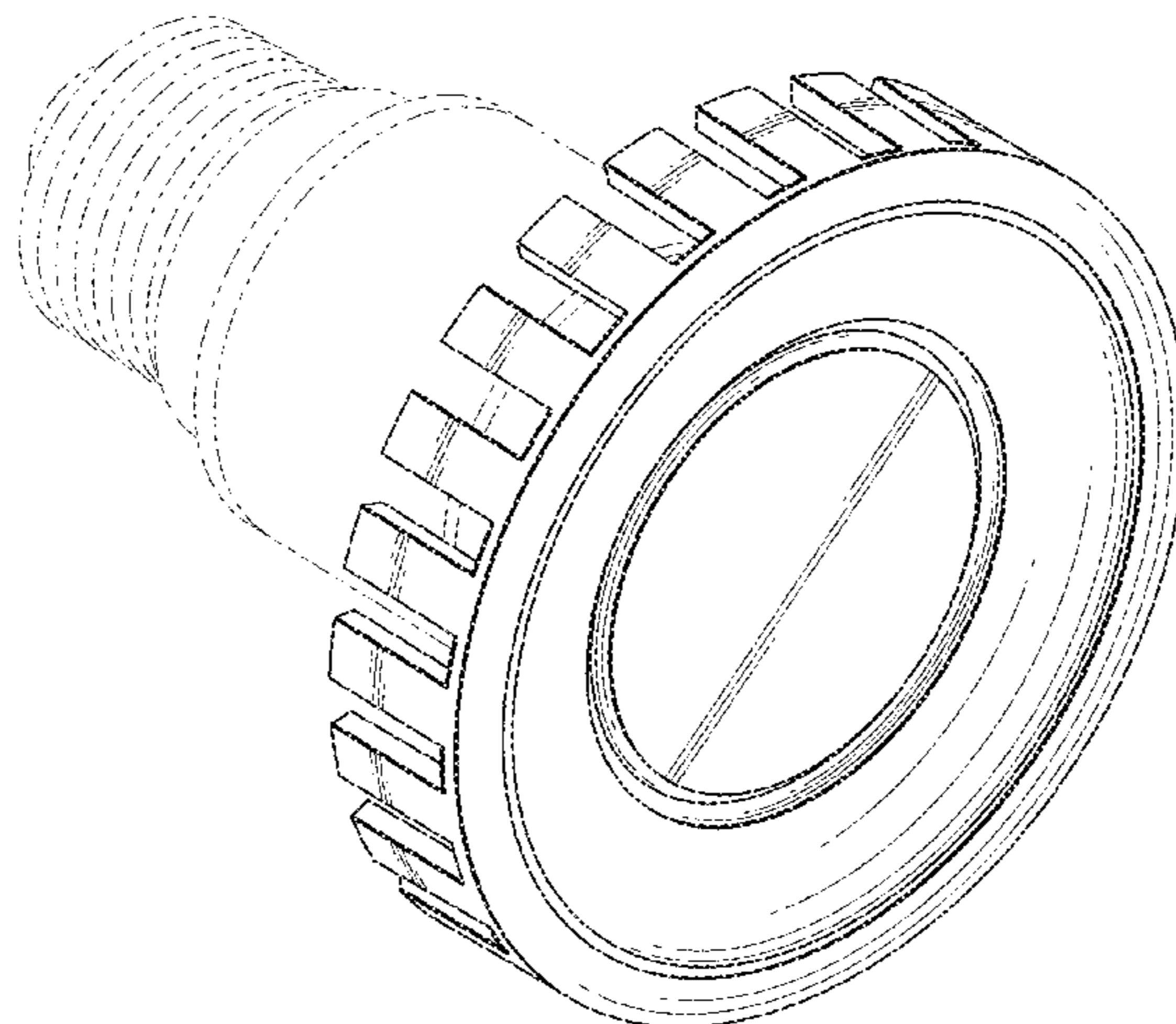
FIG. 3 is a side elevational view thereof;

FIG. 4 is a top plan view thereof; and,

FIG. 5 is a rear plan view thereof.

The broken lines illustrate portions of the lamp other than the
heat sink to show environmental features only and form no
part of the claimed design.

1 Claim, 5 Drawing Sheets



(56)

References Cited

U.S. PATENT DOCUMENTS

D634,870 S 3/2011 Shen et al.
D639,488 S * 6/2011 Yoshida et al. D26/89
D644,352 S 8/2011 Layevsky et al.
D644,355 S 8/2011 Layevsky et al.
D646,406 S * 10/2011 Tsai et al. D26/2
D651,735 S * 1/2012 Dai D26/72
D652,980 S * 1/2012 Yoshida et al. D26/89
D657,477 S 4/2012 Tu
D666,750 S * 9/2012 Maxik et al. D26/2
D667,969 S 9/2012 Rioux et al.
D668,799 S * 10/2012 Tsai et al. D26/2
D672,480 S 12/2012 Maxik et al.
D672,494 S * 12/2012 Kong D26/113
D674,960 S 1/2013 Chen et al.
D676,986 S 2/2013 Maxik et al.

D681,259 S * 4/2013 Kong D26/113
2007/0253202 A1 11/2007 Wu et al.
2007/0297177 A1* 12/2007 Wang et al. 362/294
2010/0133578 A1 6/2010 Pickard et al.
2010/0259935 A1* 10/2010 Scordino et al. 362/294

OTHER PUBLICATIONS

Applicants' pending Design U.S. Appl. No. 29/395,473, filed Jan. 27, 2012 naming inventors Phil Rioux, Shiyong Zhang and Yichong Zeng.

Applicants' pending Design U.S. Appl. No. 29/395,476, filed Jan. 27, 2012 naming inventors Shiyong Zhang and Yichong Zeng.

Applicants' pending Design U.S. Appl. No. 29/427,553, filed Jul. 19, 2012 naming inventors Phil Rioux, Shiyong Zhang and Yichong Zeng.

* cited by examiner

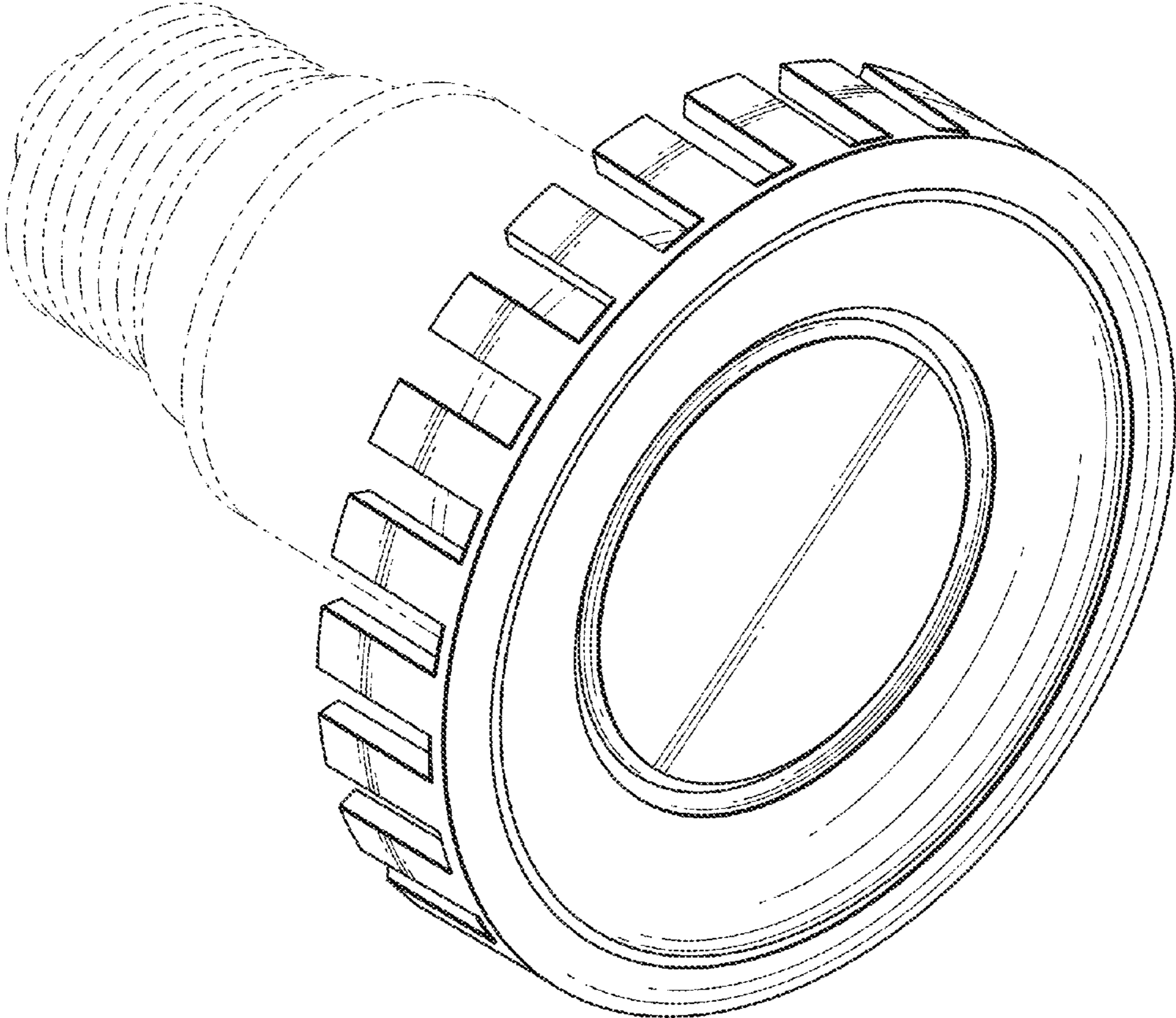


FIG. 1

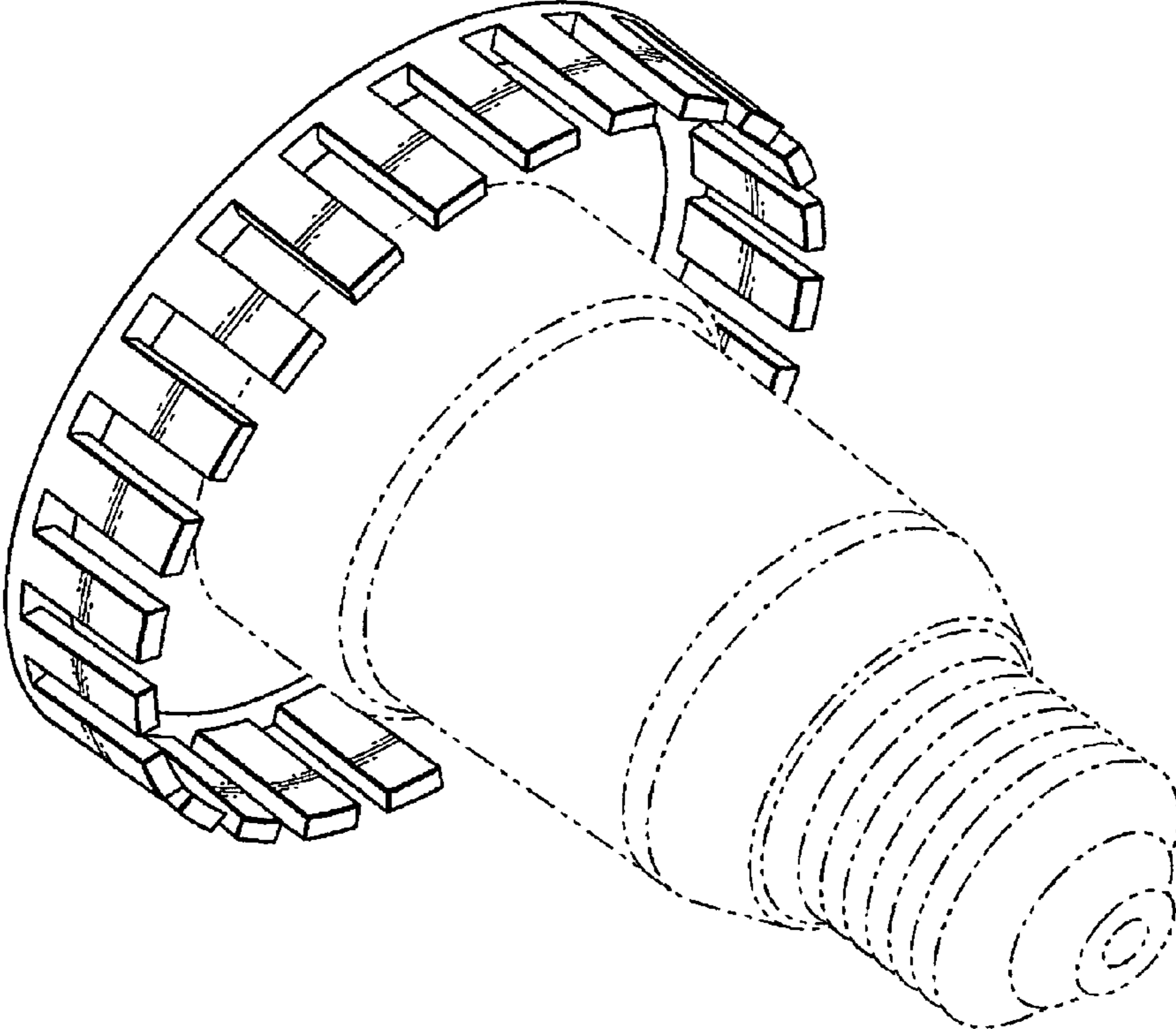


FIG. 2

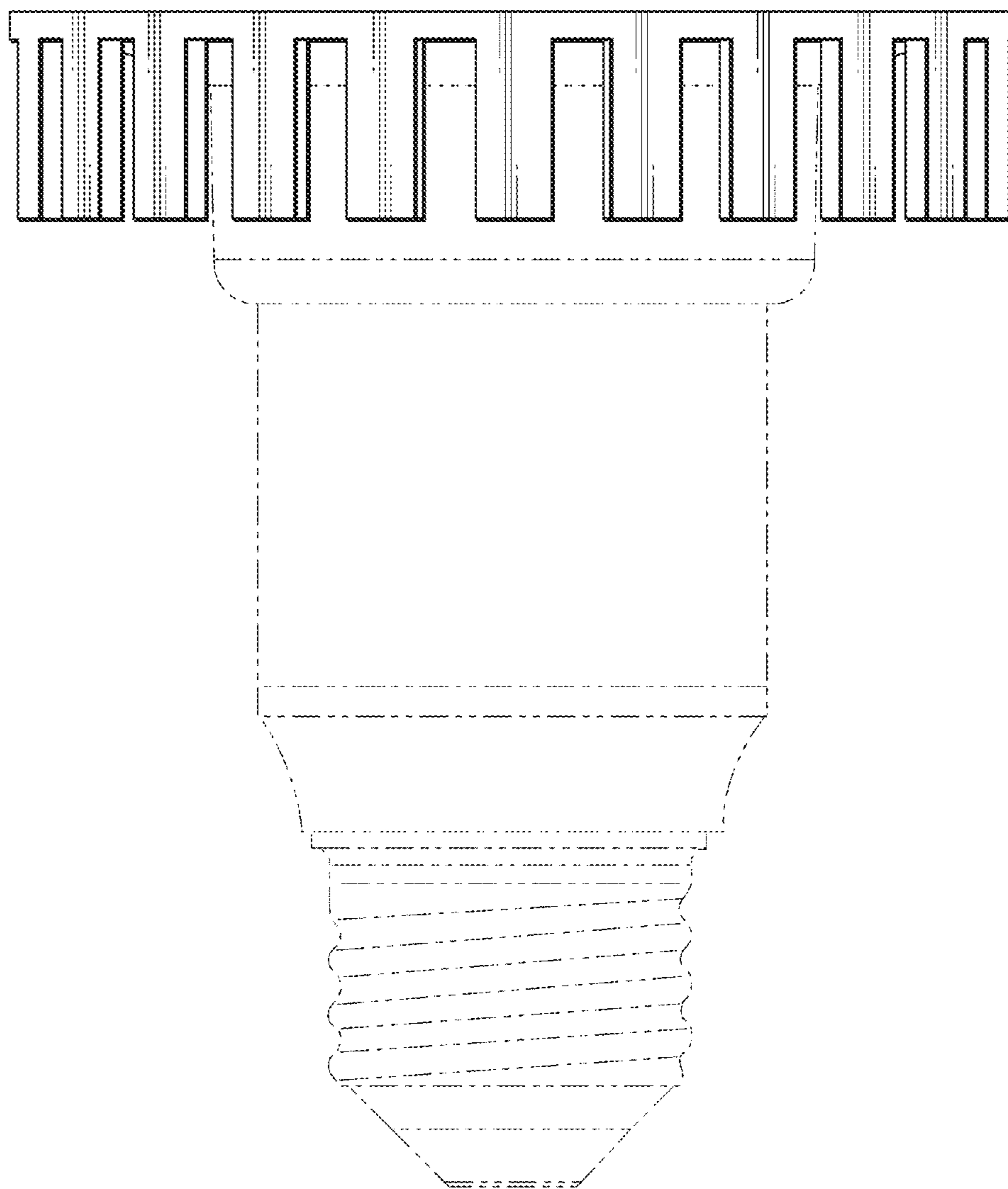


FIG. 3

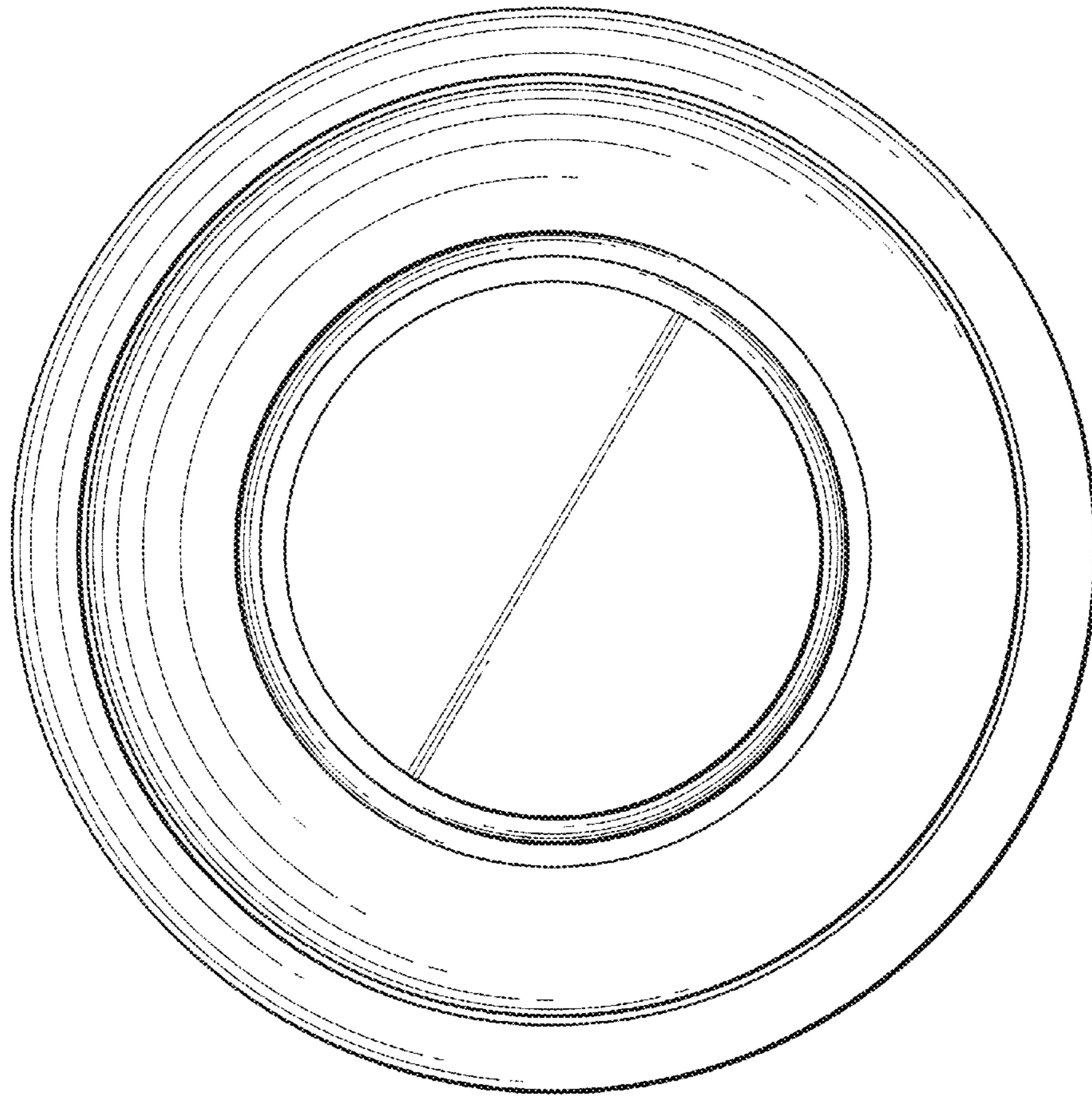


FIG. 4

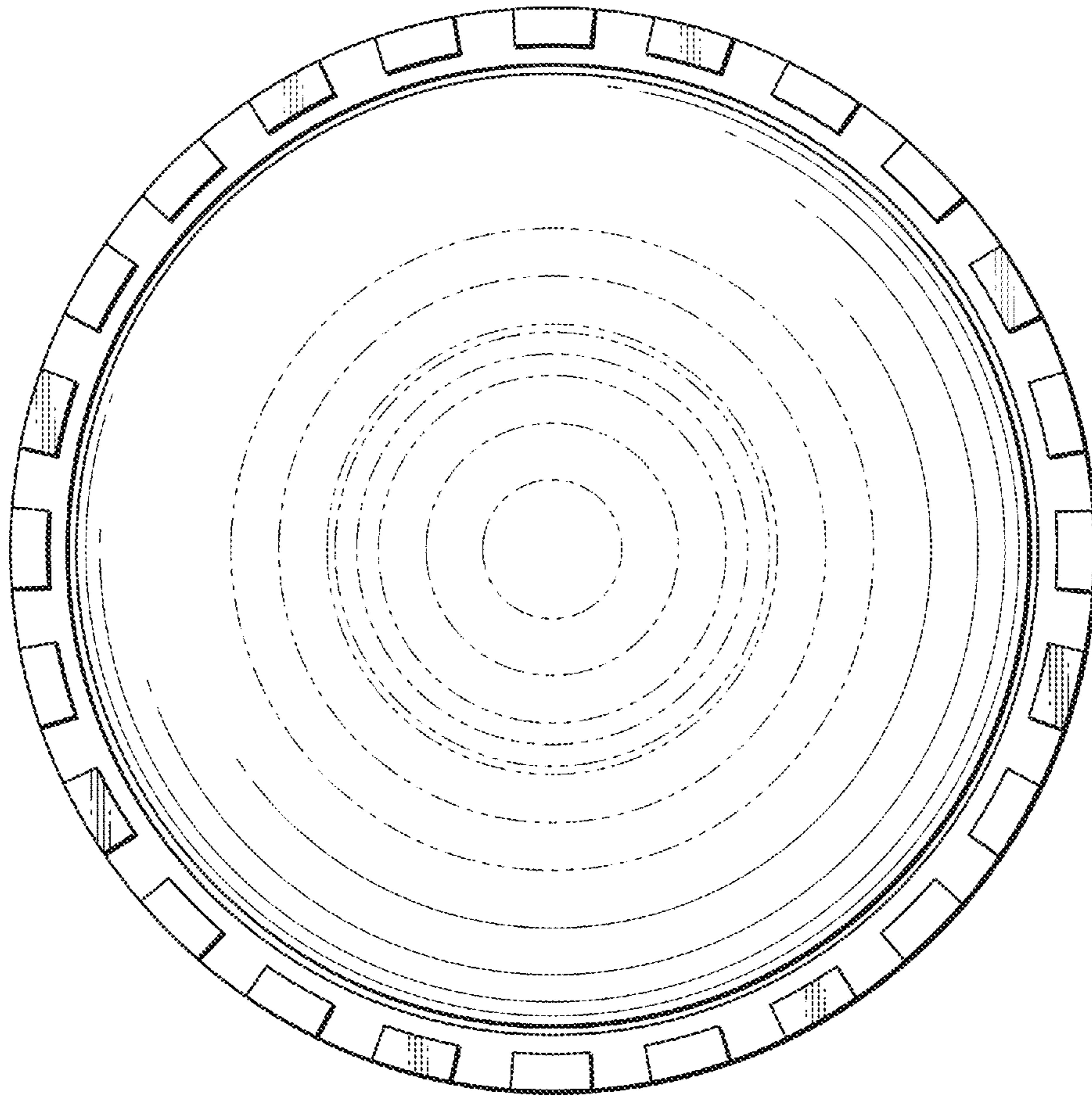


FIG. 5