



US00D705480S

(12) **United States Design Patent**
Acampora et al.

(10) **Patent No.:** **US D705,480 S**

(45) **Date of Patent:** **** May 20, 2014**

(54) **LIGHT FIXTURE**

(71) Applicant: **ABL IP Holding LLC**, Conyers, GA
(US)

(72) Inventors: **Kenneth J. Acampora**, Northridge, CA
(US); **Kristen L. Quevy**, Chatsworth,
CA (US)

(73) Assignee: **ABL IP Holding LLC**, Conyers, GA
(US)

(**) Term: **14 Years**

(21) Appl. No.: **29/452,666**

(22) Filed: **Apr. 19, 2013**

(51) **LOC (10) Cl.** **26-99**

(52) **U.S. Cl.**
USPC **D26/118**

(58) **Field of Classification Search**
USPC D26/152, 113, 118, 119, 154, 61, 62,
D26/65, 75, 16, 1, 2, 3, 120, 138, 128, 155,
D26/76, 121, 124, 125, 123, 141, 142, 66,
D26/68, 86, 71, 72, 77, 78, 151, 145, 74, 85,
D26/89, 82, 84, 92, 87, 136, 63, 59, 28, 11,
D26/9, 22, 81, 127, 129, 130, 131, 133, 134,
D26/135, 55; D13/179, 180; 362/219, 223,
362/225, 347, 346, 373, 326, 283, 249.02,
362/362, 374, 375, 408, 327, 328, 404, 297,
362/147, 149, 249.03, 249.11; D23/377,
D23/411, 413; D11/89, 90
See application file for complete search history.

(56) **References Cited**

U.S. PATENT DOCUMENTS

D208,877 S * 10/1967 MacLeod, Jr. D26/63
4,410,933 A * 10/1983 Blake et al. 362/371

D286,444 S * 10/1986 Jankowski et al. D26/65
D325,789 S * 4/1992 Atkinson D26/63
D336,533 S * 6/1993 Hout D26/63
D340,305 S * 10/1993 Hall et al. D26/68
D351,038 S * 9/1994 Snoke et al. D26/65
5,354,030 A * 10/1994 Harwood 248/316.1
D354,148 S * 1/1995 Roos D26/63
D355,723 S * 2/1995 Roos et al. D26/63
D370,990 S * 6/1996 Lin D26/63
D425,232 S * 5/2000 Chang D26/63
D437,437 S * 2/2001 Donato D26/63
D437,439 S * 2/2001 Tang D26/63
D437,651 S * 2/2001 Tang D26/63
D444,251 S * 6/2001 Donato D26/63
D475,479 S * 6/2003 Lin D26/64
D479,756 S * 9/2003 Agro et al. D26/63

(Continued)

Primary Examiner — Kevin Rudzinski

(74) *Attorney, Agent, or Firm* — Kilpatrick Townsend &
Stockton, LLP

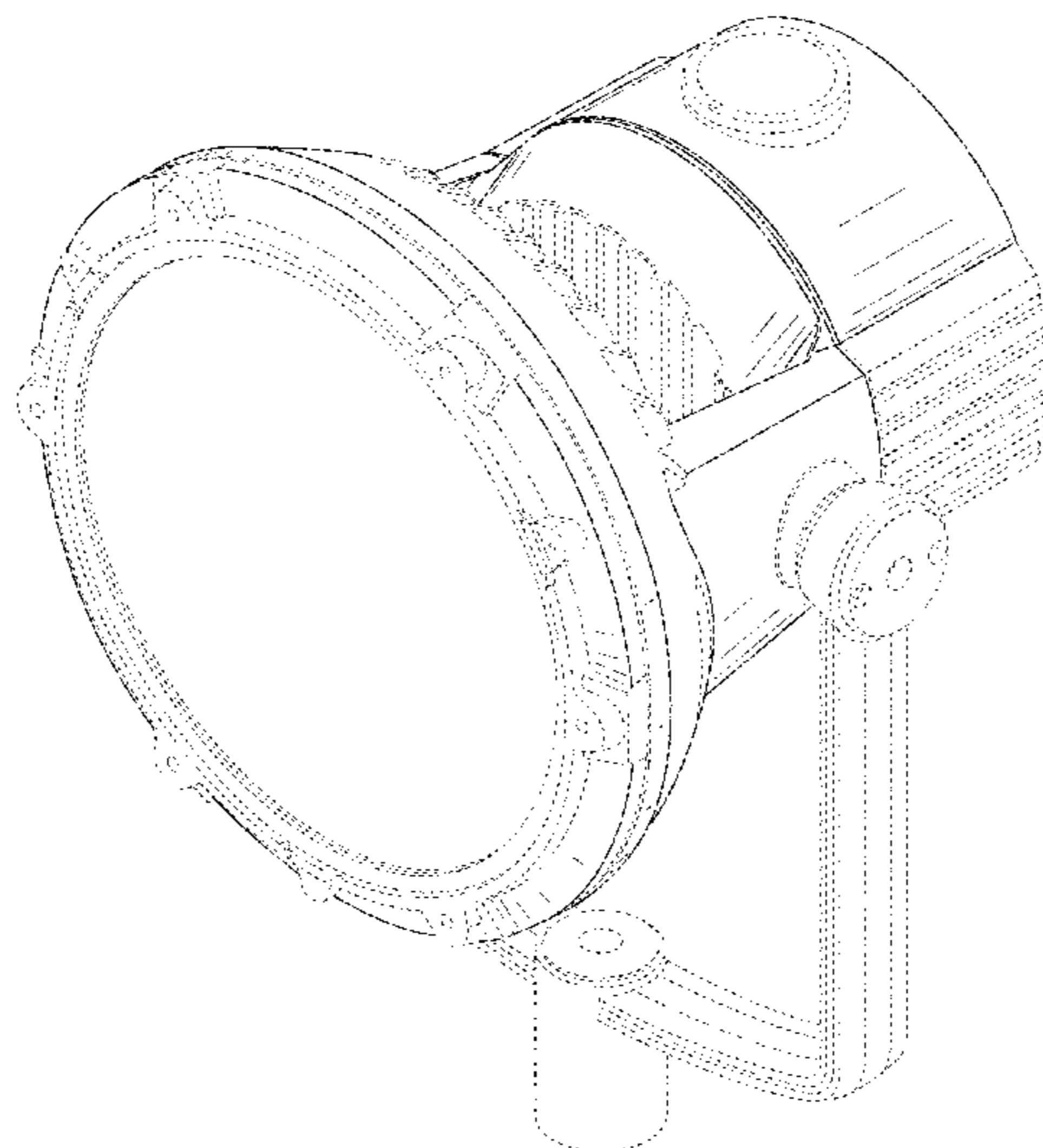
(57) **CLAIM**

The ornamental design for a light fixture, as shown and
described.

DESCRIPTION

FIG. 1 is a front perspective view of a light fixture.
FIG. 2 is a rear perspective view of the light fixture of FIG. 1.
FIG. 3 is a front elevation view of the light fixture of FIG. 1.
FIG. 4 is a top plan view of the light fixture of FIG. 1.
FIG. 5 is a right side elevation view of the light fixture of FIG.
1, the left side elevation view being a mirror image of the right
side elevation view; and,
FIG. 6 is a rear elevation view of the light fixture of FIG. 1.
The broken lines illustrate environment of the claimed
design, and form no part of the claimed design.

1 Claim, 6 Drawing Sheets



US D705,480 S

Page 2

(56)

References Cited

U.S. PATENT DOCUMENTS

D488,247 S * 4/2004 Lin D26/64
D535,424 S * 1/2007 Mier-Langner et al. D26/63
D575,891 S * 8/2008 Calleja D26/63

D634,871 S * 3/2011 Wooh D26/63
D642,716 S * 8/2011 Spaccasassi et al. D26/63
D659,894 S * 5/2012 Orrom et al. D26/118
D663,061 S * 7/2012 Choi et al. D26/63
D663,877 S 7/2012 Quevy et al.

* cited by examiner

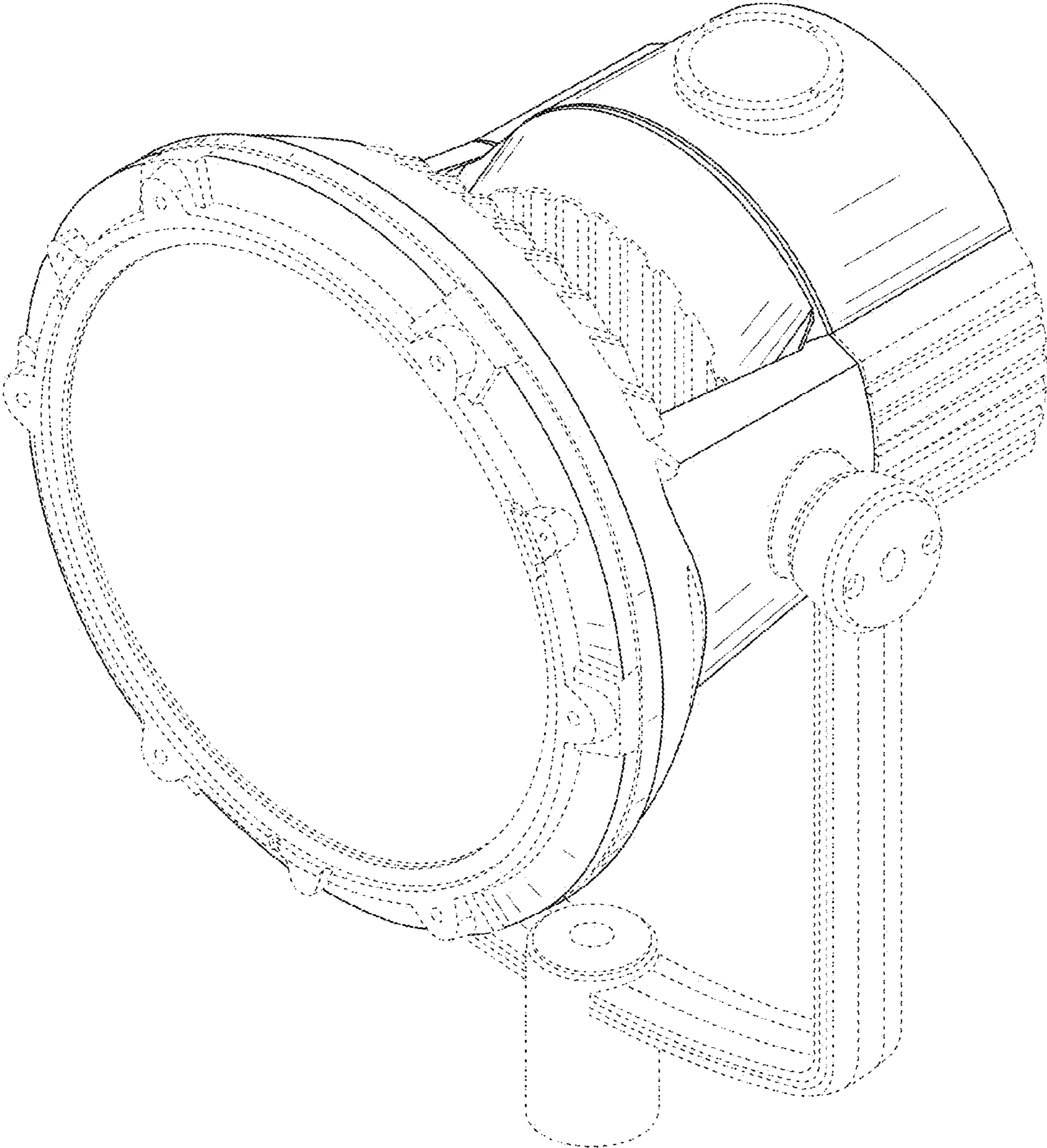


FIG. 1

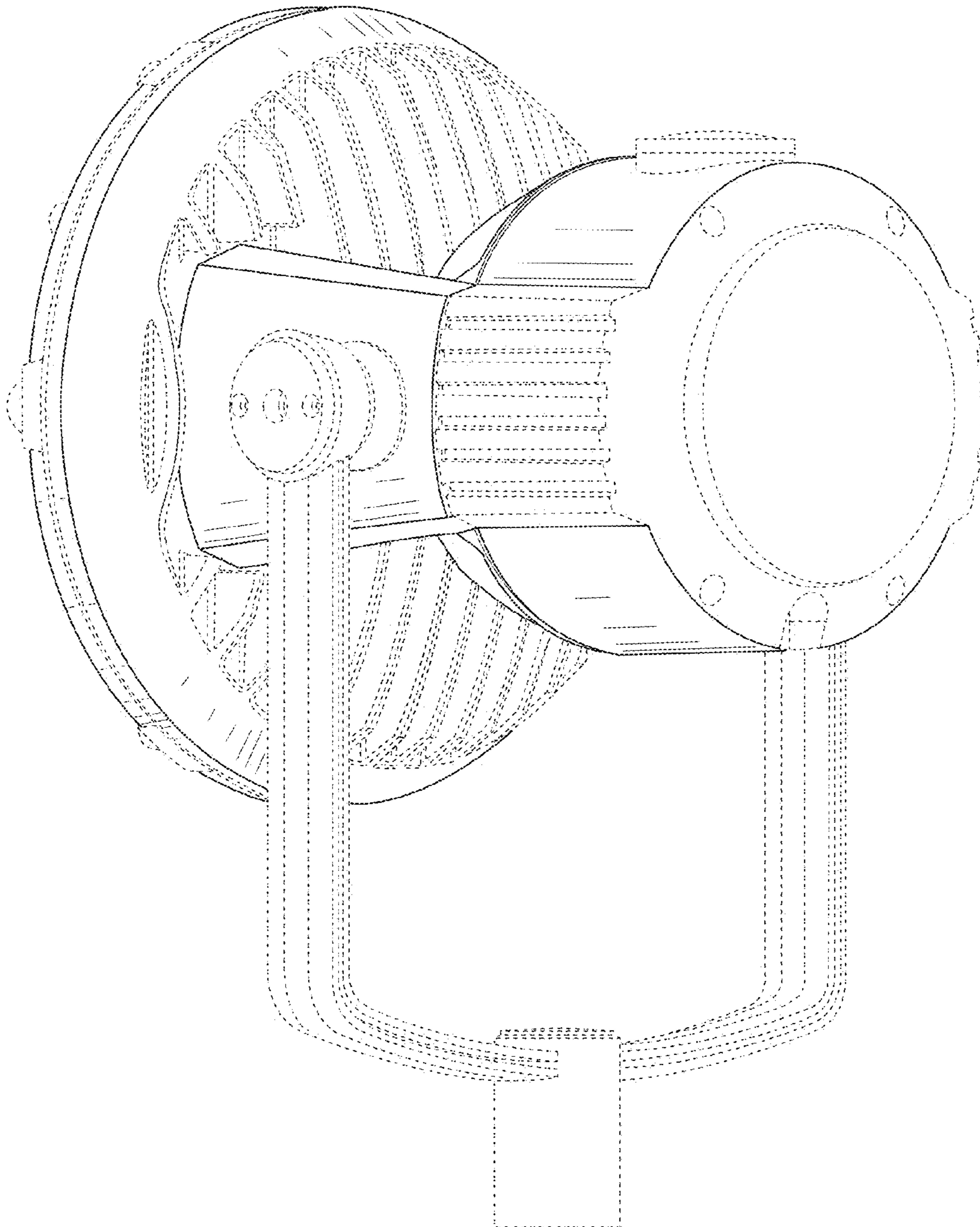


FIG. 2

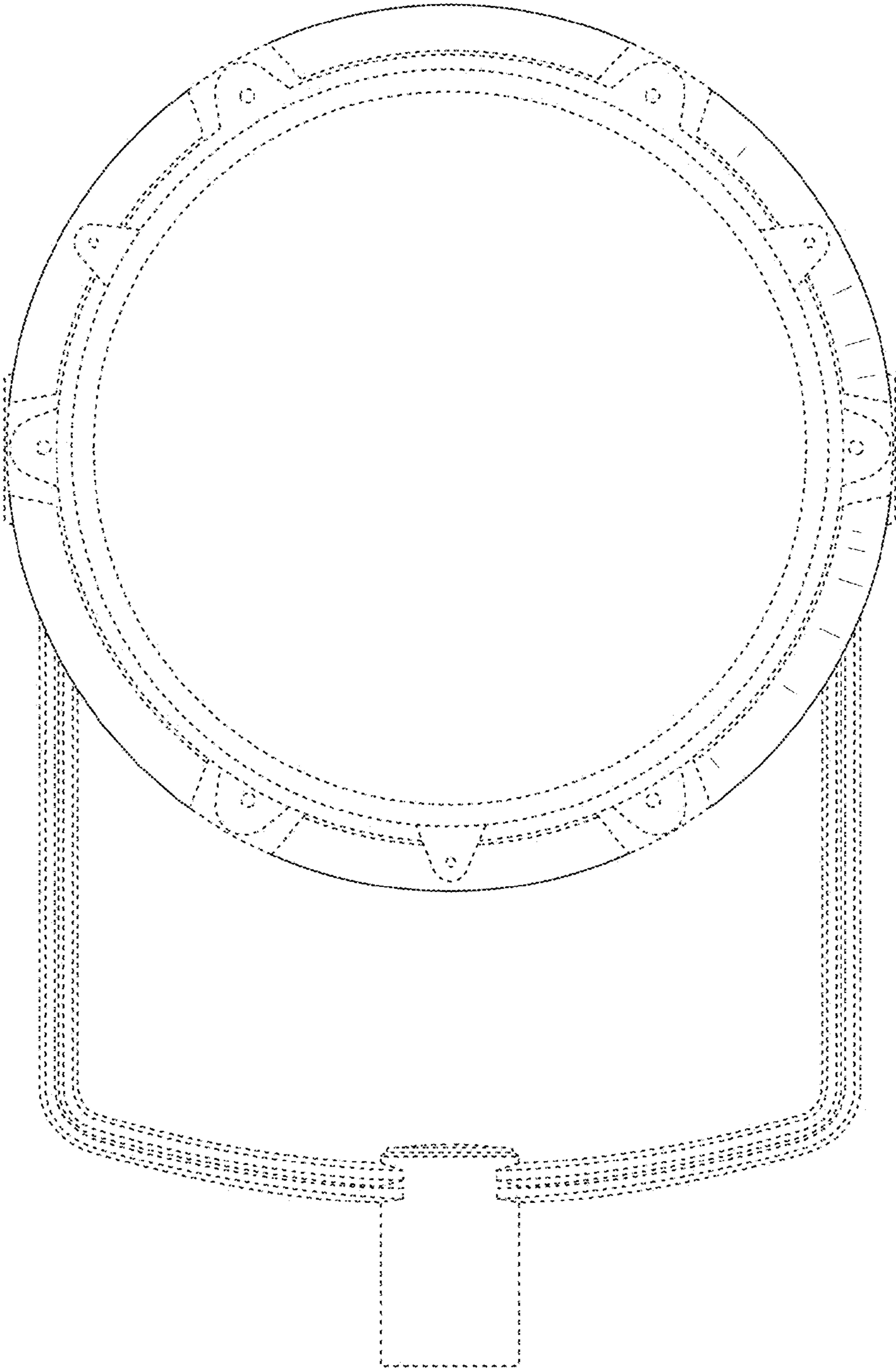


FIG. 3

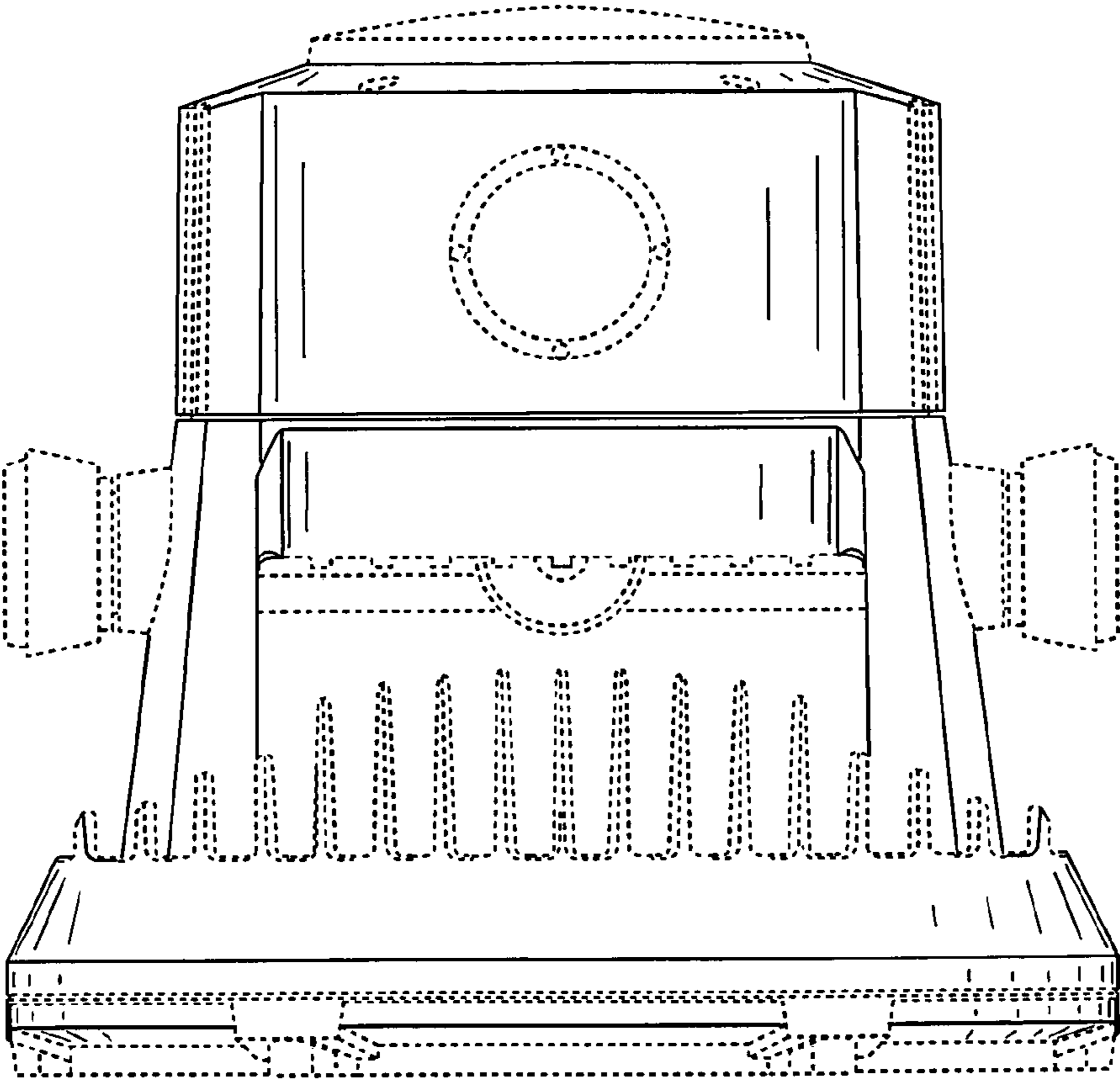


FIG. 4

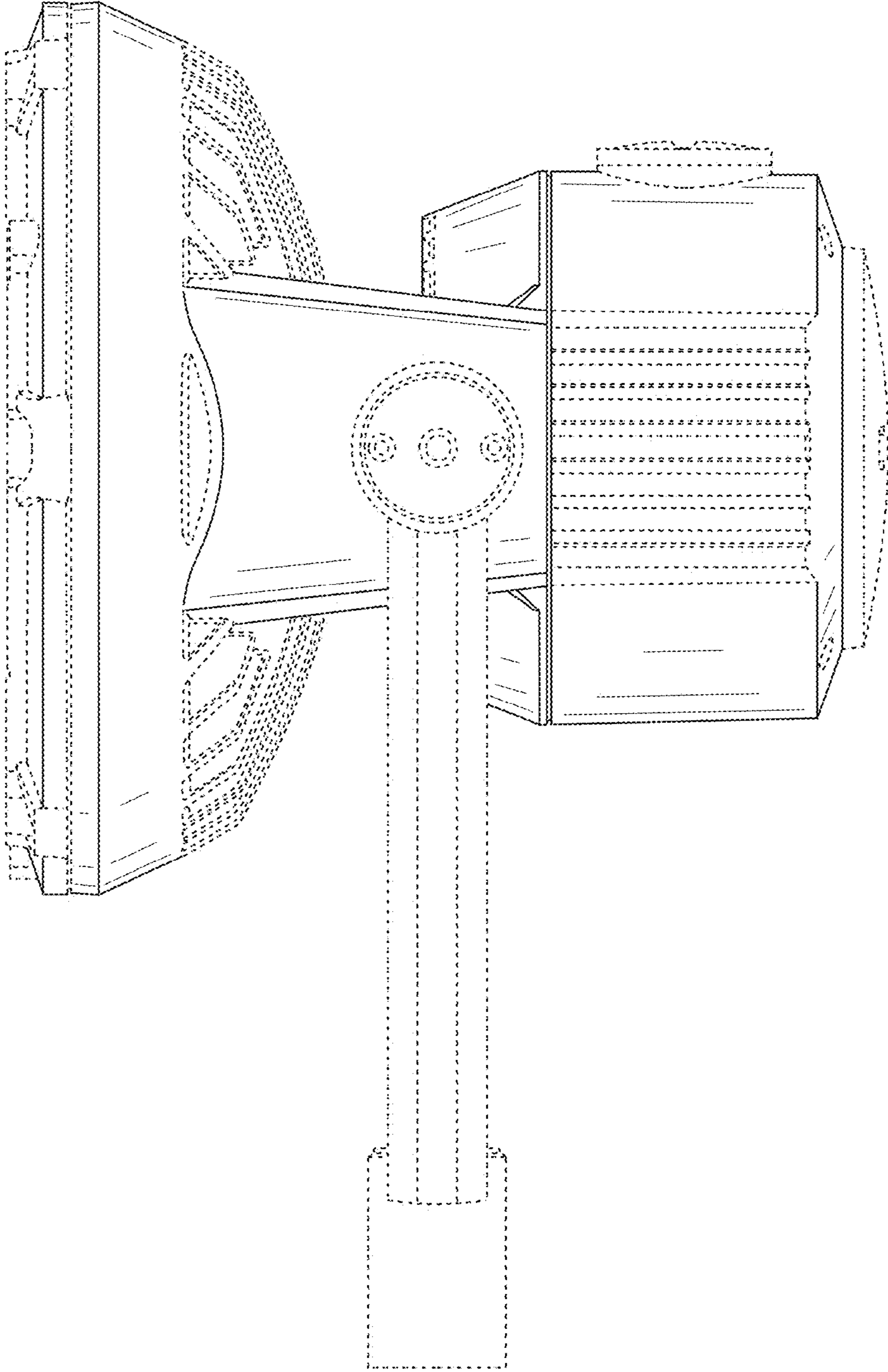


FIG. 5

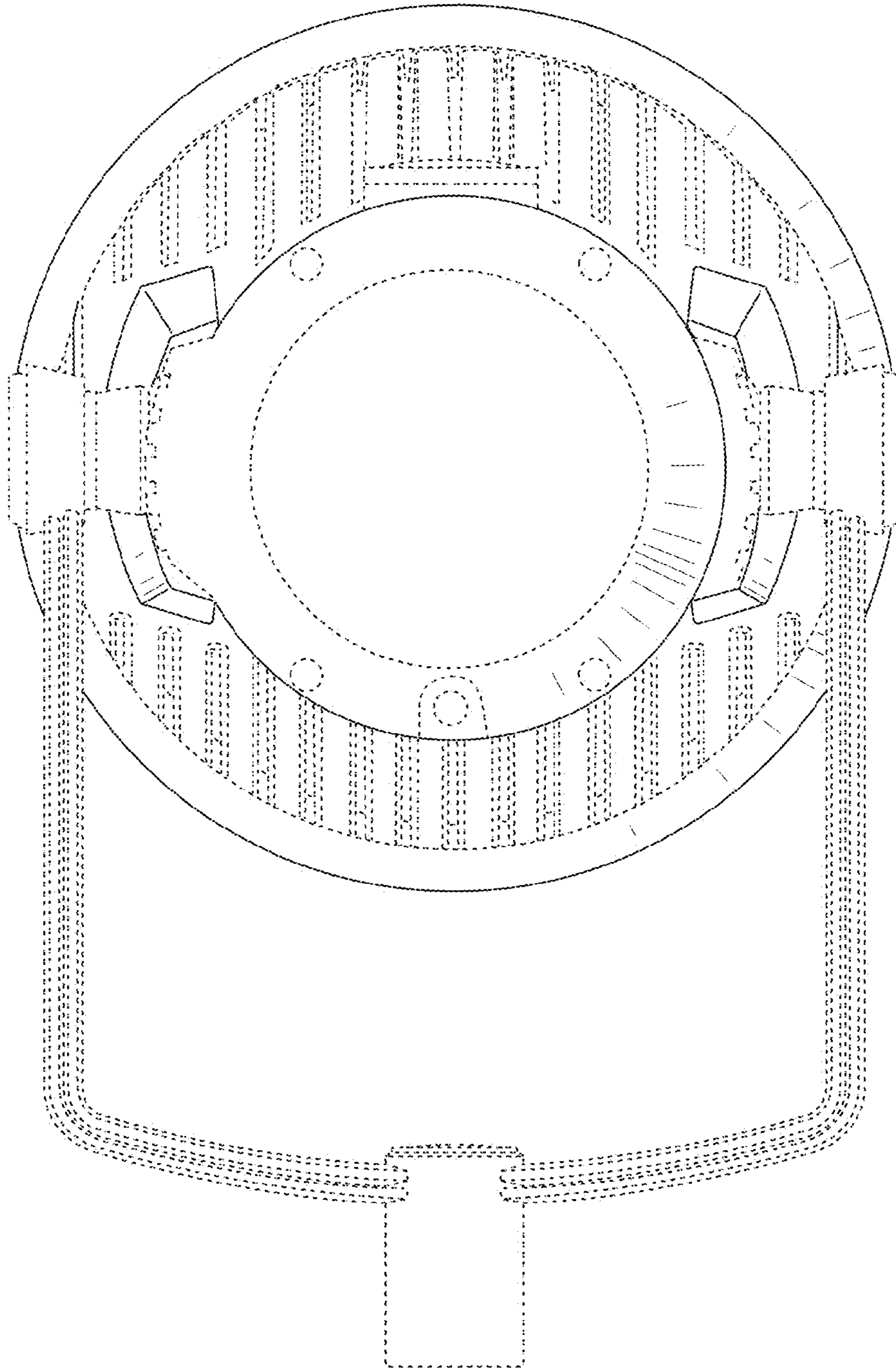


FIG. 6