



US00D705479S

(12) **United States Design Patent**
Clifton-Draper et al.

(10) **Patent No.:** **US D705,479 S**

(45) **Date of Patent:** **** May 20, 2014**

- (54) **LANTERN TANK**
- (71) Applicants: **Julia Diana Clifton-Draper**, New Port Richey, FL (US); **George Edward Draper**, New Port Richey, FL (US)
- (72) Inventors: **Julia Diana Clifton-Draper**, New Port Richey, FL (US); **George Edward Draper**, New Port Richey, FL (US)
- (**) Term: **14 Years**
- (21) Appl. No.: **29/476,219**
- (22) Filed: **Dec. 12, 2013**

4,572,157	A *	2/1986	Napier	126/258
4,599,683	A *	7/1986	Beckham et al.	362/166
4,603,505	A *	8/1986	Millard	43/112
5,288,525	A *	2/1994	Diana	427/475
5,417,200	A *	5/1995	Wasielewski	126/258
D389,257	S *	1/1998	Eca et al.	D26/37
5,782,554	A *	7/1998	Huang	362/294
D396,891	S *	8/1998	Lam	D21/483
6,070,989	A *	6/2000	Yokoyama et al.	362/186
6,439,223	B1 *	8/2002	Draper et al.	126/258
6,688,877	B1 *	2/2004	Draper et al.	431/104
6,863,526	B1 *	3/2005	Draper et al.	431/100
6,887,071	B1 *	5/2005	Draper et al.	431/104
D524,968	S *	7/2006	Poon	D26/40
D545,984	S *	7/2007	Leung et al.	D26/40
D553,774	S *	10/2007	Leung et al.	D26/40
D589,187	S *	3/2009	Kung	D26/41
7,568,911	B1 *	8/2009	Draper et al.	431/231
D652,554	S *	1/2012	Leung et al.	D26/41
D674,945	S *	1/2013	Bertken	D26/40

Related U.S. Application Data

- (63) Continuation-in-part of application No. 13/865,385, filed on Apr. 18, 2013.
- (51) **LOC (10) Cl.** **26-99**
- (52) **U.S. Cl.**
USPC **D26/114**
- (58) **Field of Classification Search**
USPC D26/72, 74, 76, 120, 118, 122, 113, 69, D26/86, 2, 1, 67, 66, 68, 24, 25, 128, 138, D26/142, 145, 125, 62, 63, 40, 41, 114, D26/115; 362/375, 374, 326, 186, 294, 171; D13/179, 180
See application file for complete search history.

* cited by examiner

Primary Examiner — Kevin Rudzinski

(74) *Attorney, Agent, or Firm* — Edward P. Dutkiewicz

(57) **CLAIM**

The ornamental design for a lantern tank, as shown and described.

DESCRIPTION

FIG. 1 is a front elevational view of the lantern tank showing our new design;
 FIG. 2 is a rear elevational view;
 FIG. 3 is the right side elevational view;
 FIG. 4 is the left side elevational view of the lantern tank;
 FIG. 5 is a top plan view;
 FIG. 6 is a bottom plan view of the lantern tank; and,
 FIG. 7 is a perspective view, taken from an upper right perspective, showing the relationships of the apertures of the tank. Note the angled pyramidal protrusion for the preheating nozzle. Also note the raised central area which acts to register and locate the upper lantern components.

1 Claim, 4 Drawing Sheets

(56) **References Cited**

U.S. PATENT DOCUMENTS

D11,578	S *	1/1880	Federico	D5/32
1,678,828	A *	7/1928	Schultz	431/107
1,910,163	A *	5/1933	Hogan	431/210
2,105,292	A *	1/1938	Nier	362/171
2,128,767	A *	8/1938	Currie	362/171
2,263,659	A *	11/1941	Tullis	362/179
2,402,138	A *	6/1946	Hebard	239/116
3,408,998	A *	11/1968	Brancato et al.	126/4
3,804,075	A *	4/1974	Rummel	126/258

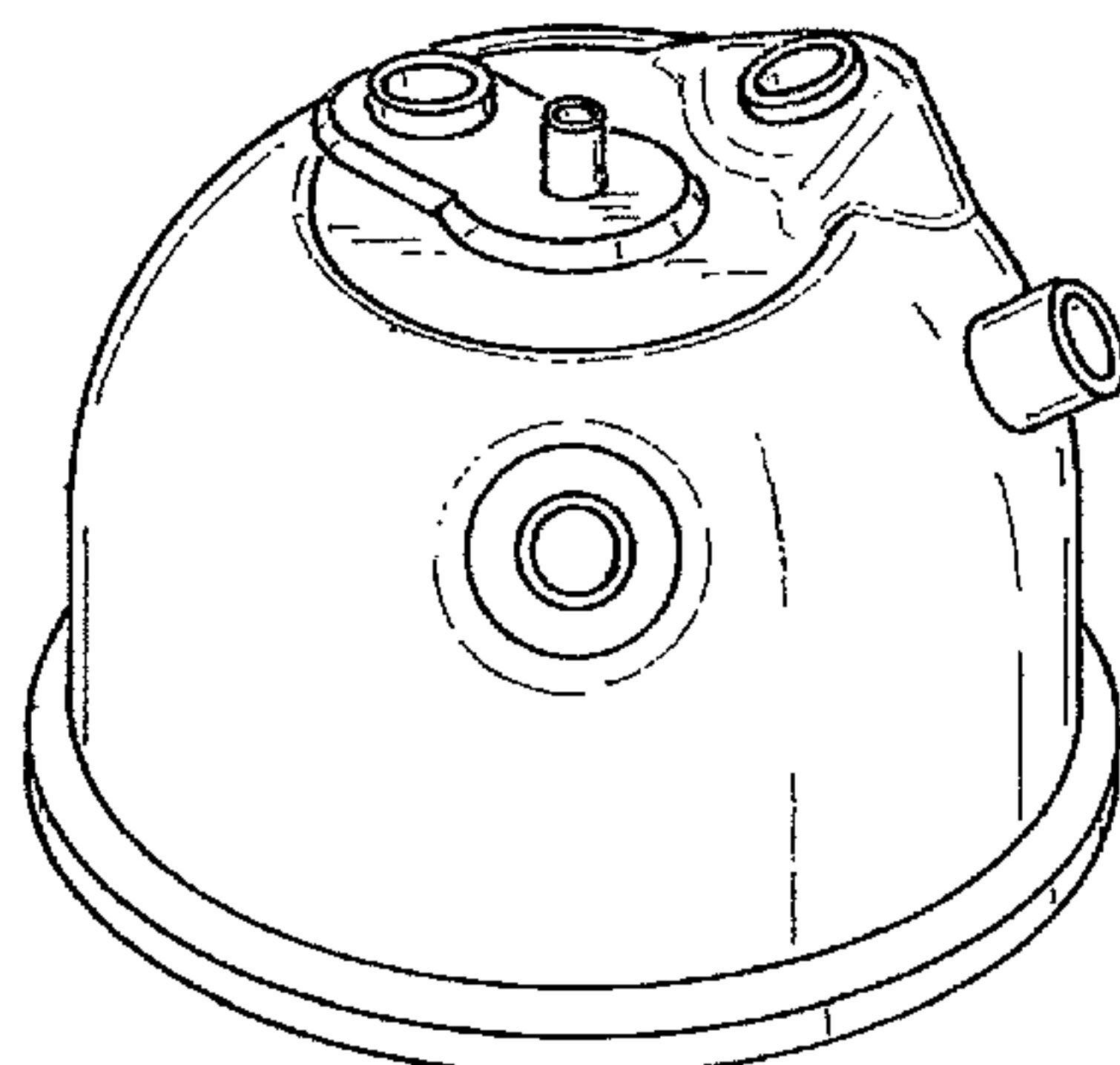


FIG. 1

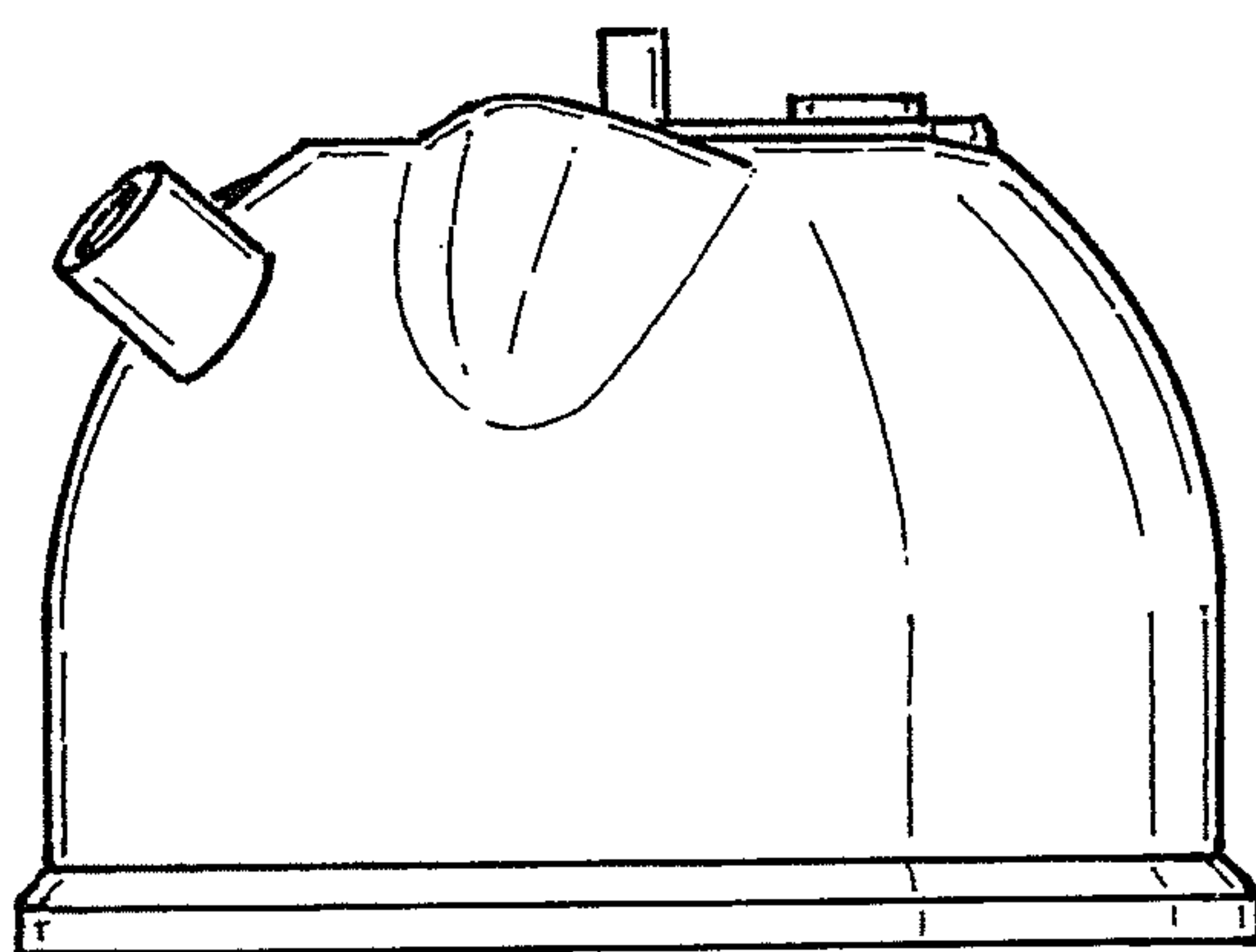
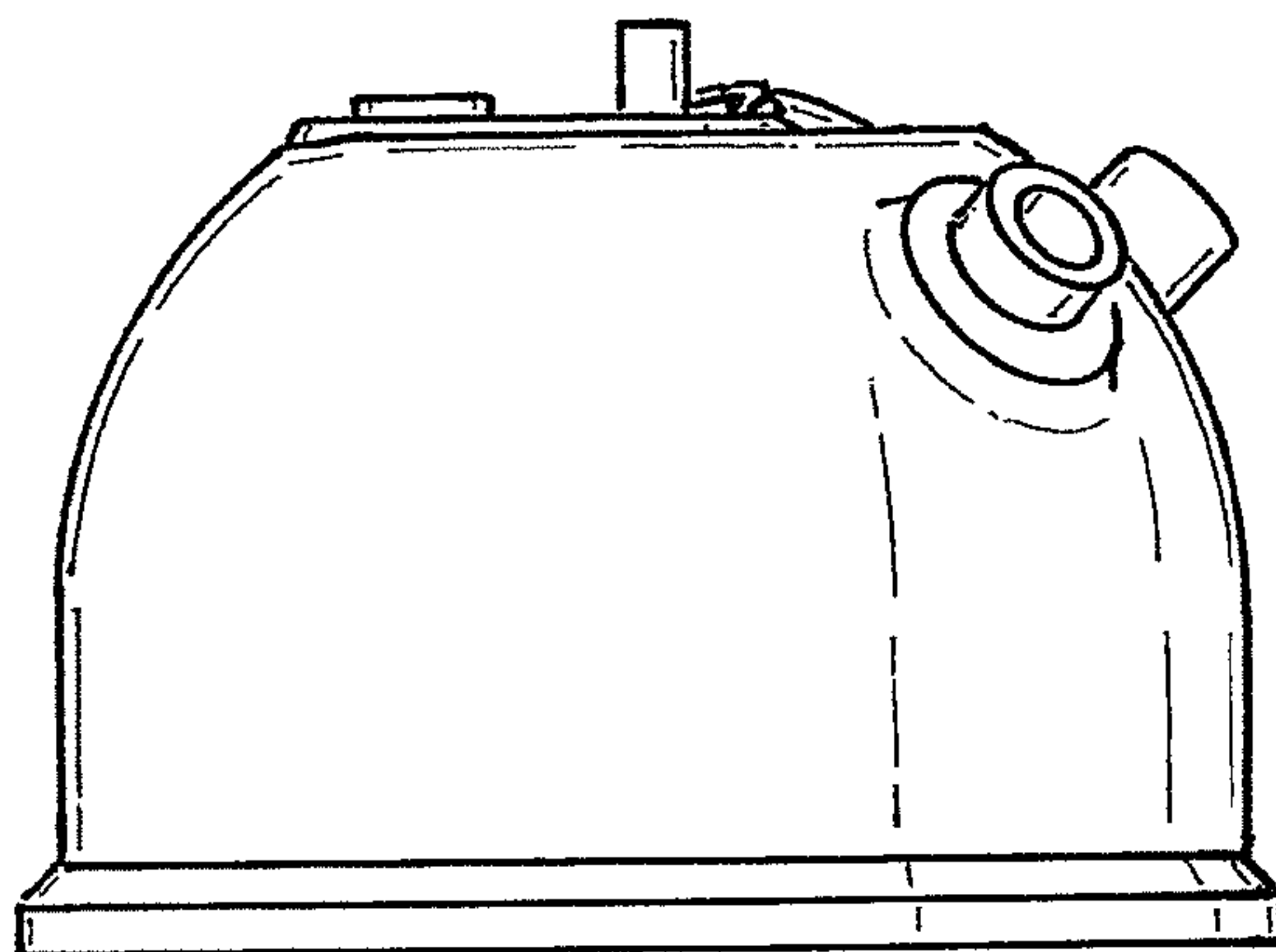


FIG. 2

FIG. 3

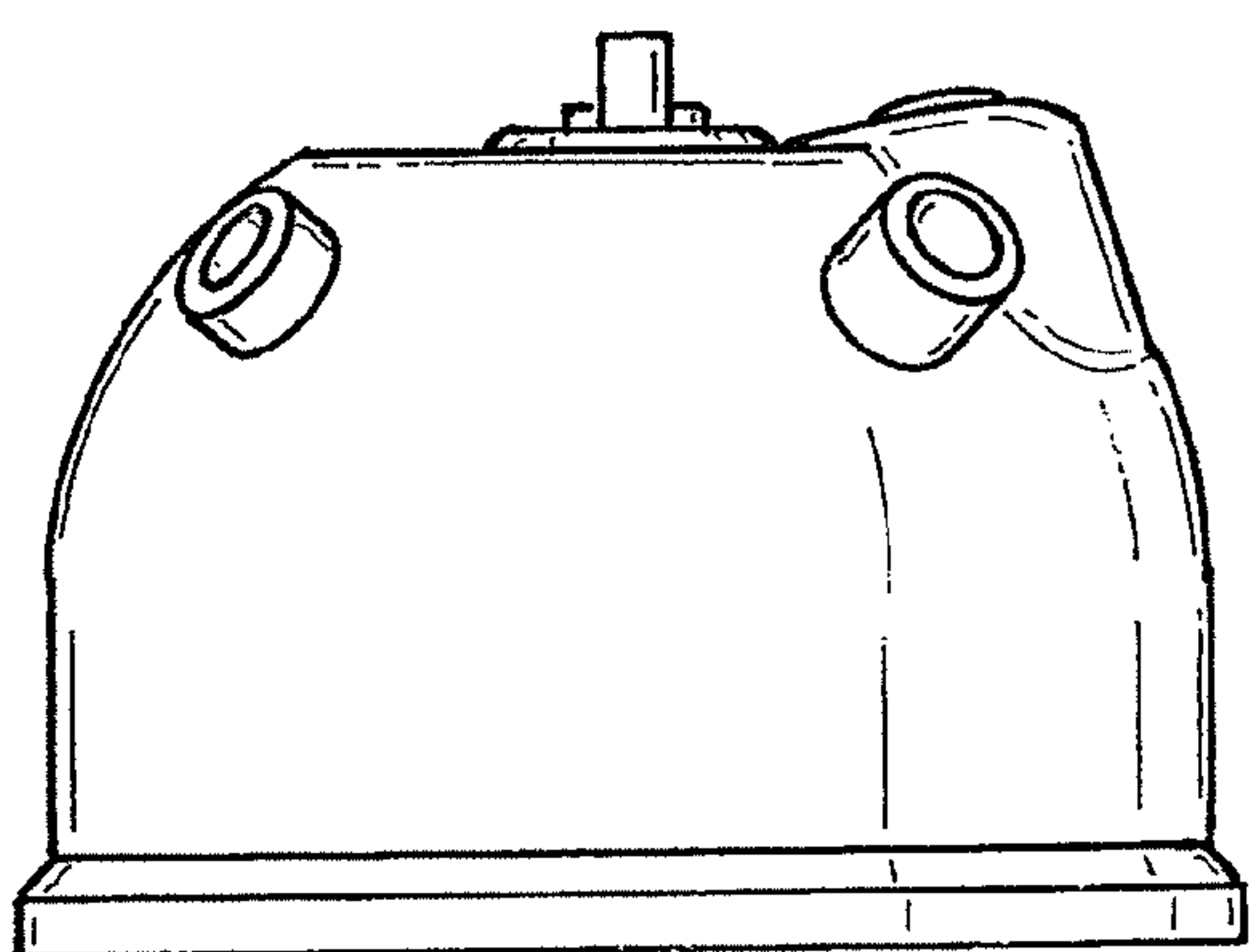
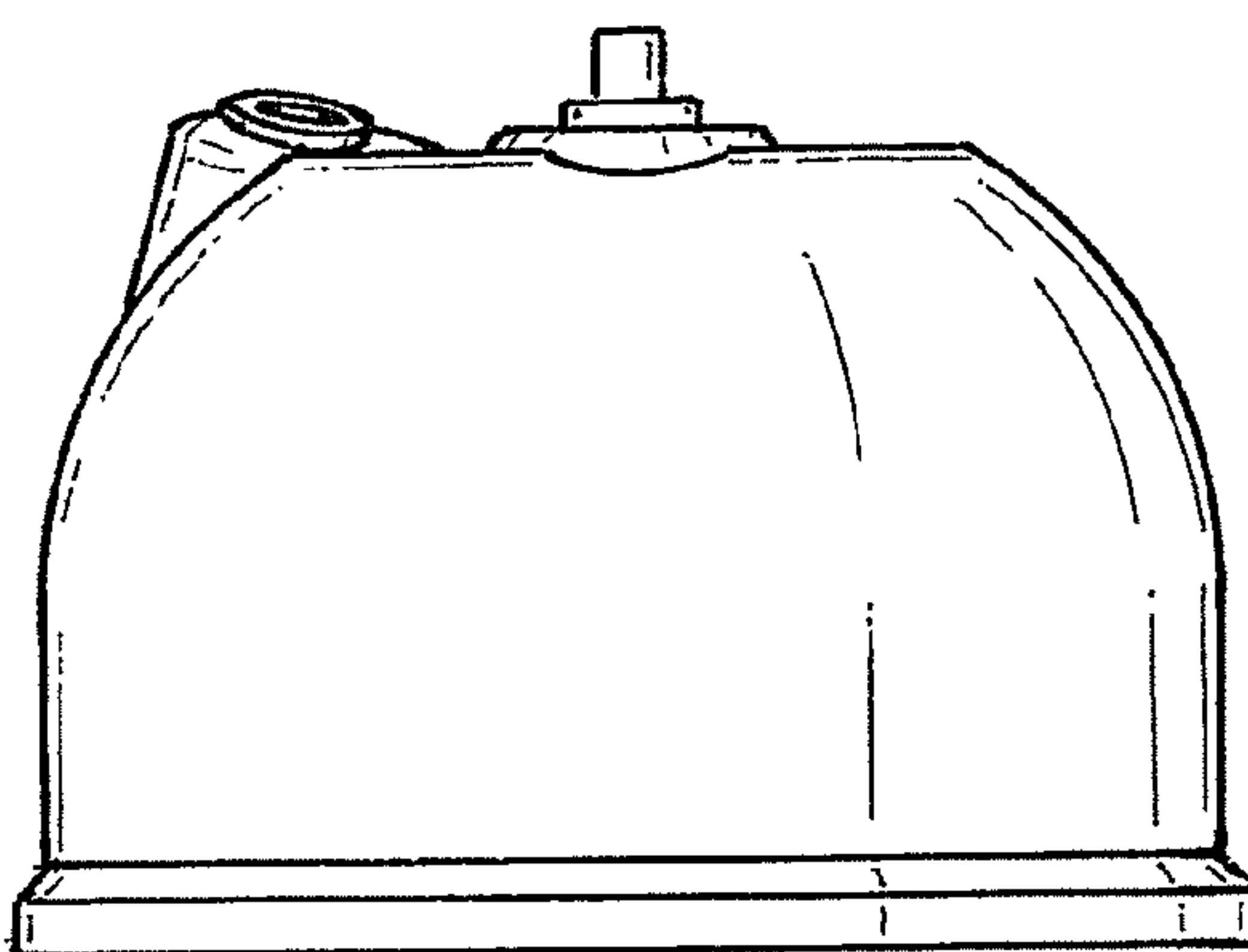


FIG. 4

FIG. 5

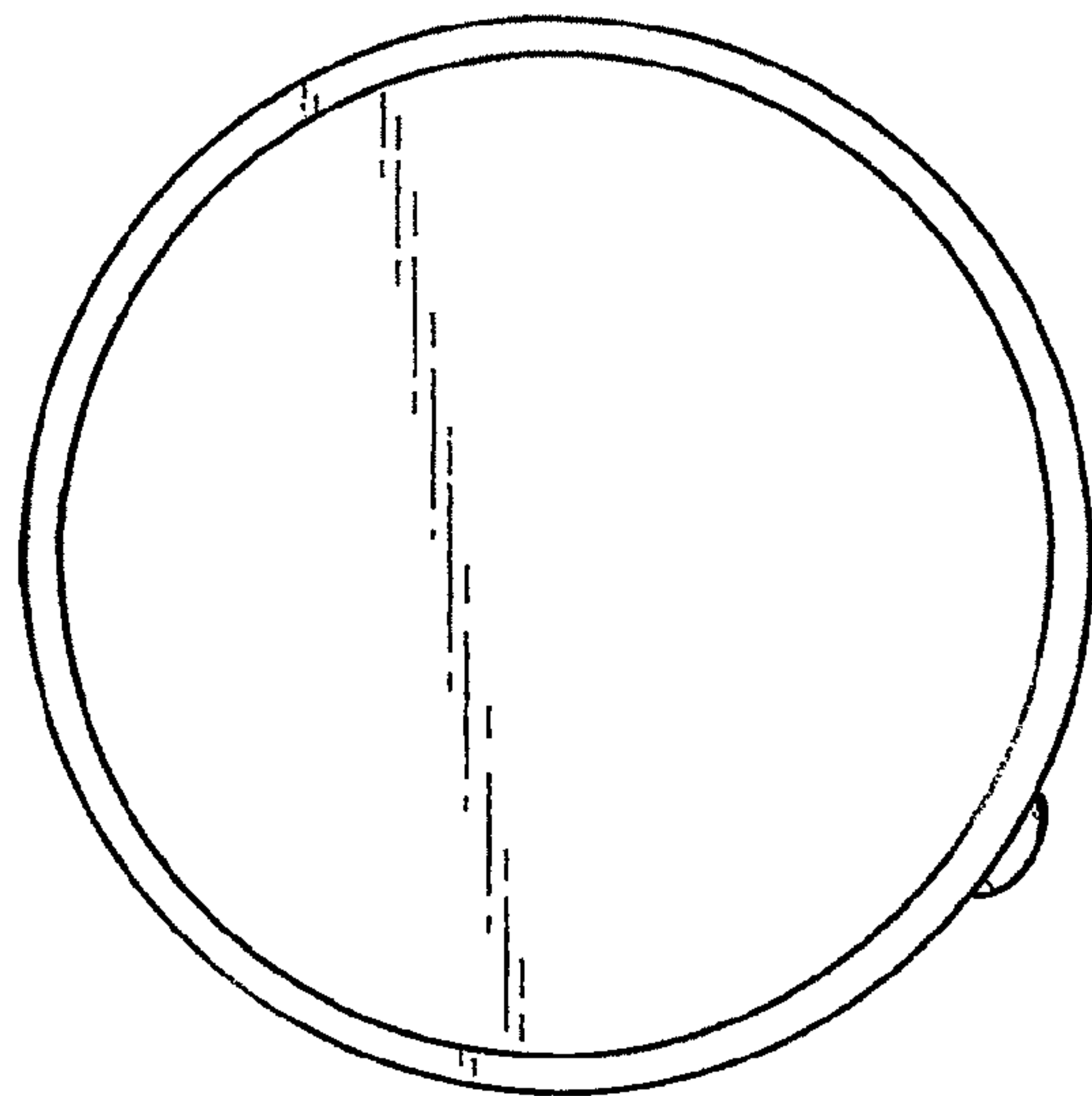
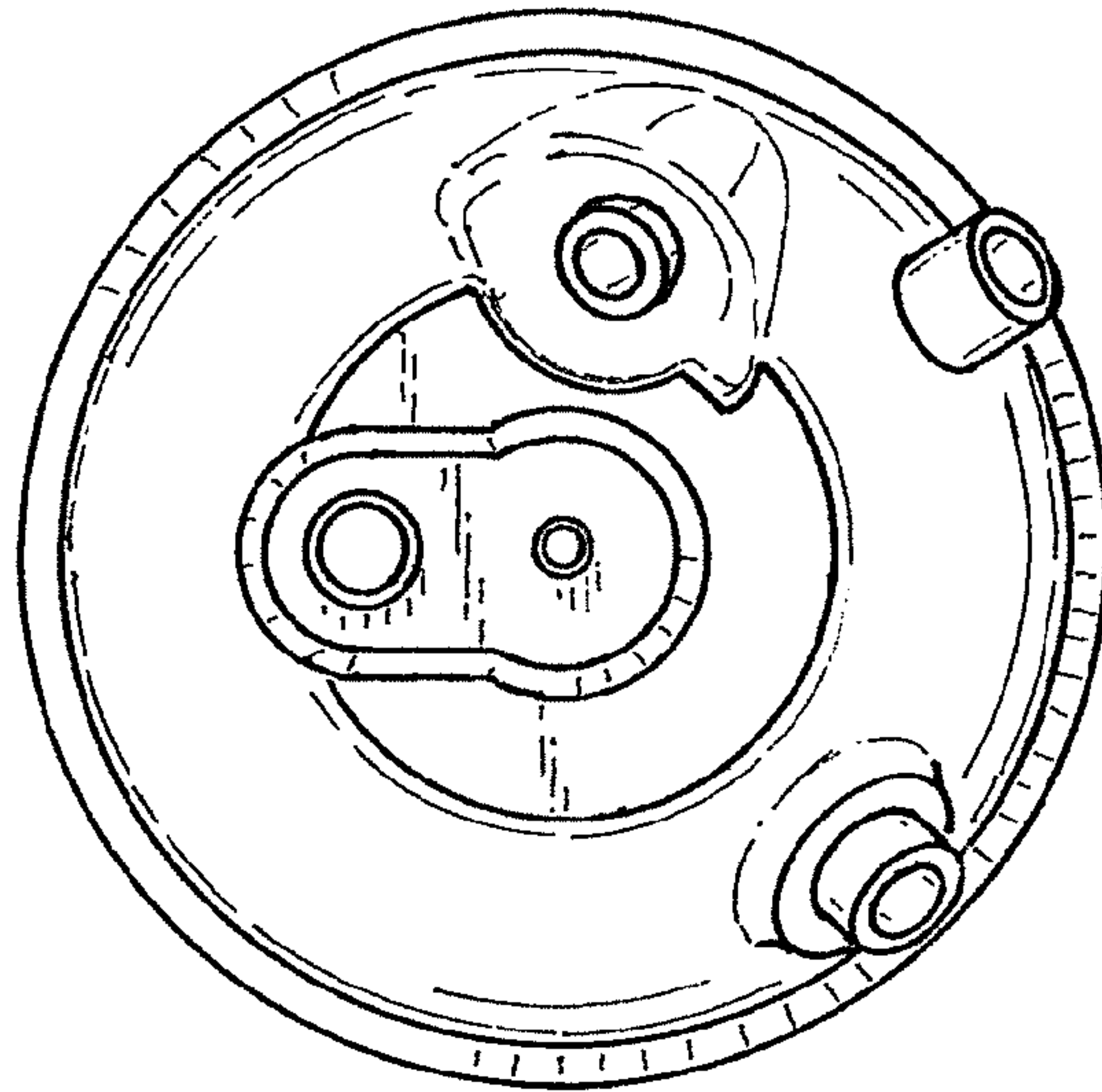


FIG. 6

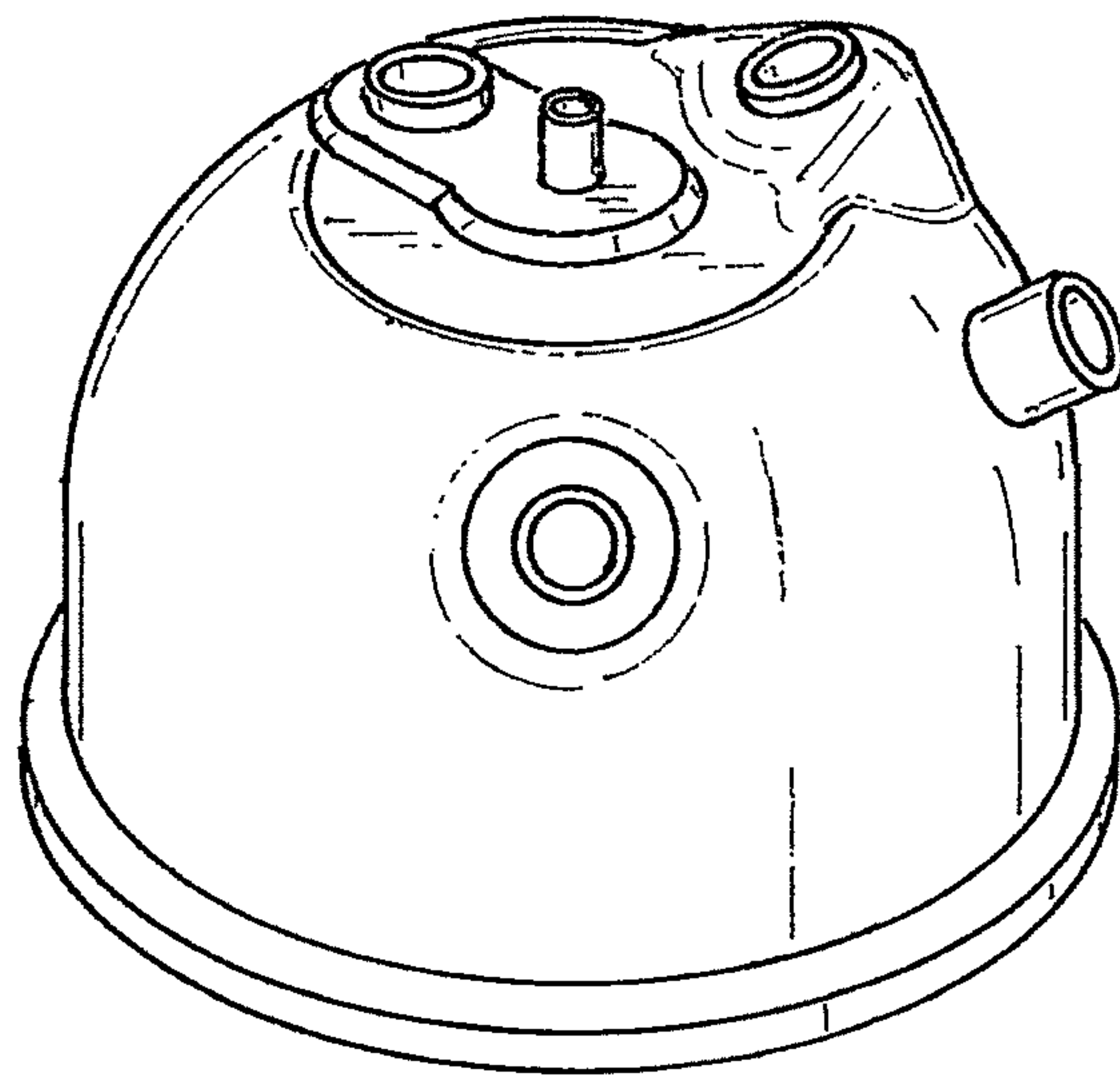


FIG. 7