



US00D705478S

(12) **United States Design Patent**
Clifton-Draper et al.

(10) **Patent No.:** **US D705,478 S**

(45) **Date of Patent:** **** May 20, 2014**

(54) **LANTERN NOZZLE**

(71) Applicants: **Julia Diana Clifton-Draper**, New Port Richey, FL (US); **George Edward Draper**, New Port Richey, FL (US)

(72) Inventors: **Julia Diana Clifton-Draper**, New Port Richey, FL (US); **George Edward Draper**, New Port Richey, FL (US)

(**) Term: **14 Years**

(21) Appl. No.: **29/476,209**

(22) Filed: **Dec. 12, 2013**

3,363,437	A *	1/1968	Naujoks	431/109
3,408,998	A *	11/1968	Brancato et al.	126/4
3,817,684	A *	6/1974	Sell	431/104
4,702,690	A *	10/1987	Sommers et al.	431/110
5,116,220	A *	5/1992	Kinzel et al.	431/113
5,267,852	A *	12/1993	Mizuno	431/203
D346,020	S *	4/1994	Kellogg et al.	D23/387
5,441,037	A *	8/1995	Yen	126/258
5,836,757	A *	11/1998	Long et al.	431/264
D417,497	S *	12/1999	Schroeter et al.	D23/393
D448,518	S *	9/2001	Long et al.	D26/114
6,439,223	B1	8/2002	Draper		
6,688,877	B1	2/2004	Draper		
6,863,526	B1	3/2005	Draper		
6,887,071	B1 *	5/2005	Draper et al.	431/104
6,913,458	B2 *	7/2005	Mosher et al.	432/222
6,929,190	B1 *	8/2005	Adrian	237/47
D542,659	S *	5/2007	Meether et al.	D9/502

* cited by examiner

Related U.S. Application Data

(63) Continuation-in-part of application No. 13/865,385, filed on Apr. 18, 2013.

(51) **LOC (10) Cl.** **26-99**

(52) **U.S. Cl.**
USPC **D26/114**

(58) **Field of Classification Search**
USPC D26/122, 118, 2, 28, 142, 123, 124, 35, D26/116, 113, 74, 75, 5, 6, 67, 68, 69, 72, D26/86, 63, 61, 39, 135, 65, 120, 121, 125, D26/126, 128, 89, 76, 132, 134, 119; 362/290, 223, 346, 240, 298, 249.02, 362/247, 347, 179, 147, 150; D10/114.4, D10/11.2, 111; 431/111, 104, 344, 109; D13/179, 180

See application file for complete search history.

Primary Examiner — Kevin Rudzinski

(74) *Attorney, Agent, or Firm* — Edward Dutkiewicz

(56) **References Cited**

U.S. PATENT DOCUMENTS

919,645	A *	4/1909	Rybar	431/109
3,140,740	A *	7/1964	Lag Reid et al.	126/6

(57) **CLAIM**

The ornamental design for a lantern nozzle, as shown and described.

DESCRIPTION

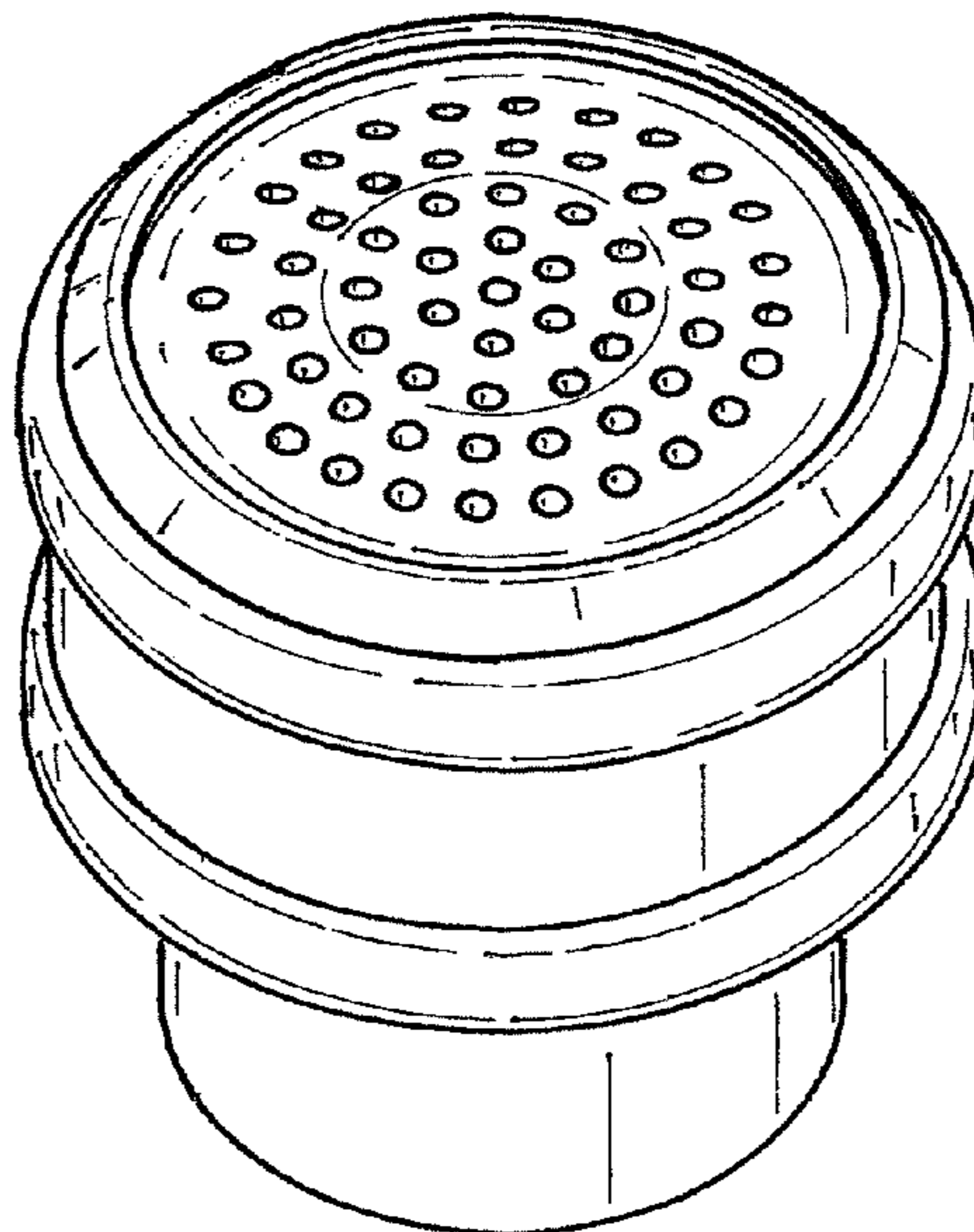
FIG. 1 is a front elevational view of the lantern nozzle showing our new design. The design is rounded, with all side views being identical, therefore one side elevational view is provided;

FIG. 2 is a top plan view of the nozzle;

FIG. 3 is a bottom plan view; and,

FIG. 4 is a perspective view taken from the top, side location, showing our new design for a lantern nozzle.

1 Claim, 3 Drawing Sheets



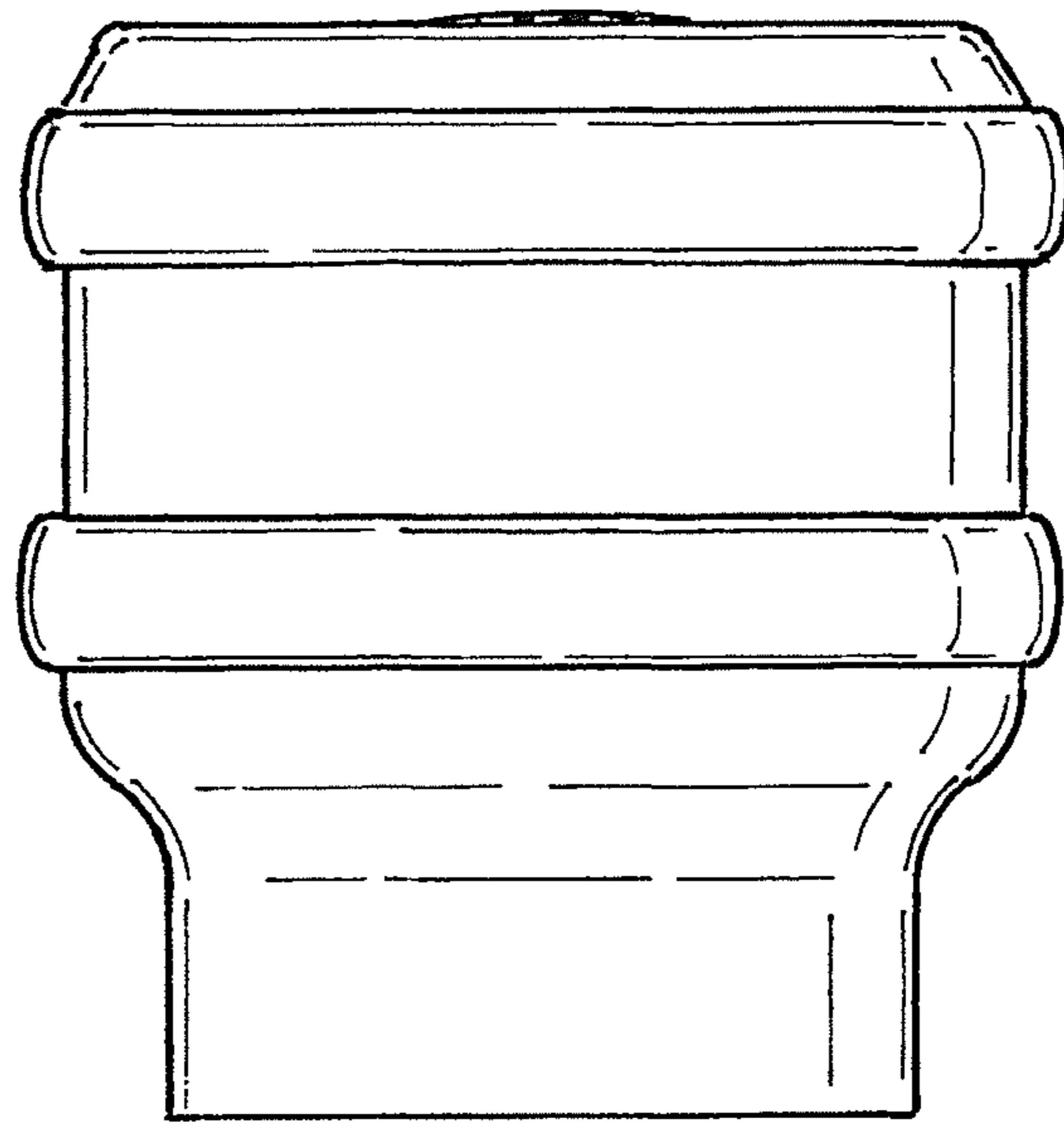


FIG. 1

FIG. 2

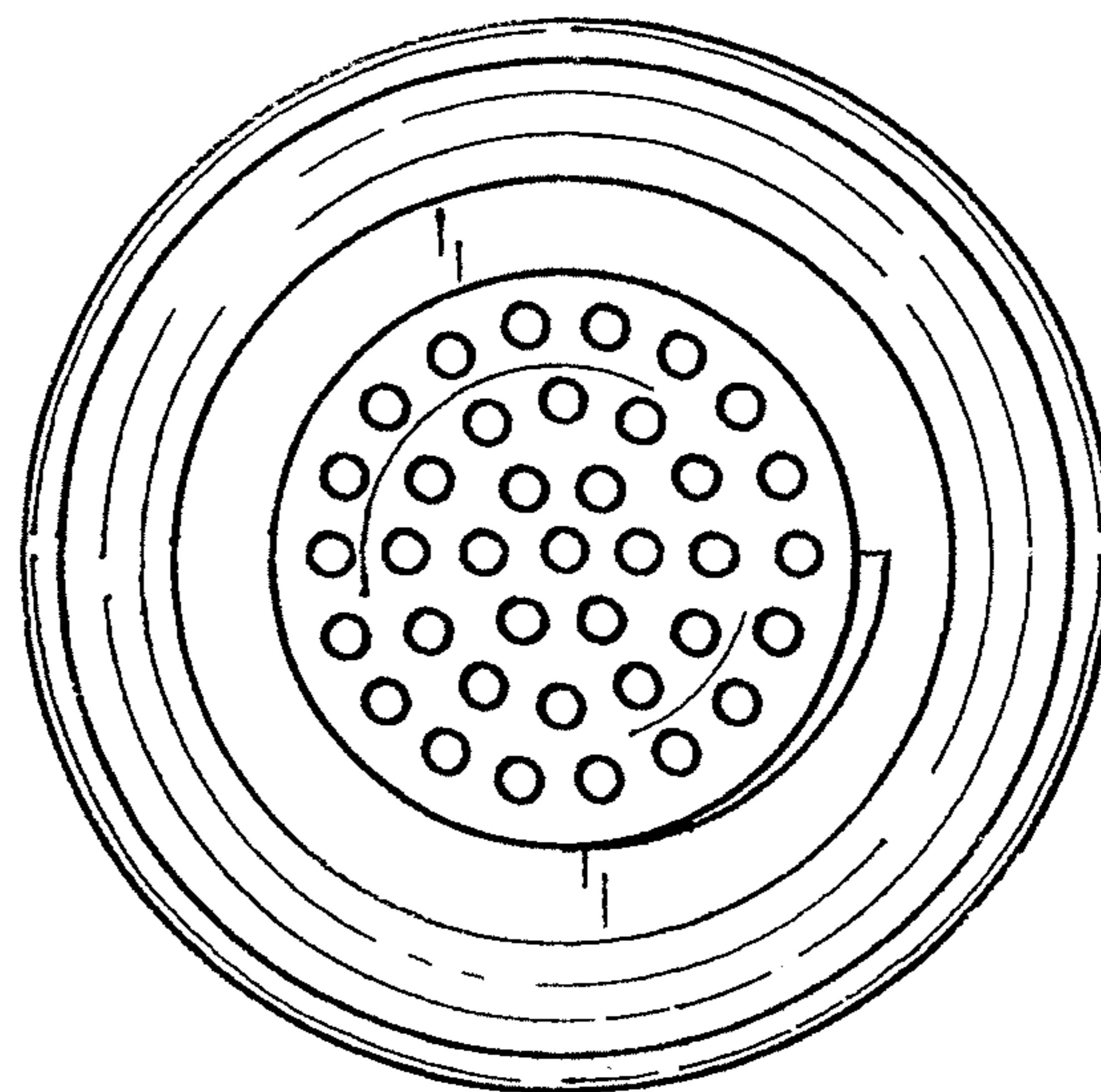
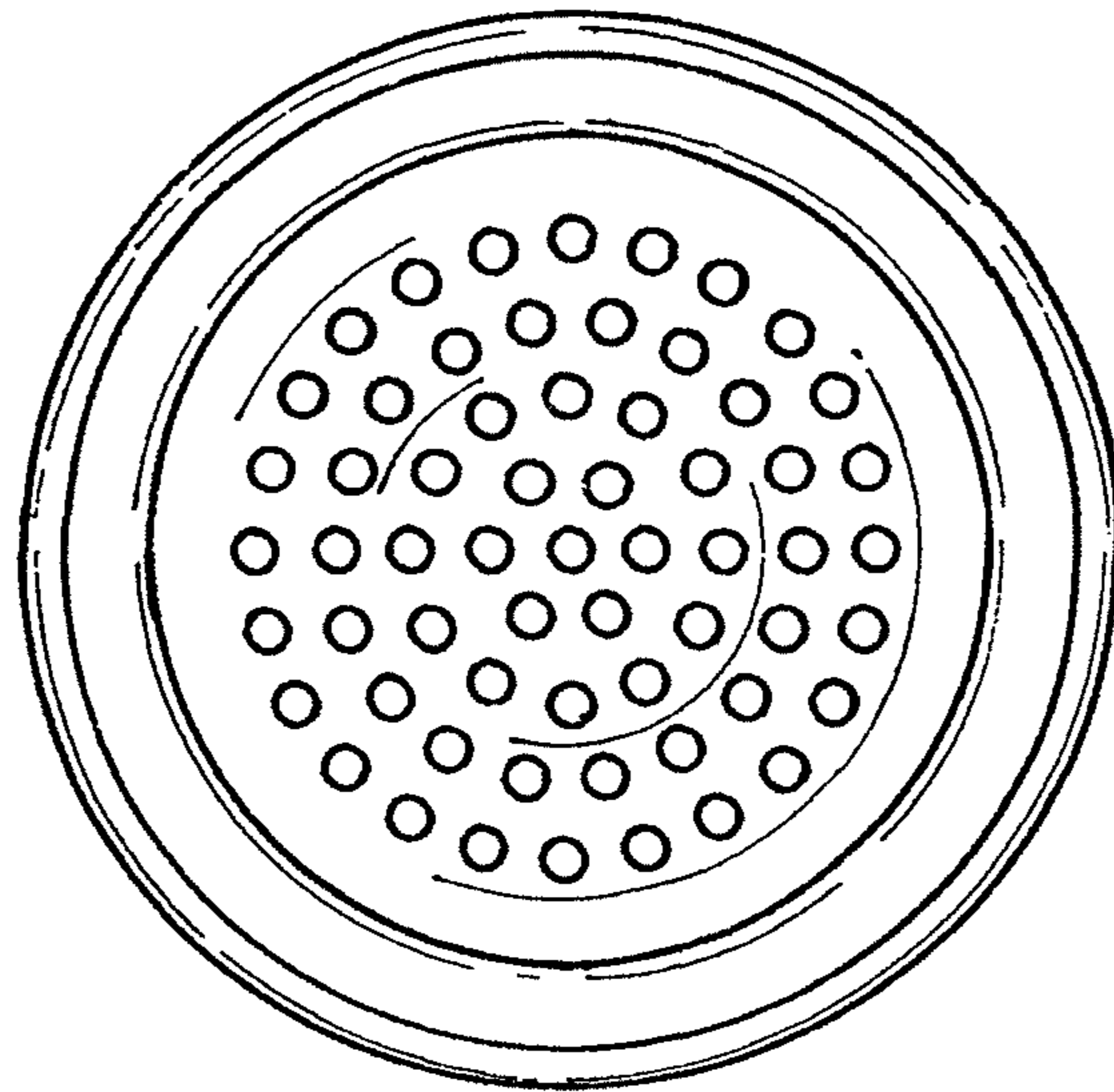


FIG. 3

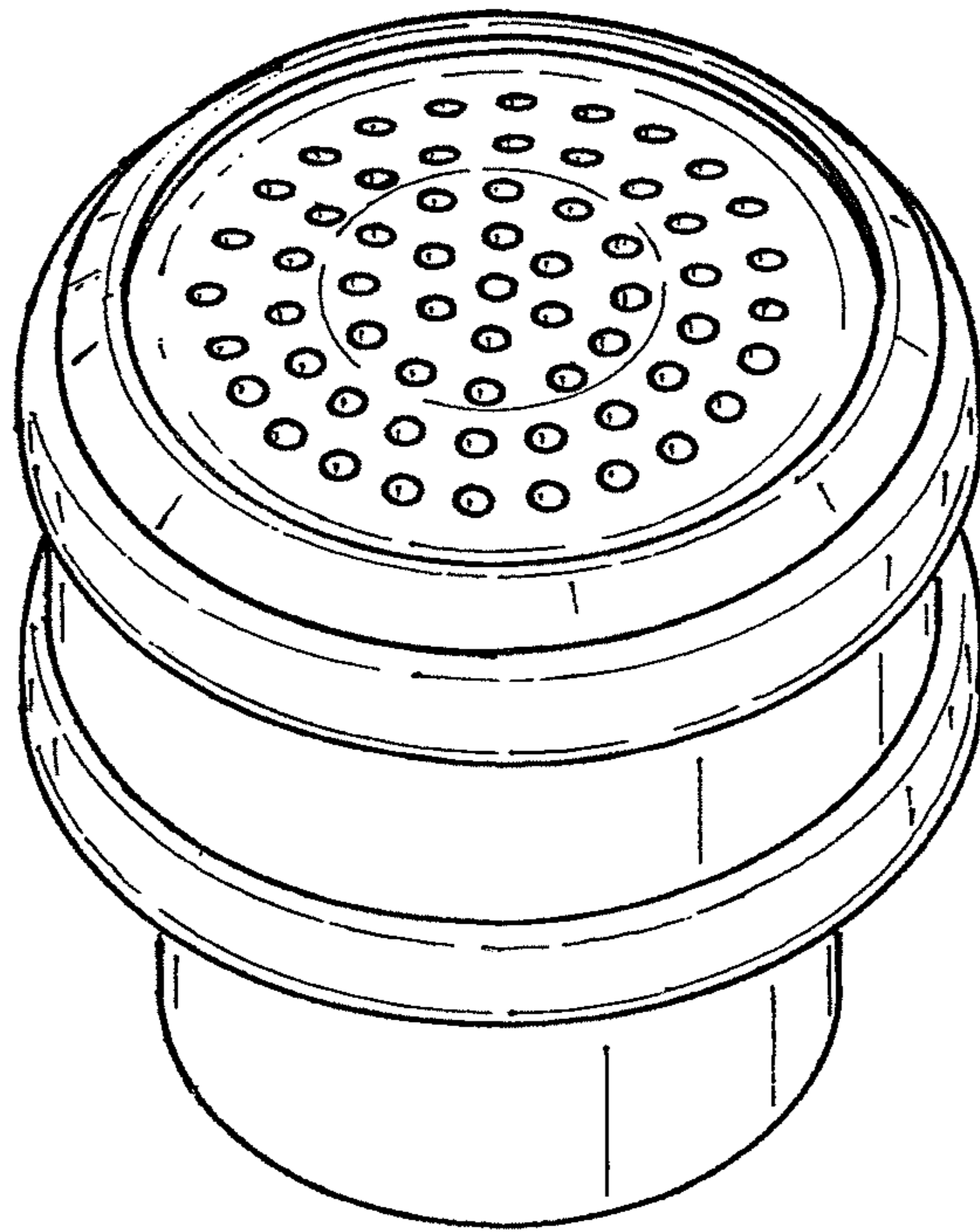


FIG. 4