



US00D705477S

(12) **United States Design Patent**
Chen

(10) **Patent No.:** **US D705,477 S**

(45) **Date of Patent:** **** May 20, 2014**

(54) **SECURITY LIGHT WITH WALL-WASHER LIGHTS**

(71) Applicant: **Chia-Teh Chen**, Taipei (TW)

(72) Inventor: **Chia-Teh Chen**, Taipei (TW)

(**) Term: **14 Years**

(21) Appl. No.: **29/438,747**

(22) Filed: **Dec. 3, 2012**

(51) **LOC (10) Cl.** **26-99**

(52) **U.S. Cl.**
USPC **D26/99**

(58) **Field of Classification Search**

USPC D26/25, 26, 28, 31, 35, 36, 37, 41, 42,
D26/50, 51, 52, 64, 66, 67, 73, 75, 78, 85,
D26/88, 89, 90, 103-106, 109, 110, 119,
D26/123, 125, 129, 131, 135, 136, 138, 140,
D26/143, 144; D13/179, 180; 362/92, 130,
362/132, 133, 183, 184, 190, 205, 216,
362/217.05, 218, 220, 223, 224, 241, 247,
362/249.03, 249.05-249.1, 249.11, 258,
362/260, 285, 287, 294.02, 297, 327, 345,
362/354, 373-379, 410, 418, 419, 510, 516,
362/558, 561; 248/339, 557, 558; D8/354,
D8/373, 377, 382; D25/60, 119, 124, 125;
52/455; 349/59-62, 64-67, 113;
438/15; 345/102; D12/406; D10/111,
D10/114.1; D11/121, 125, 144, 145;
428/11; 257/96, 97, 98, 99

See application file for complete search history.

(56) **References Cited**

U.S. PATENT DOCUMENTS

D338,845 S *	8/1993	Rohrs	D10/106.8
D359,008 S *	6/1995	Sandell et al.	D10/106.8
D374,835 S *	10/1996	Wachter	D10/114.2
D399,022 S *	9/1998	Jensen et al.	D26/142
D493,243 S *	7/2004	Burnet	D26/63
D580,083 S *	11/2008	Sanoner	D26/63

* cited by examiner

Primary Examiner — Zenia Bennett

(74) *Attorney, Agent, or Firm* — Li & Cai Intellectual Property (USA) Office

(57) **CLAIM**

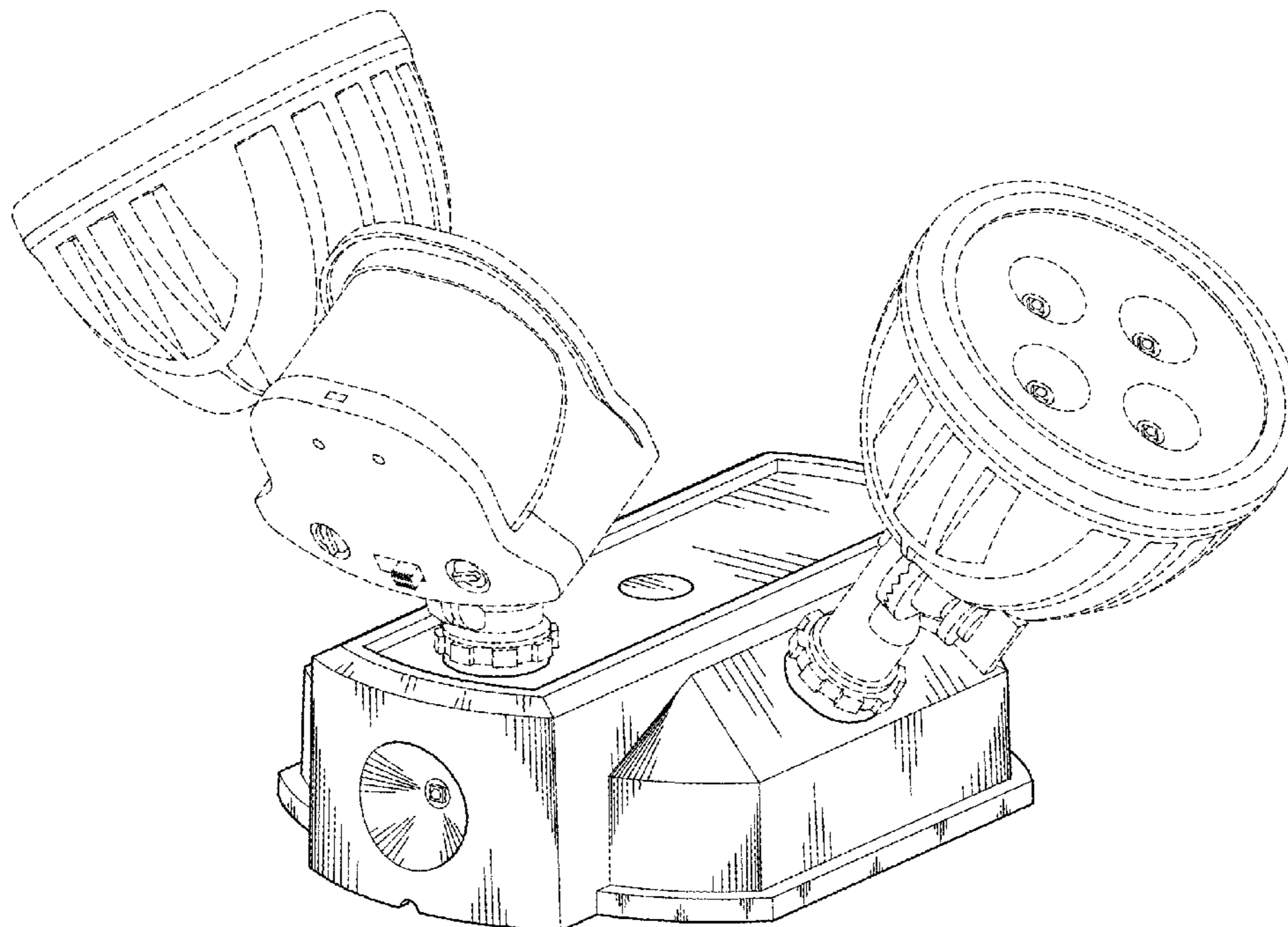
The ornamental design for a “security light with wall-washer lights,” as shown and described.

DESCRIPTION

FIG. 1 is a perspective view of a security light with wall-washer lights showing my new design;
FIG. 2 is a front view thereof;
FIG. 3 is a rear view thereof;
FIG. 4 is a left side view thereof;
FIG. 5 is a right side view thereof;
FIG. 6 is a top view thereof; and,
FIG. 7 is a bottom view thereof.

The broken lines depict portions of the security light with wall-washer lights which form no part of the claimed design.

1 Claim, 6 Drawing Sheets



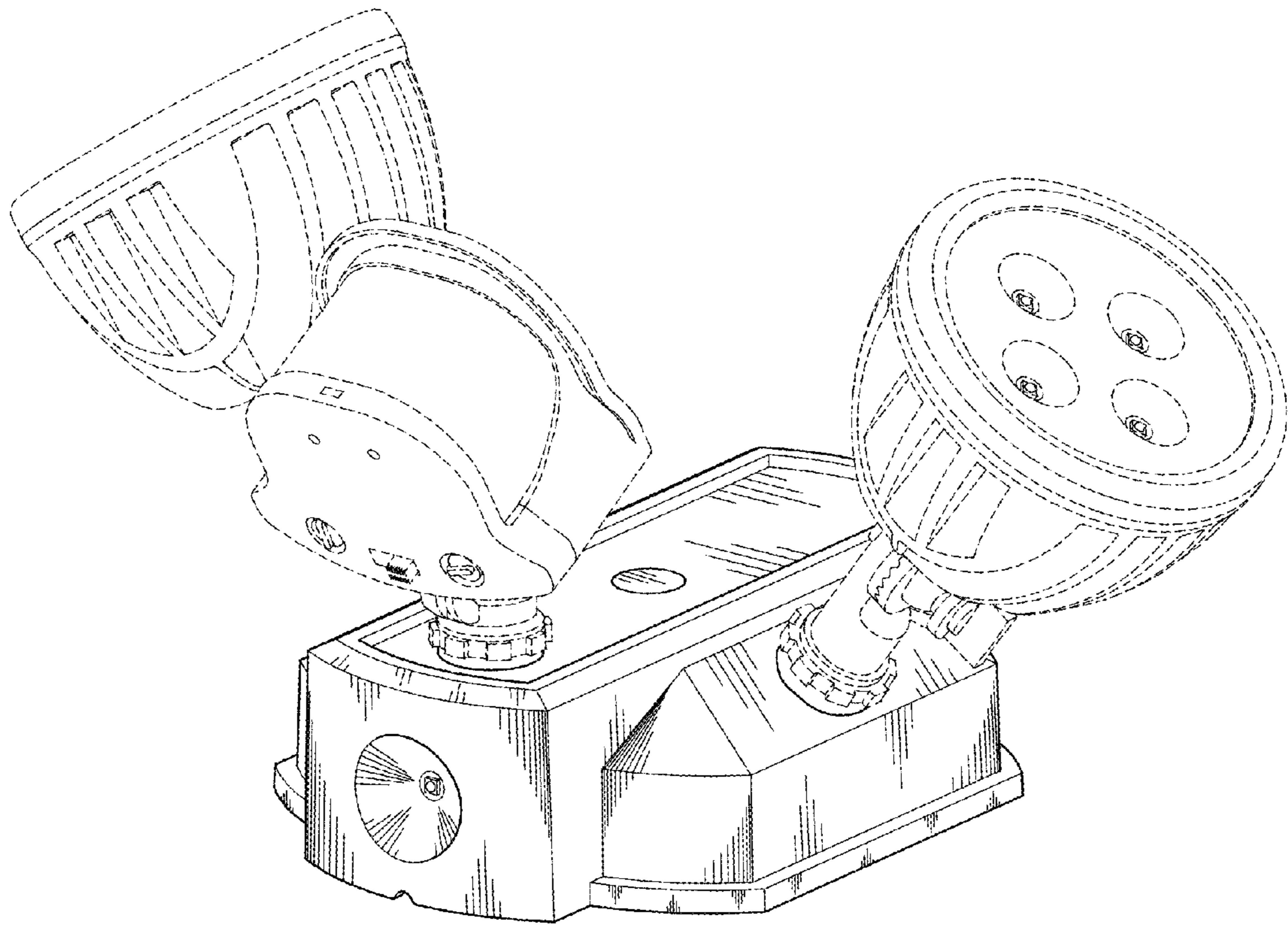


FIG. 1

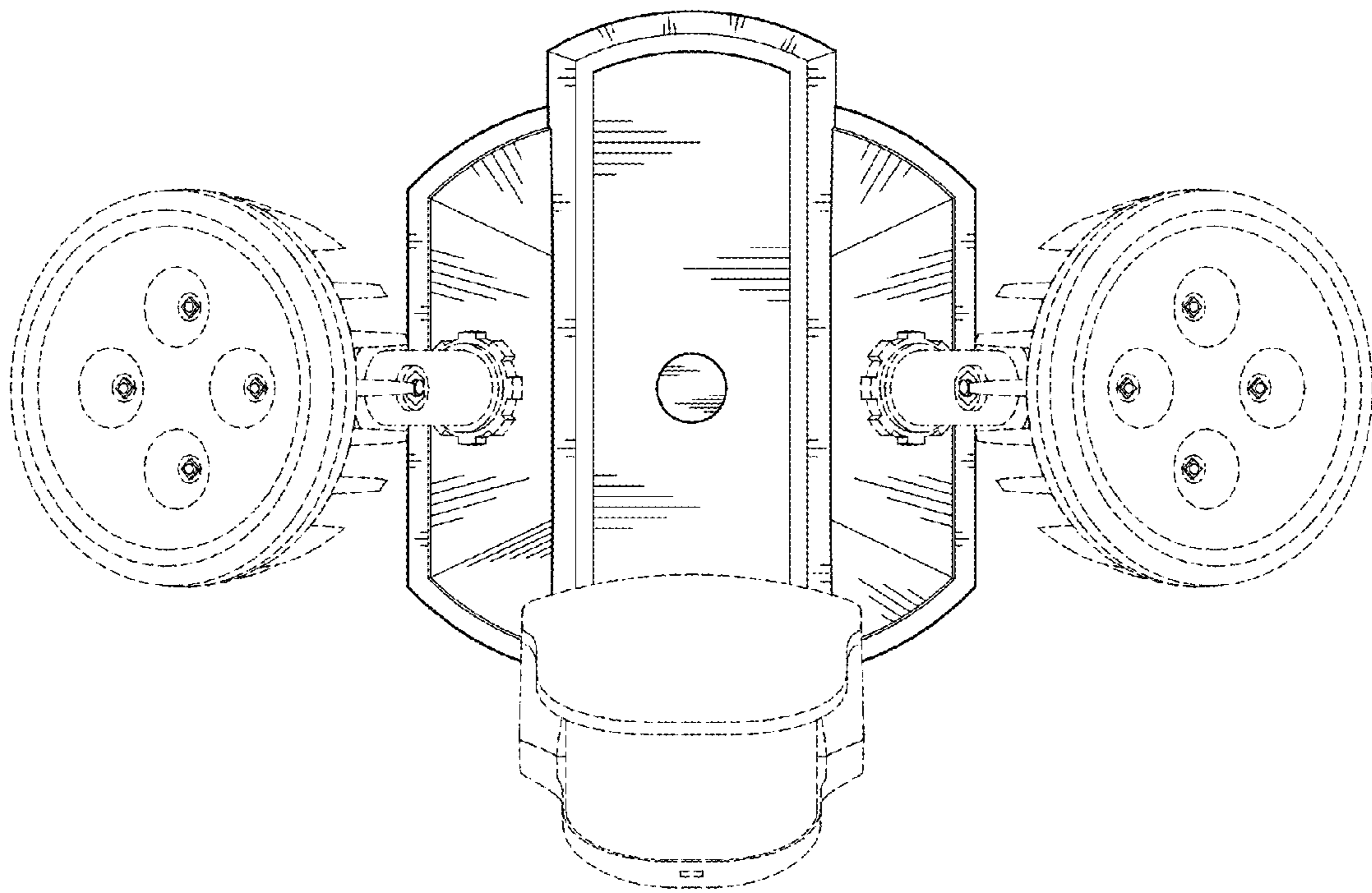


FIG. 2

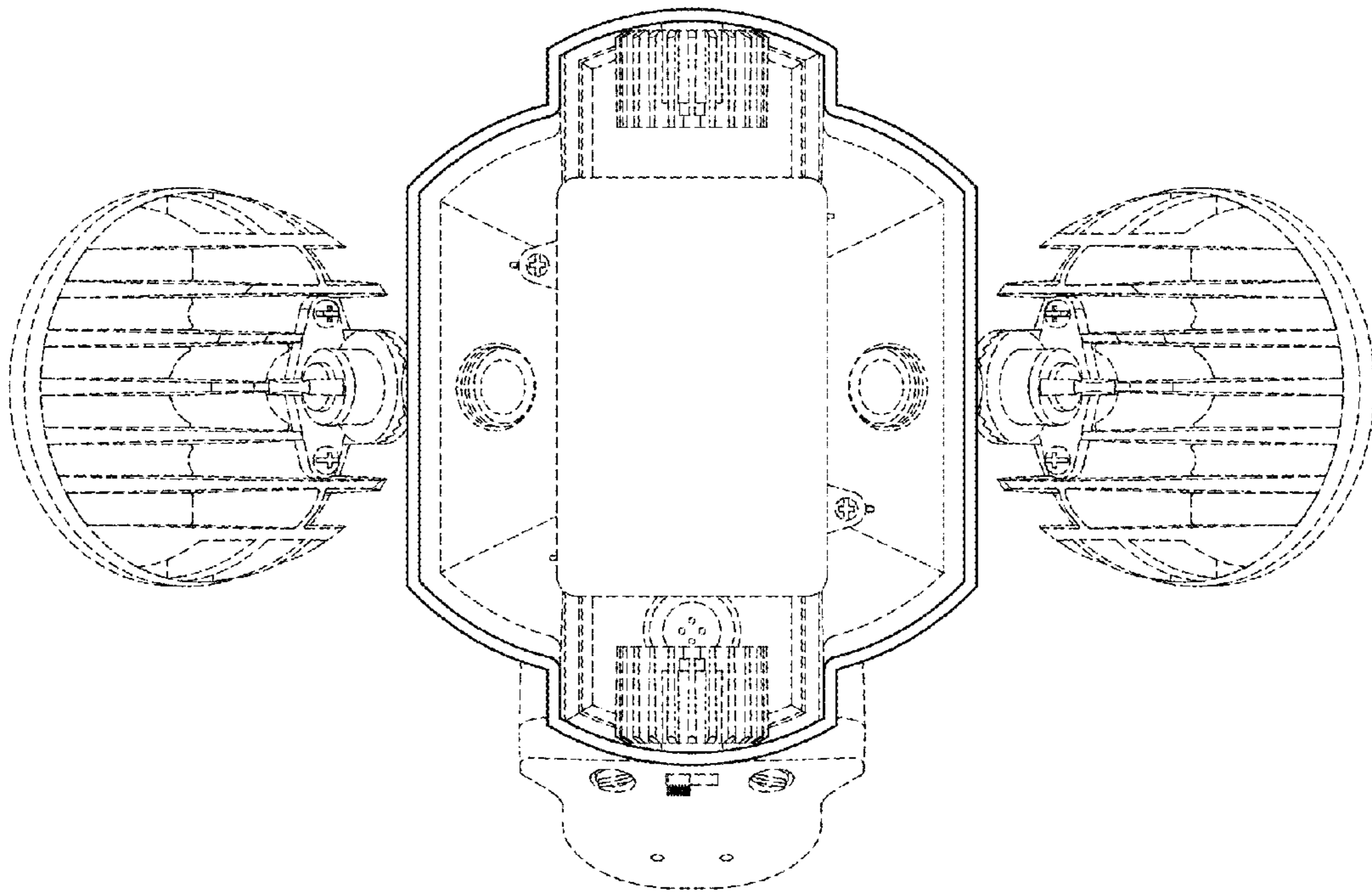


FIG. 3

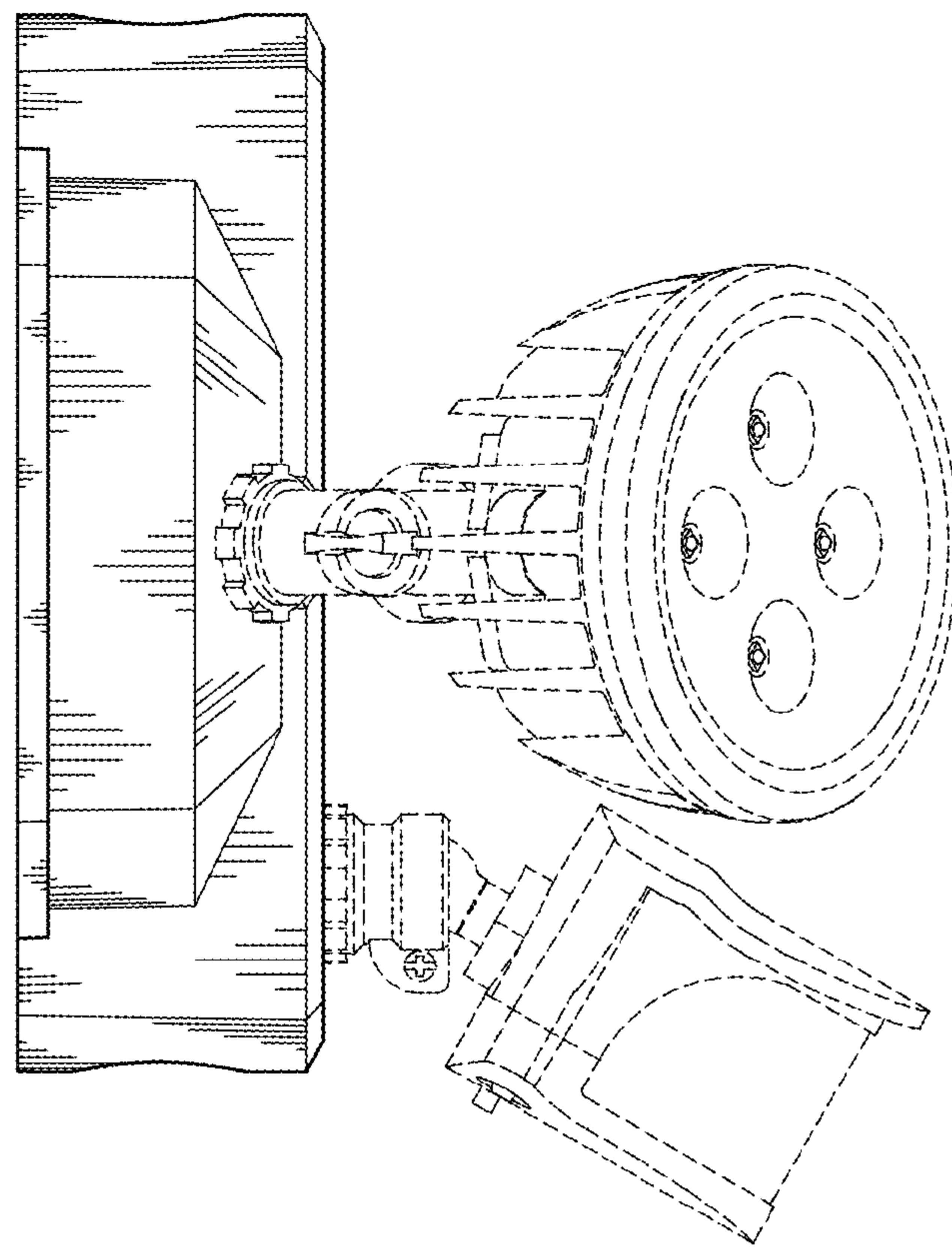


FIG. 4

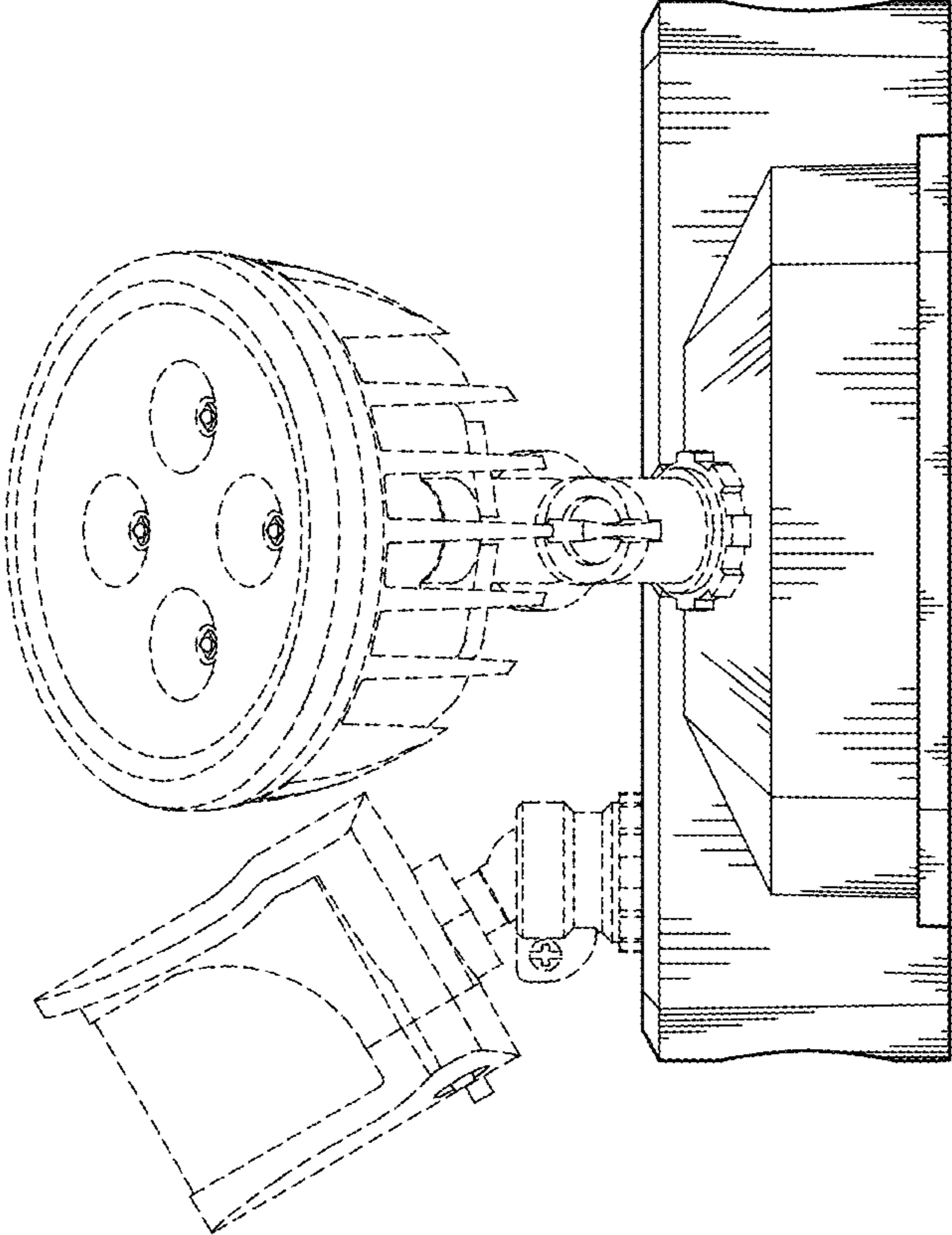


FIG. 5

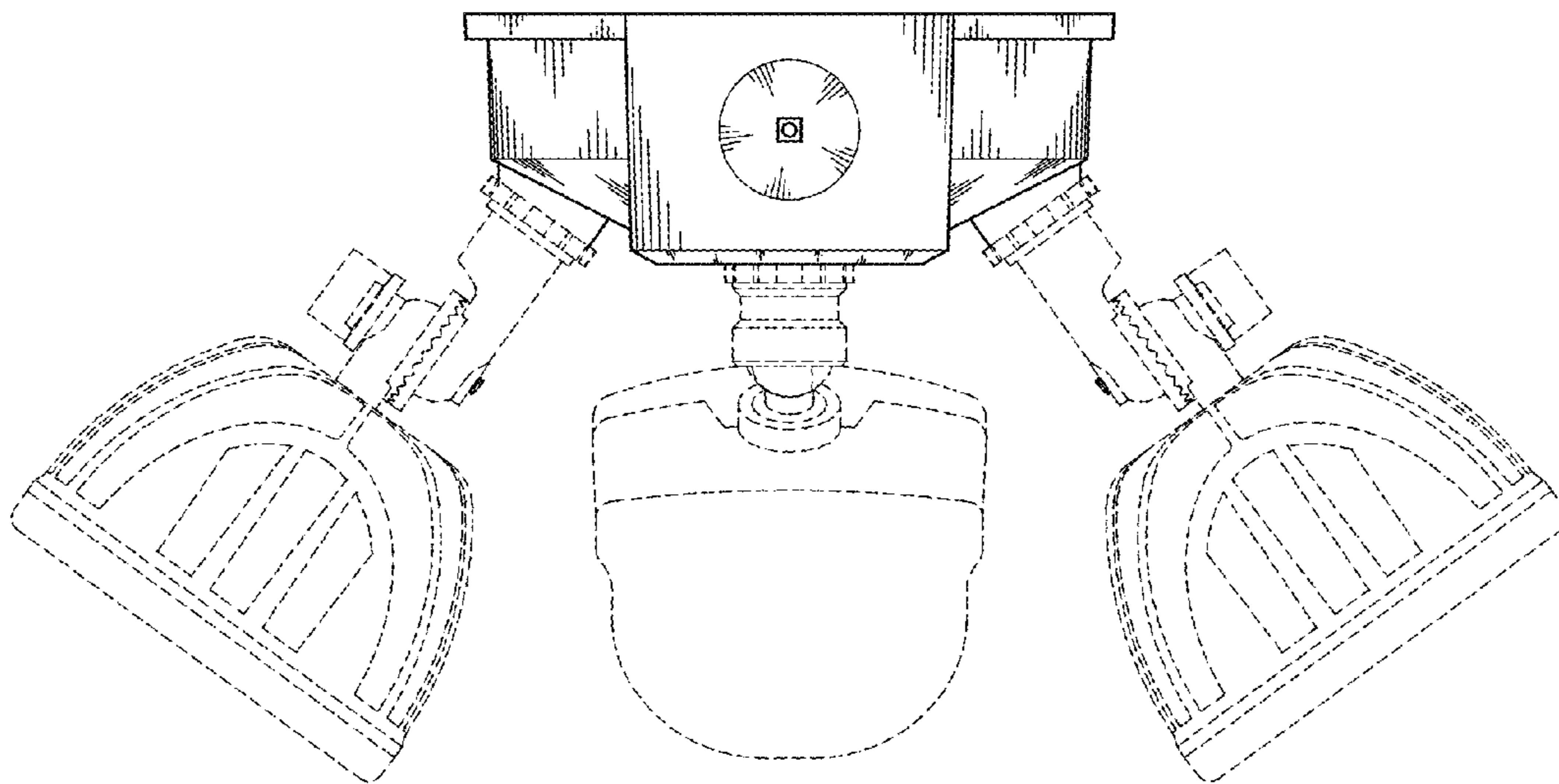


FIG. 6

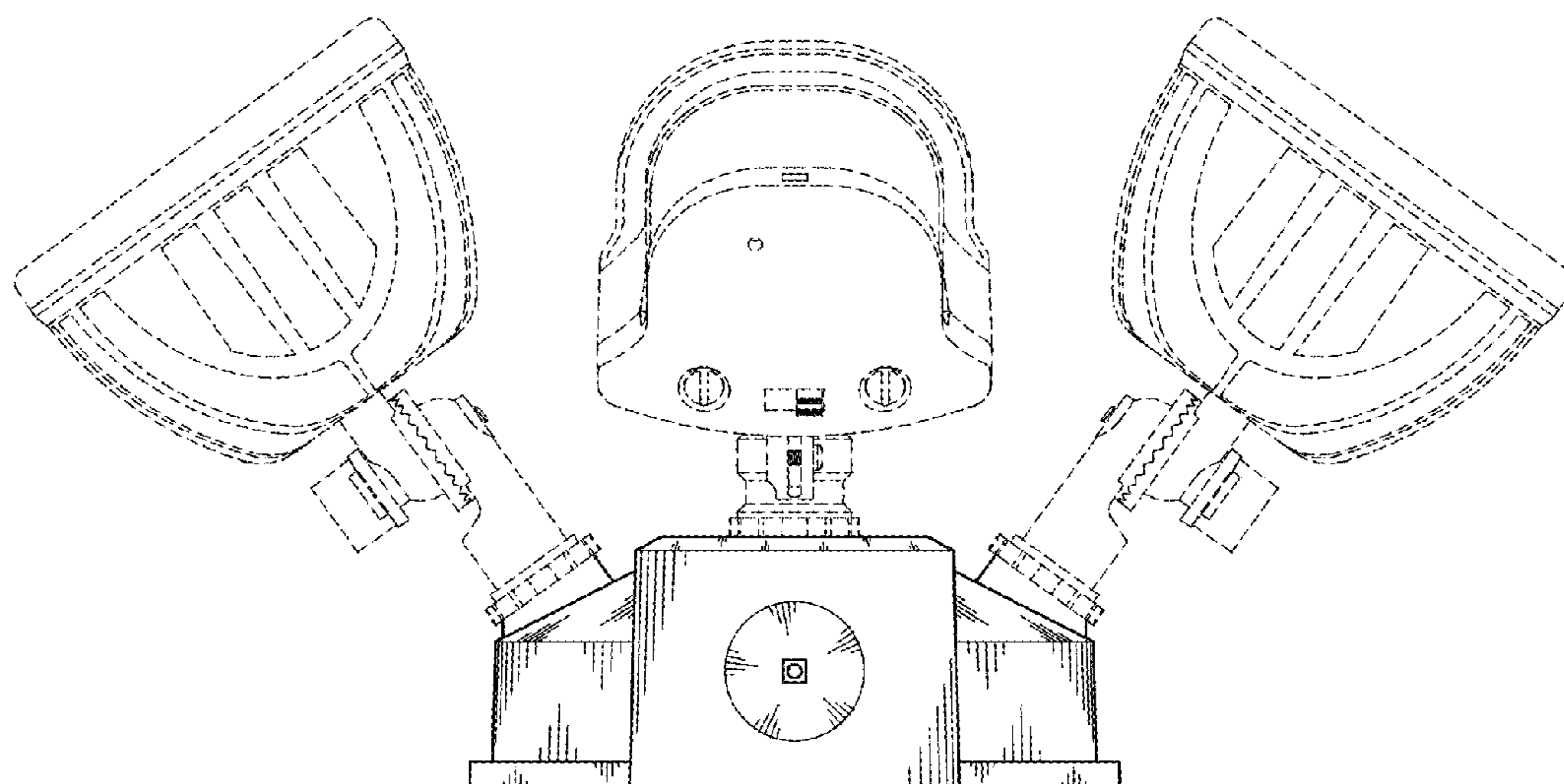


FIG. 7