



US00D705474S

(12) **United States Design Patent**
Philips

(10) **Patent No.:** **US D705,474 S**

(45) **Date of Patent:** **** May 20, 2014**

(54) **LUMINAIRE**

(71) Applicant: **Zumtobel Lighting GmbH**, Dornbirn (AT)

(72) Inventor: **Stephen Philips**, London (GB)

(73) Assignee: **Zumtobel Lighting GmbH**, Dornbirn (AT)

(**) Term: **14 Years**

(21) Appl. No.: **29/452,977**

(22) Filed: **Apr. 24, 2013**

(30) **Foreign Application Priority Data**

Oct. 24, 2012 (EM) 001 348 585

(51) **LOC (10) Cl.** **26-03**

(52) **U.S. Cl.**
USPC **D26/76**

(58) **Field of Classification Search**
USPC D26/72, 75-78, 118, 120, 122;
362/147, 217.01-217.12, 218,
362/221-225, 345
See application file for complete search history.

(56) **References Cited**

U.S. PATENT DOCUMENTS

D120,548 S *	5/1940	Guth	D26/77
D122,145 S *	8/1940	MacCarthy	D26/78
D122,582 S *	9/1940	Biller	D26/76
D155,283 S *	9/1949	Gangbin	D26/76
3,132,813 A *	5/1964	Edmund Let al.	362/224
3,209,142 A *	9/1965	Michel et al.	362/218
D284,110 S *	6/1986	Mullins	D26/76
4,674,016 A *	6/1987	Gallagher	362/240
D329,919 S *	9/1992	Jahn	D26/77
5,479,327 A *	12/1995	Chen	362/225

D374,301 S *	10/1996	Kleffman	D26/76
D387,461 S *	12/1997	Schadt	D26/75
6,092,913 A *	7/2000	Edwards, Jr.	362/147
D544,634 S *	6/2007	Mayfield et al.	D26/118
D544,992 S *	6/2007	Mayfield et al.	D26/118
D544,993 S *	6/2007	Mayfield et al.	D26/118
D545,993 S *	7/2007	Mayfield et al.	D26/118
D561,931 S *	2/2008	Hukle et al.	D26/120
D602,625 S *	10/2009	Santoro	D26/76
D604,000 S *	11/2009	Fowler et al.	D26/76
2007/0211457 A1 *	9/2007	Mayfield et al.	362/223
2010/0315813 A1 *	12/2010	Fugerer et al.	362/235

* cited by examiner

Primary Examiner — Clare E Heflin

(74) *Attorney, Agent, or Firm* — Marshall, Gerstein & Borun LLP

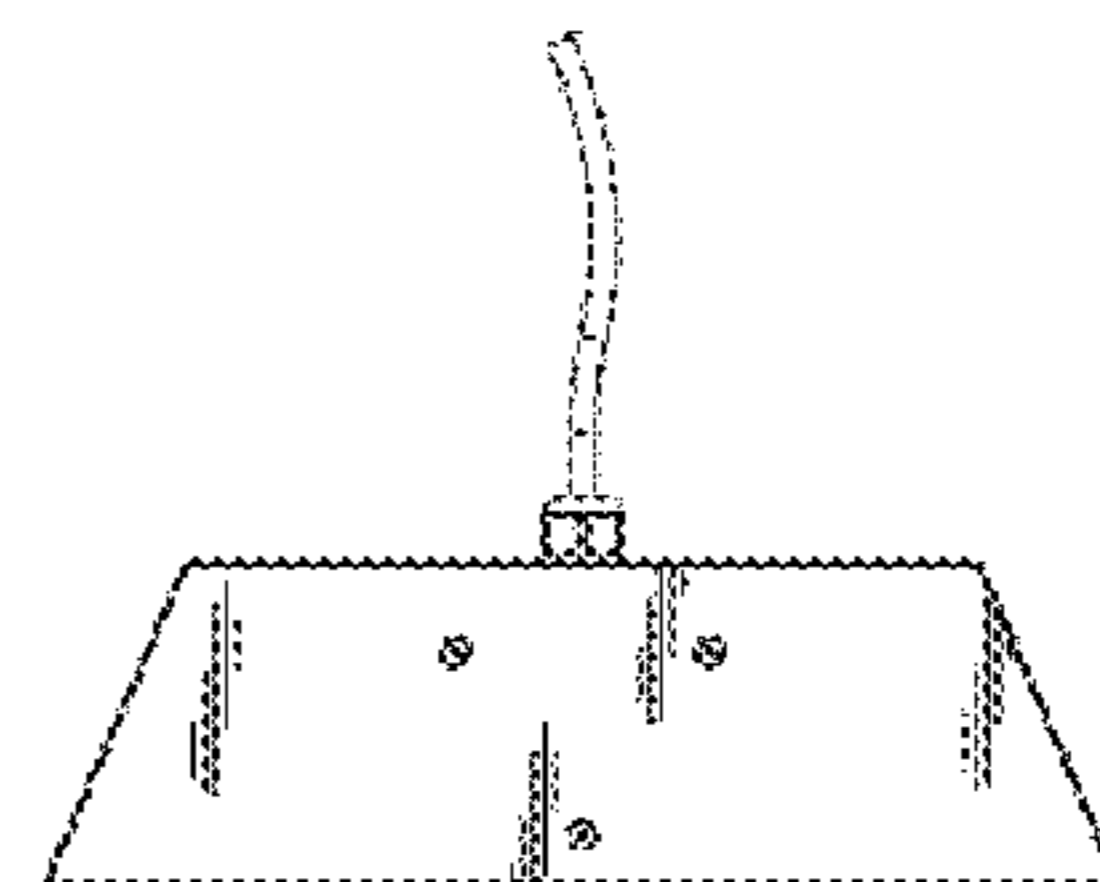
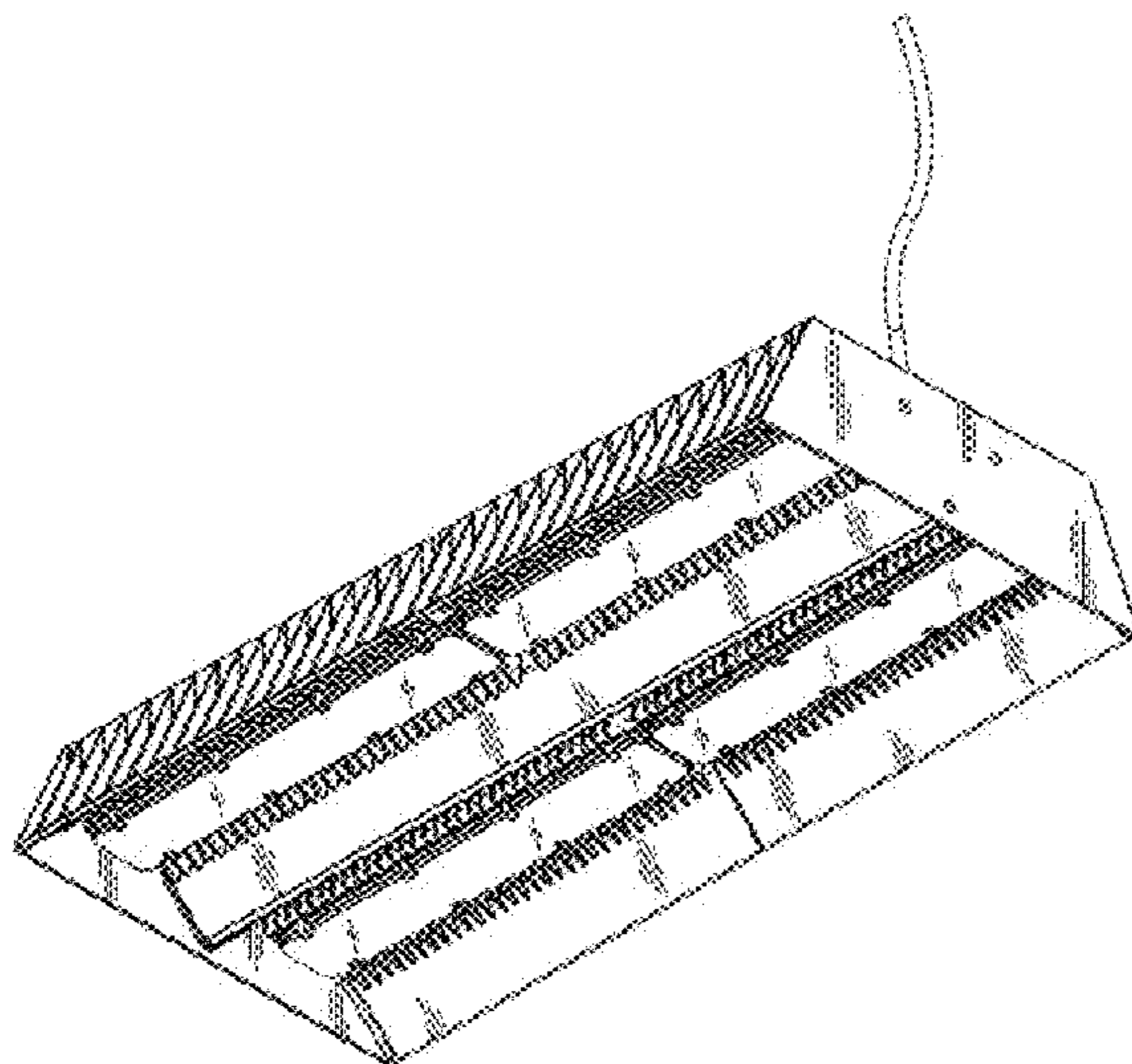
(57) **CLAIM**

The ornamental design for a luminaire, as shown and described.

DESCRIPTION

FIG. 1 is a front, side, and bottom isometric view of a luminaire that has the design.
 FIG. 2 is a right side elevation view of the luminaire.
 FIG. 3 is a left side elevation view of the luminaire.
 FIG. 4 is a front elevation view of the luminaire.
 FIG. 5 is a rear elevation view of the luminaire.
 FIG. 6 is a top plan view of the luminaire.
 FIG. 7 is a bottom plan view of the luminaire.
 FIG. 8 is a front, side, and bottom isometric view of a second luminaire that has the design.
 FIG. 9 is a right side elevation view of the luminaire.
 FIG. 10 is a left side elevation view of the luminaire.
 FIG. 11 is a front elevation view of the luminaire.
 FIG. 12 is a rear elevation view of the luminaire.
 FIG. 13 is a top plan view of the luminaire; and,
 FIG. 14 is a bottom plan view of the luminaire.

1 Claim, 6 Drawing Sheets



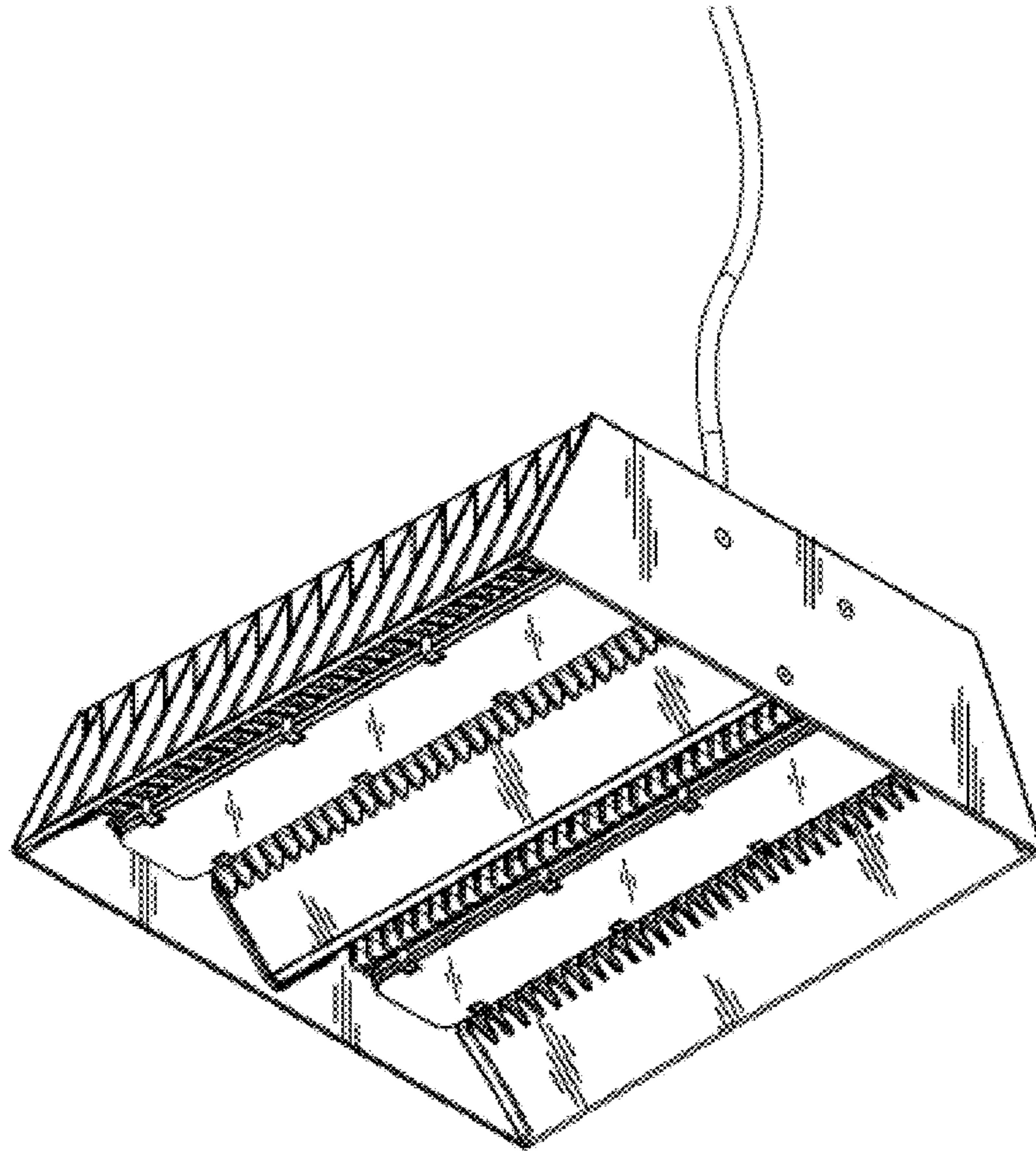


Fig. 1

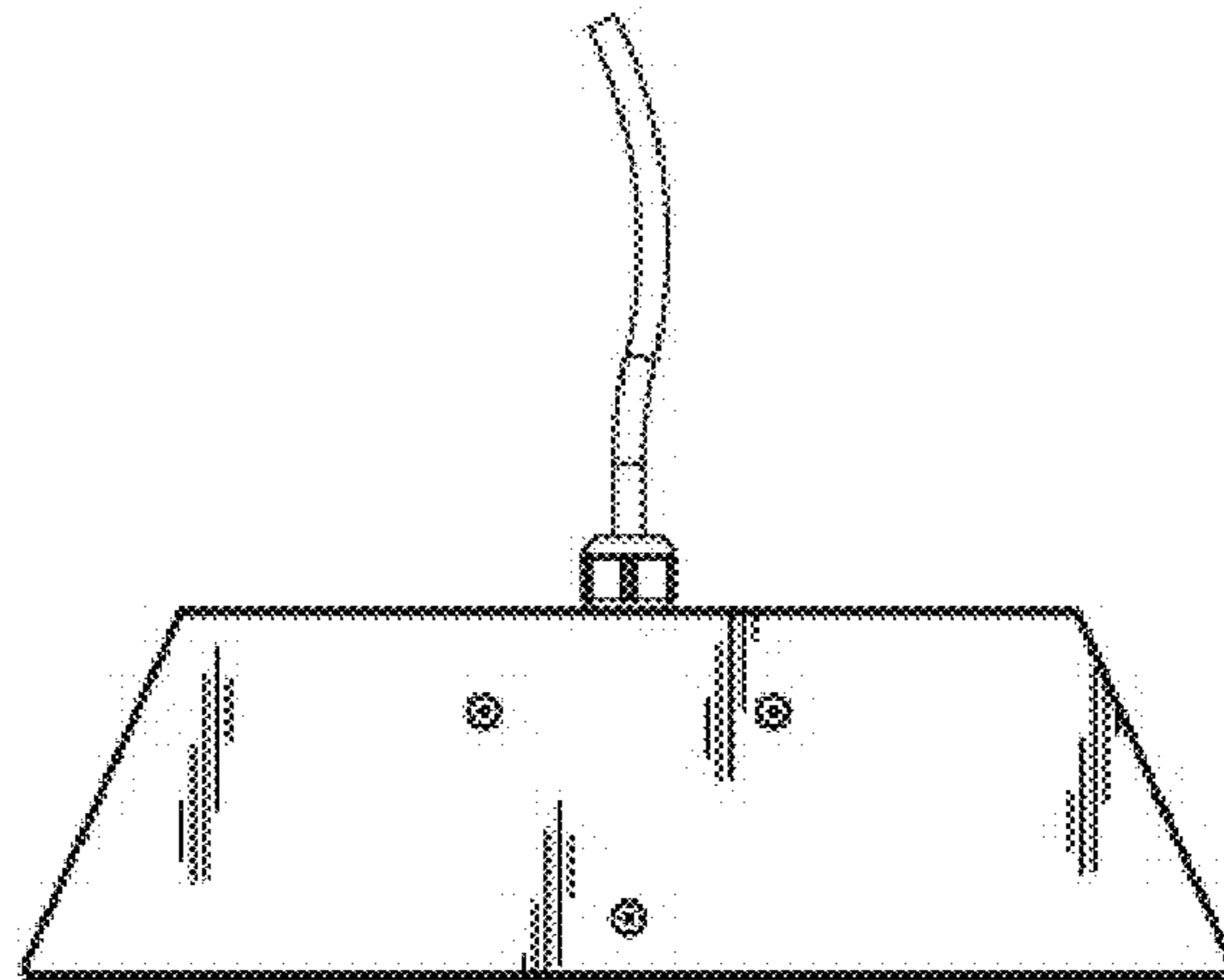


Fig. 2

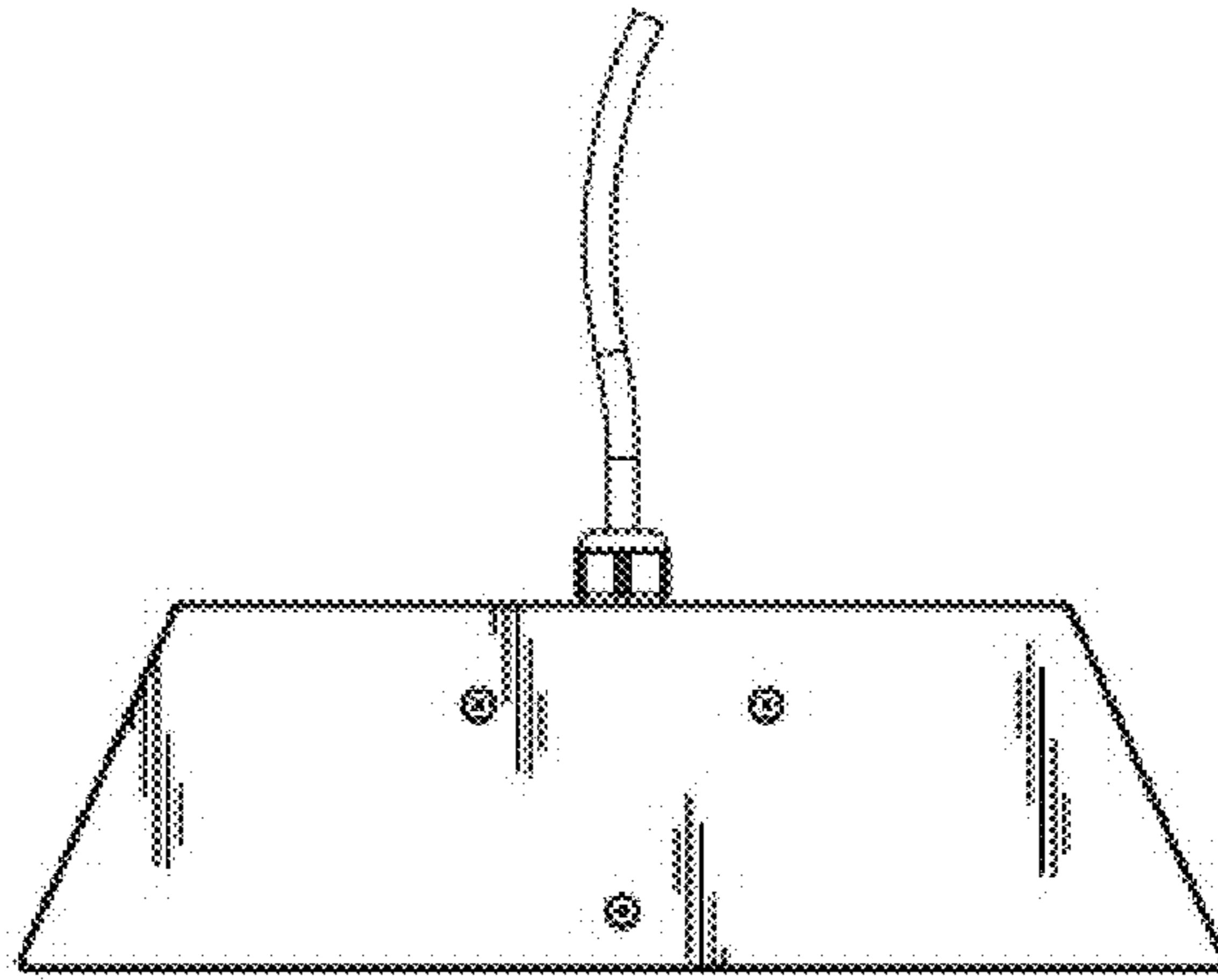


Fig. 3

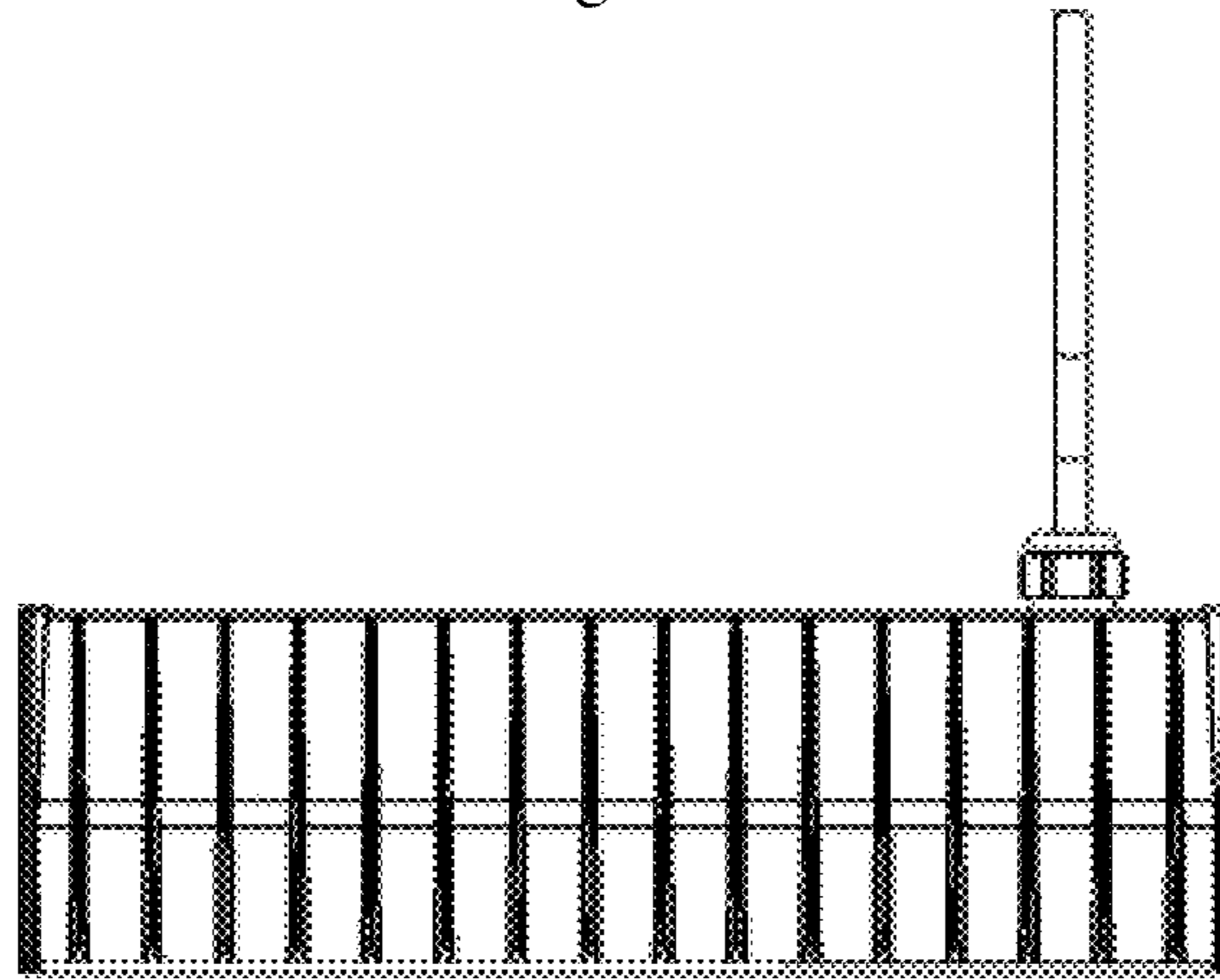


Fig. 4

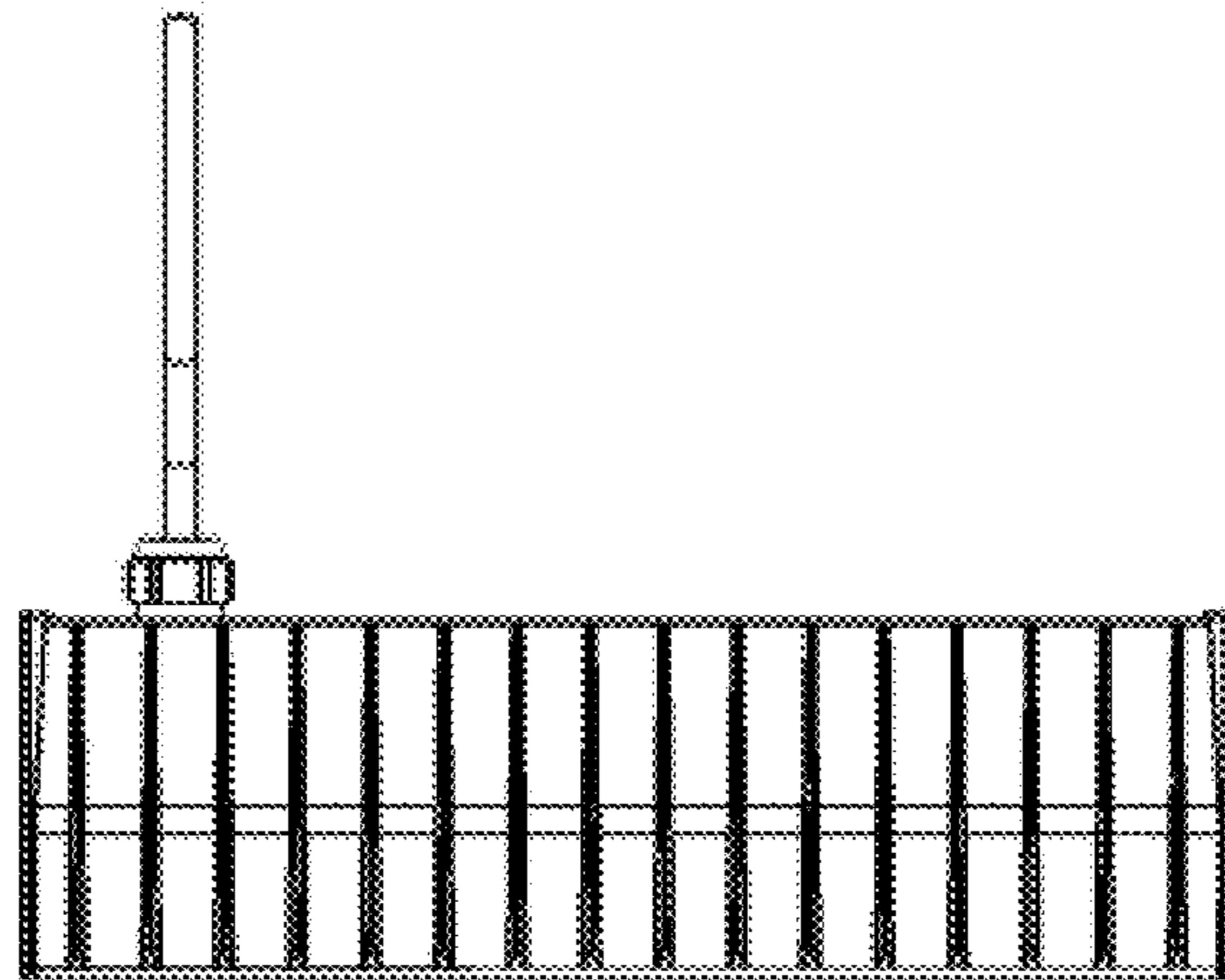


Fig. 5

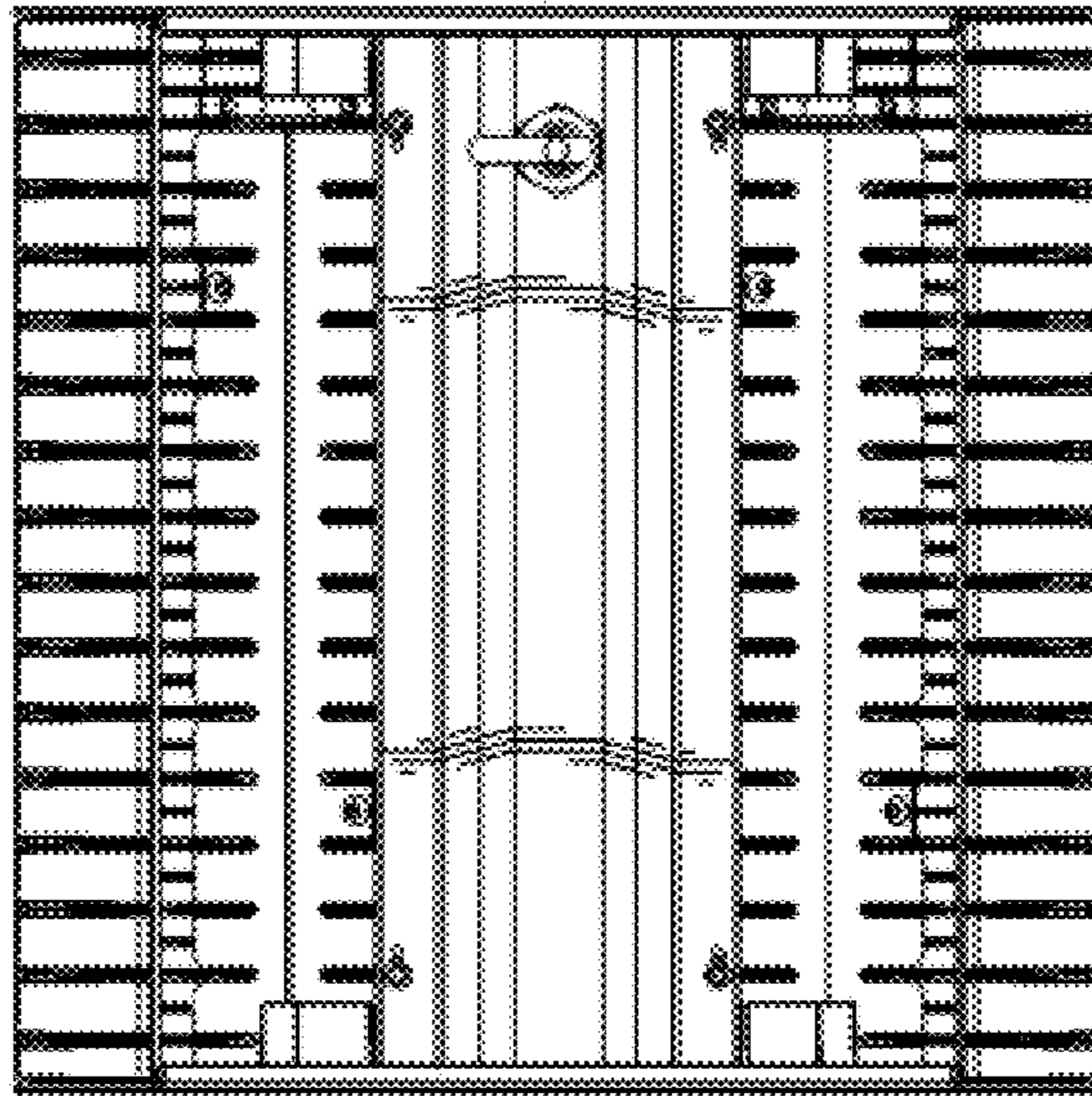


Fig. 6

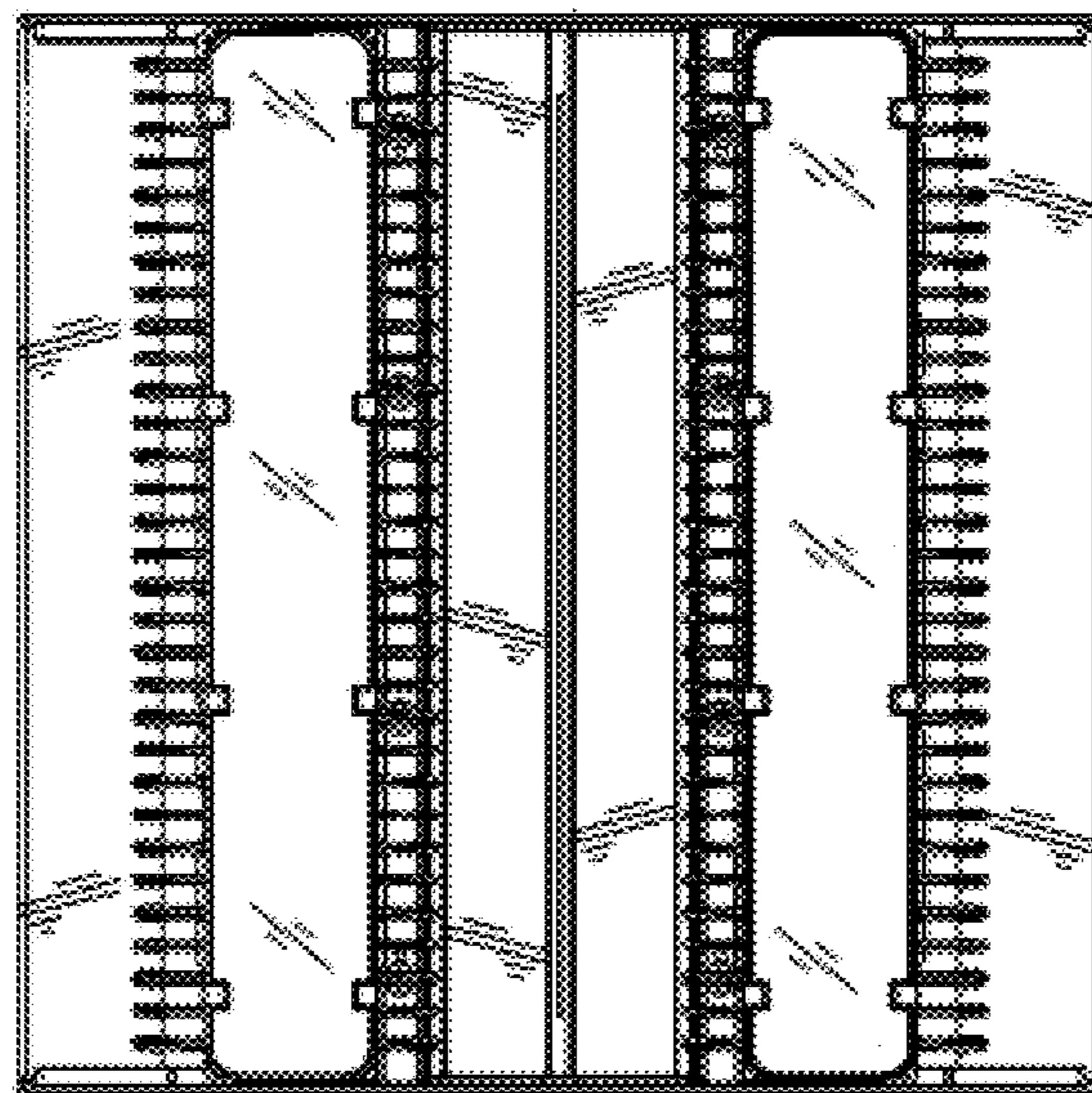


Fig. 7

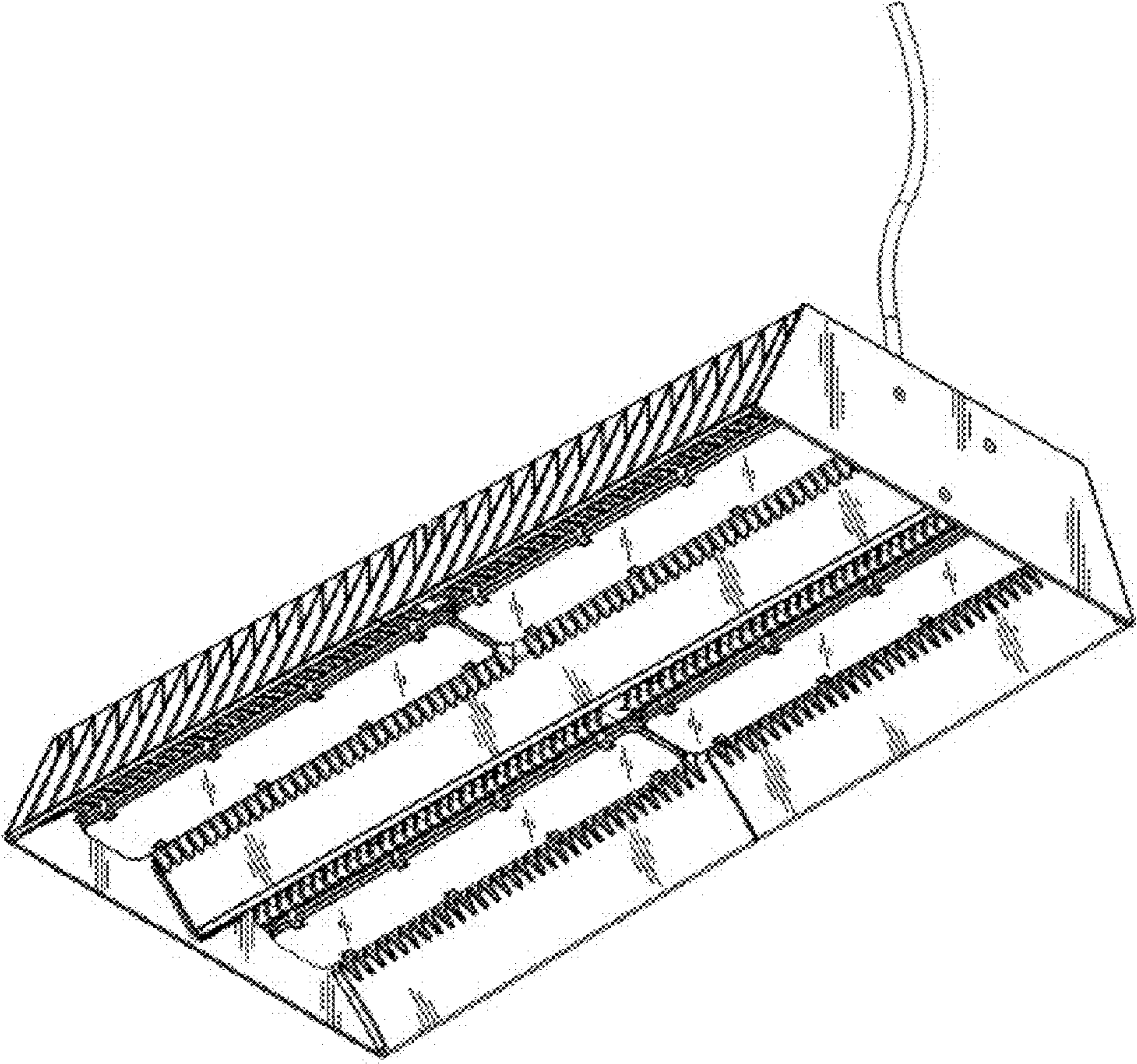


Fig. 8

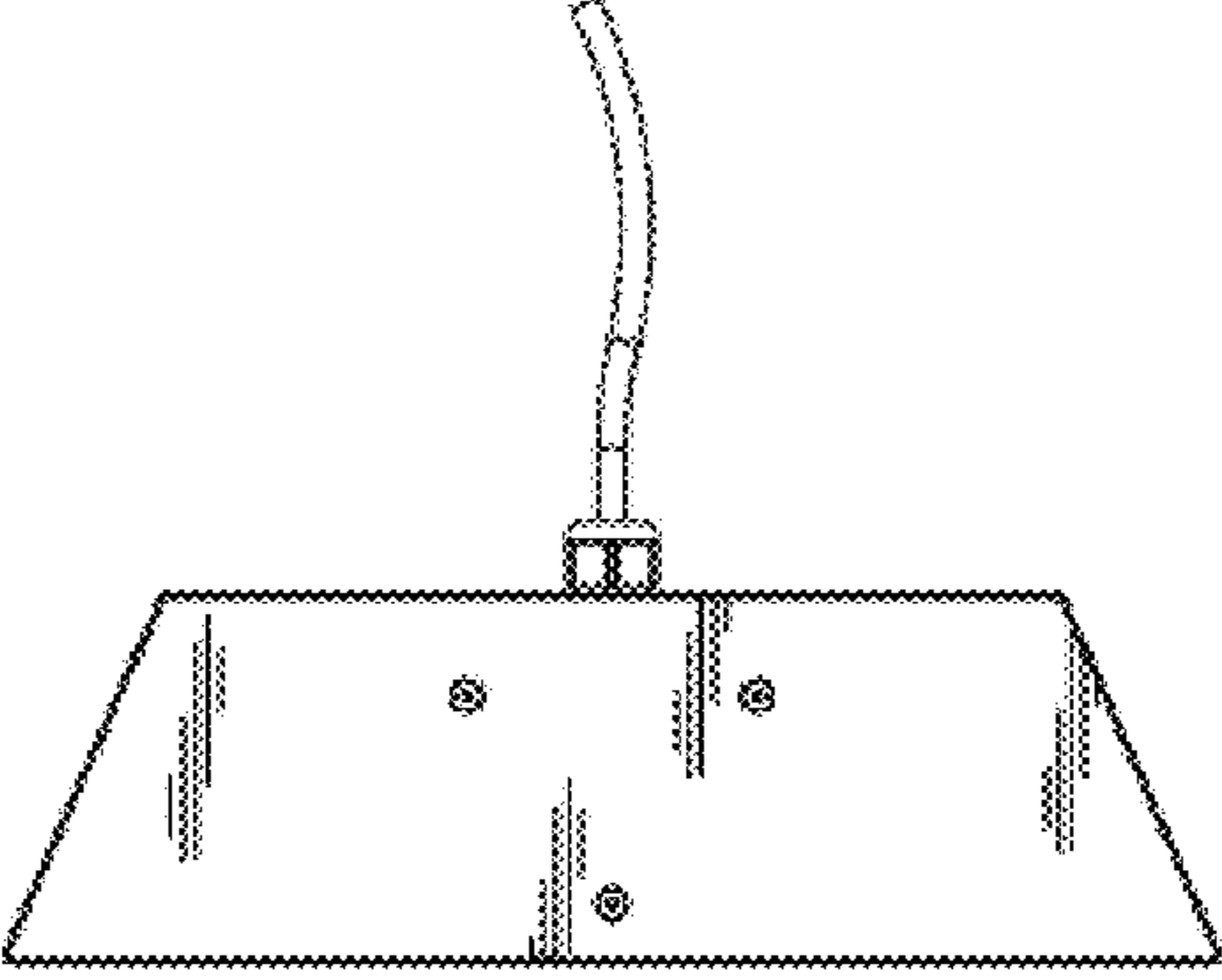


Fig. 9

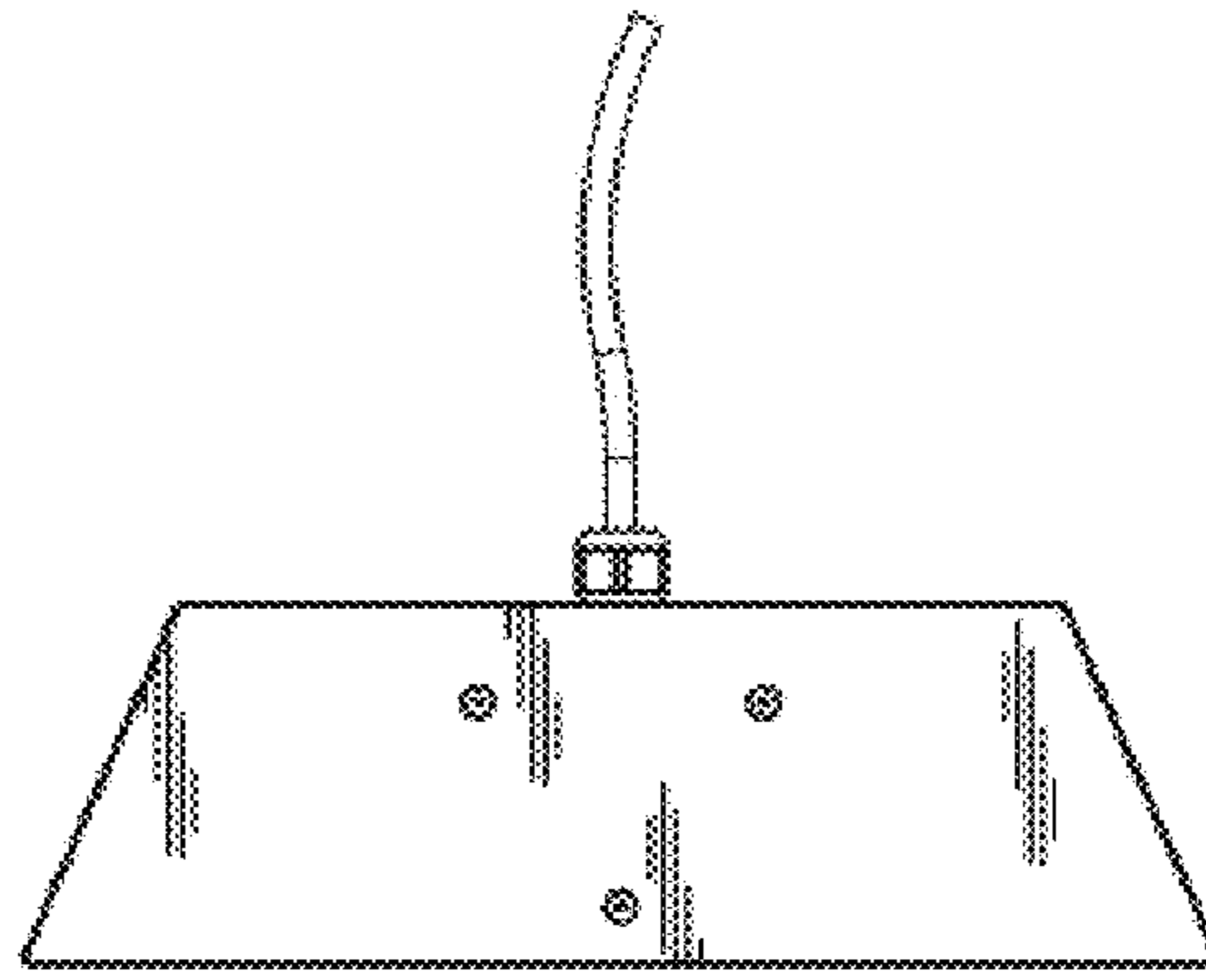


Fig. 10

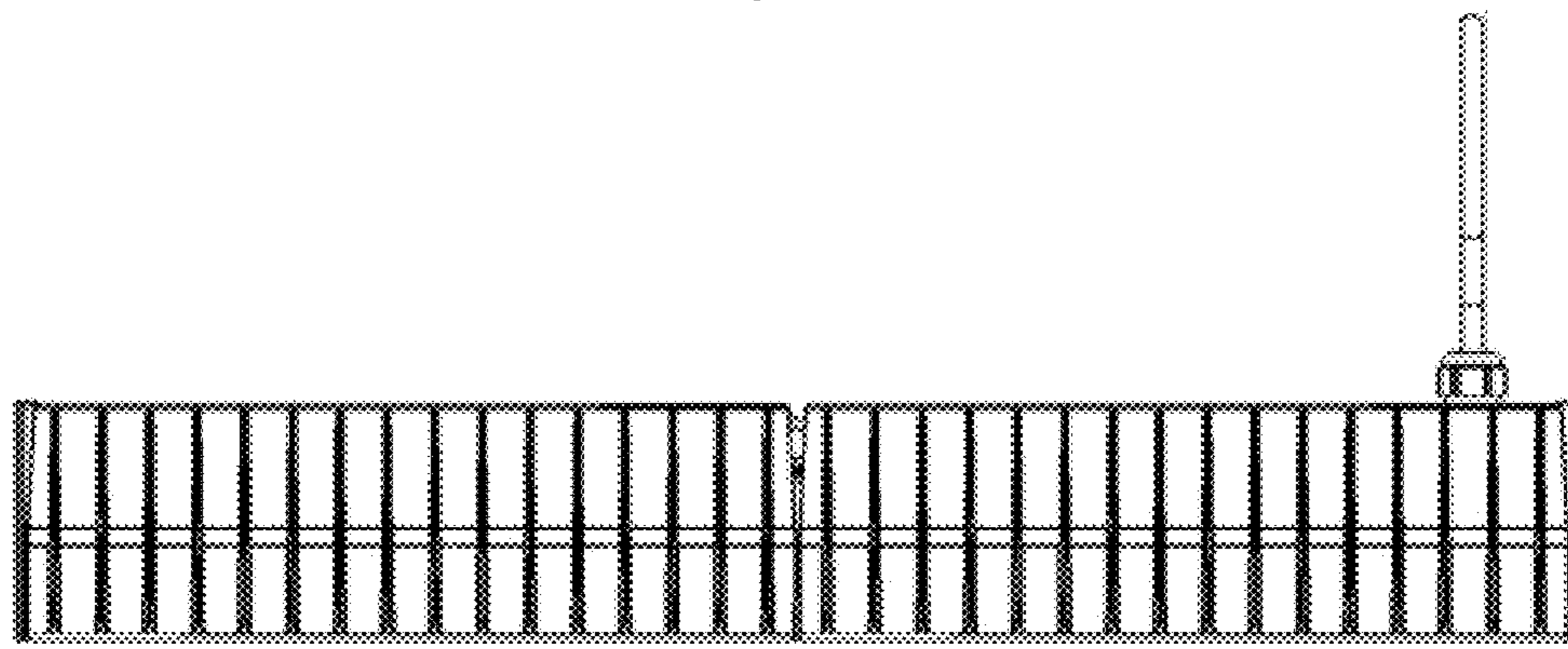


Fig. 11

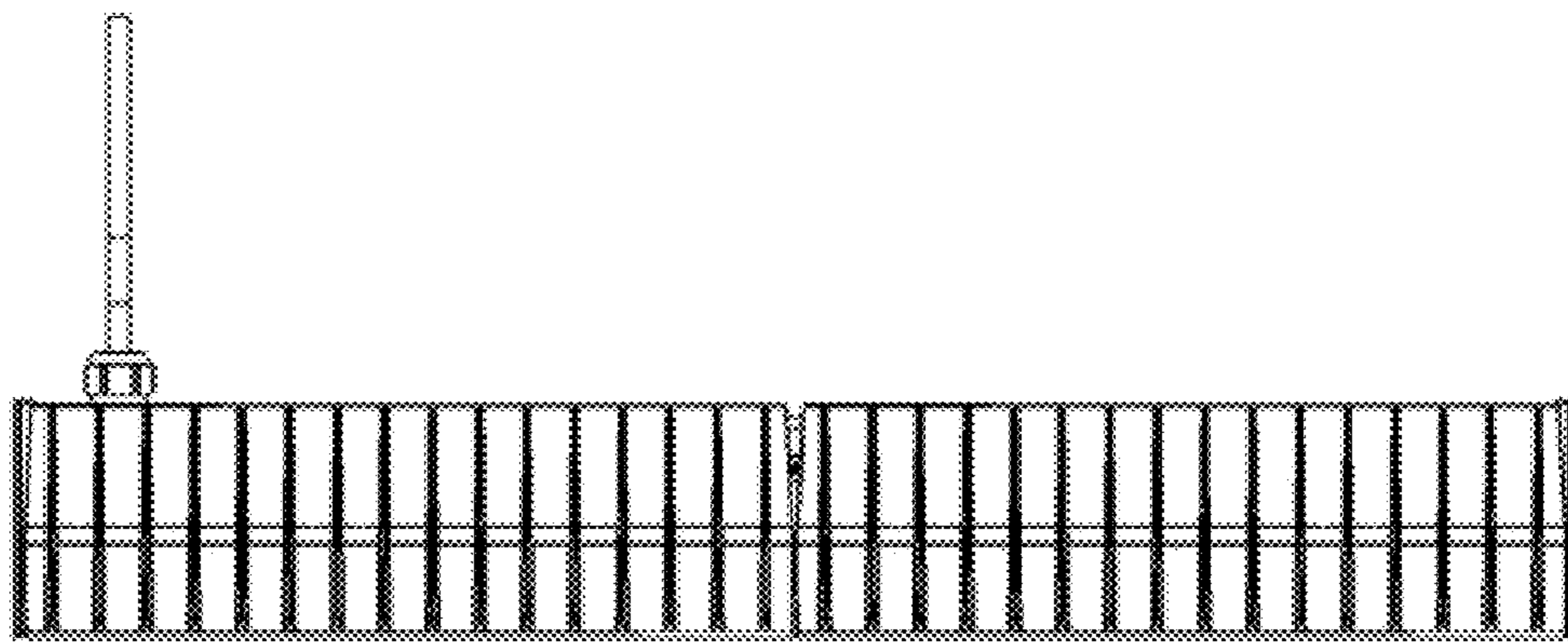


Fig. 12

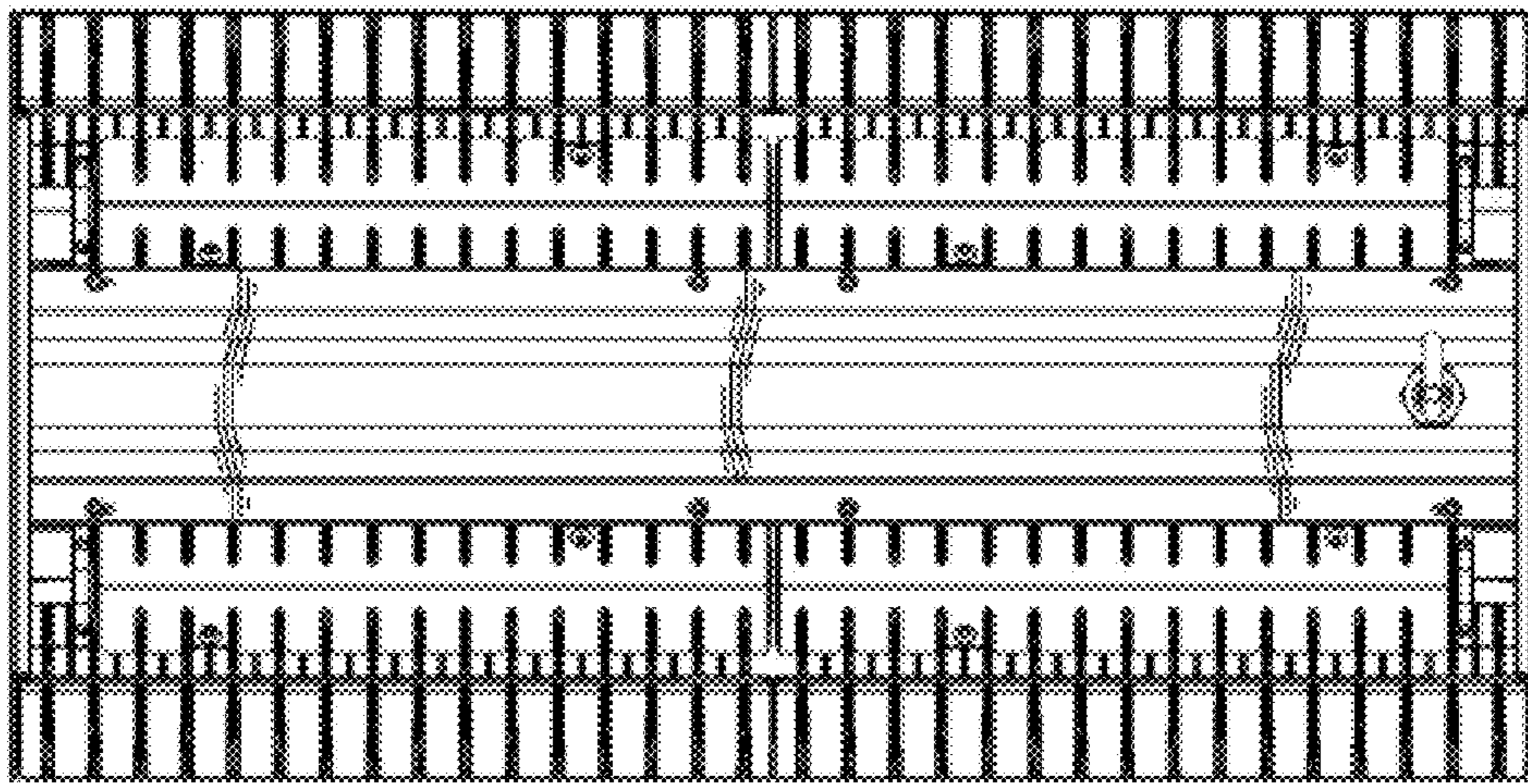


Fig. 13

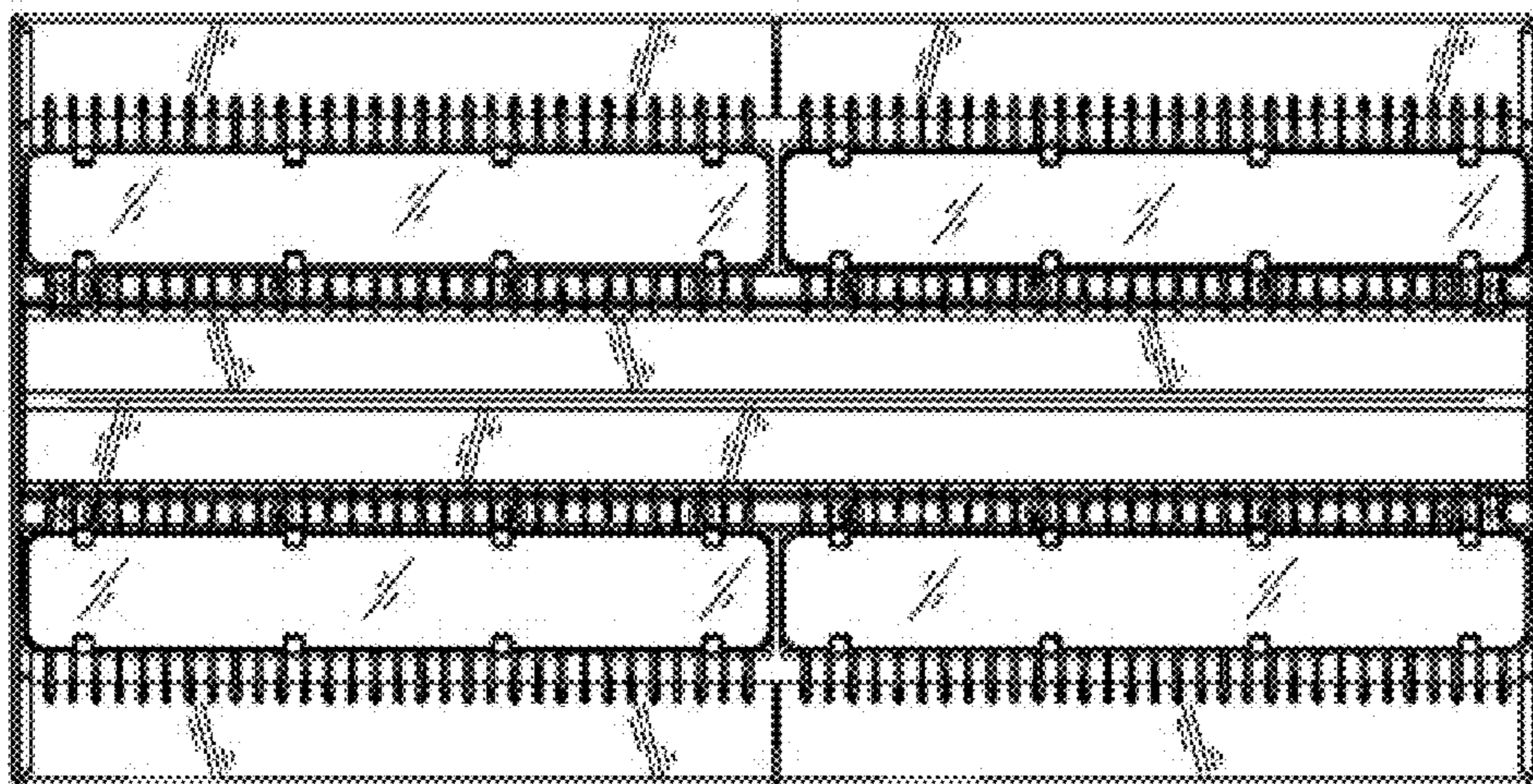


Fig. 14