



US00D705473S

(12) **United States Design Patent**
Messisaen

(10) **Patent No.:** **US D705,473 S**

(45) **Date of Patent:** **** May 20, 2014**

(54) **CEILING SPOT**

(56) **References Cited**

(71) Applicant: **Koninklijke Philips Electronics N.V.**,
Eindhoven (NL)

U.S. PATENT DOCUMENTS

(72) Inventor: **Lieven Messisaen**, Brugge (BE)

D383,564 S *	9/1997	Lecluze	D26/118
D473,966 S *	4/2003	Lecluze	D26/74
D488,583 S *	4/2004	Benghozi	D26/118
D509,016 S *	8/2005	Benghozi	D26/74
D548,390 S *	8/2007	Lecluze	D26/138
D622,434 S *	8/2010	Ward et al.	D26/74
D633,231 S *	2/2011	Morrison	D26/24
D639,993 S *	6/2011	Mier-Langner et al.	D26/74
D643,562 S *	8/2011	Mier-Langner et al.	D26/74
D658,327 S *	4/2012	Meise et al.	D26/74
D663,465 S *	7/2012	Couvreur et al.	D26/72
D667,985 S *	9/2012	Gielen	D26/89
D671,668 S *	11/2012	Rowlette et al.	D26/74
2013/0039072 A1 *	2/2013	Kim et al.	362/294

(73) Assignee: **Koninklijke Philips N.V.**, Eindhoven
(NL)

(**) Term: **14 Years**

(21) Appl. No.: **29/452,575**

(22) Filed: **Apr. 18, 2013**

* cited by examiner

(30) **Foreign Application Priority Data**

Primary Examiner — Angela J Lee

Oct. 18, 2012 (EM) 002120691-0003

(51) **LOC (10) Cl.** **26-05**

(57) **CLAIM**

The ornamental design for a ceiling spot, as shown and described.

(52) **U.S. Cl.**

DESCRIPTION

USPC **D26/74**

(58) **Field of Classification Search**

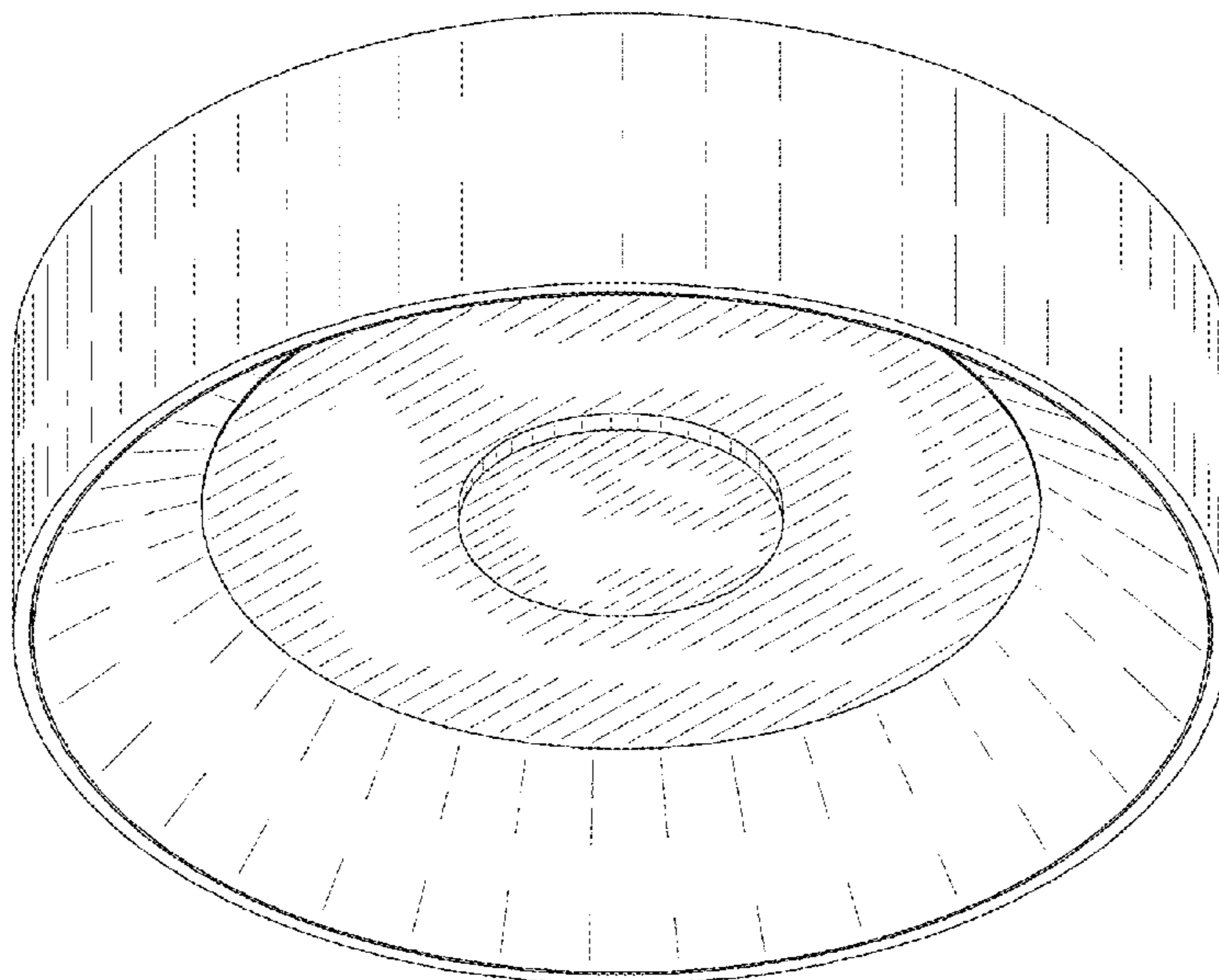
USPC D26/74, 113, 118, 119, 120, 122, 138,
D26/141, 24, 58, 59, 67, 72, 75, 76, 77, 78,
D26/79, 80, 81, 82, 83, 84, 85, 86, 88, 89,
D26/90, 91, 93, 105; 362/364, 365, 366,
362/145, 146, 147, 148, 150, 151, 152, 153,
362/153.1, 217.06, 217.07, 219, 294,
362/296.01, 311.07, 311.09

FIG. 1 is a perspective view showing my design;
FIG. 2 is a front elevational view thereof;
FIG. 3 is a rear elevational view thereof;
FIG. 4 is a right side elevational view thereof;
FIG. 5 is a left side elevational view thereof;
FIG. 6 is a top plan view thereof; and,
FIG. 7 is a bottom plan view thereof.

The broken lines shown are included for the purpose of illustrating the unclaimed portions of the ceiling spot and form no part of the claim.

See application file for complete search history.

1 Claim, 4 Drawing Sheets



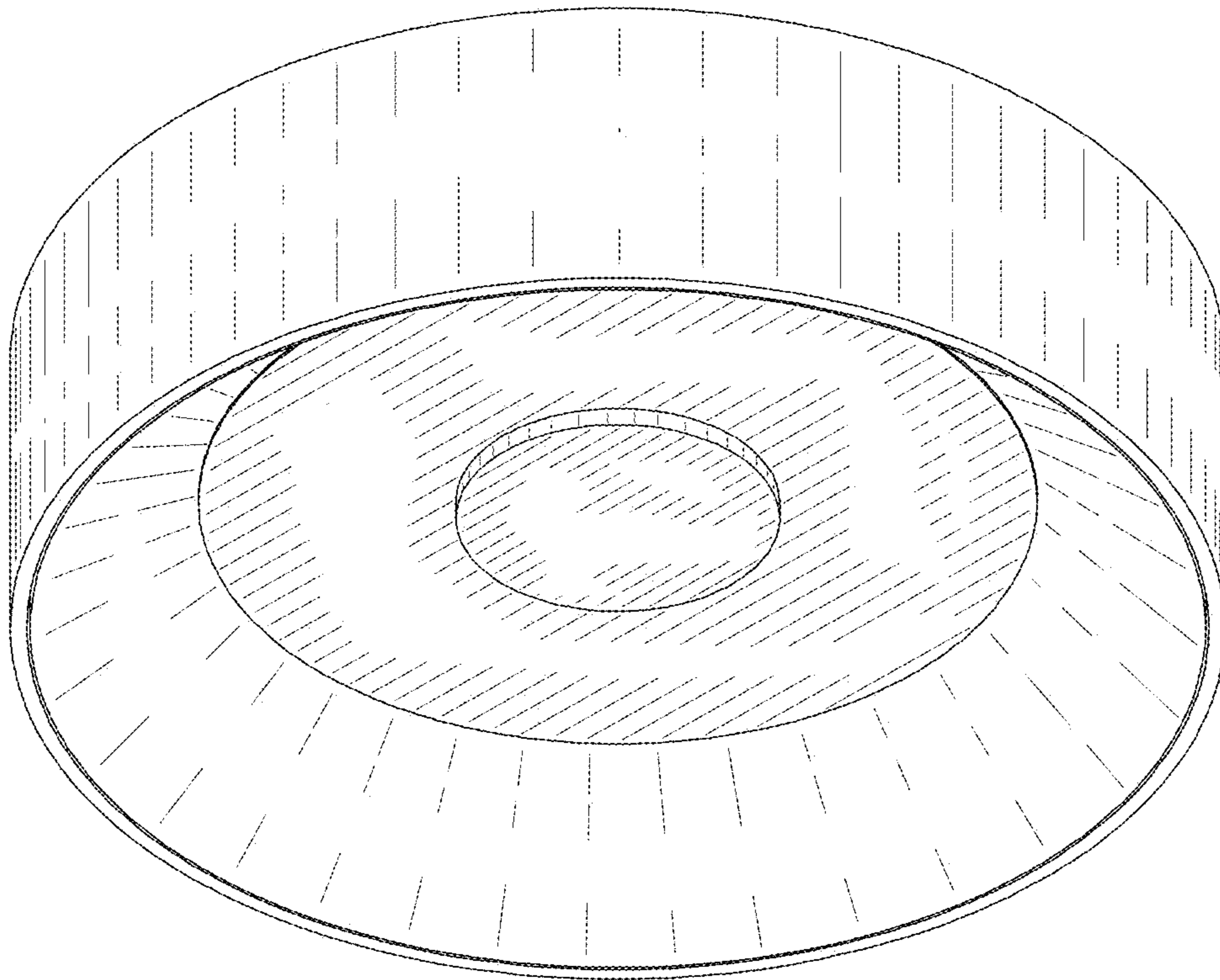


FIG. 1

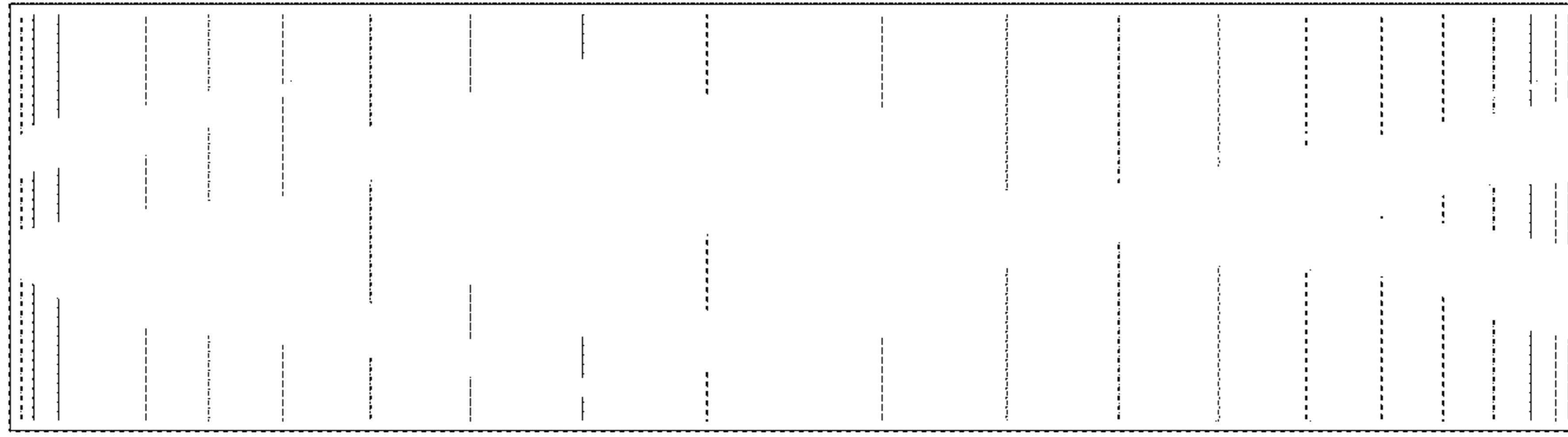


FIG. 2



FIG. 3



FIG. 4



FIG. 5

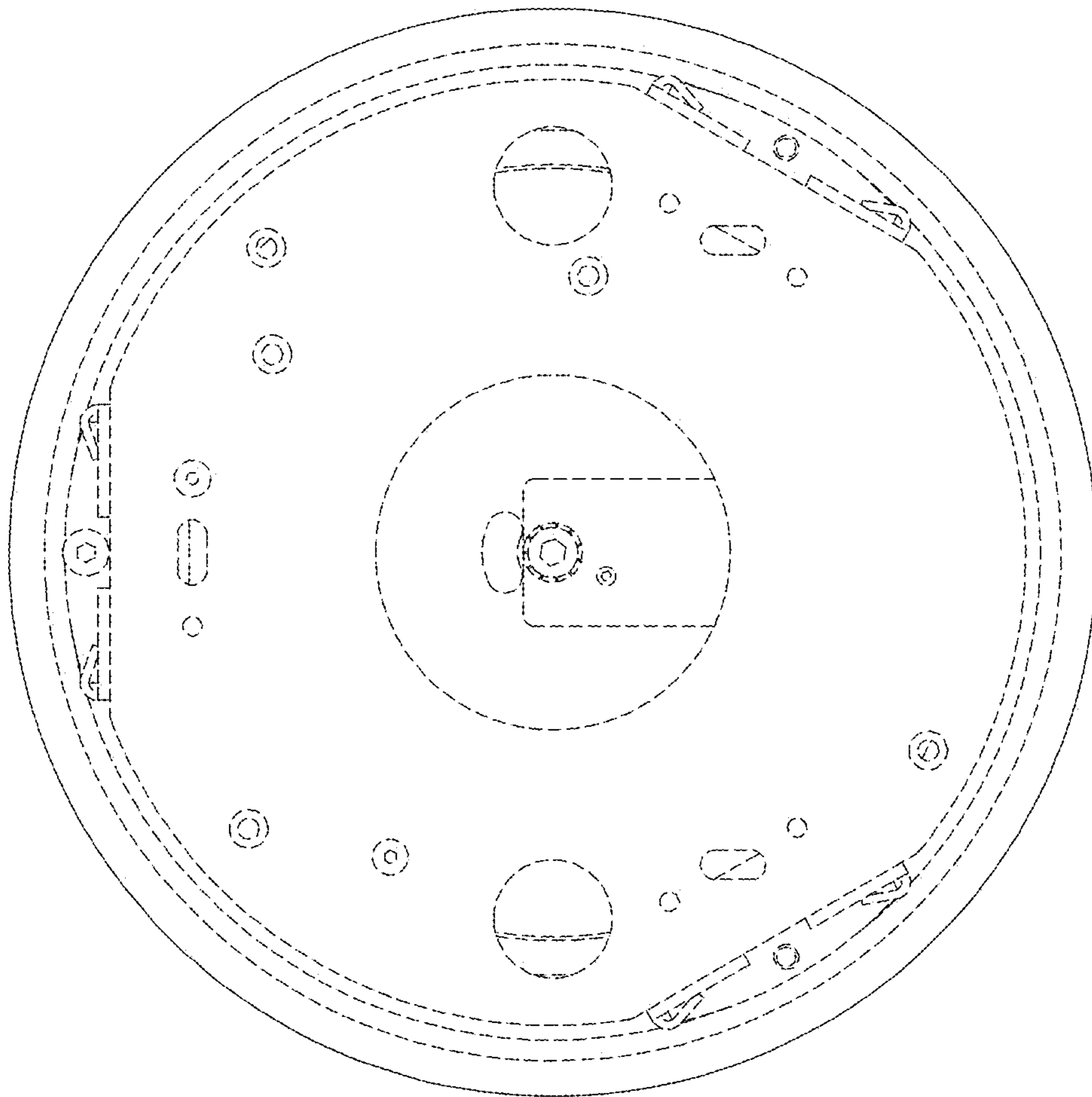


FIG. 6

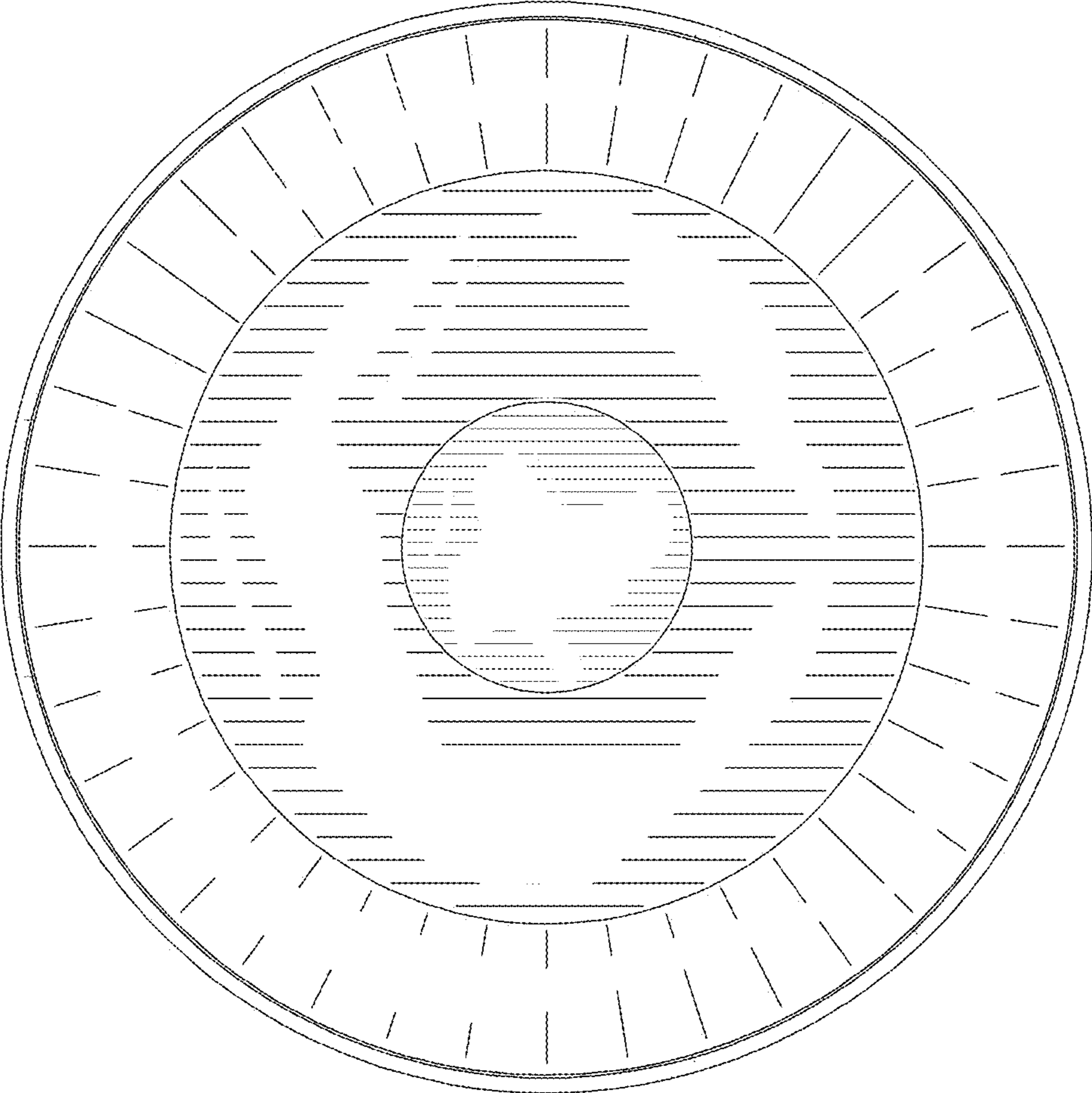


FIG. 7