



US00D705472S

(12) **United States Design Patent**
Huh

(10) **Patent No.:** **US D705,472 S**

(45) **Date of Patent:** **** May 20, 2014**

- (54) **FLUSH TYPE CEILING LAMP**
- (71) Applicant: **ALTO Co., Ltd.**, Seoul (KR)
- (72) Inventor: **Seung Hyo Huh**, Seoul (KR)
- (73) Assignee: **ALTO, Co., Ltd.** (KR)
- (**) Term: **14 Years**
- (21) Appl. No.: **29/444,658**
- (22) Filed: **Feb. 1, 2013**
- (51) **LOC (10) Cl.** **26-05**
- (52) **U.S. Cl.**
USPC **D26/74**
- (58) **Field of Classification Search**
USPC D26/74, 113, 118, 119, 120, 122, 138,
D26/141, 24, 58, 59, 67, 72, 76, 77, 78, 79,
D26/80, 81, 82, 83, 84, 85, 86, 88, 89, 90,
D26/91, 93, 105; 362/364, 365, 366, 145,
362/146, 147, 148, 150, 151, 152, 153,
362/153.1, 217.06, 217.07, 219, 294,
362/296.01, 311.07, 311.09
See application file for complete search history.

D596,330	S	*	7/2009	Pickard et al.	D26/74
D654,205	S	*	2/2012	Rashidi	D26/74
D658,802	S	*	5/2012	Chen	D26/74
8,403,533	B1	*	3/2013	Paulsel	362/249.02
D681,859	S	*	5/2013	Beregszaszi	D26/74
D684,720	S	*	6/2013	Rashidi	D26/74
D685,120	S	*	6/2013	Rashidi	D26/74
2012/0182744	A1	*	7/2012	Santiago et al.	362/365
2013/0051012	A1	*	2/2013	Oehle et al.	362/235
2013/0170232	A1	*	7/2013	Park et al.	362/364

* cited by examiner

Primary Examiner — Angela J Lee

(74) *Attorney, Agent, or Firm* — Wilmer Cutler Pickering Hale and Dorr LLP

(57) **CLAIM**

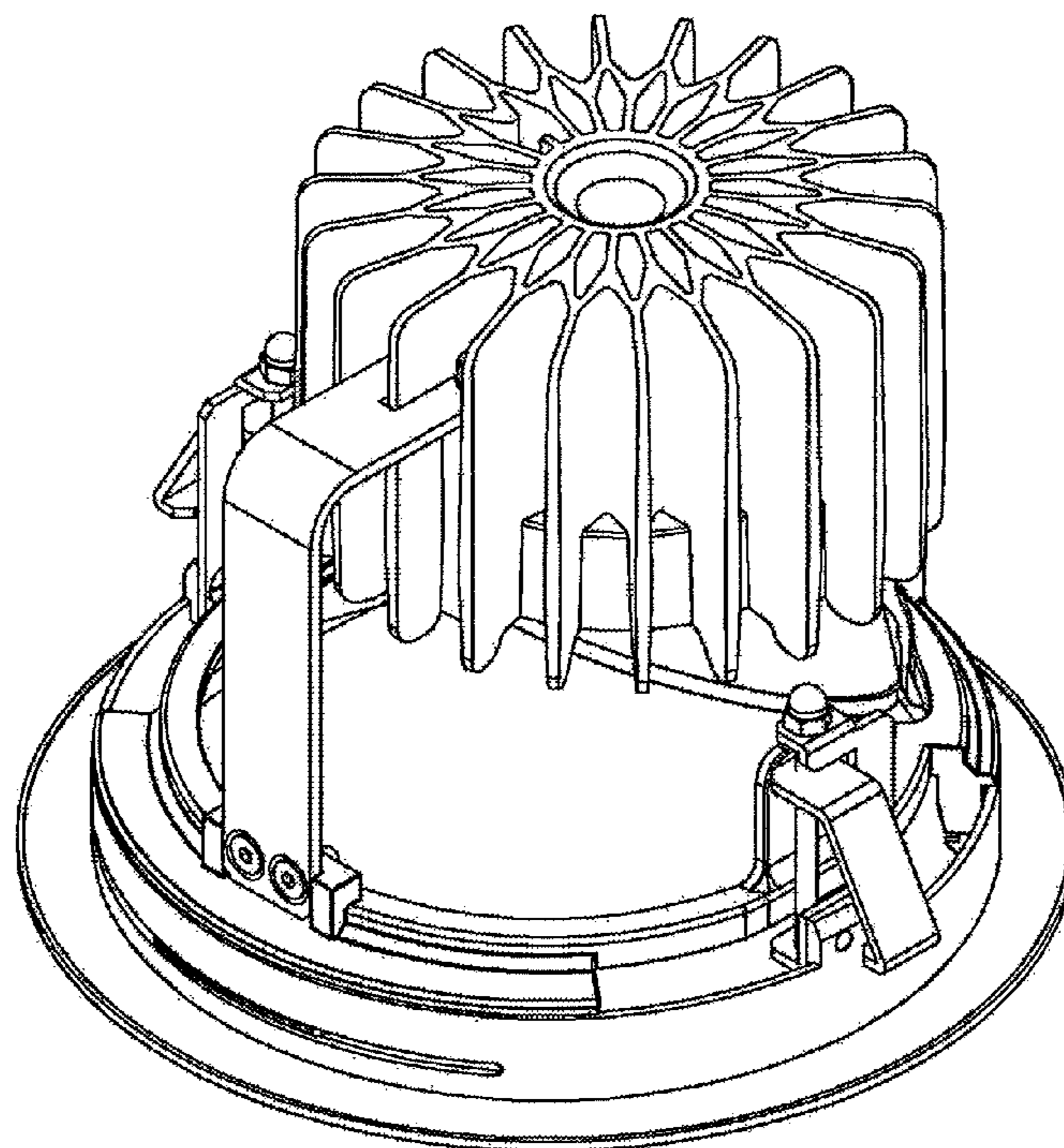
I claim the ornamental design for a flush type ceiling lamp, as shown and described.

DESCRIPTION

FIG. 1 is a perspective view of a flush type ceiling lamp in accordance with the new design;
 FIG. 2 is a front view thereof;
 FIG. 3 is a backside view thereof;
 FIG. 4 is a left side view thereof;
 FIG. 5 is a right side view thereof;
 FIG. 6 is a top view thereof; and
 FIG. 7 is a bottom view thereof.
 The portions of the flush type ceiling lamp shown in broken lines form no part of the claimed design.

1 Claim, 7 Drawing Sheets

- (56) **References Cited**
U.S. PATENT DOCUMENTS
D326,536 S * 5/1992 Gattari D26/74
D544,624 S * 6/2007 Chen D26/74
D571,497 S * 6/2008 Chan et al. D26/74



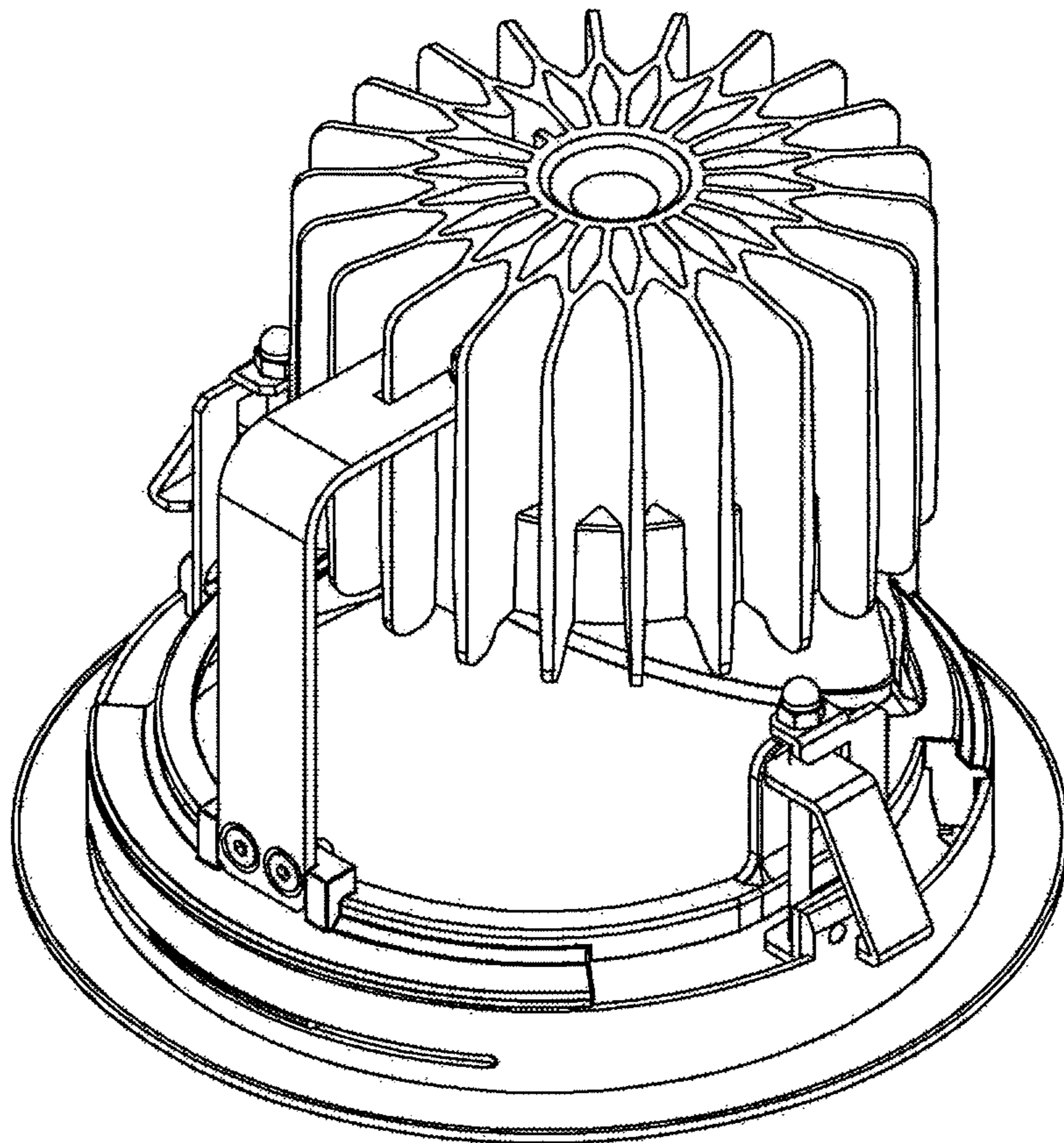


FIG. 1

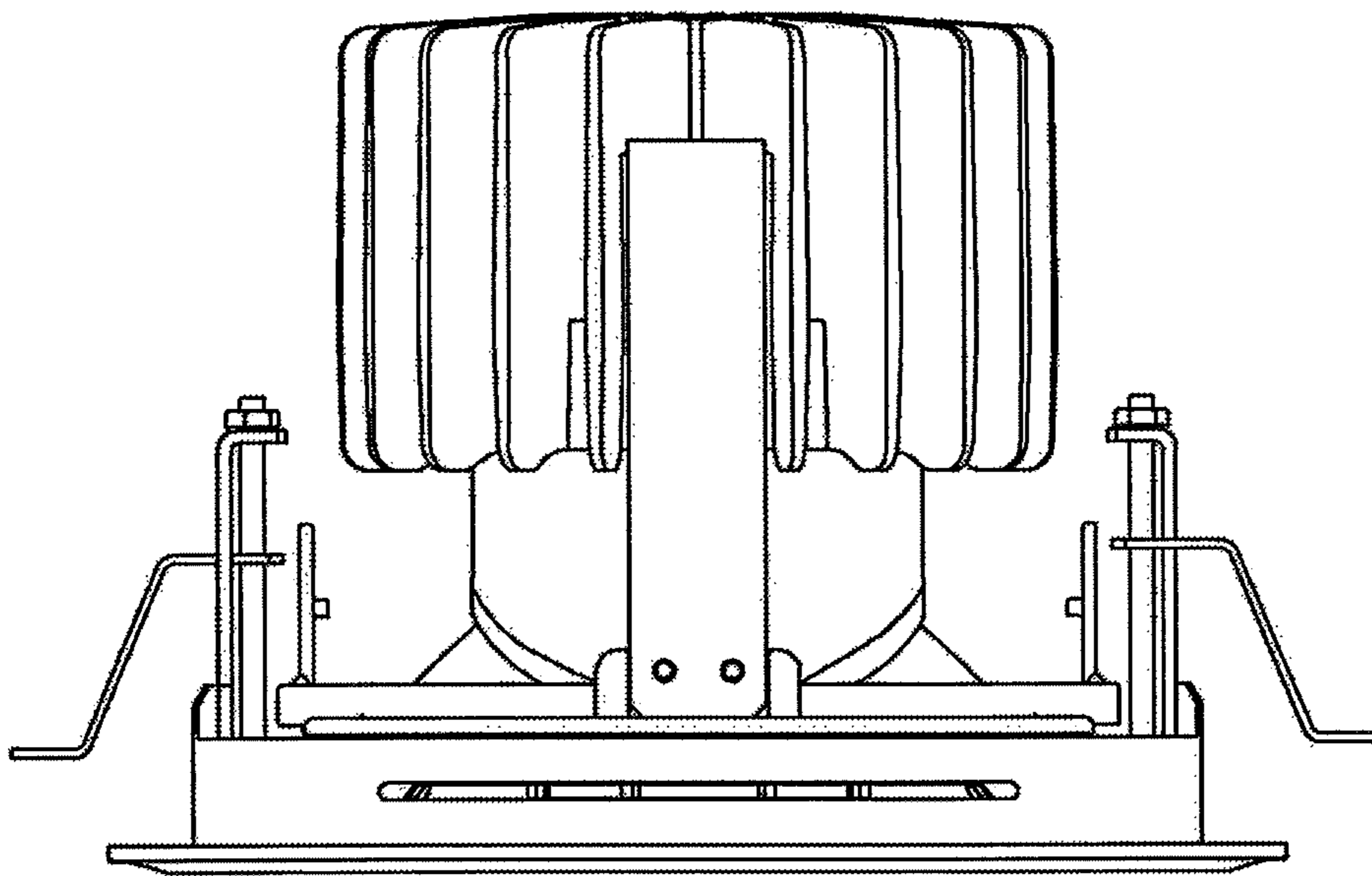


FIG. 2

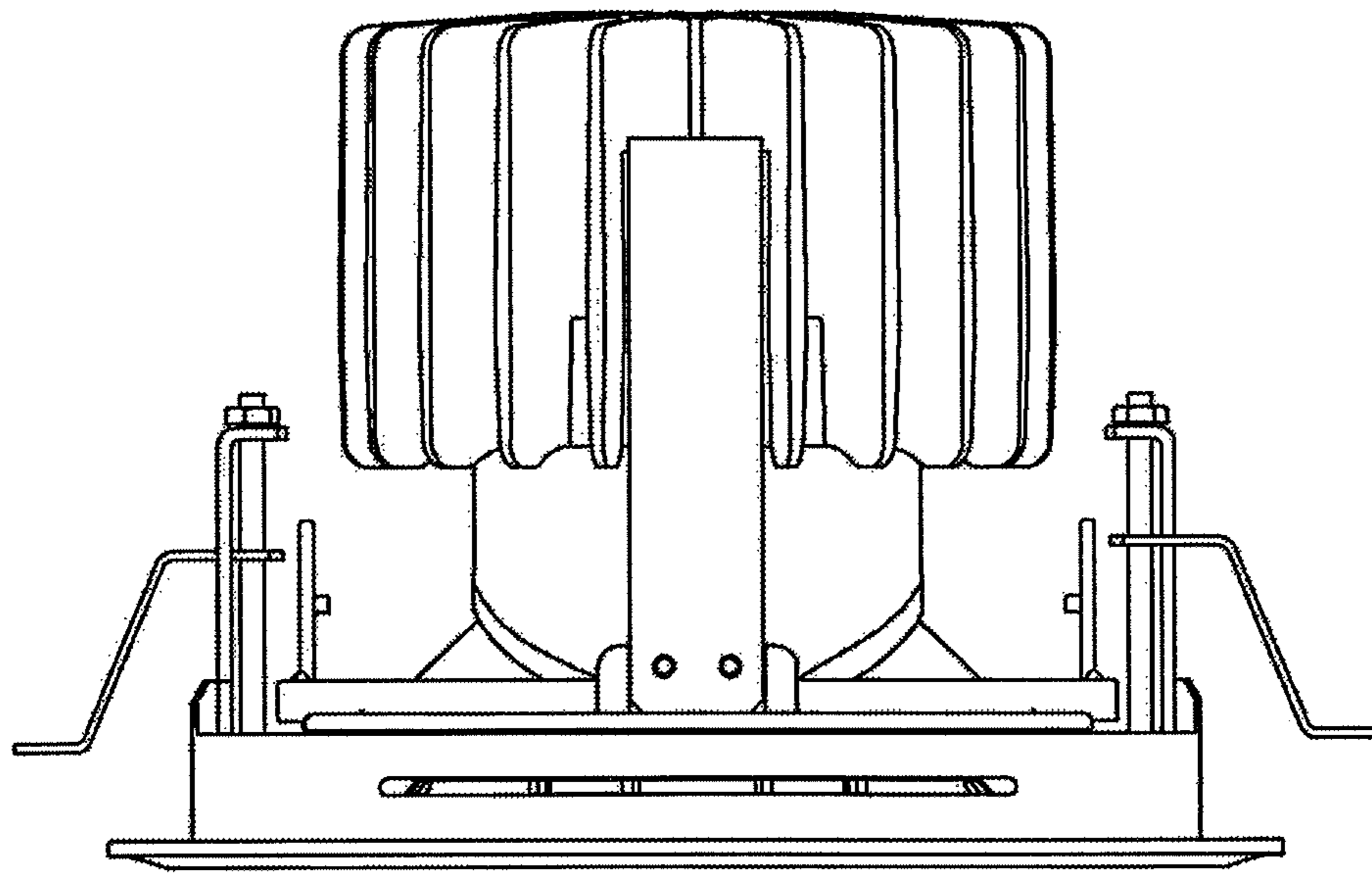


FIG. 3

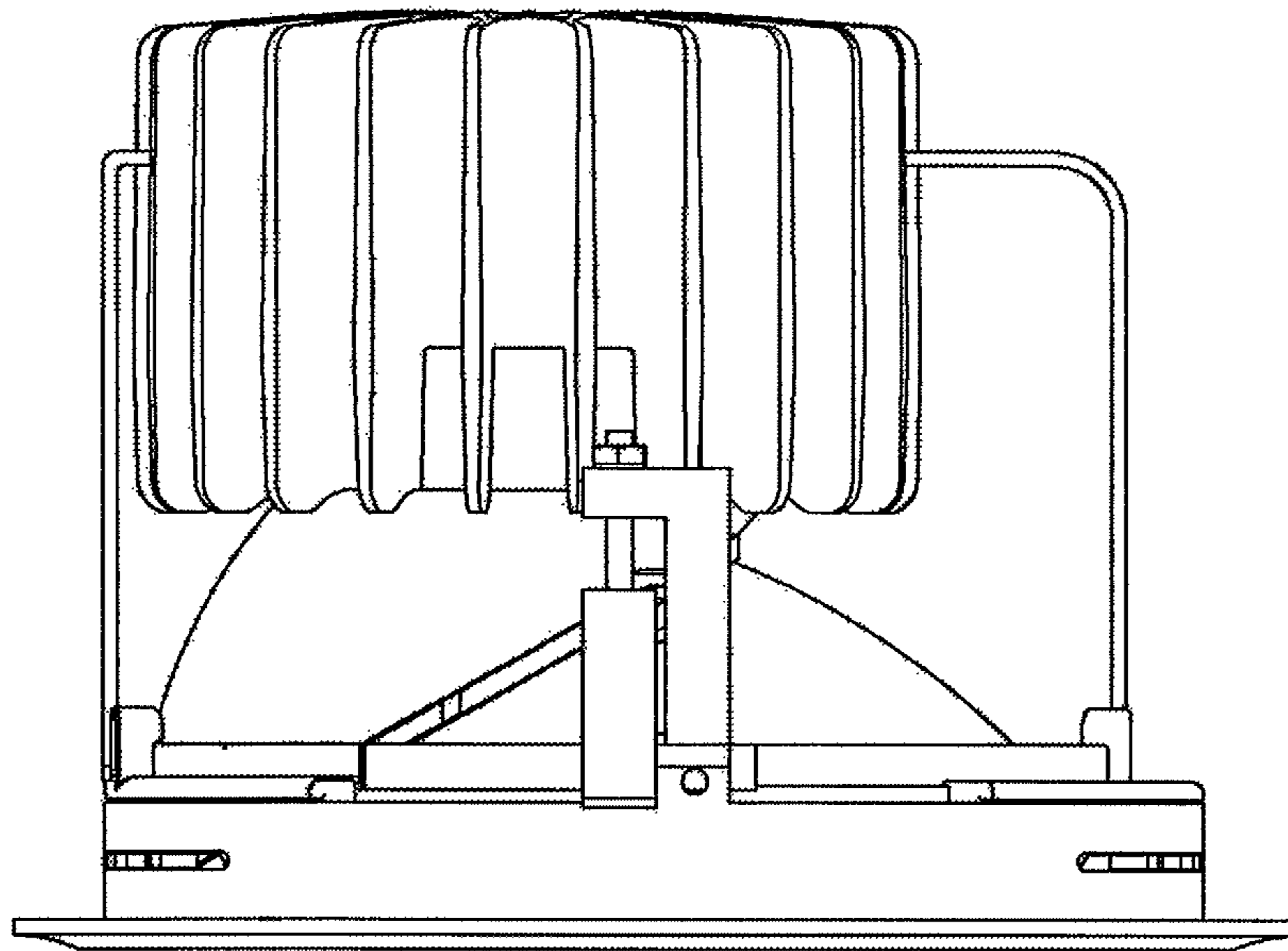


FIG. 4

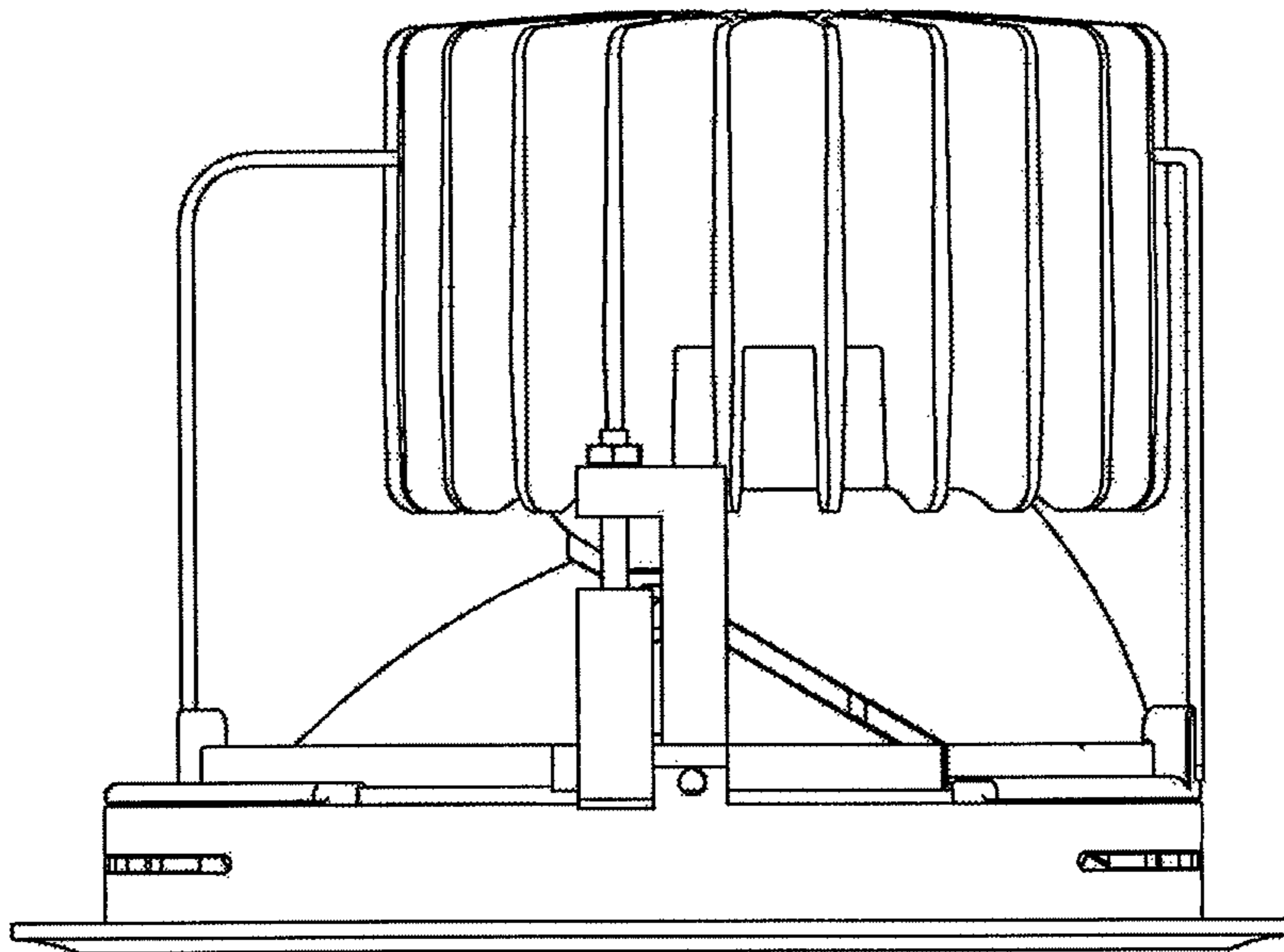


FIG. 5

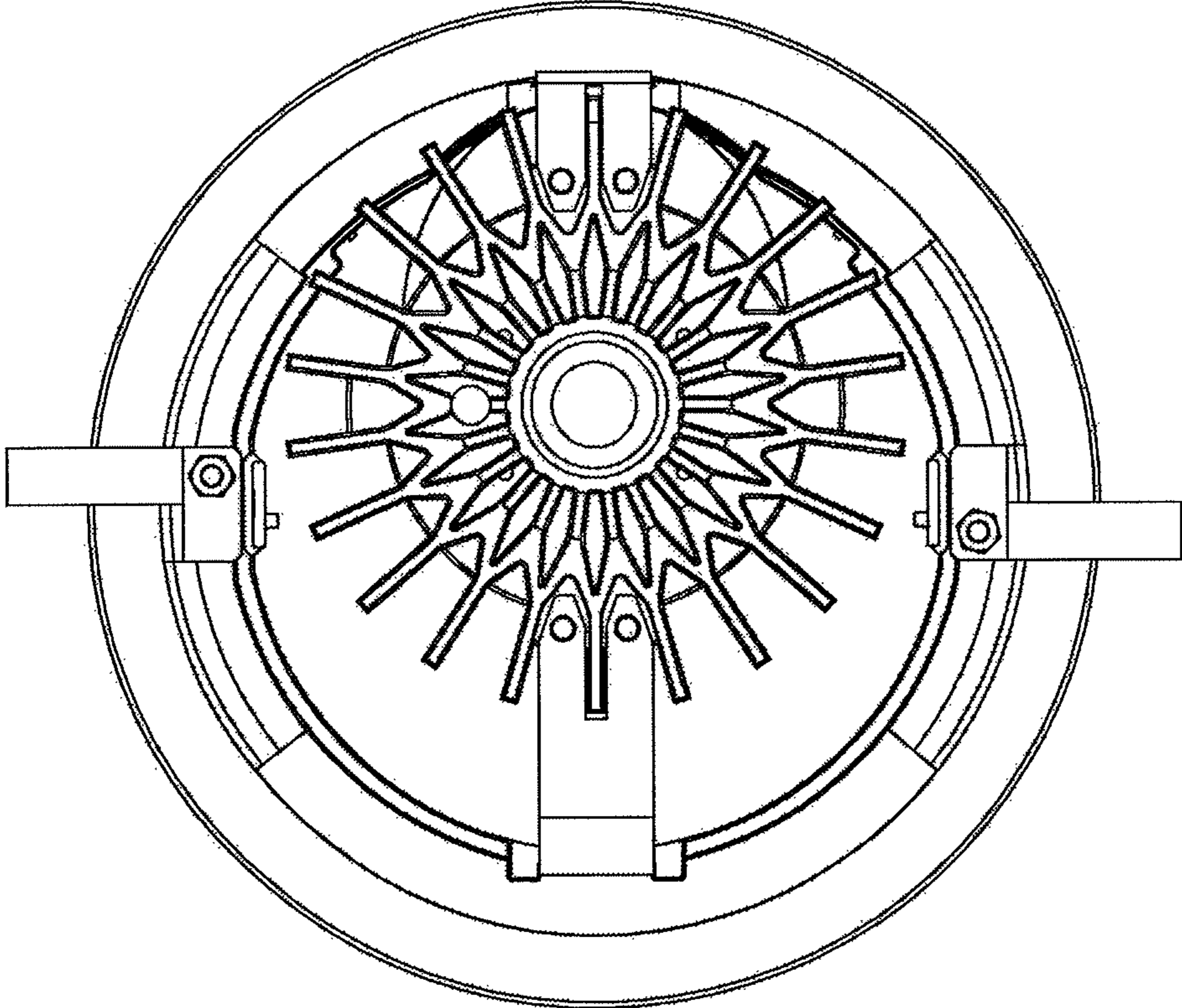


FIG. 6

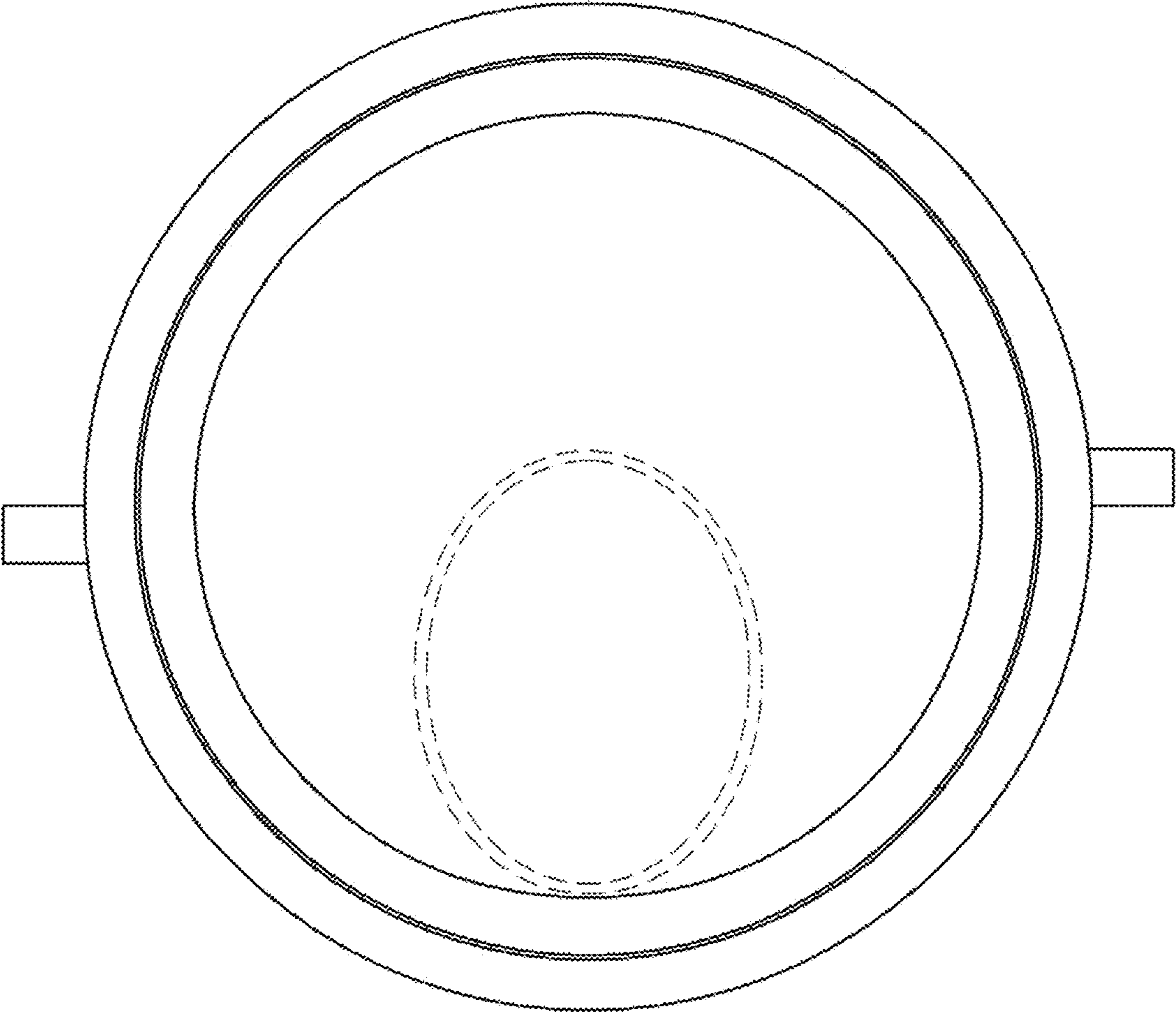


FIG. 7