



US00D705471S

(12) **United States Design Patent**  
**Kim et al.**

(10) **Patent No.:** **US D705,471 S**

(45) **Date of Patent:** **\*\* May 20, 2014**

(54) **LIGHT EMITTING DIODE (LED) CEILING LIGHT**

(71) Applicant: **Posco LED Company Ltd.,**  
Seongnam-si (KR)

(72) Inventors: **Ji Wan Kim, Seongnam-si (KR); Min Su Kim, Seongnam-si (KR); Yun Ha Kim, Seongnam-si (KR)**

(73) Assignee: **Posco LED Company Ltd.,**  
Seongnam-si (KR)

(\*\*) Term: **14 Years**

(21) Appl. No.: **29/465,954**

(22) Filed: **Sep. 3, 2013**

(30) **Foreign Application Priority Data**

Jun. 13, 2013 (KR) ..... 30-2013-0030651

(51) **LOC (10) Cl.** ..... **26-05**

(52) **U.S. Cl.**  
USPC ..... **D26/72; D26/89**

(58) **Field of Classification Search**  
USPC ..... D26/24, 26, 59, 72, 85, 88, 89, 118,  
D26/128, 130, 134-136; 362/147, 350,  
362/404-408, 453-456, 373  
See application file for complete search history.

(56) **References Cited**

**U.S. PATENT DOCUMENTS**

D80,310 S *	1/1930	Halvorson	.....	D26/134
D169,972 S *	7/1953	Glatther et al.	.....	D26/89
4,031,382 A *	6/1977	Laughter	.....	362/374
4,449,168 A *	5/1984	Ewing	.....	362/404
4,462,068 A *	7/1984	Shadwick	.....	362/332
4,633,377 A *	12/1986	Mackiewicz	.....	362/309

5,662,407 A *	9/1997	Fischer et al.	.....	362/147
6,053,625 A *	4/2000	Bowker	.....	362/348
6,116,749 A *	9/2000	Quiogue et al.	.....	362/148
D479,757 S *	9/2003	Fickas et al.	.....	D26/128
D496,487 S *	9/2004	Rhee	.....	D26/89
6,874,914 B2 *	4/2005	Desanto et al.	.....	362/372
D547,484 S *	7/2007	Guercio	.....	D26/89
D624,686 S *	9/2010	Toney et al.	.....	D26/72
D667,587 S *	9/2012	Wilcox et al.	.....	D26/89
D691,318 S *	10/2013	Wilcox et al.	.....	D26/85

\* cited by examiner

*Primary Examiner* — Clare E Heflin

(74) *Attorney, Agent, or Firm* — H.C. Park & Associates, PLC

(57) **CLAIM**

The ornamental design for a light emitting diode (LED) ceiling light, as shown and described.

**DESCRIPTION**

FIG. 1 is a Perspective View of the light emitting diode (LED) ceiling light of the claimed design.

FIG. 2 is a Front View of the light emitting diode (LED) ceiling light.

FIG. 3 is a Rear View of the light emitting diode (LED) ceiling light.

FIG. 4 is a Left Side View of the light emitting diode (LED) ceiling light.

FIG. 5 is a Right Side View of the light emitting diode (LED) ceiling light.

FIG. 6 is a Top Plan View of the light emitting diode (LED) ceiling light.

FIG. 7 is a Bottom Plan View of the light emitting diode (LED) ceiling light; and,

FIG. 8 is a Reference Perspective View showing unassembled state of the light emitting diode (LED) ceiling light.

**1 Claim, 6 Drawing Sheets**

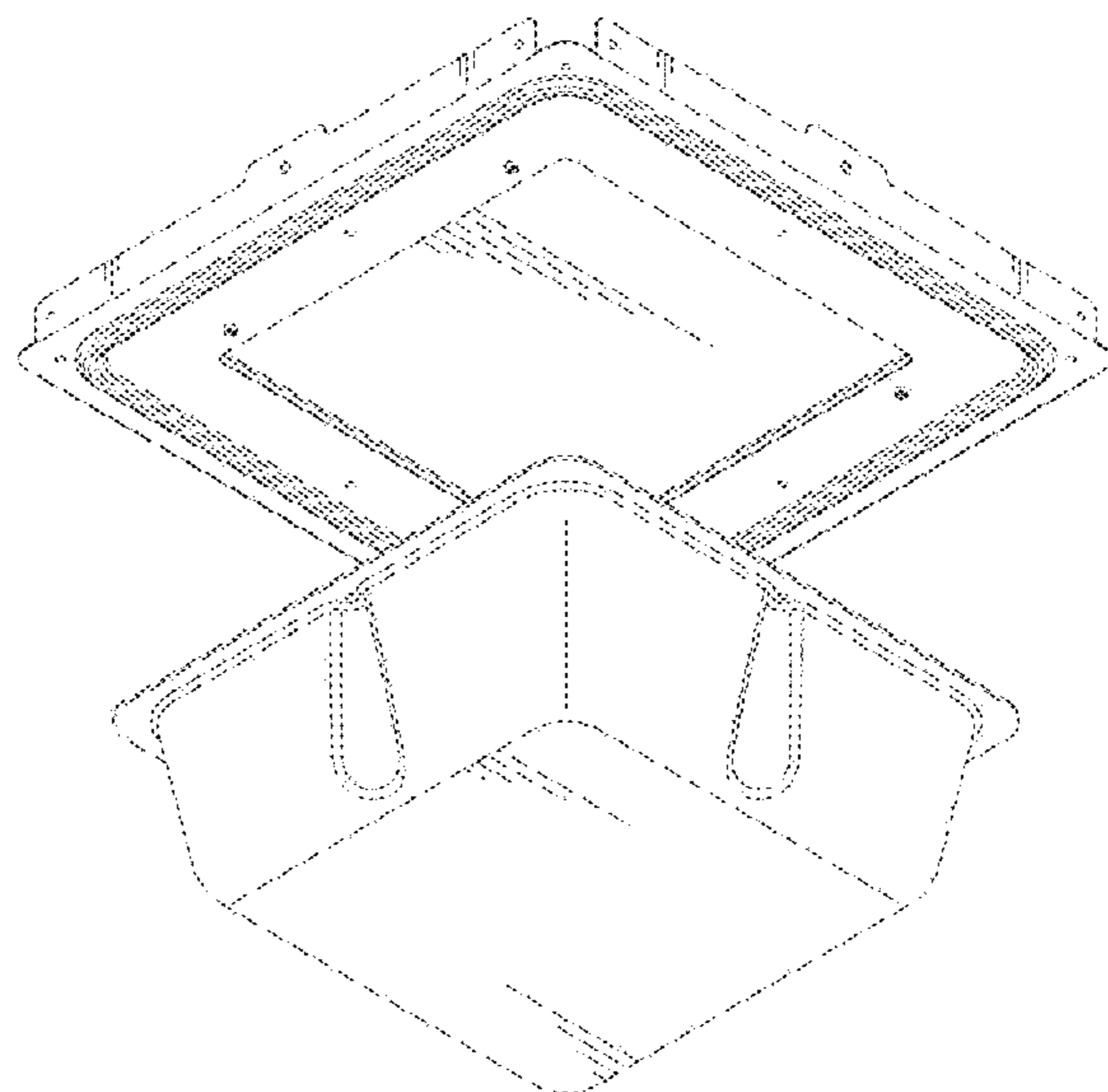
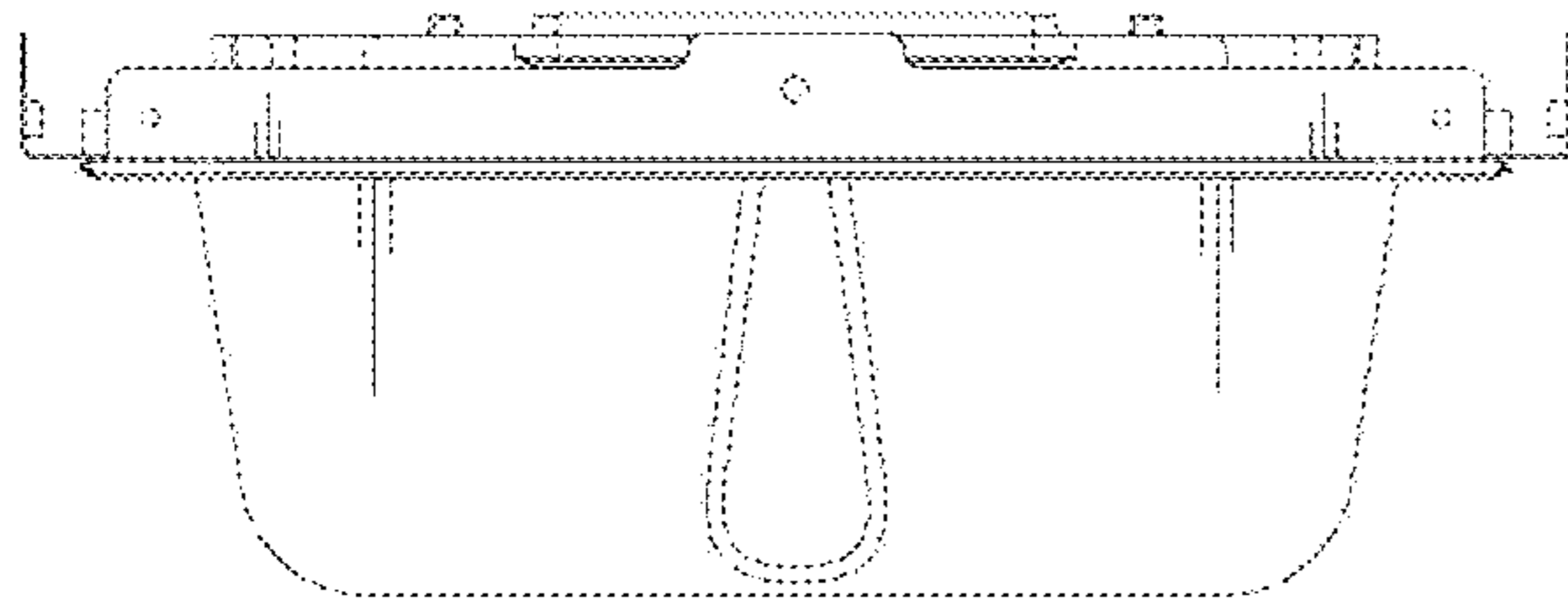


Fig. 1

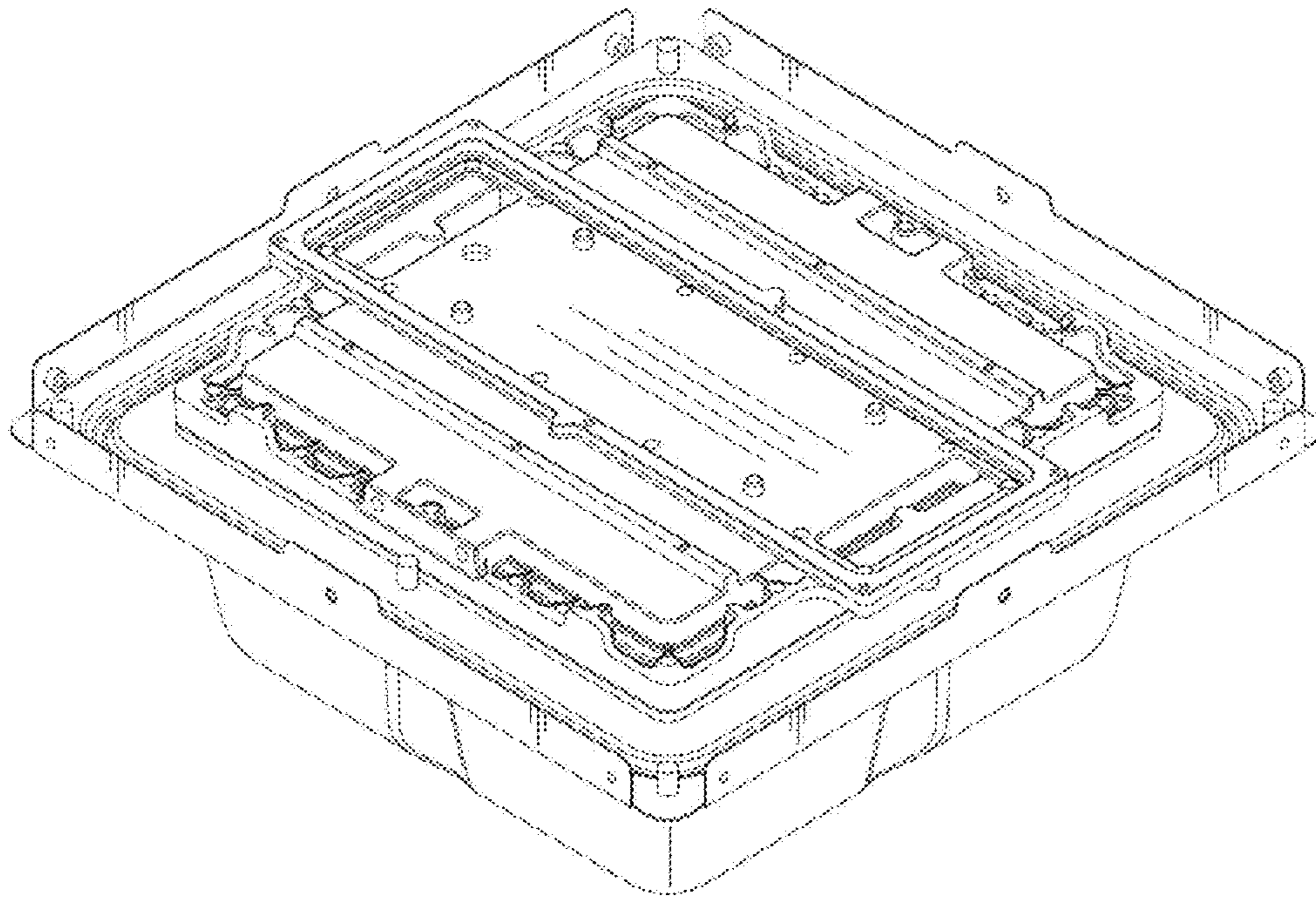


Fig. 2

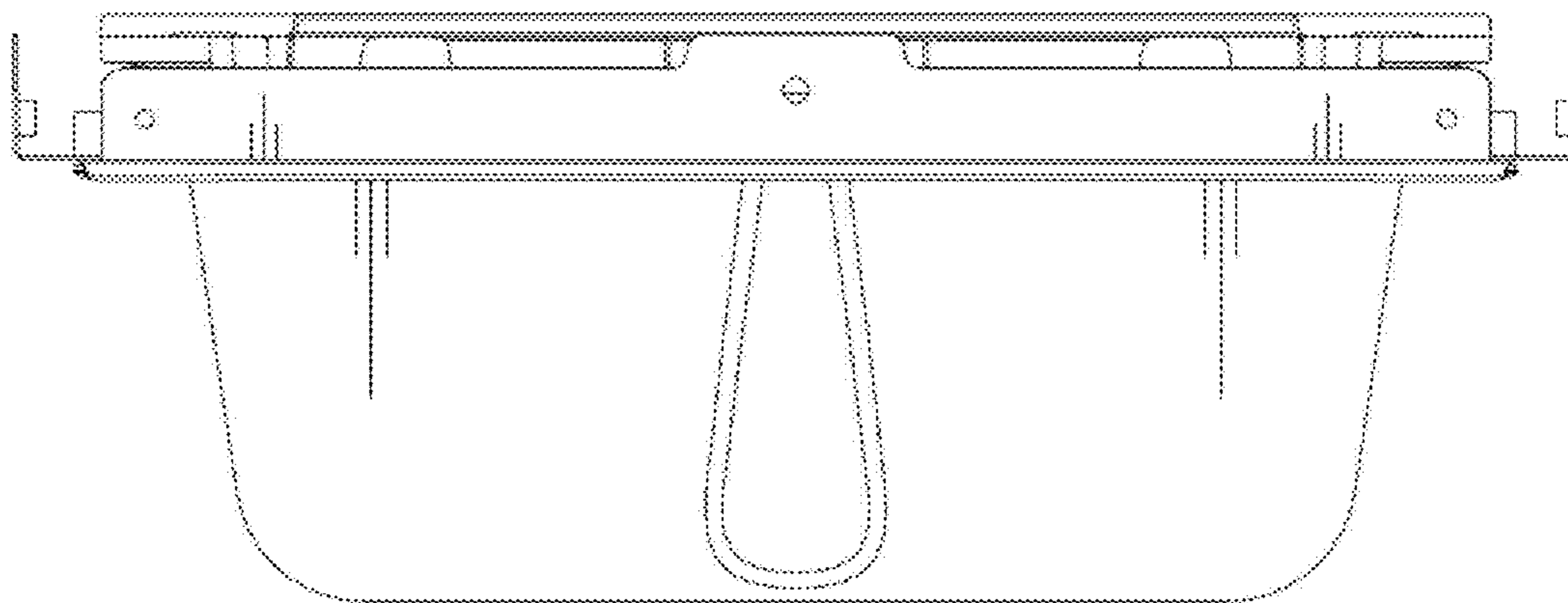


Fig. 3

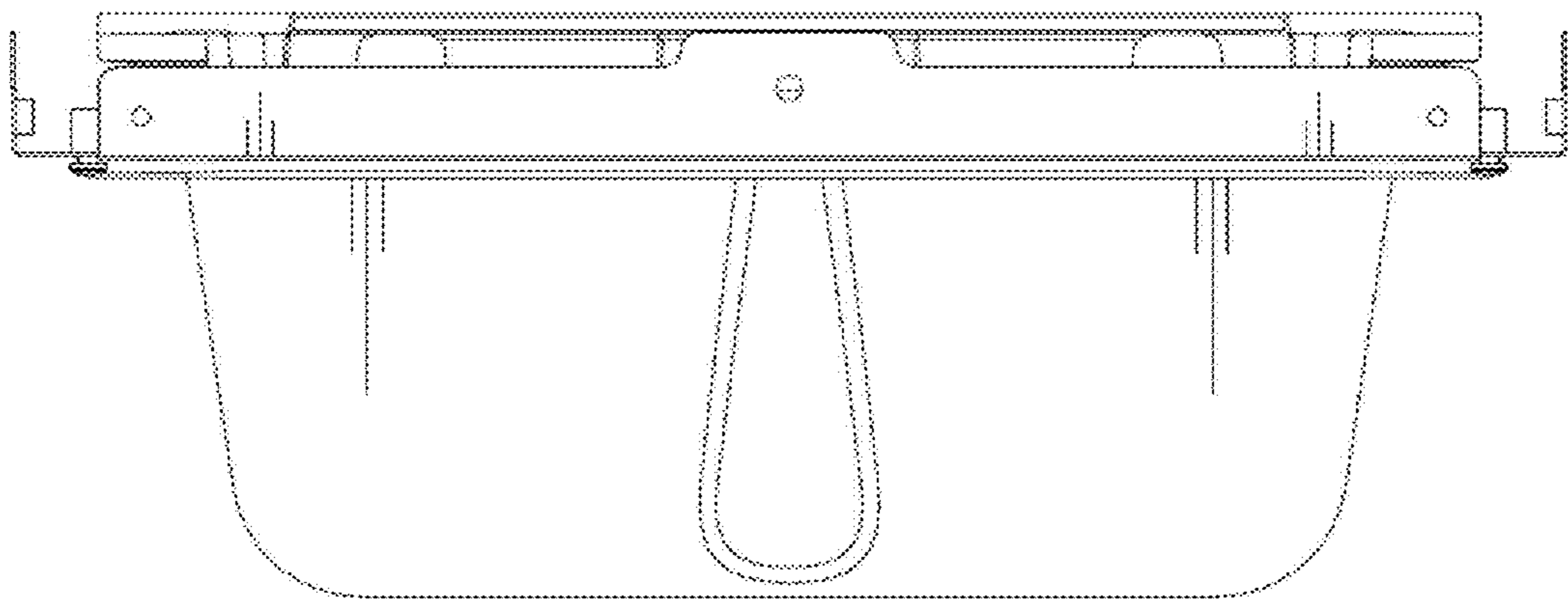


Fig. 4

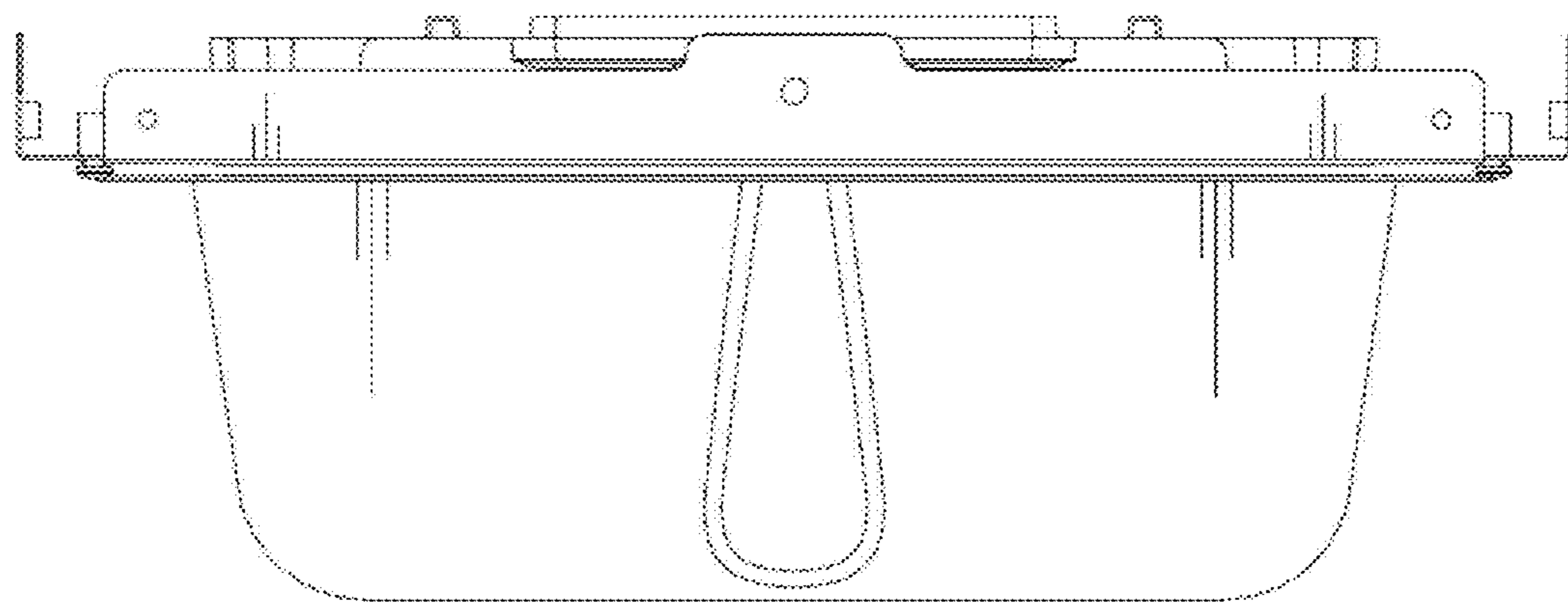


Fig. 5

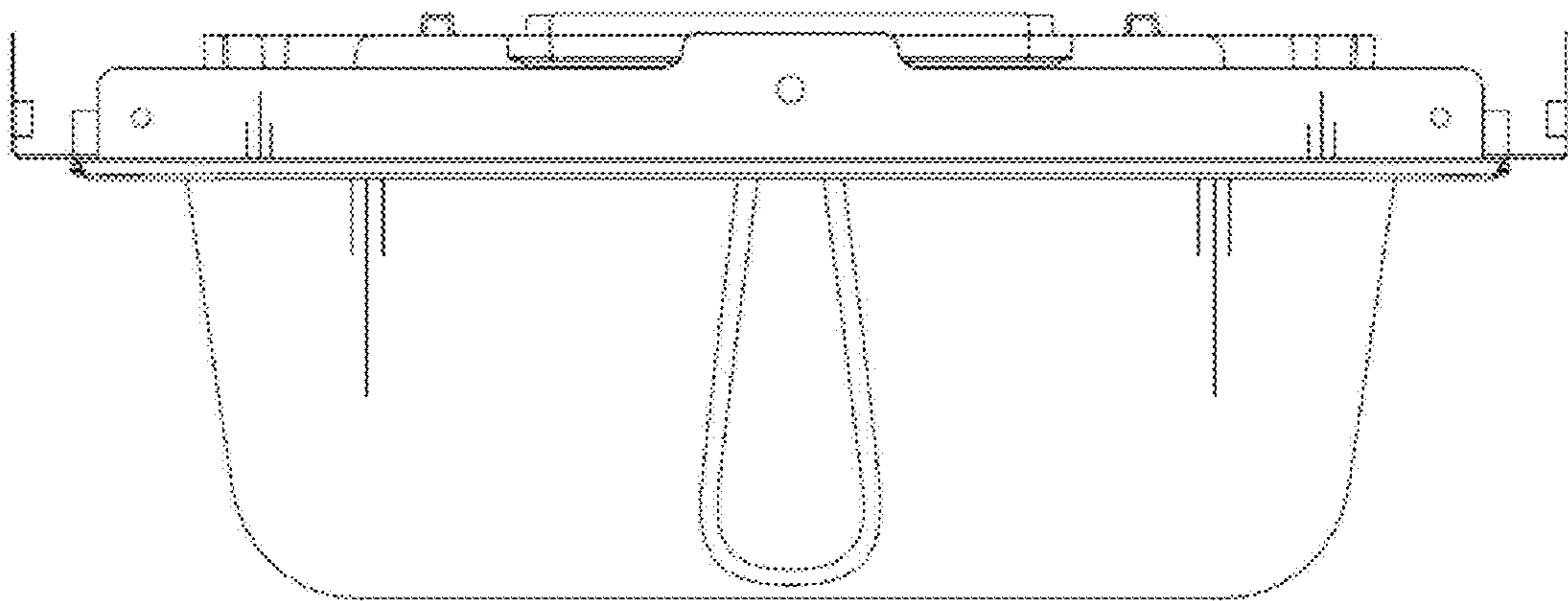


Fig. 6

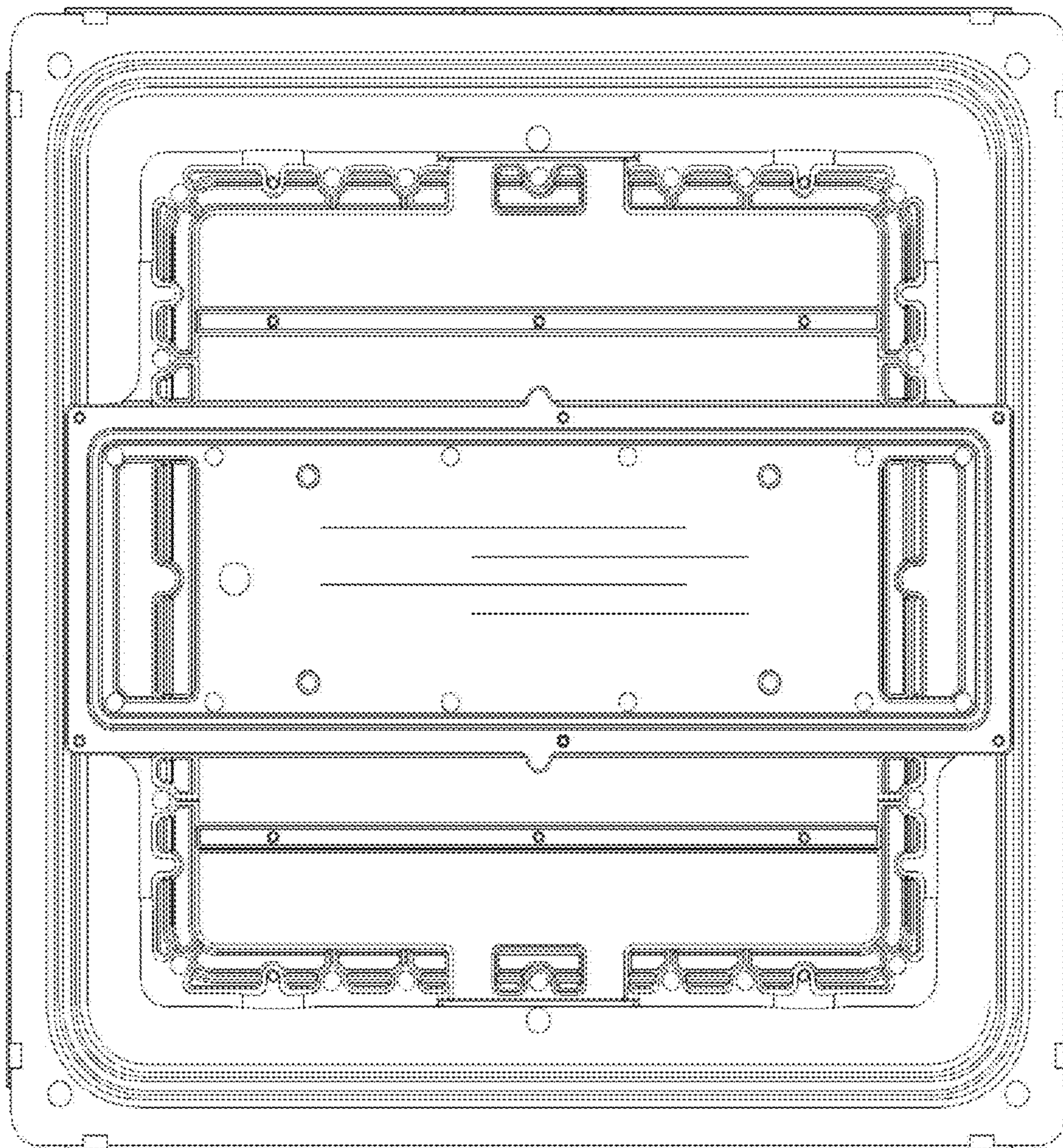


Fig. 7

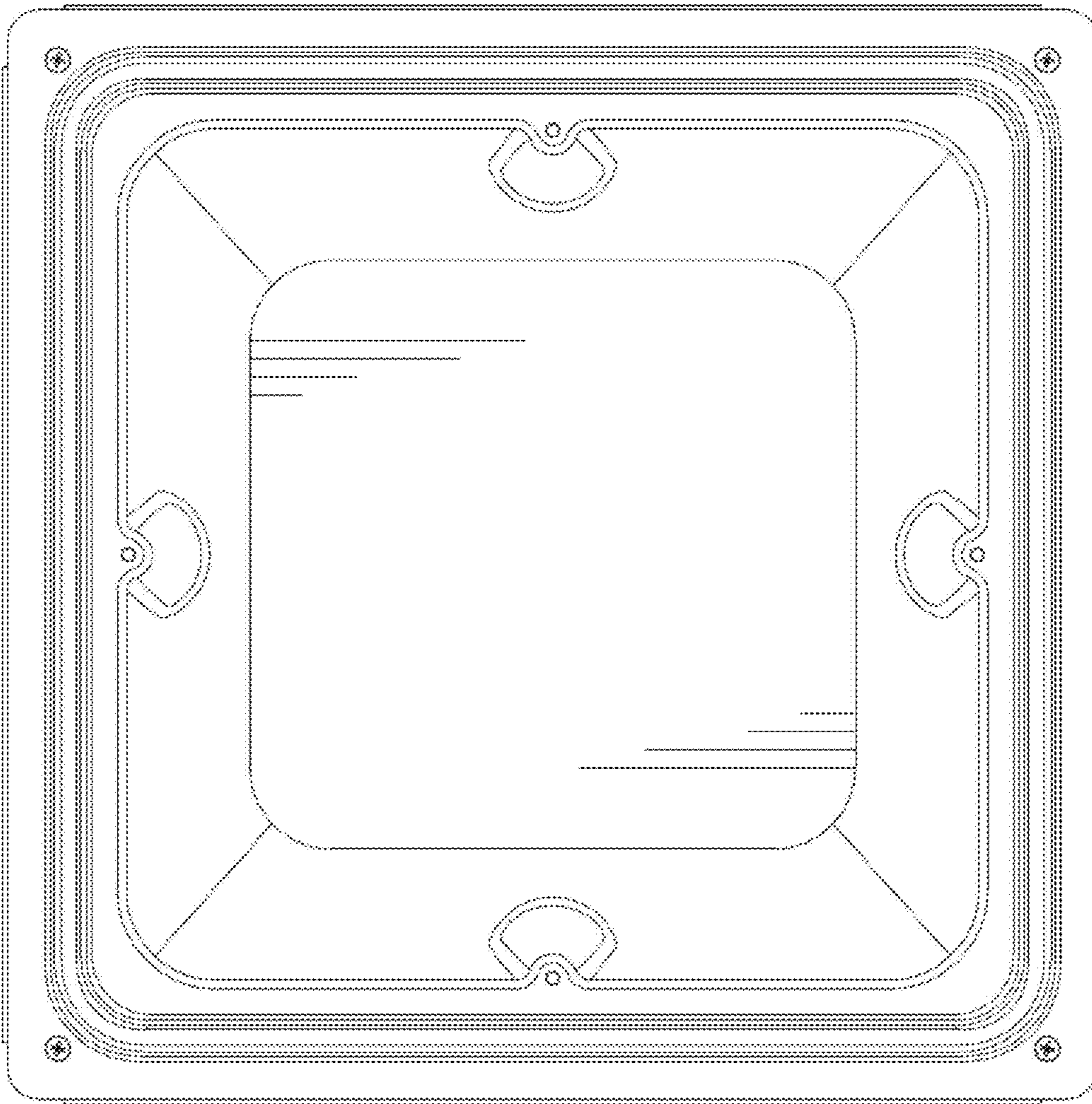


Fig. 8

