

US00D705470S

(12) **United States Design Patent**  
**Kuikka et al.**

(10) **Patent No.:** **US D705,470 S**

(45) **Date of Patent:** **\*\* May 20, 2014**

(54) **LIGHTING APPARATUS**

(56) **References Cited**

(75) Inventors: **Tuomo Kuikka**, Helsinki (FI); **Ari Karkkainen**, Singapore (SG); **Juha Rantala**, Singapore (SG); **Ilkka Kivimaki**, Helsinki (FI); **Lars Aikala**, Lapinkyla (FI)

U.S. PATENT DOCUMENTS

6,554,450 B2 *	4/2003	Fang et al. ....	362/231
6,921,182 B2 *	7/2005	Anderson et al. ....	362/231
7,771,088 B2 *	8/2010	Chen .....	362/294
D637,752 S *	5/2011	Mekhtarian .....	D26/72
D652,160 S *	1/2012	Brown .....	D26/24

(73) Assignee: **Valoya Oy**, Helsinki (FI)

\* cited by examiner

(\*\*) Term: **14 Years**

*Primary Examiner* — Brian N Vinson

(21) Appl. No.: **29/412,775**

(74) *Attorney, Agent, or Firm* — Young & Thompson

(22) Filed: **Feb. 7, 2012**

(57) **CLAIM**

The ornamental design for a lighting apparatus, as shown.

(30) **Foreign Application Priority Data**

**DESCRIPTION**

Aug. 9, 2011 (EM) ..... 001902271-0001

(51) **LOC (10) Cl.** ..... **26-05**

(52) **U.S. Cl.**  
USPC ..... **D26/72**

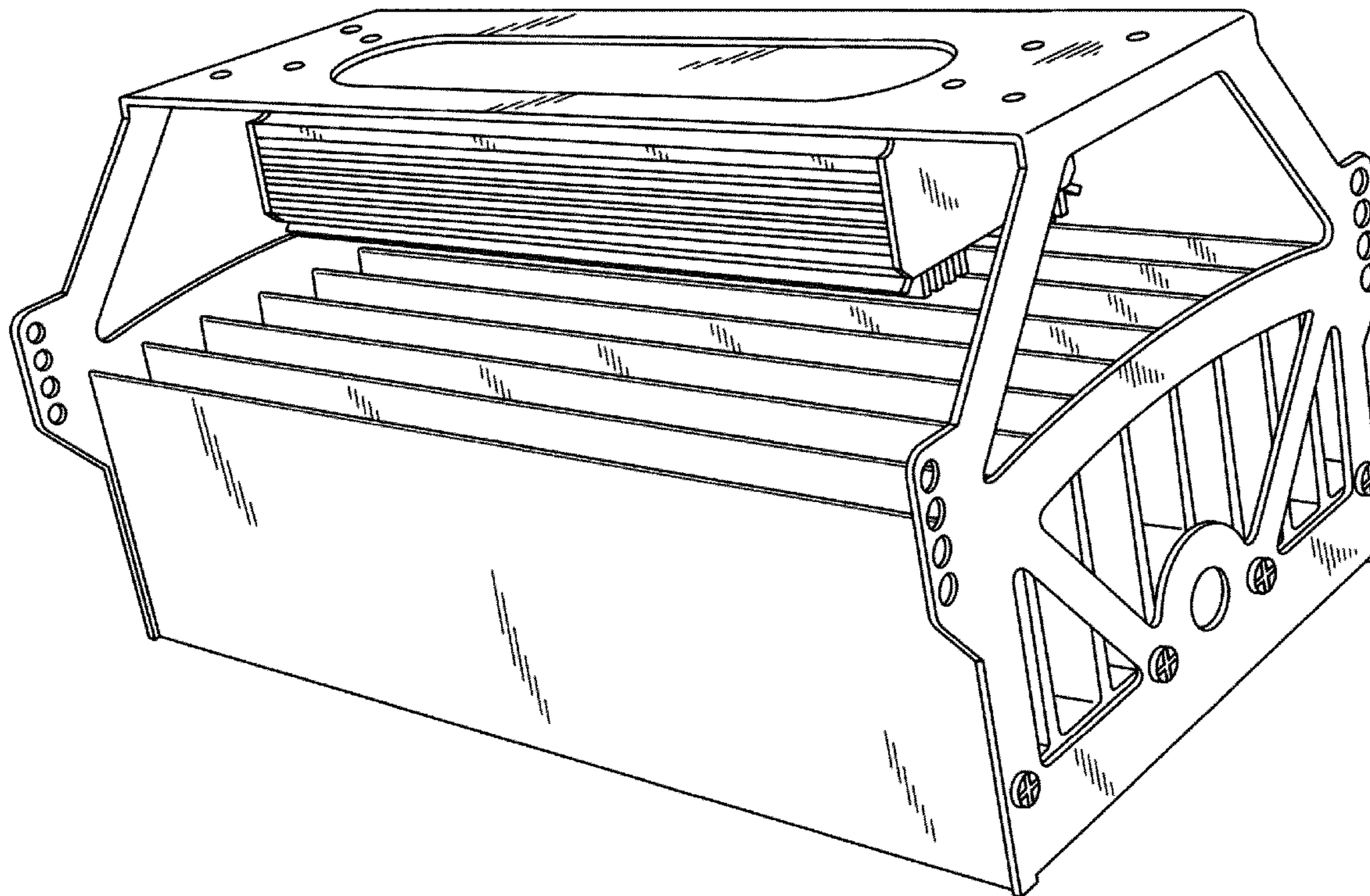
(58) **Field of Classification Search**  
USPC ..... D26/24, 72, 80; 362/230, 231, 235,  
362/294, 800, 805

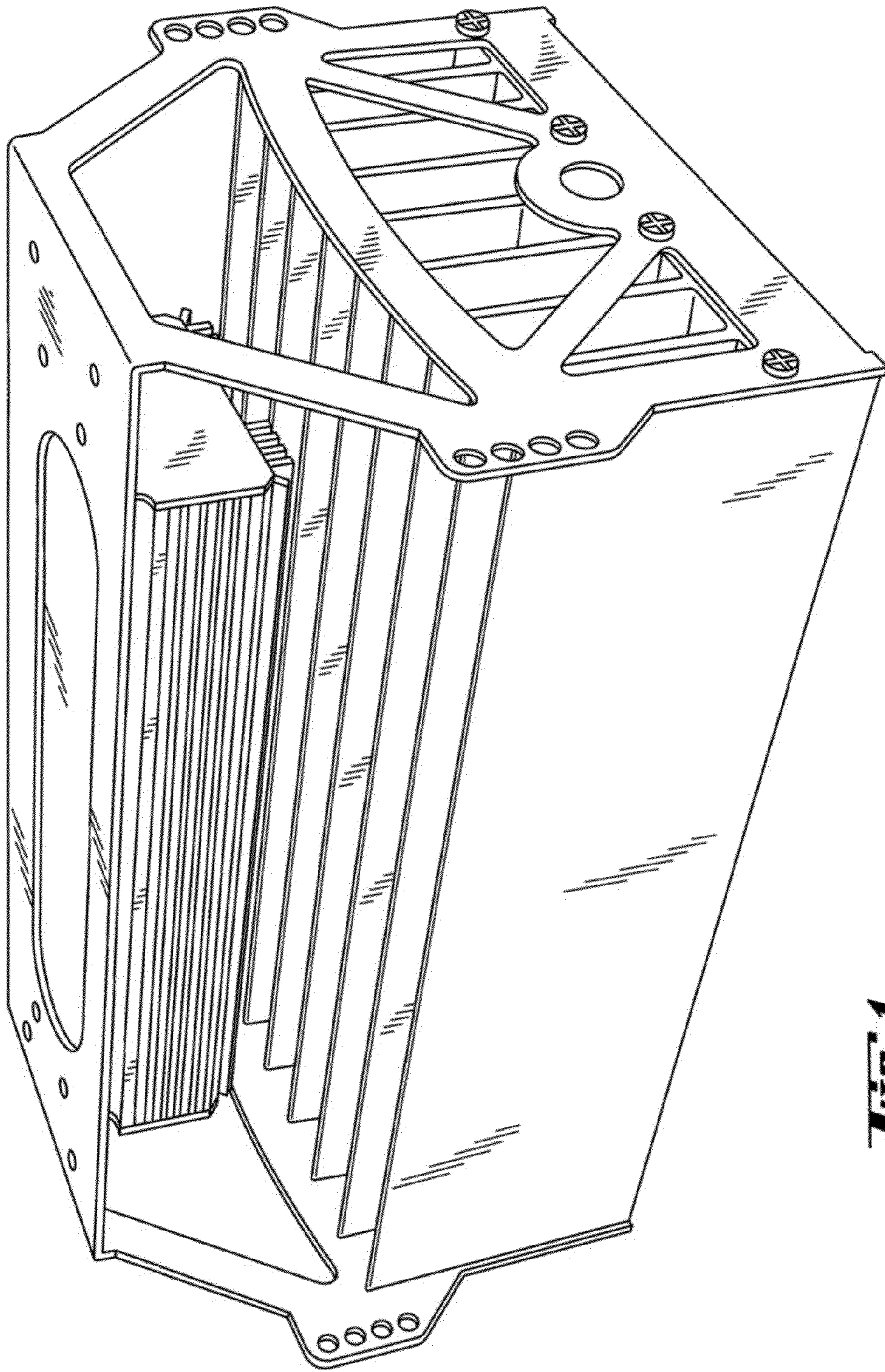
FIG. 1 is a front, left side and top perspective view of a lighting apparatus showing the new design; FIG. 2 is a left side elevation view thereof; FIG. 3 is a rear elevation view thereof; FIG. 4 is a top plan view thereof; FIG. 5 is a front elevation view thereof; FIG. 6 is a right side elevation view thereof; and, FIG. 7 is a bottom plan view thereof.

The broken lines shown in FIG. 7 represent unclaimed subject matter and form no part of the claimed design.

See application file for complete search history.

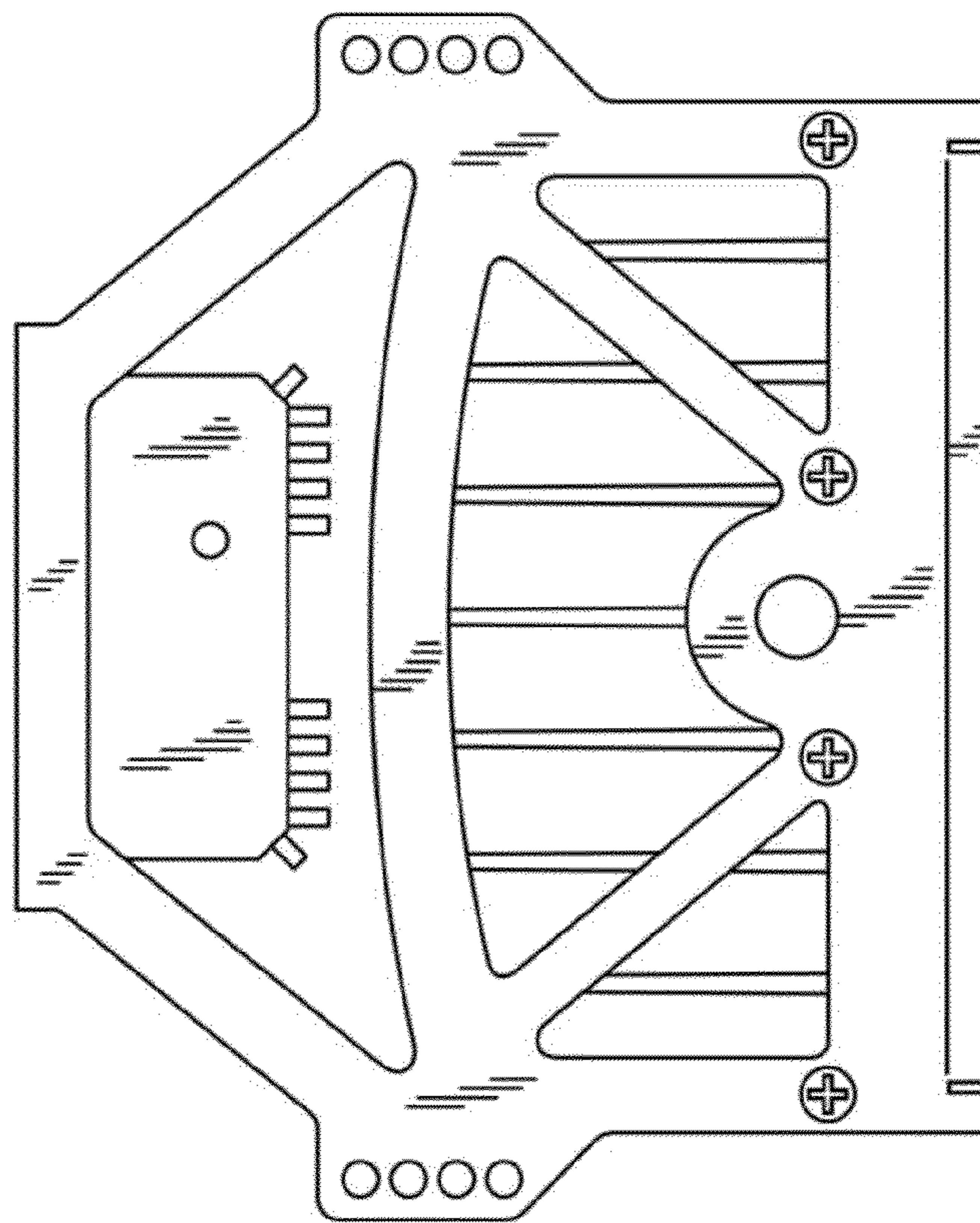
**1 Claim, 7 Drawing Sheets**



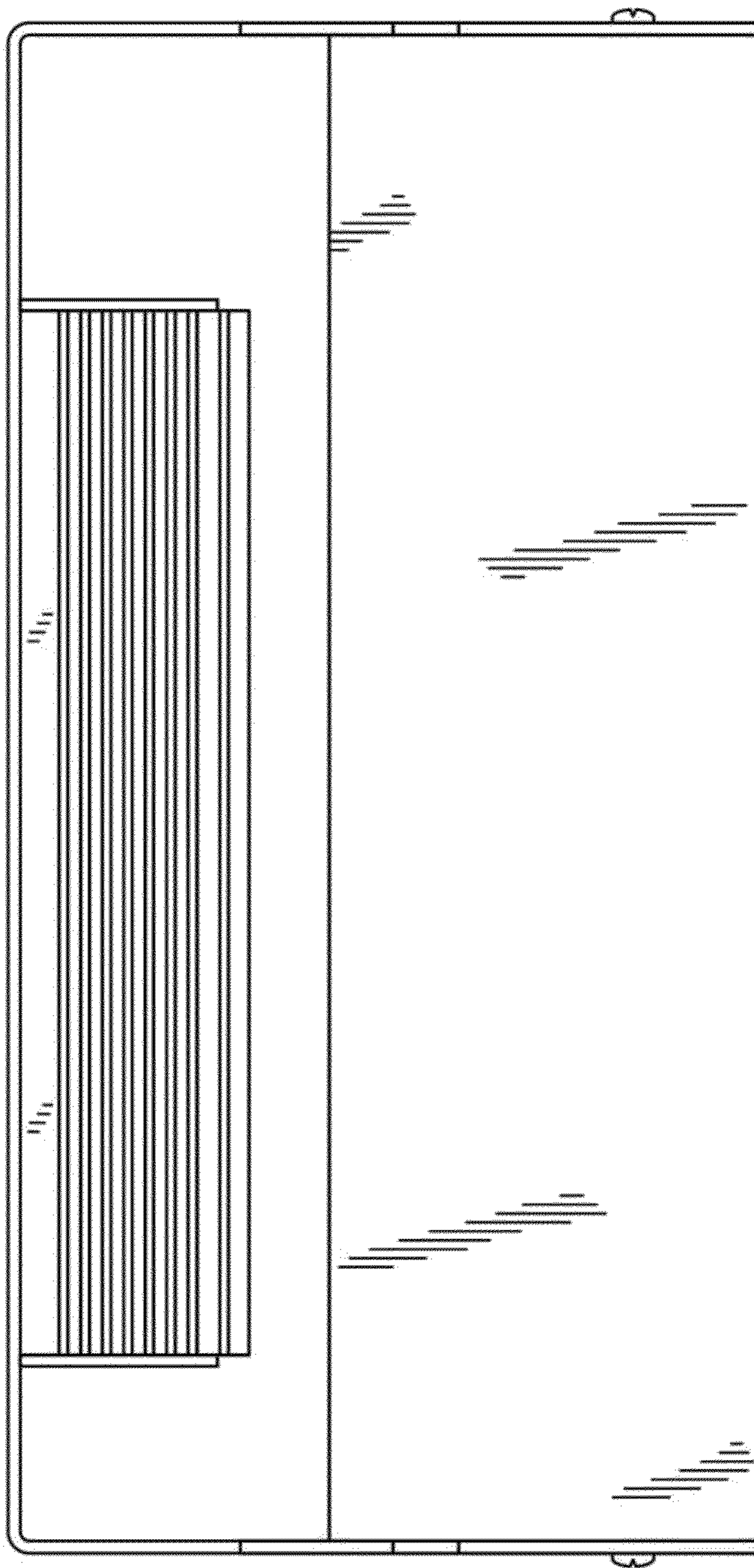


**Fig. 1**

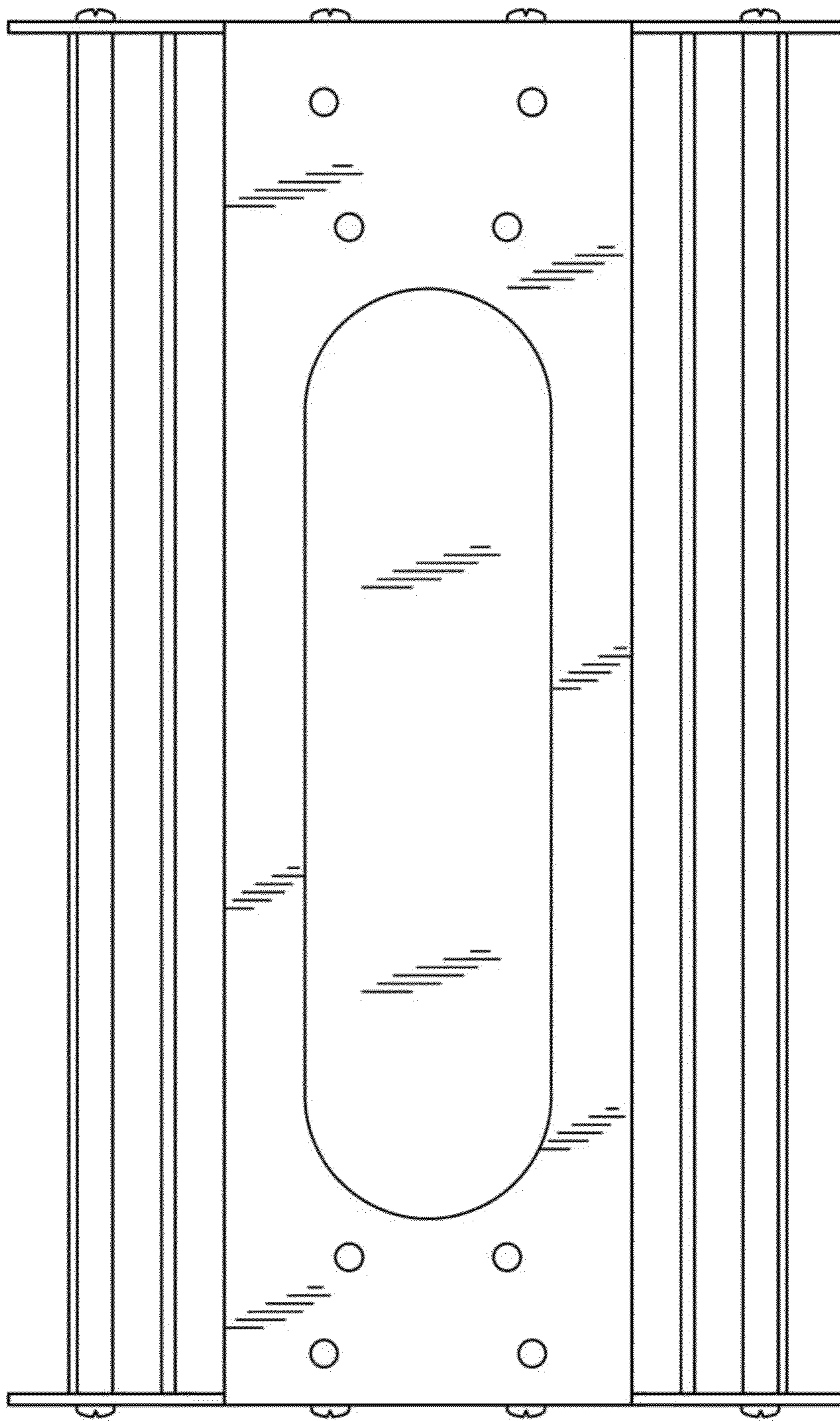
**Fig. 2**



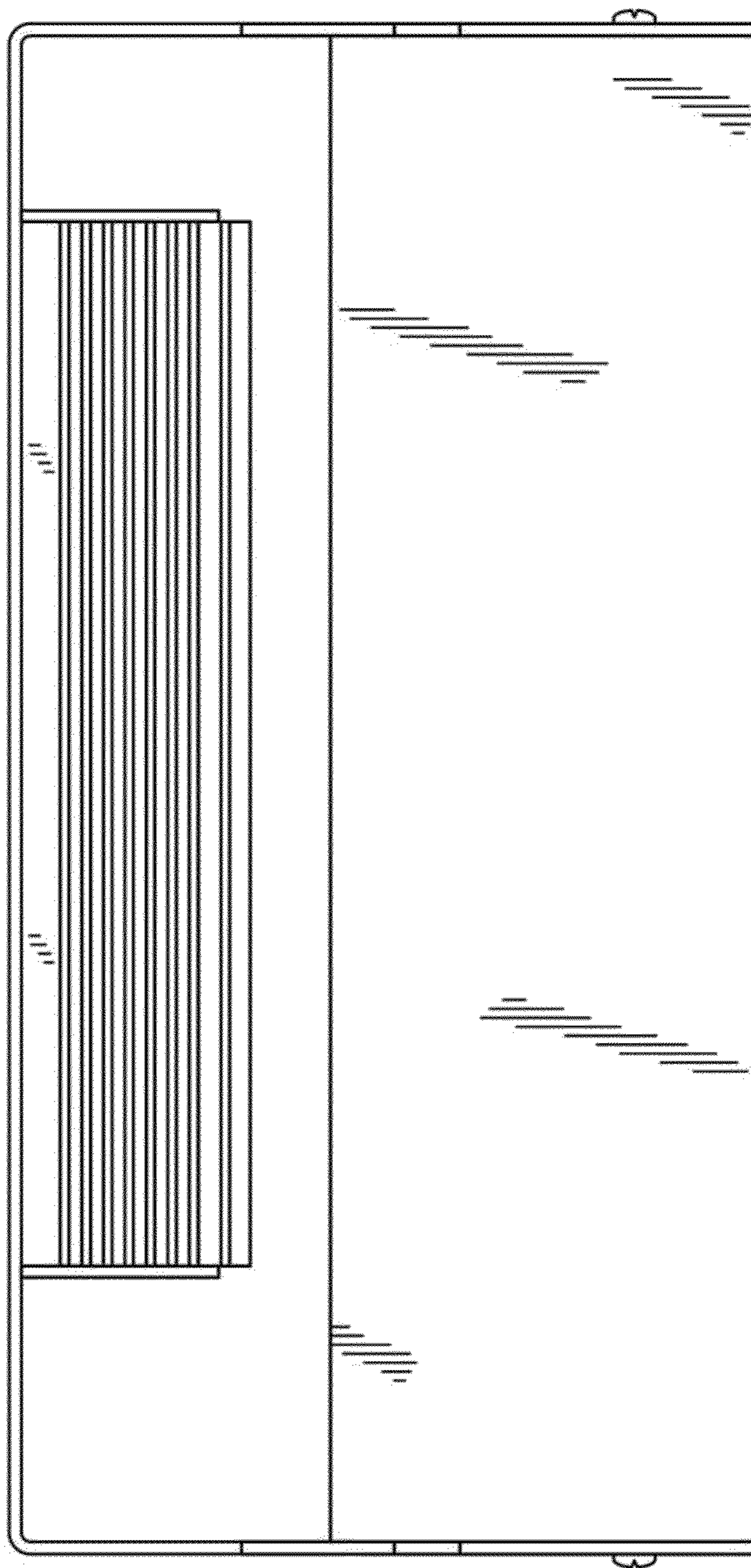
**Fig. 3**



**Fig. 4**



**Fig. 5**



**Fig. 6**

