



US00D705469S

(12) **United States Design Patent**
Stuckey

(10) **Patent No.:** **US D705,469 S**

(45) **Date of Patent:** **** May 20, 2014**

(54) **CORDLESS RECHARGEABLE LED LIGHT**

(56) **References Cited**

(71) Applicant: **Carl Stuckey**, Hilton Head Island, SC
(US)

U.S. PATENT DOCUMENTS

(72) Inventor: **Carl Stuckey**, Hilton Head Island, SC
(US)

D600,385 S * 9/2009 Lippert D26/62
D687,997 S * 8/2013 Stuckey D26/62
2007/0058365 A1 * 3/2007 Anderson et al. 362/198

(**) Term: **14 Years**

* cited by examiner

(21) Appl. No.: **29/462,433**

Primary Examiner — Susan Krakower

Assistant Examiner — Linda Brooks

(22) Filed: **Aug. 3, 2013**

(74) *Attorney, Agent, or Firm* — QuickPatents; Kevin Prince

(57) **CLAIM**

I claim the ornamental design for a cordless rechargeable LED light, as shown and described.

Related U.S. Application Data

DESCRIPTION

(63) Continuation-in-part of application No. 29/436,156,
filed on Nov. 1, 2012, now Pat. No. Des. 687,997.

(51) **LOC (10) Cl.** **26-05**

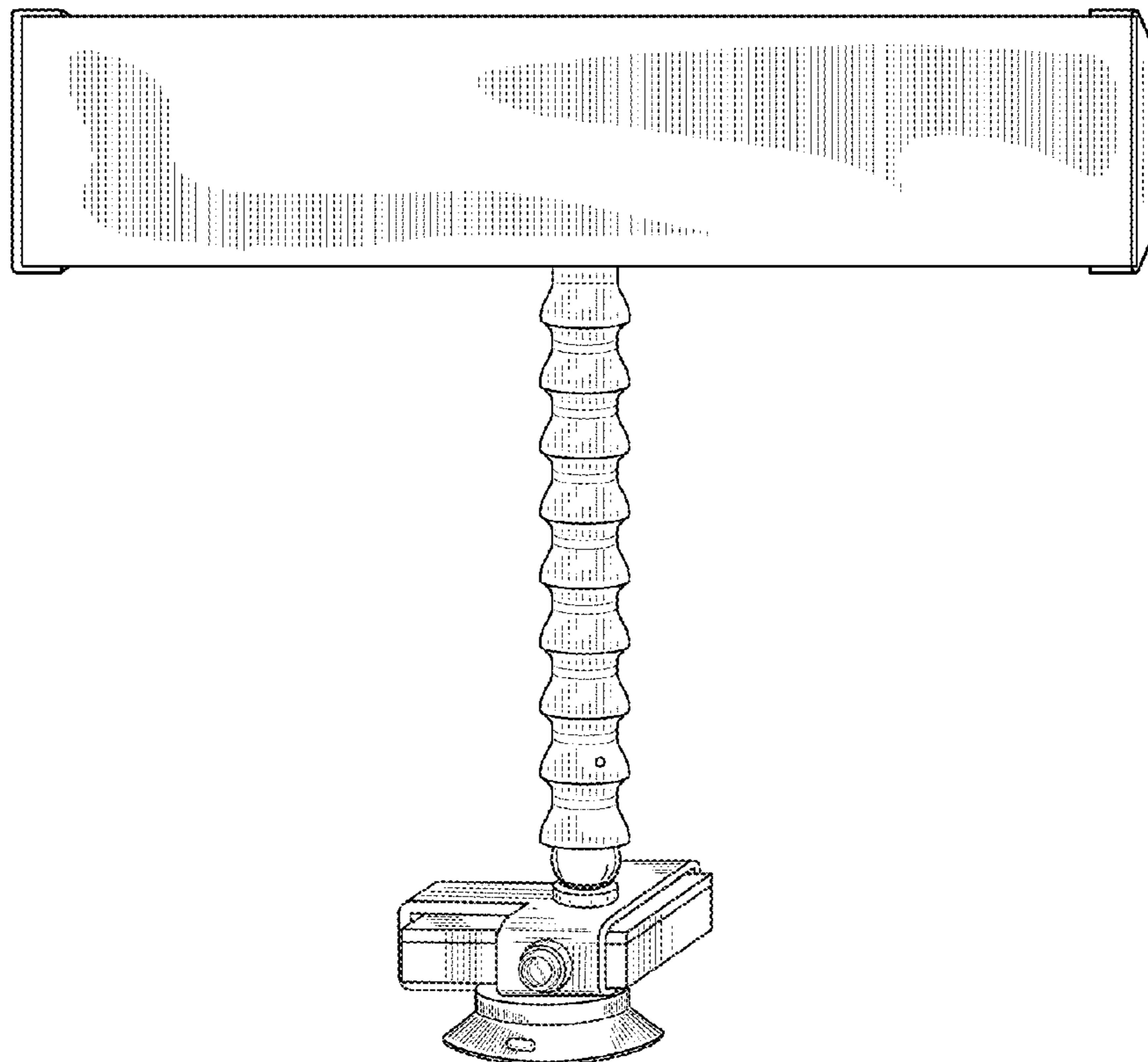
(52) **U.S. Cl.**
USPC **D26/62**

(58) **Field of Classification Search**
USPC D26/60, 62, 106–109; 362/311.02, 800,
362/285, 418, 427, 217.01, 217.02, 414,
362/183, 397, 220, 267–284, 287, 288

FIG. 1 is a front perspective view of a cordless rechargeable LED light, showing my new design;
FIG. 2 is a front elevational view thereof;
FIG. 3 is a rear elevational view thereof;
FIG. 4 is a left-side elevational view thereof;
FIG. 5 is a right-side elevational view thereof;
FIG. 6 is a top plan view thereof; and,
FIG. 7 is a bottom plan view thereof.

See application file for complete search history.

1 Claim, 4 Drawing Sheets



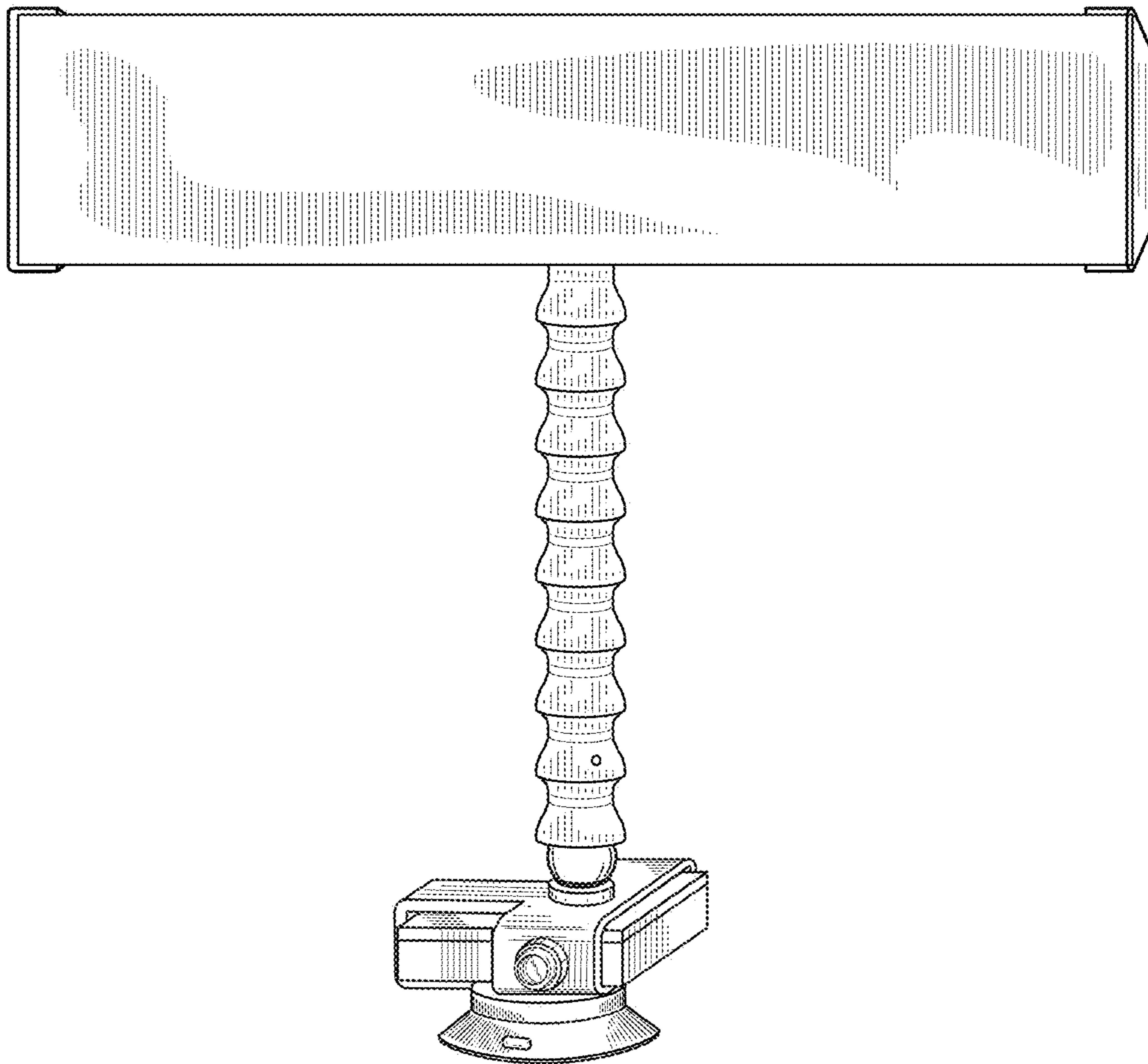


FIG. 1

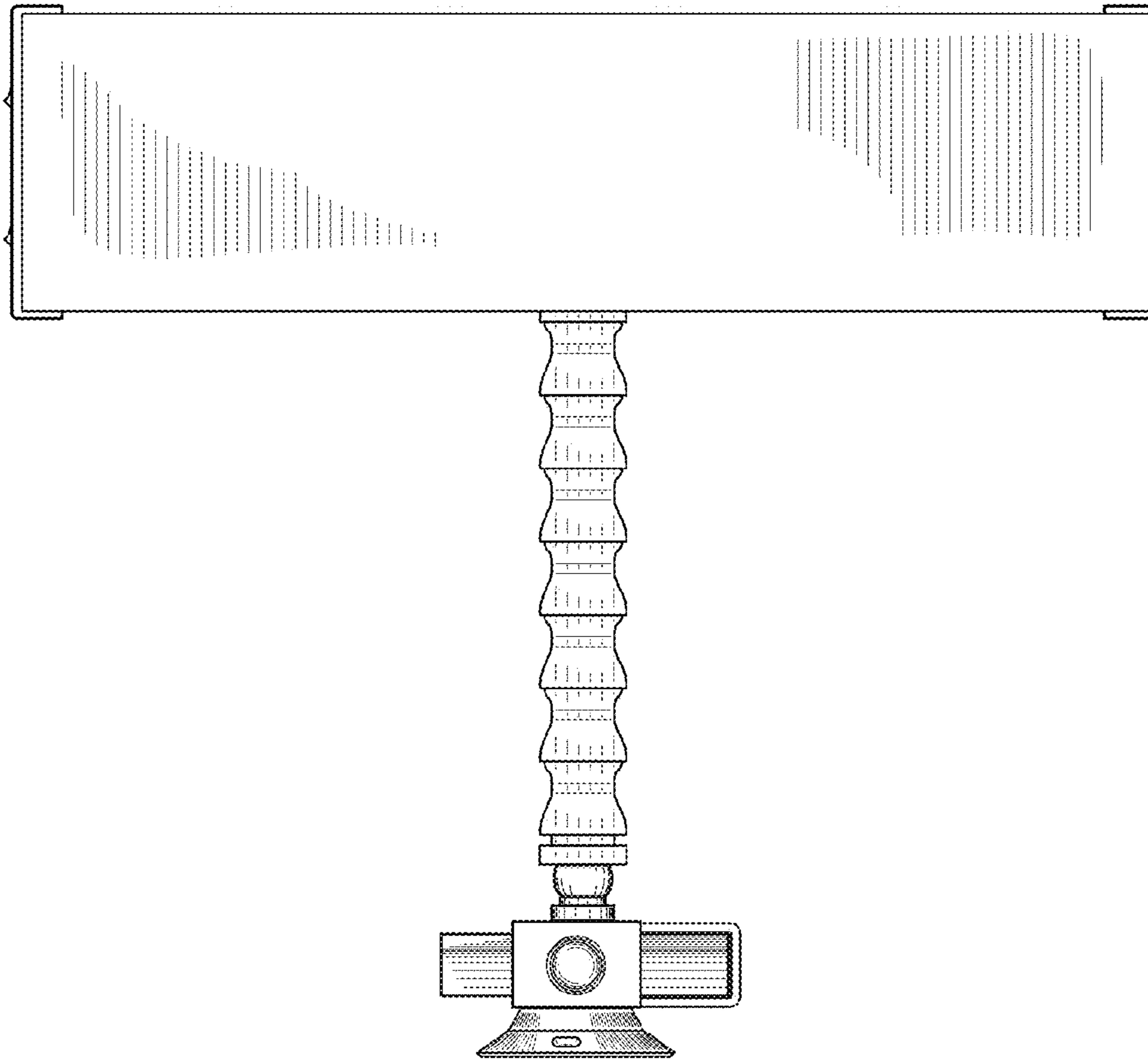


FIG. 2

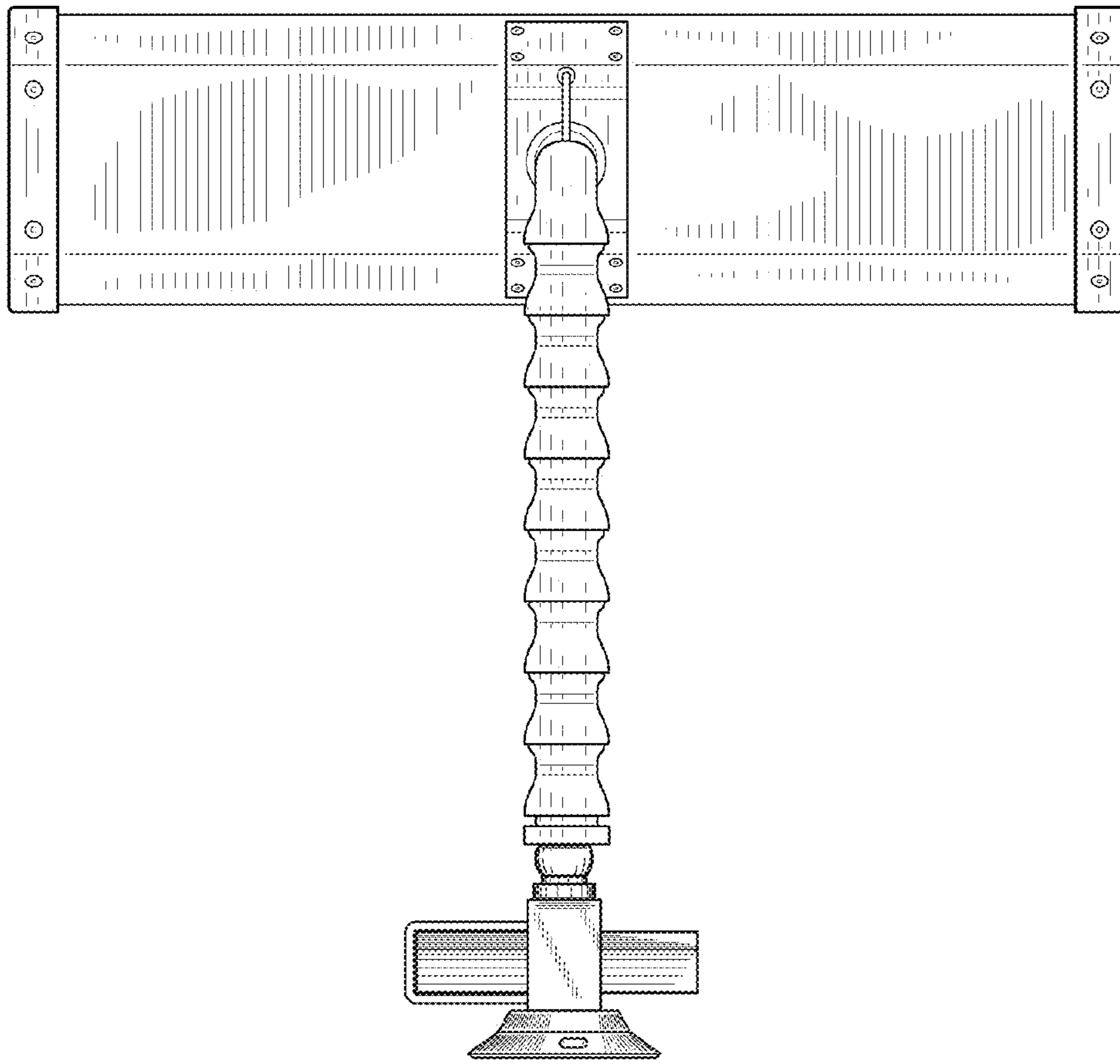


FIG. 3

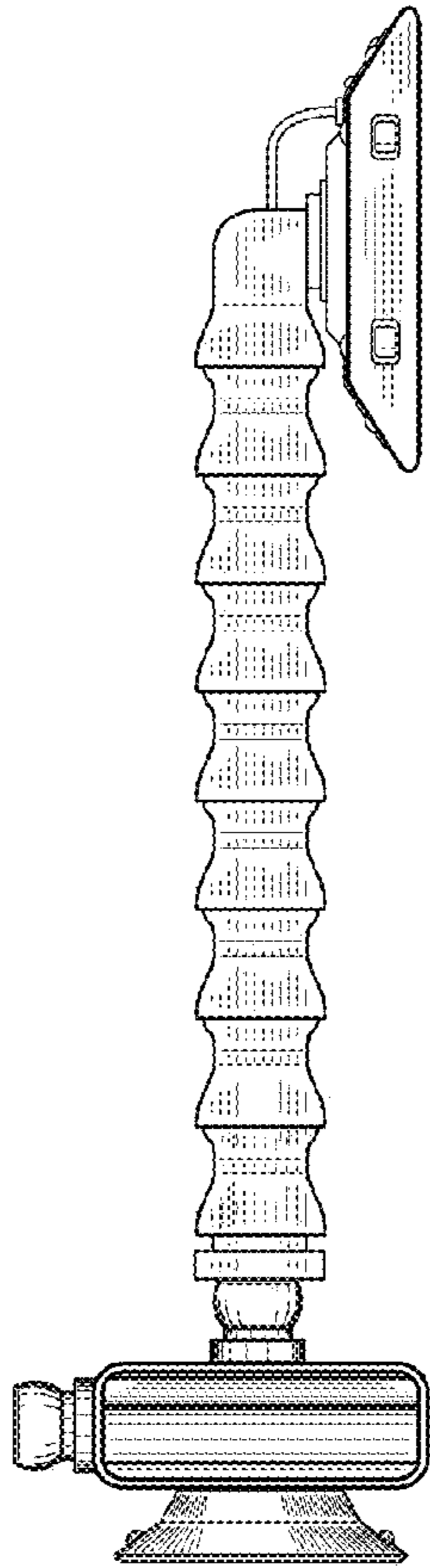


FIG. 4

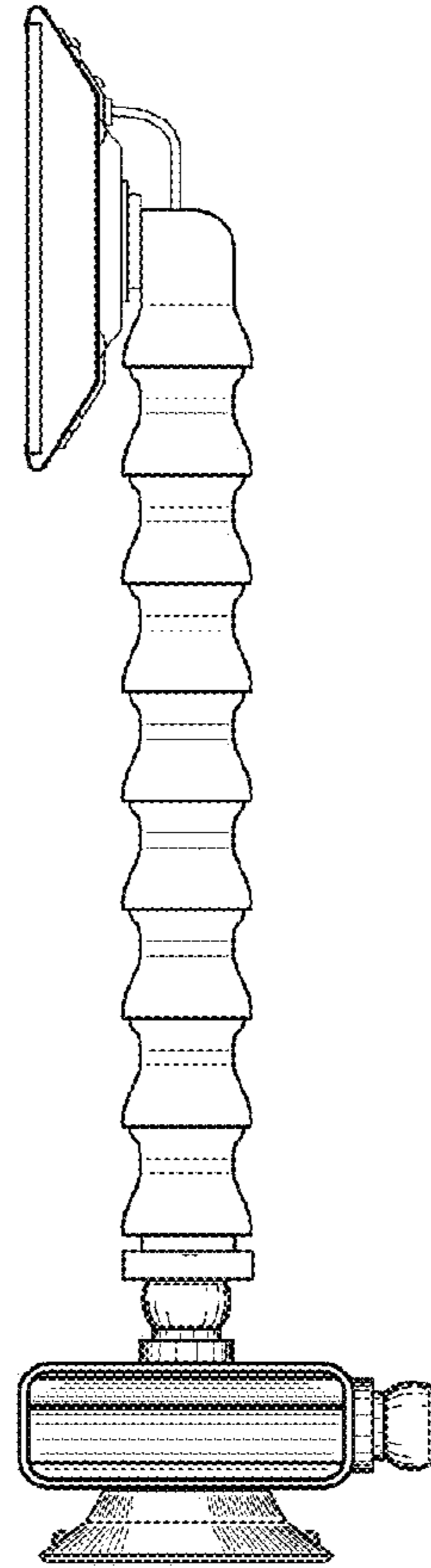


FIG. 5

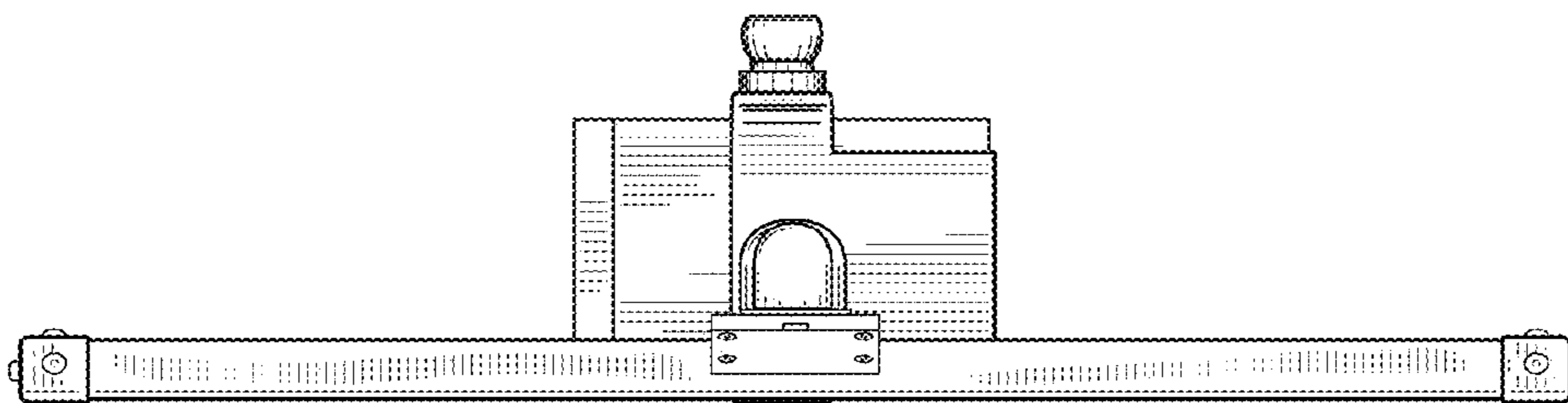


FIG. 6

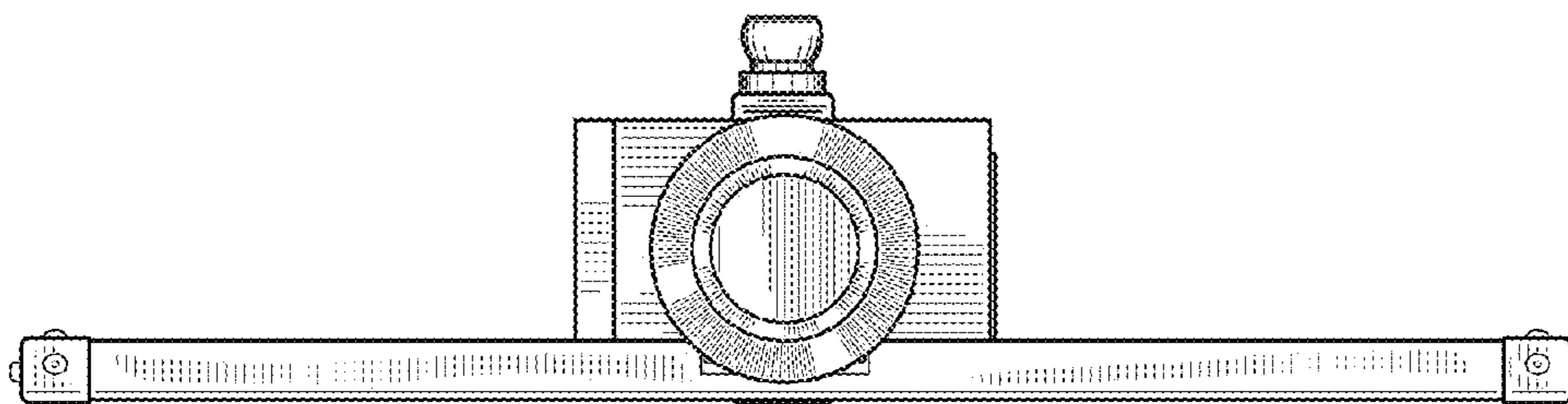


FIG. 7