



US00D705468S

(12) **United States Design Patent**
Tompkin

(10) **Patent No.:** **US D705,468 S**

(45) **Date of Patent:** **** May 20, 2014**

(54) **TRIPOD FLASHLIGHT**

(71) Applicant: **MerchSource, LLC**, Foothill Ranch, CA (US)

(72) Inventor: **Crispian Tompkin**, Los Angeles, CA (US)

(73) Assignee: **MerchSource, LLC**, Irvine, CA (US)

(**) Term: **14 Years**

(21) Appl. No.: **29/435,263**

(22) Filed: **Oct. 22, 2012**

(51) **LOC (10) Cl.** **26-02**

(52) **U.S. Cl.**
USPC **D26/44**

(58) **Field of Classification Search**
USPC D26/37, 38, 44, 45, 46, 49, 51;
362/157, 158, 183, 184, 194-208
See application file for complete search history.

(56) **References Cited**

U.S. PATENT DOCUMENTS

4,447,863	A	5/1984	Fenne	
5,142,467	A	8/1992	Yuen	
5,384,609	A	1/1995	Ogawa et al.	
D505,218	S *	5/2005	Van Deursen	D26/49
D546,489	S *	7/2007	Yuen	D26/42
D554,788	S *	11/2007	Chapman	D26/49
7,296,909	B2	11/2007	Van Deursen et al.	
D562,480	S *	2/2008	Spartano et al.	D26/46
7,342,360	B2	3/2008	Van Deursen et al.	
D577,450	S *	9/2008	Shiu	D26/49
D593,240	S *	5/2009	Caniparoli	D26/49
D607,591	S *	1/2010	Rivera et al.	D26/49
D610,728	S *	2/2010	Baker et al.	D26/49
D623,785	S *	9/2010	Wessel	D26/49
D632,411	S *	2/2011	Vanderbeek	D26/48

D646,007	S *	9/2011	Tompkin	D26/46
8,087,797	B2 *	1/2012	Pelletier et al.	362/205
8,262,248	B2 *	9/2012	Wessel	362/198
D687,583	S *	8/2013	von Waldthausen	D26/46
D693,951	S *	11/2013	Rugendyke et al.	D26/46
2003/0067771	A1	4/2003	Kung	
2010/0182777	A1	7/2010	Van Deursen	

* cited by examiner

Primary Examiner — Ian Simmons

Assistant Examiner — Carissa C Fitts

(74) *Attorney, Agent, or Firm* — The Eclipse Group LLP

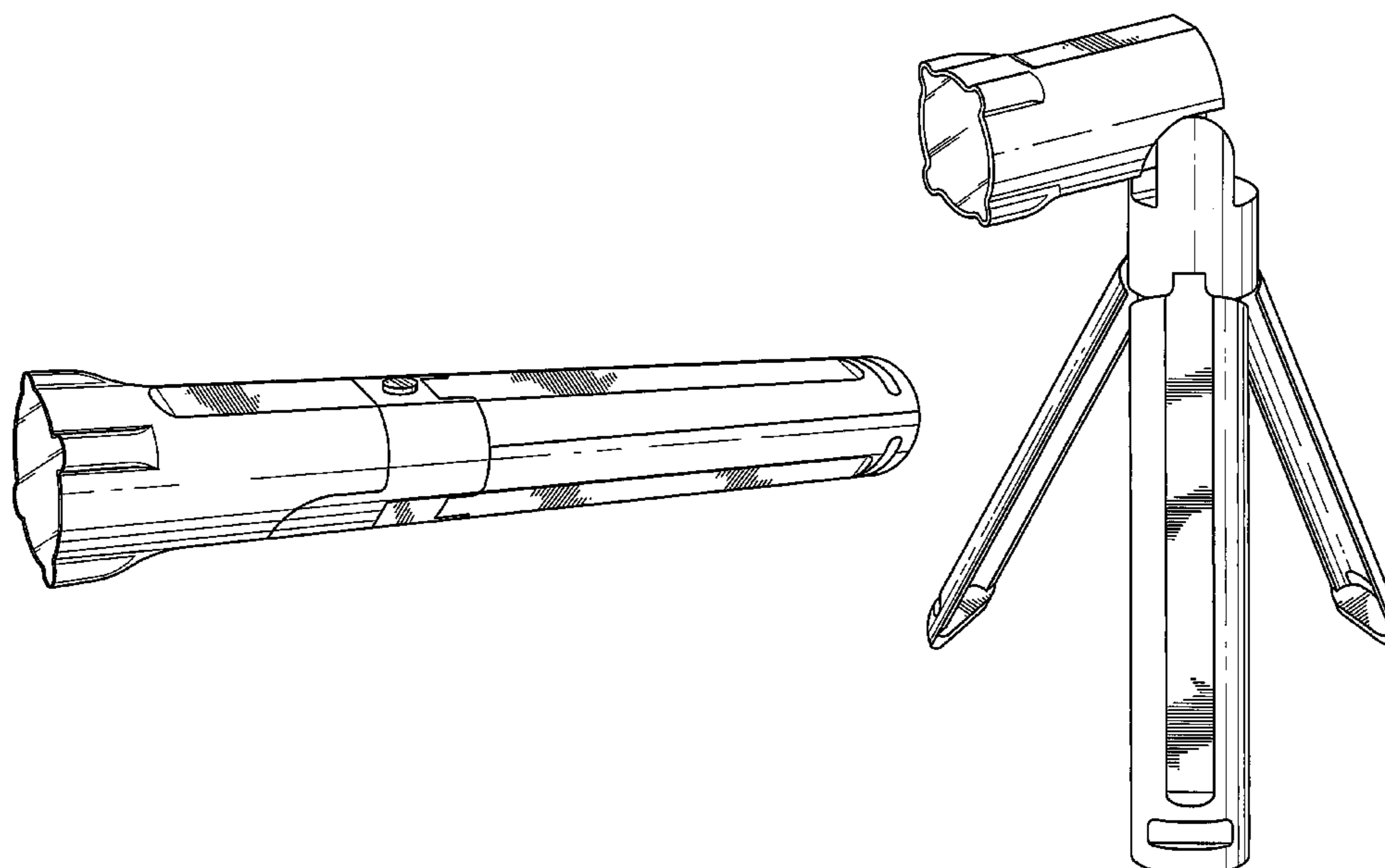
(57) **CLAIM**

I claim the ornamental design for a tripod flashlight, as shown and described.

DESCRIPTION

FIG. 1 is a perspective view of a tripod flashlight.
 FIG. 2 is a top view of the tripod flashlight as illustrated in FIG. 1.
 FIG. 3 is a left side elevation view of the tripod flashlight as illustrated in FIG. 1.
 FIG. 4 is a bottom view of the tripod flashlight as illustrated in FIG. 1.
 FIG. 5 is a right side elevation view of the tripod flashlight as illustrated in FIG. 1.
 FIG. 6 is a front view of the tripod flashlight as illustrated in FIG. 1.
 FIG. 7 is a rear view of the tripod flashlight as illustrated in FIG. 1.
 FIG. 8 is front perspective view of the tripod flashlight showing the legs of the tripod in an open position; and,
 FIG. 9 is a rear perspective view of the tripod flashlight showing the legs of the tripod in an open position.
 The dashed lines in various figures are for illustrative purposes only and form no part of the claimed design.

1 Claim, 5 Drawing Sheets



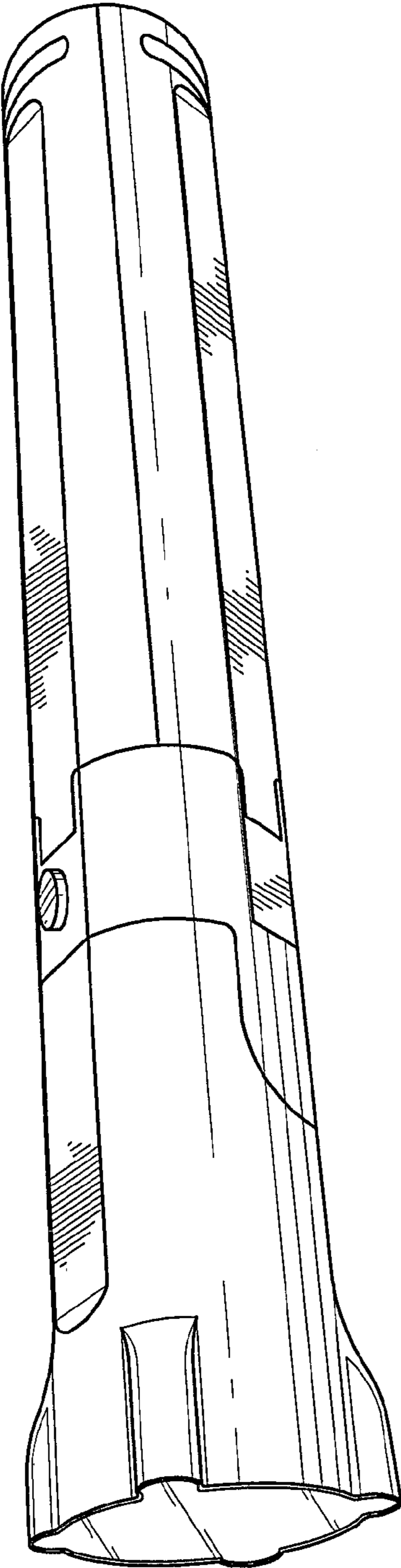


FIG. 1

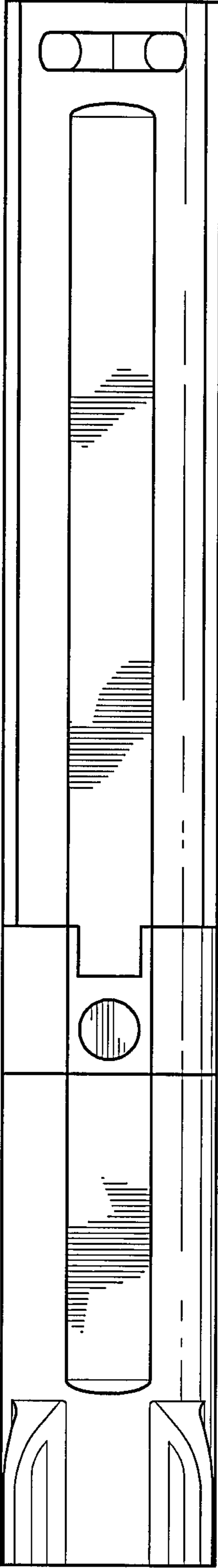


FIG. 2

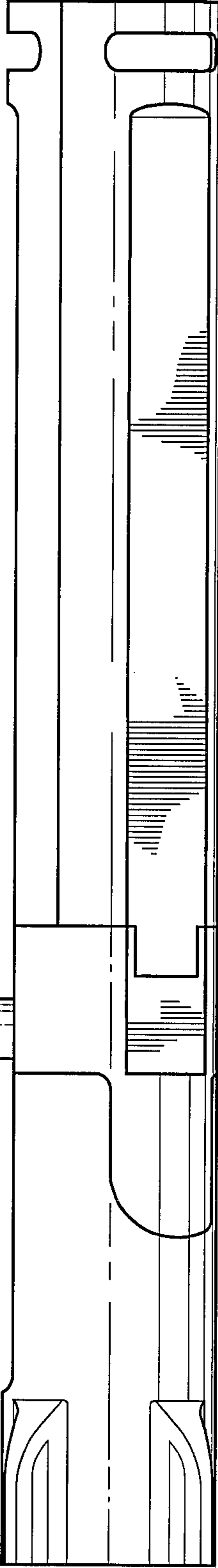


FIG. 3

FIG. 4

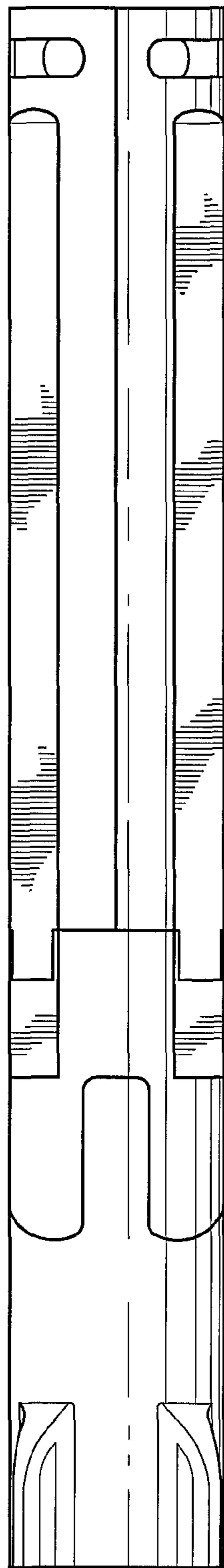


FIG. 5

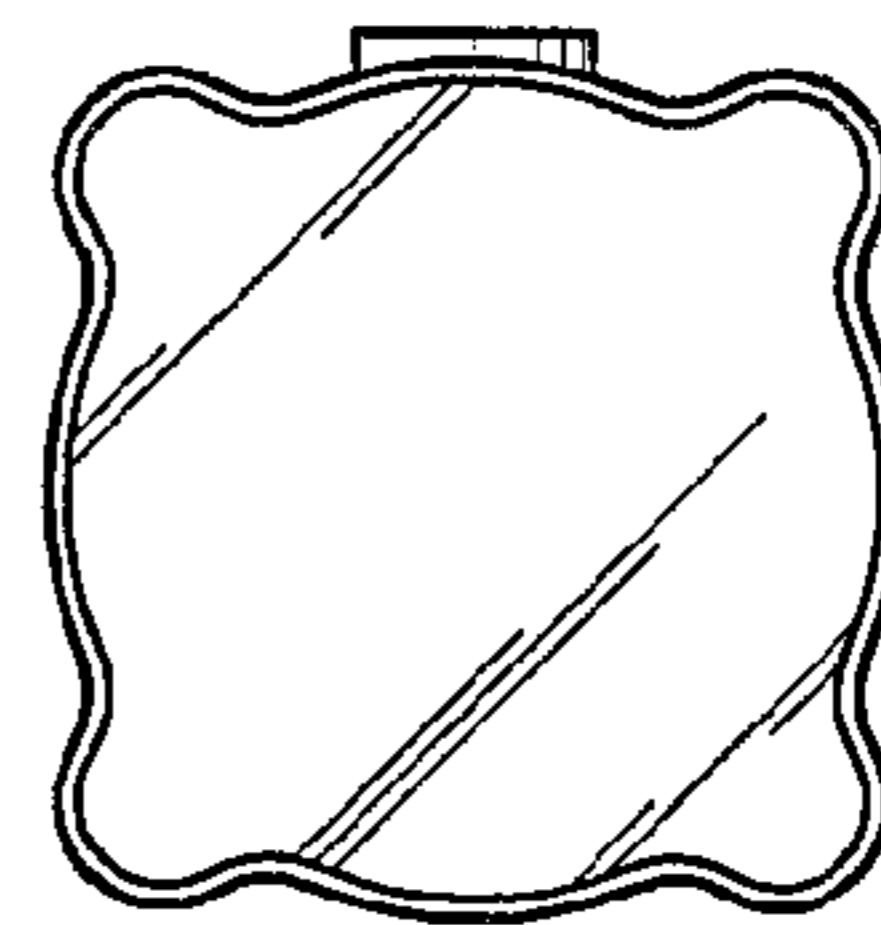
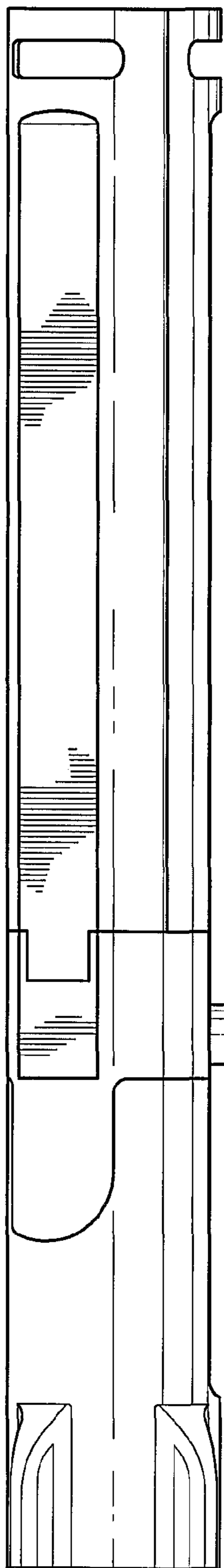


FIG. 6

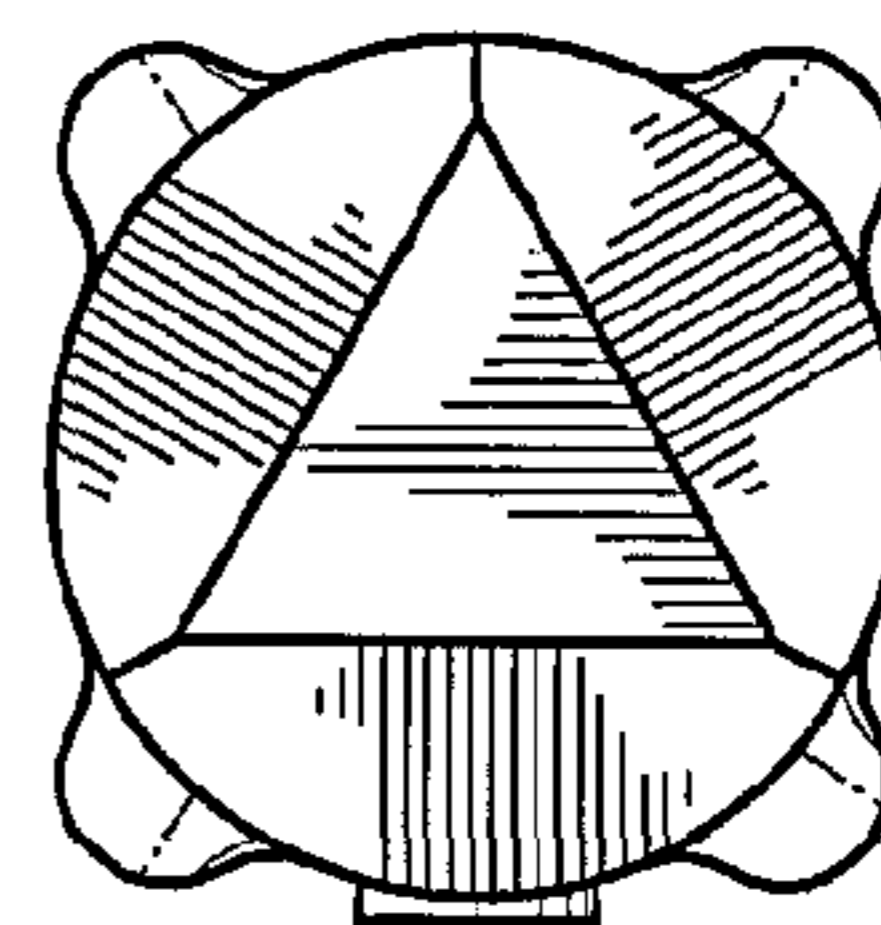


FIG. 7

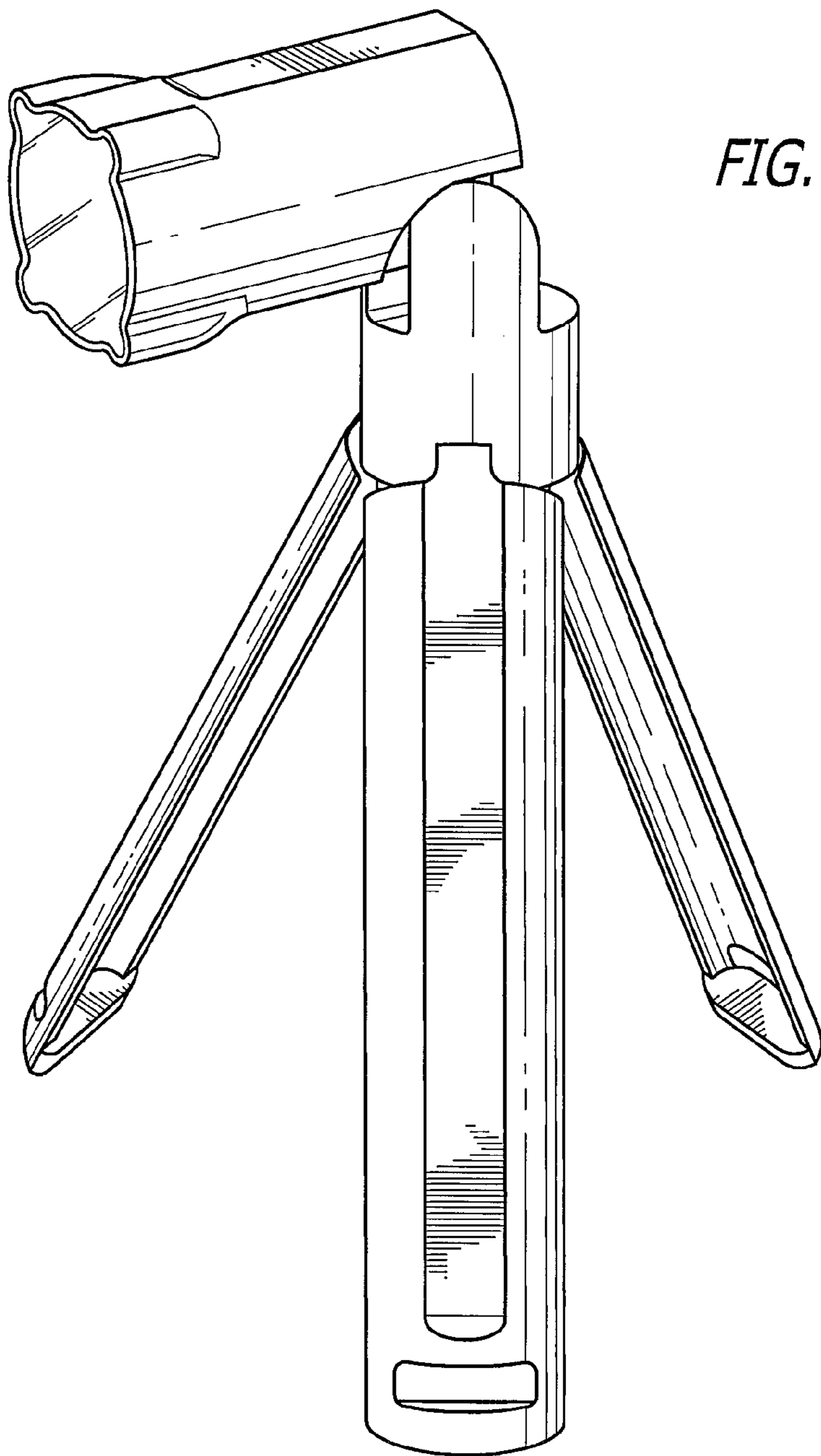


FIG. 8

FIG. 9

