



US00D705467S

(12) **United States Design Patent**
Aglassinger

(10) **Patent No.:** **US D705,467 S**

(45) **Date of Patent:** **** May 20, 2014**

(54) **LUMINAIRE**

(75) Inventor: **Peter Aglassinger**, Esslingen (DE)

(73) Assignee: **Osram AG**, Munich (DE)

(**) Term: **14 Years**

(21) Appl. No.: **29/430,563**

(22) Filed: **Aug. 28, 2012**

(30) **Foreign Application Priority Data**

Mar. 7, 2012 (EM) 002004465

(51) **LOC (10) Cl.** **26-02**

(52) **U.S. Cl.**
USPC **D26/41**

(58) **Field of Classification Search**
USPC D26/37, 38, 40, 41, 42; 362/157, 158,
362/171-174, 183, 184, 194-196, 200-208,
362/253

See application file for complete search history.

(56) **References Cited**

U.S. PATENT DOCUMENTS

D288,371 S * 2/1987 Lacher et al. D26/50
D342,800 S * 12/1993 Petterson et al. D26/41
D372,997 S * 8/1996 Meoli D26/42

D434,863 S * 12/2000 Boessel D26/26
D437,432 S * 2/2001 Meoli, Jr. D26/37
D439,689 S * 3/2001 Yuen D26/42
D524,962 S * 7/2006 Farmer D26/37
D535,419 S * 1/2007 Shiu D26/40
D541,961 S * 5/2007 Tarter et al. D26/40
D569,536 S * 5/2008 Henderson D26/37
D621,536 S * 8/2010 Lee D26/41
D622,879 S * 8/2010 Kotsis et al. D26/37
D643,560 S * 8/2011 Tompkin D26/40
D677,412 S * 3/2013 Smith D26/37

* cited by examiner

Primary Examiner — Ian Simmons
Assistant Examiner — Carissa C Fitts

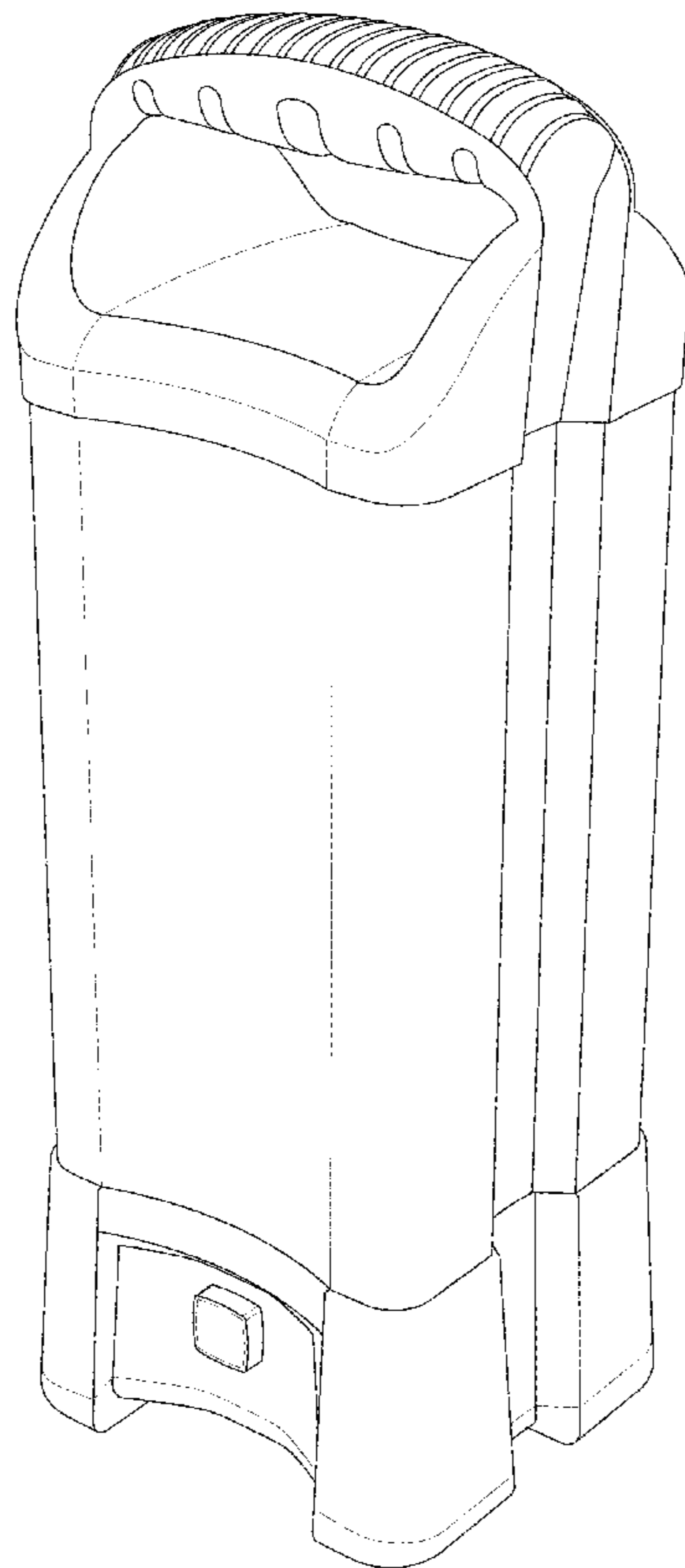
(57) **CLAIM**

The ornamental design for a luminaire, as shown and described.

DESCRIPTION

FIG. 1 is a perspective front right side view of the luminaire
FIG. 2 is a left side view of the luminaire
FIG. 3 is a right side view of the luminaire
FIG. 4 is a front view of the luminaire
FIG. 5 is a back view of the luminaire
FIG. 6 is a top view of the luminaire; and,
FIG. 7 is a bottom view of the luminaire.
The broken line showing is for environmental purposes only
and forms no part of the claimed design.

1 Claim, 7 Drawing Sheets



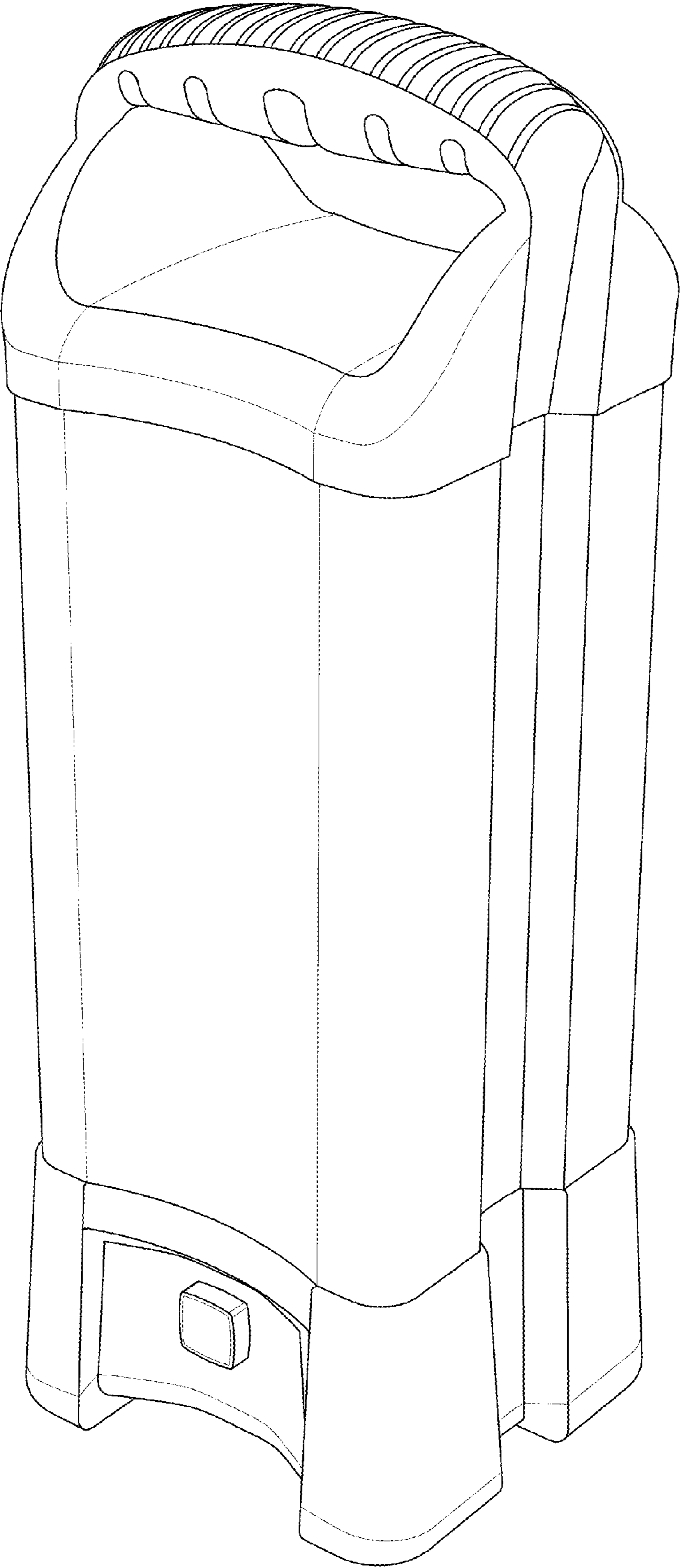


Fig. 1

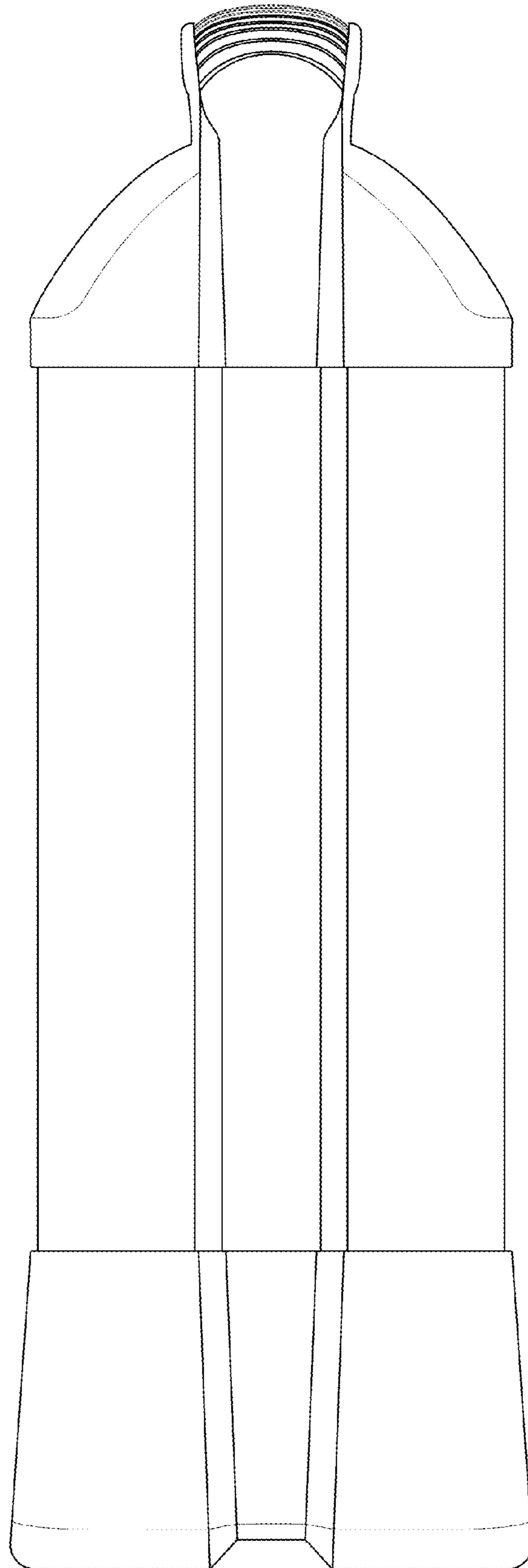


Fig. 2

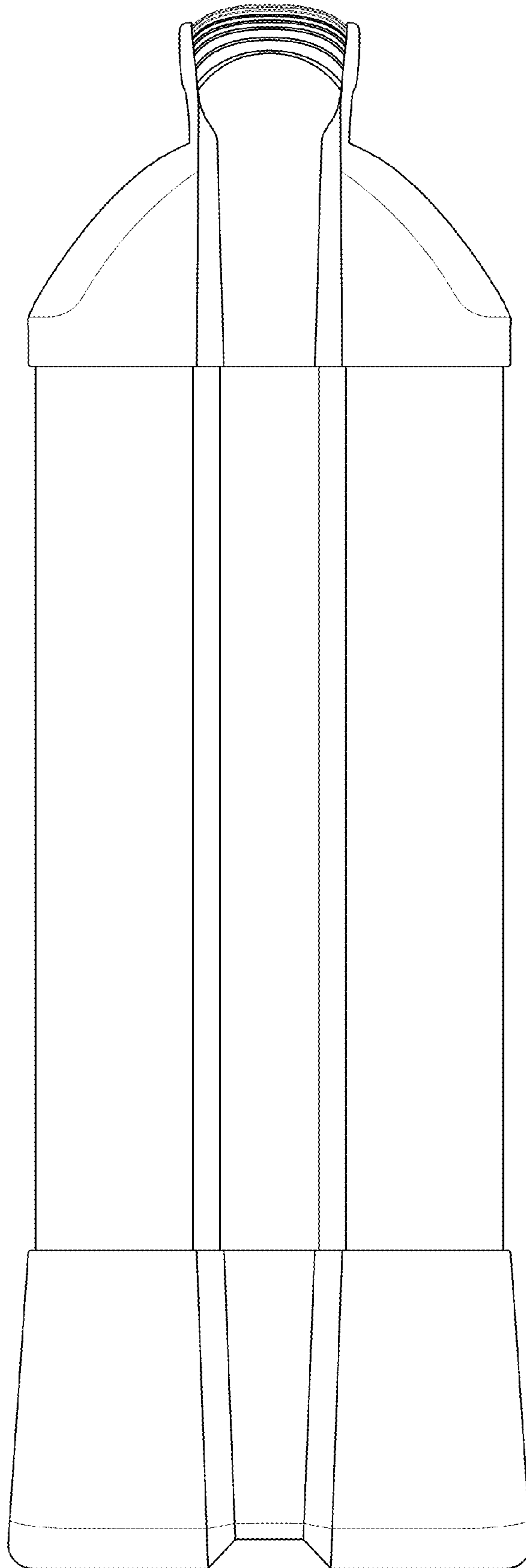


Fig. 3

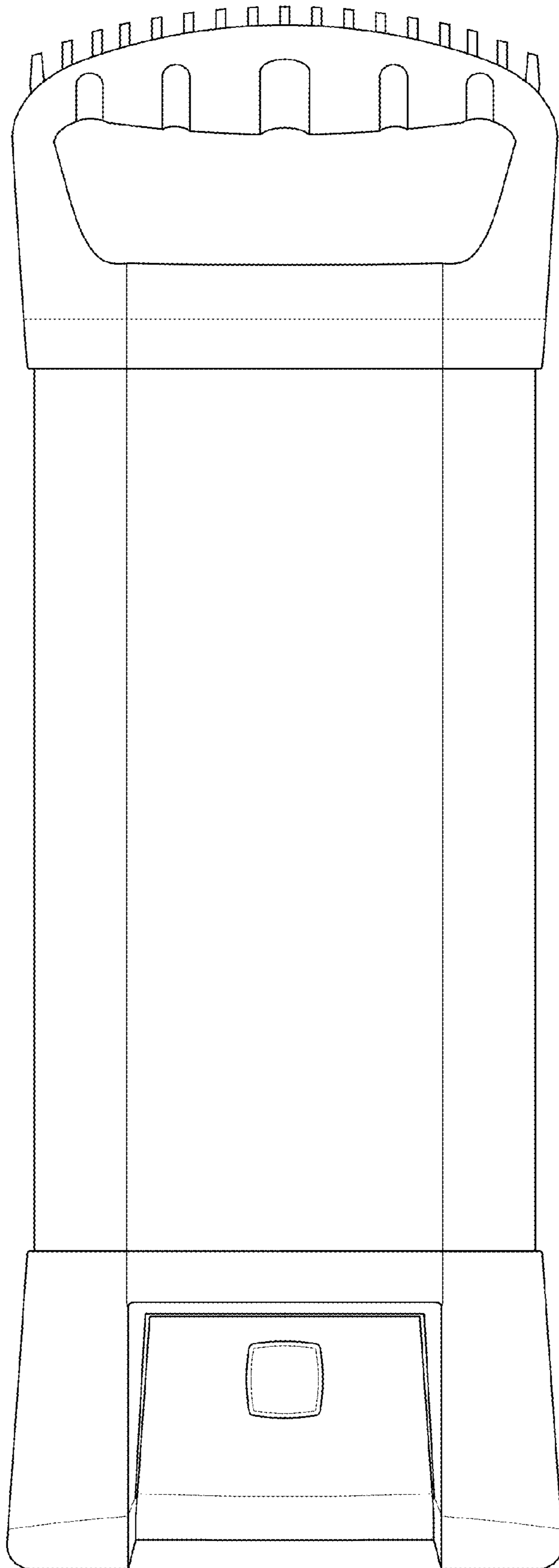


Fig. 4

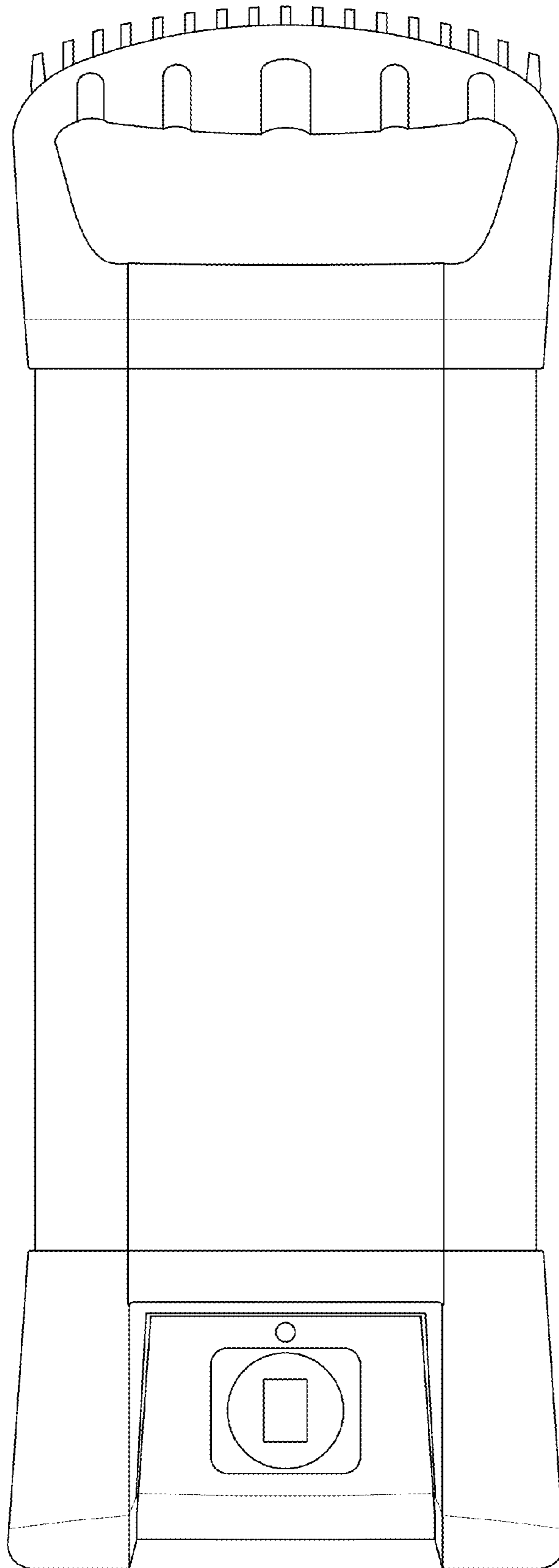


Fig. 5

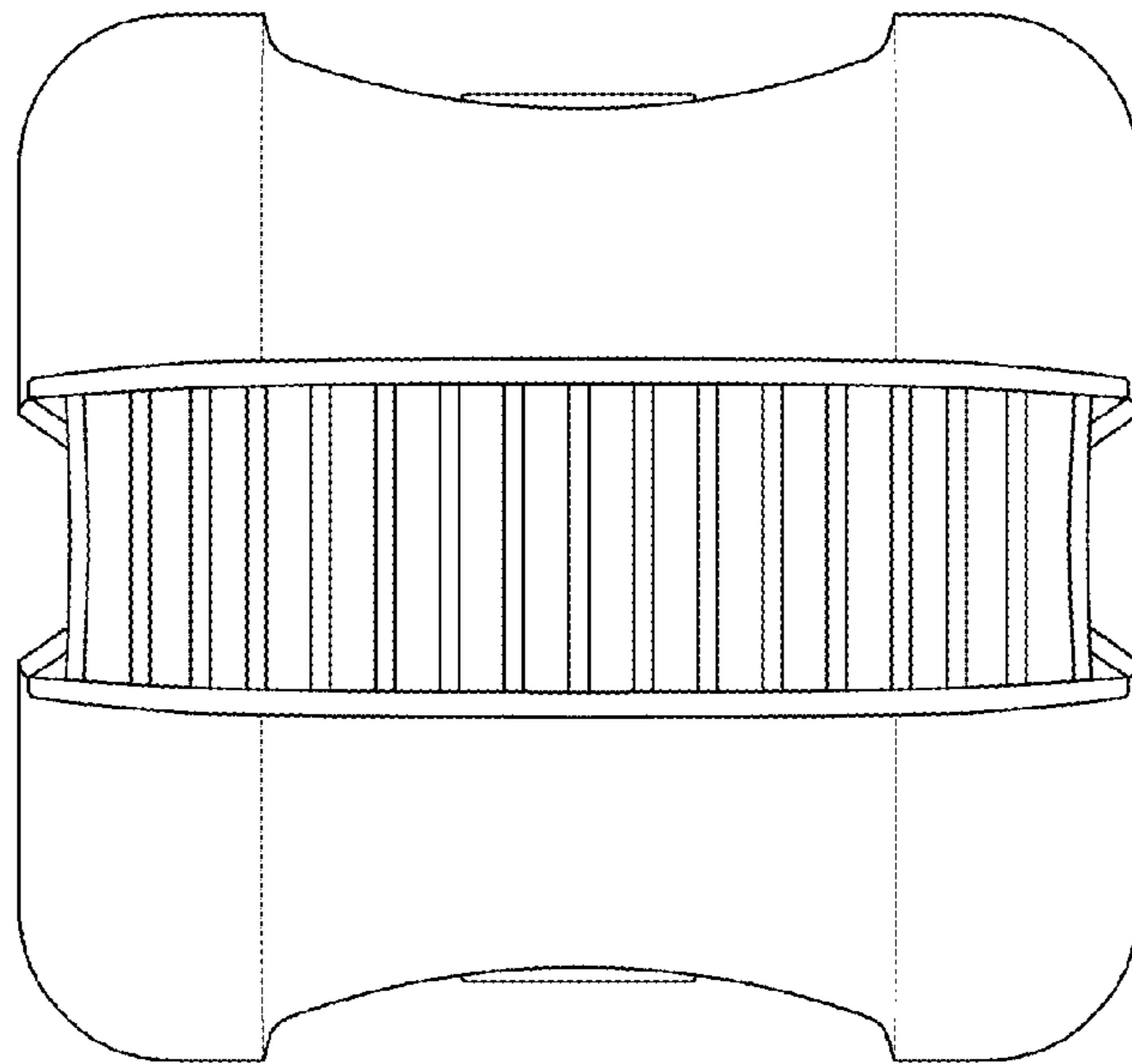


Fig. 6

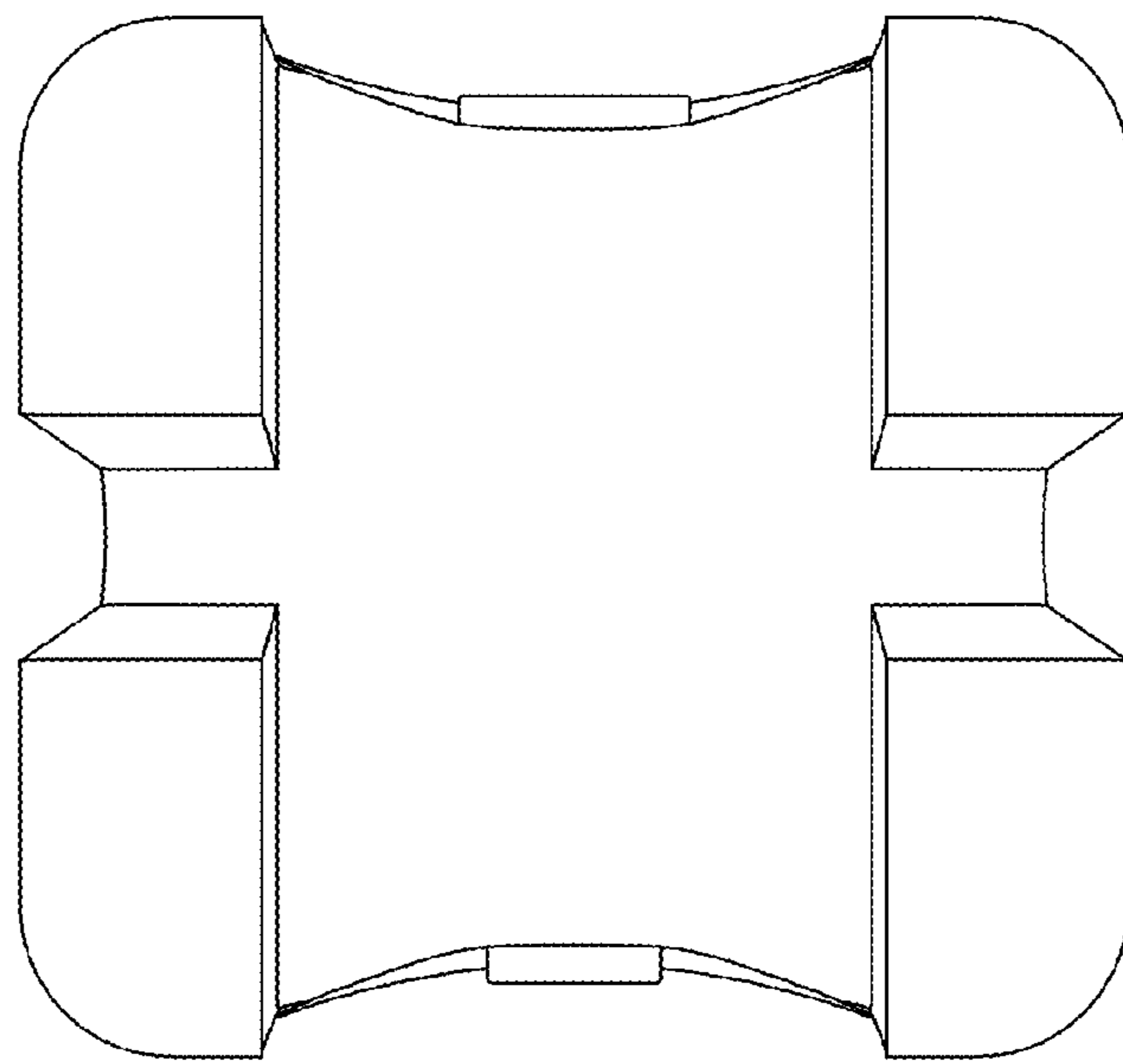


Fig. 7

UNITED STATES PATENT AND TRADEMARK OFFICE
CERTIFICATE OF CORRECTION

PATENT NO. : D705,467 S
APPLICATION NO. : 29/430563
DATED : May 20, 2014
INVENTOR(S) : Peter Aglassinger

Page 1 of 3

It is certified that error appears in the above-identified patent and that said Letters Patent is hereby corrected as shown below:

In the Drawings

Please replace Fig. 5 and Fig. 6 with attached pages.

Signed and Sealed this
Twenty-fifth Day of August, 2015



Michelle K. Lee
Director of the United States Patent and Trademark Office

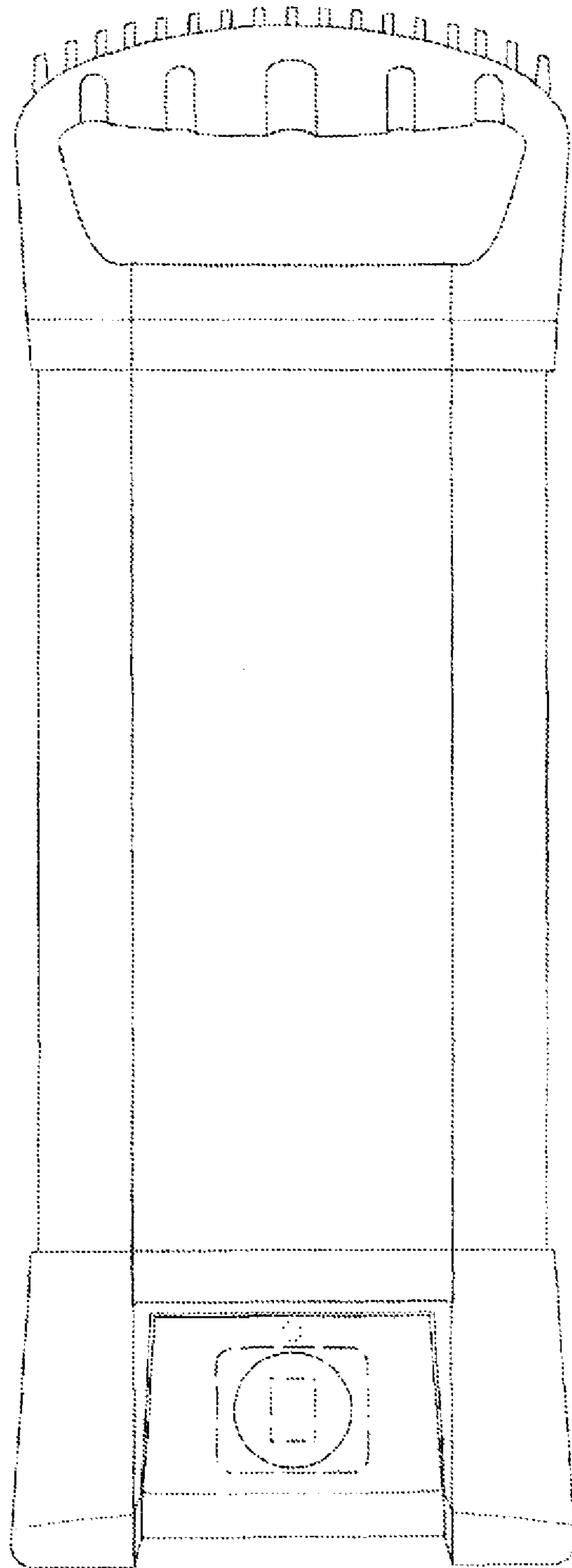


Fig. 5

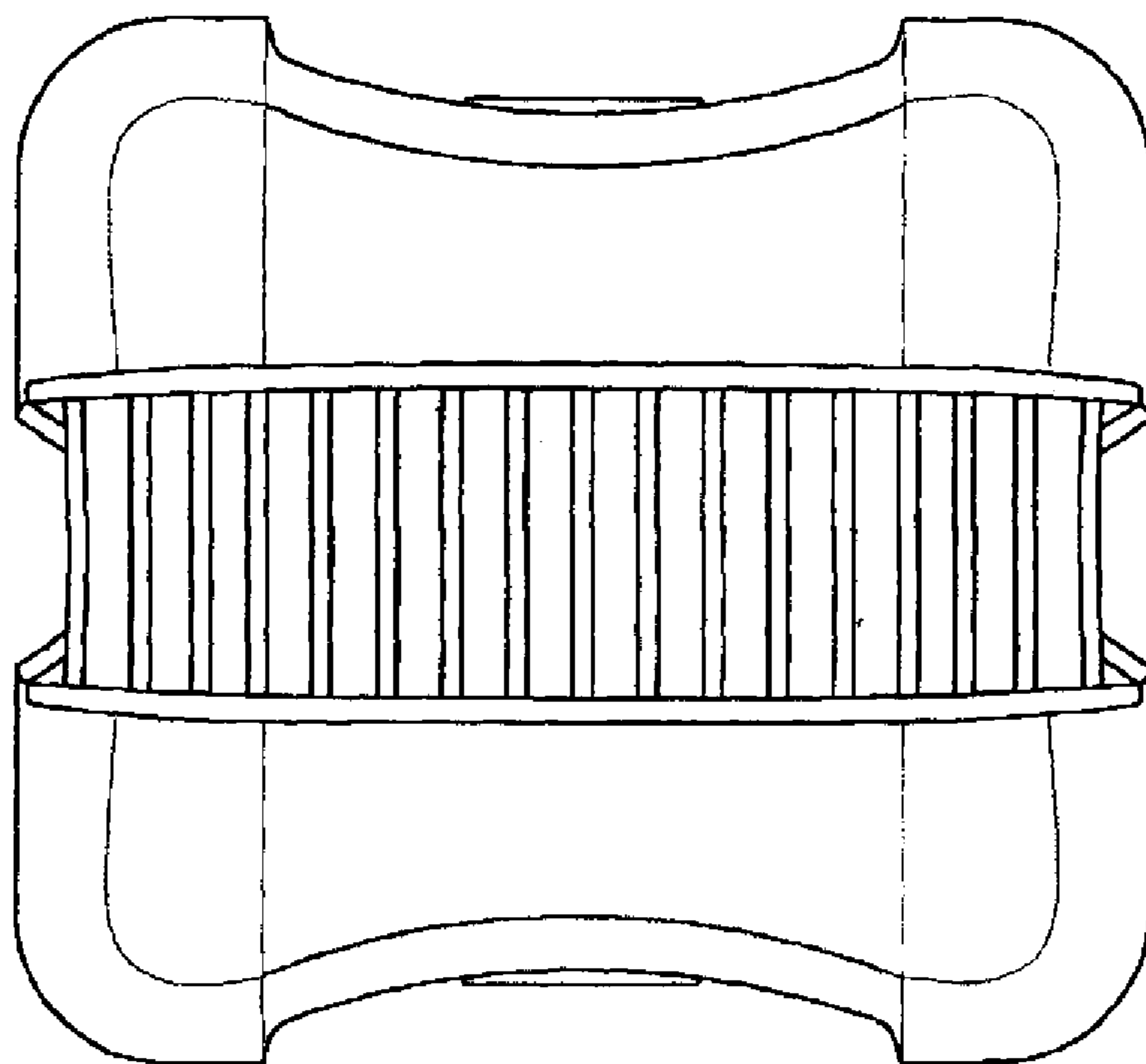


Fig. 6