



US00D705462S

(12) **United States Design Patent**  
**Hildebrand et al.**

(10) **Patent No.:** **US D705,462 S**

(45) **Date of Patent:** **\*\* May 20, 2014**

(54) **VEHICLE REAR LIGHT**

(75) Inventors: **Gert Volker Hildebrand**, Munich (DE);  
**Philipp Eberl**, Graz (AT)

(73) Assignee: **Qoros Automotive Co., Ltd.**, Changshu,  
Jiangsu Province (CN)

(\*\*) Term: **14 Years**

(21) Appl. No.: **29/419,636**

(22) Filed: **Apr. 30, 2012**

(30) **Foreign Application Priority Data**

Nov. 9, 2011 (CN) ..... 2011 3 0432005

(51) **LOC (10) Cl.** ..... **26-06**

(52) **U.S. Cl.**  
USPC ..... **D26/28**

(58) **Field of Classification Search**  
USPC ..... D26/28-36; 362/459-468, 475-478,  
362/485-487  
See application file for complete search history.

(56) **References Cited**

**U.S. PATENT DOCUMENTS**

D541,445 S \* 4/2007 Lin ..... D26/28  
D549,363 S \* 8/2007 Pfeiffer ..... D26/28

D552,769 S \* 10/2007 Leclercq ..... D26/28  
D553,269 S \* 10/2007 Pfeiffer et al. .... D26/28  
D570,015 S \* 5/2008 Hsu ..... D26/28  
D574,524 S \* 8/2008 Tomatsu ..... D26/28  
D605,793 S \* 12/2009 Weil ..... D26/28

\* cited by examiner

*Primary Examiner* — Marcus Jackson

(57) **CLAIM**

The ornamental design for a vehicle rear light, as shown and described.

**DESCRIPTION**

FIG. 1 is a front view of a vehicle rear light.  
FIG. 2 is a rear view of the vehicle rear light of FIG. 1.  
FIG. 3 is a left side view of the vehicle rear light of FIG. 1.  
FIG. 4 is a right side view of the vehicle rear light of FIG. 1.  
FIG. 5 is a top view of the vehicle rear light of FIG. 1.  
FIG. 6 is a bottom view of the vehicle rear light of FIG. 1.  
FIG. 7 is a front right perspective view of the vehicle rear light of FIG. 1; and,  
FIG. 8 is a front left perspective view of the vehicle rear light of FIG. 1.

**1 Claim, 6 Drawing Sheets**

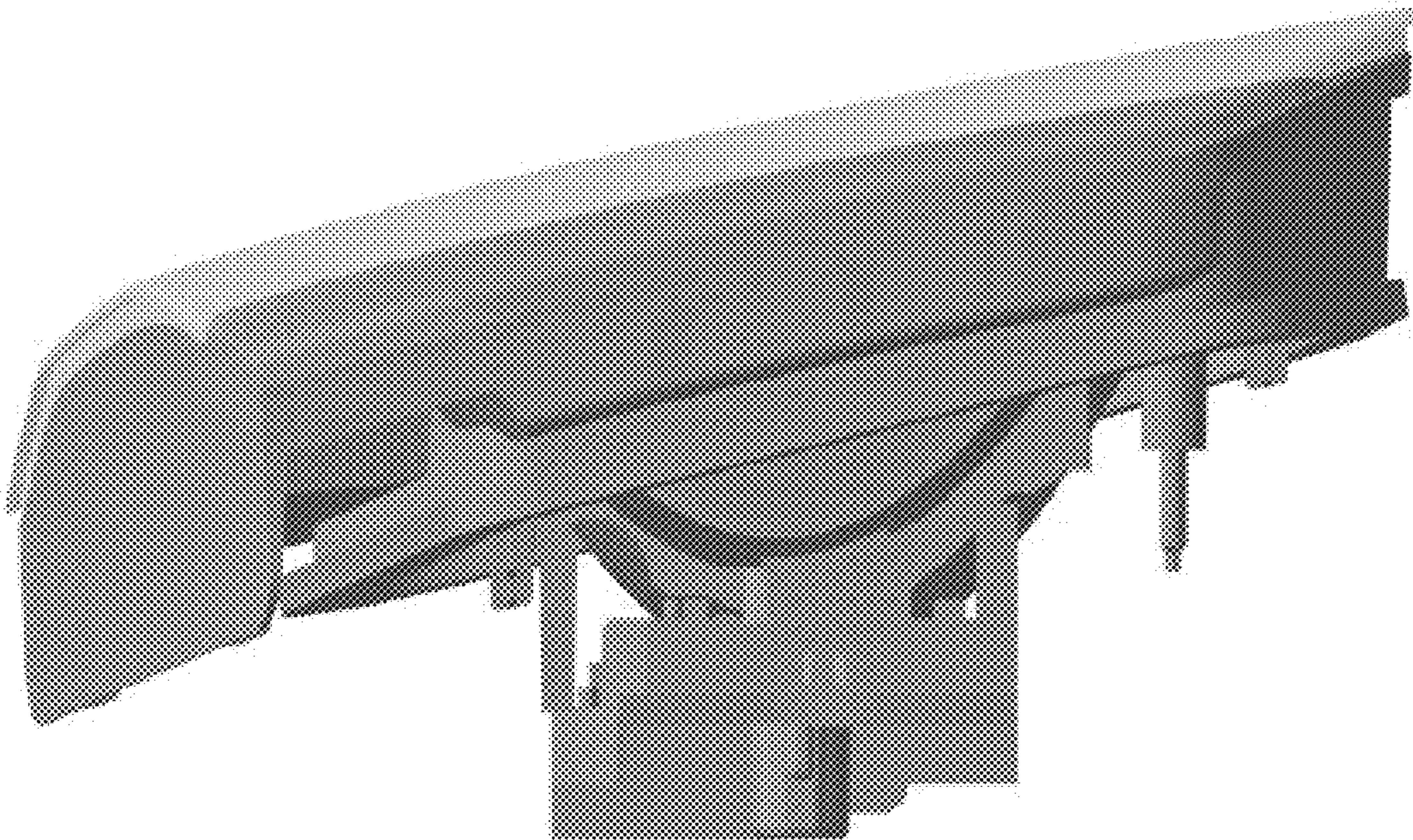


FIG. 1

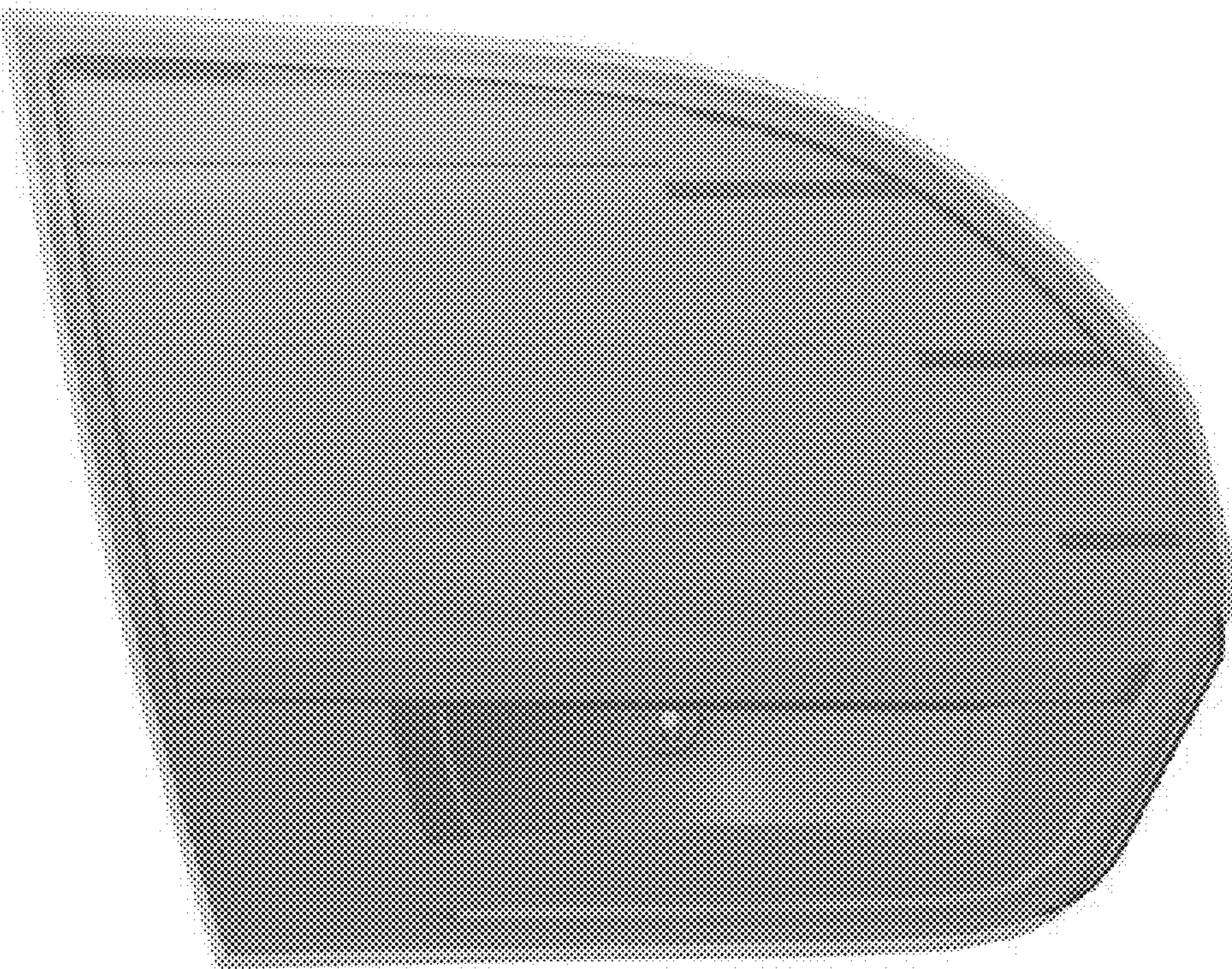


FIG. 2

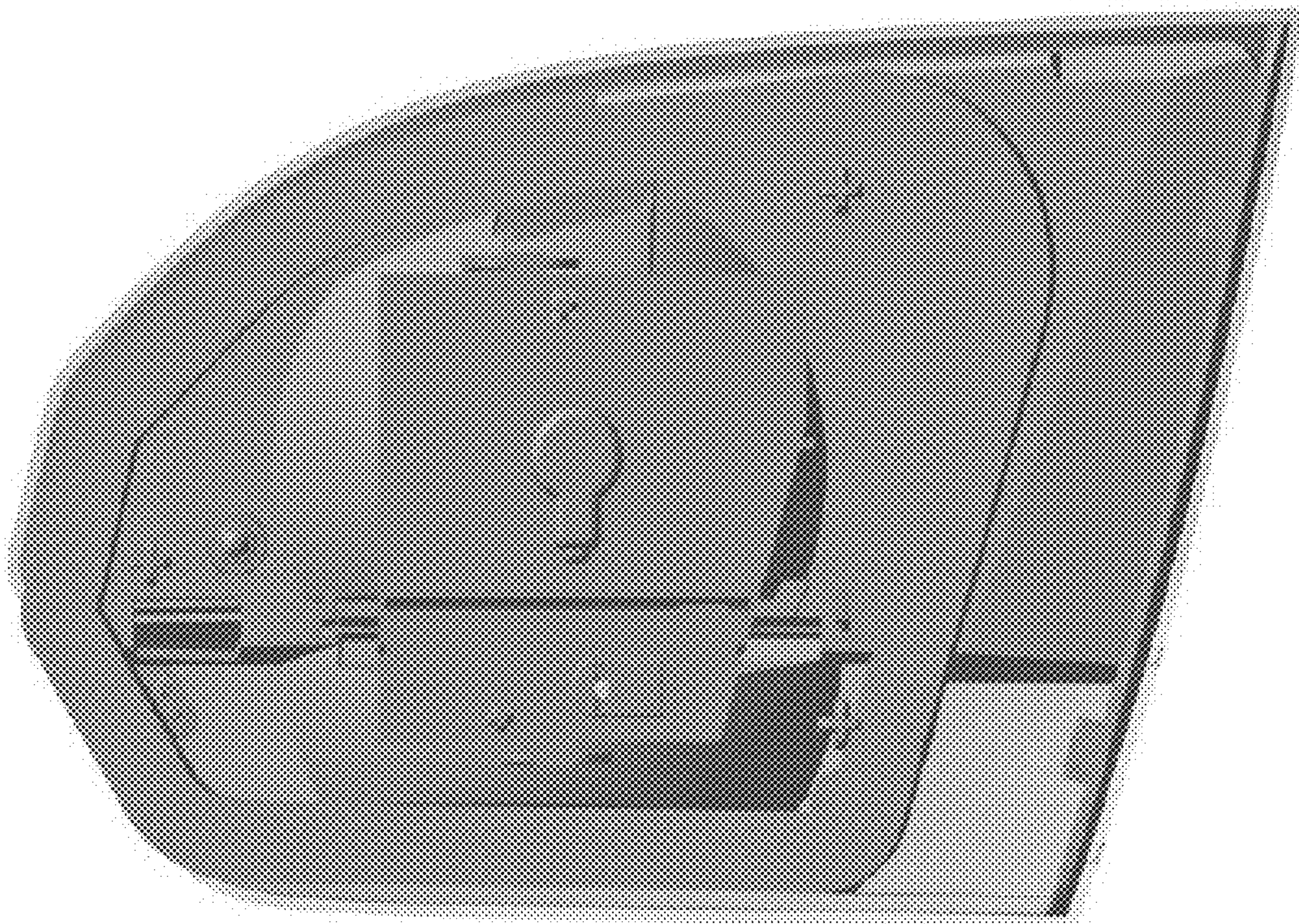


FIG. 3

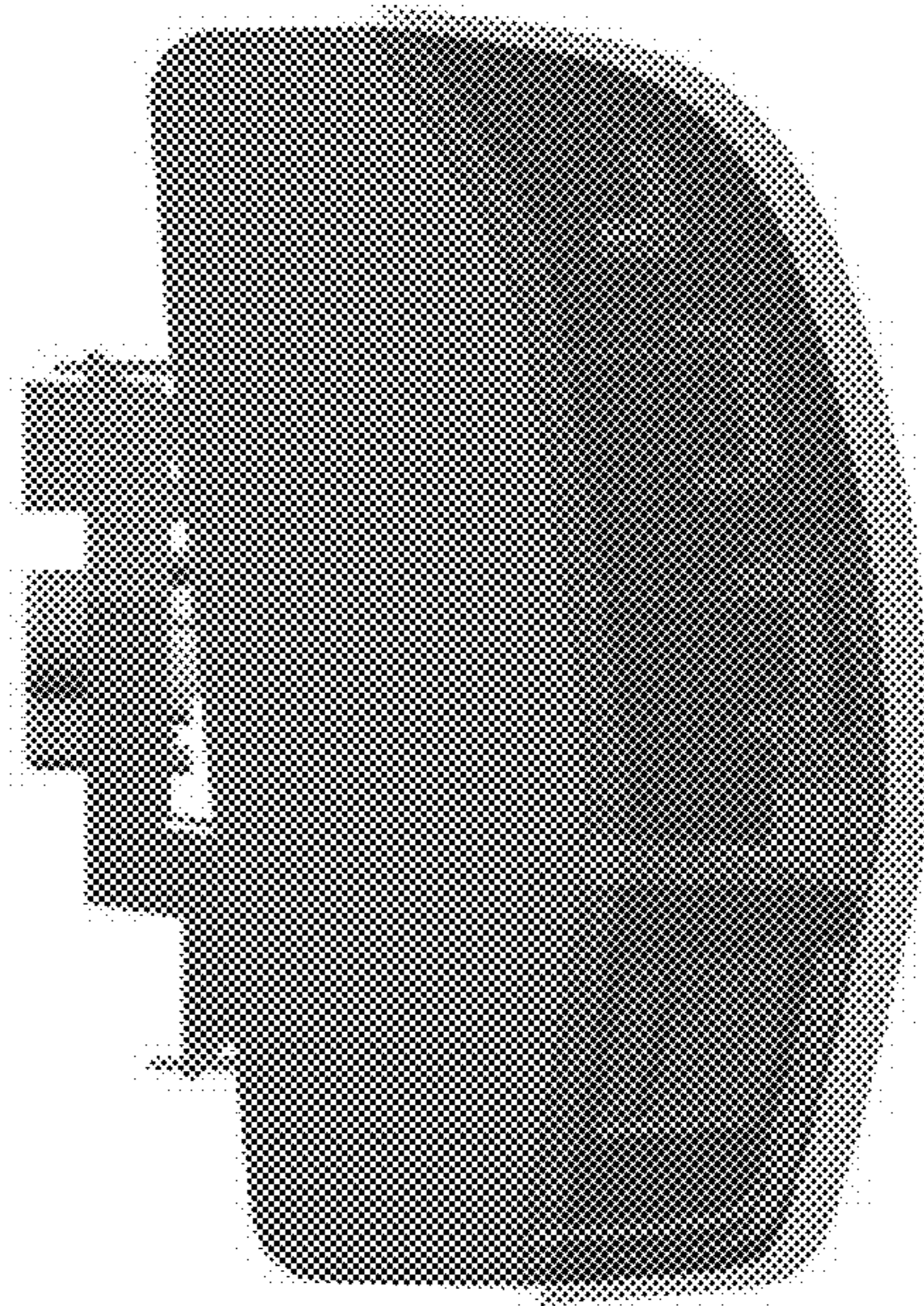
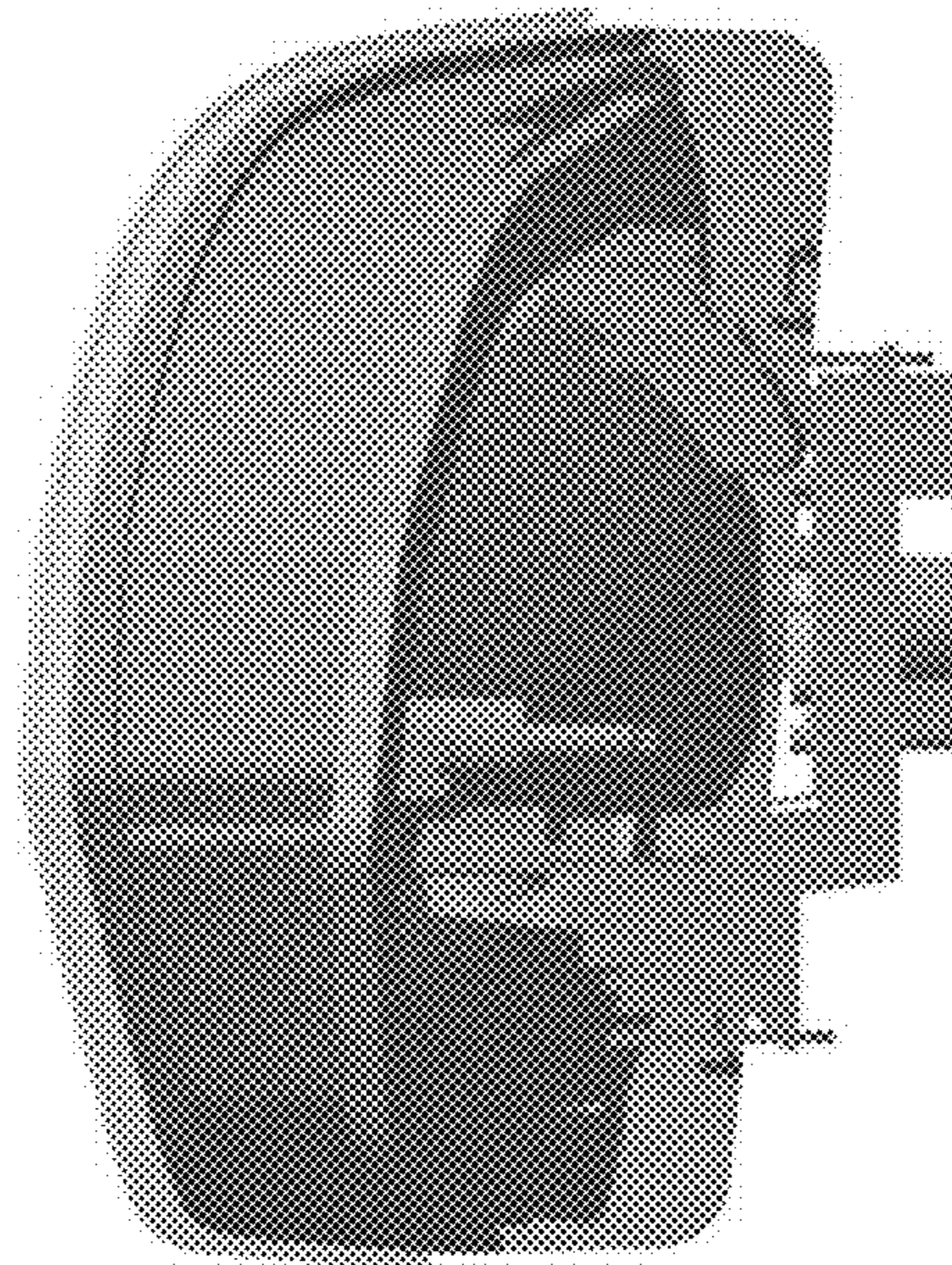


FIG. 4



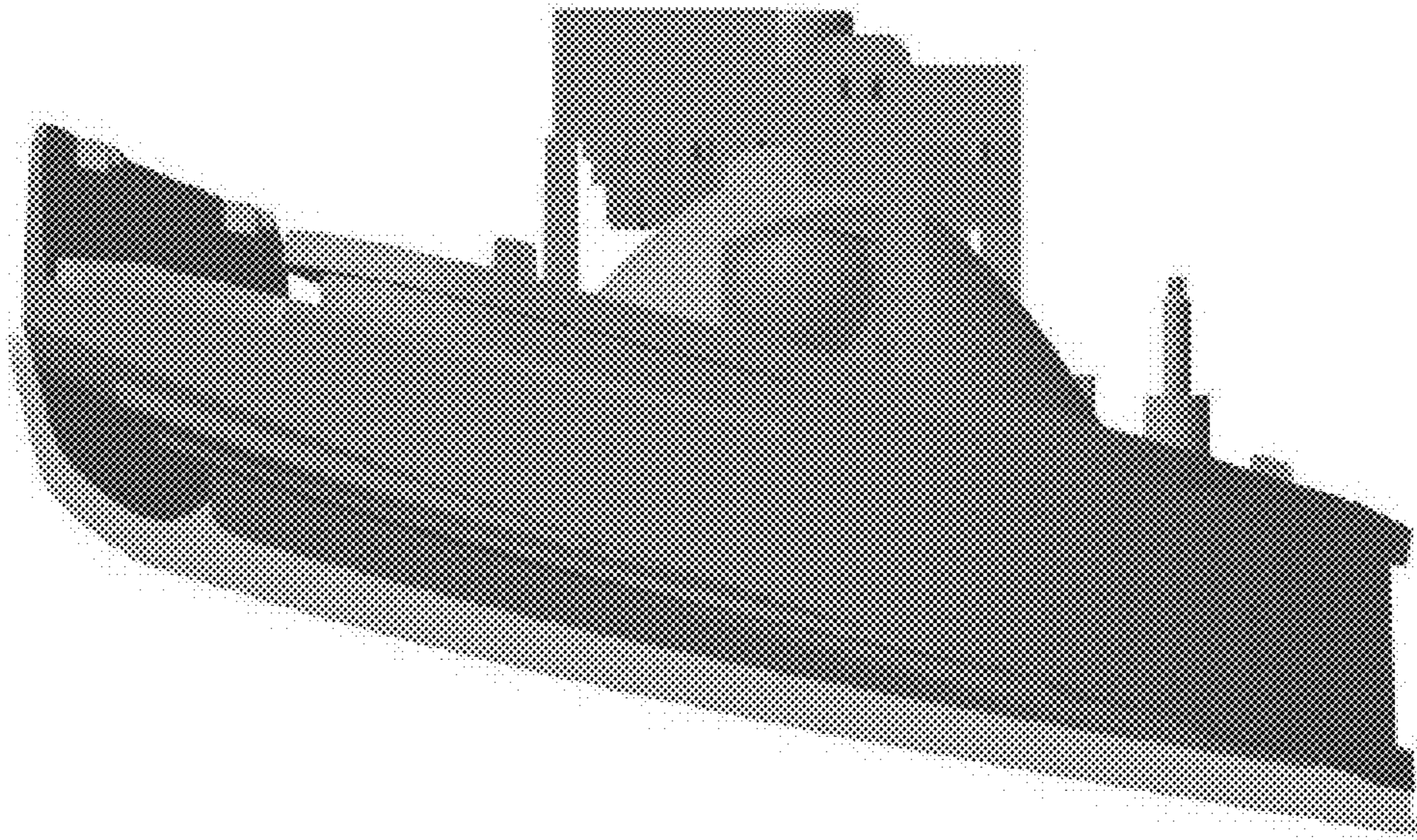


FIG. 5

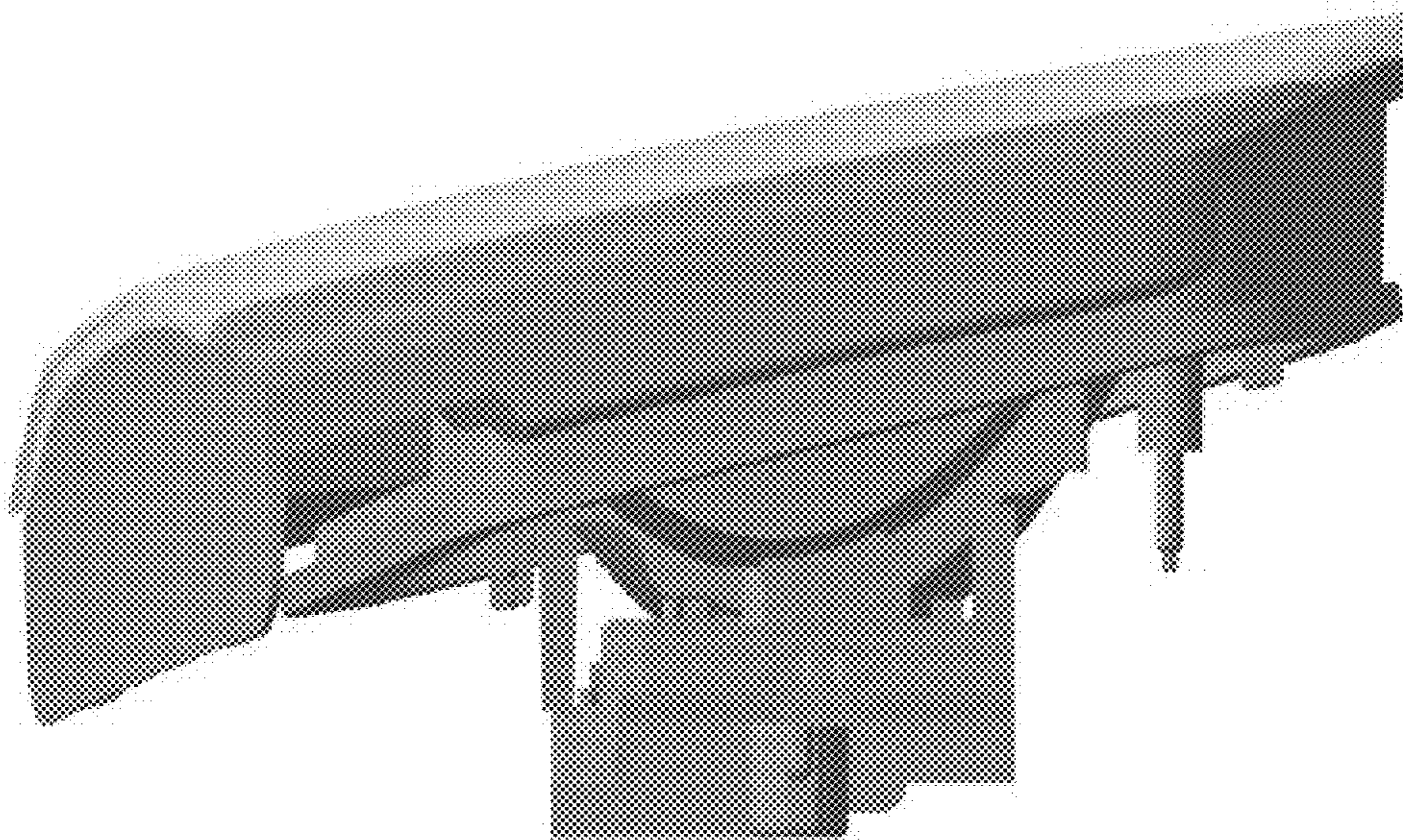


FIG. 6

FIG. 7

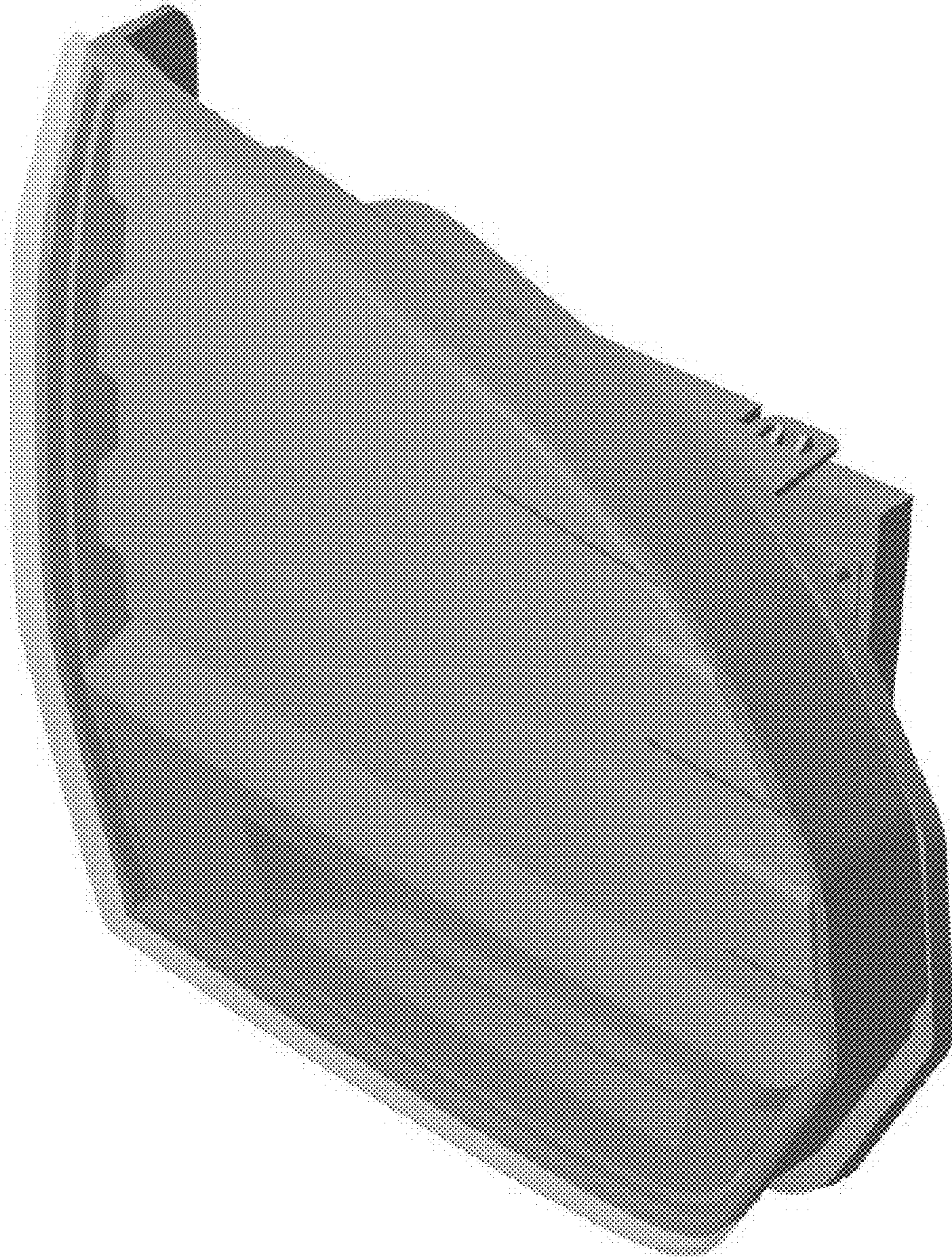


FIG. 8

