



US00D705461S

(12) **United States Design Patent**  
**Hildebrand et al.**

(10) **Patent No.:** **US D705,461 S**

(45) **Date of Patent:** **\*\* May 20, 2014**

(54) **VEHICLE FOG LIGHT**

(75) Inventors: **Gert Volker Hildebrand**, Munich (DE);  
**Philipp Eberl**, Graz (AT)

(73) Assignee: **Qoros Automotive Co., Ltd.**, Changshu,  
Jiangsu Province (CN)

(\*\*) Term: **14 Years**

(21) Appl. No.: **29/419,634**

(22) Filed: **Apr. 30, 2012**

(30) **Foreign Application Priority Data**

Nov. 9, 2011 (CN) ..... 2011 3 0432002

(51) **LOC (10) Cl.** ..... **26-06**

(52) **U.S. Cl.**  
USPC ..... **D26/28**

(58) **Field of Classification Search**  
USPC ..... D26/28-36; 362/459-468, 475-478,  
362/485-487

See application file for complete search history.

(56) **References Cited**

U.S. PATENT DOCUMENTS

D550,380 S *	9/2007	Lin	.....	D26/28
D550,383 S *	9/2007	Asai	.....	D26/28
D570,015 S *	5/2008	Hsu	.....	D26/28
D573,282 S *	7/2008	Hsu	.....	D26/28
D693,950 S *	11/2013	Ito et al.	.....	D26/28

\* cited by examiner

*Primary Examiner* — Marcus Jackson

(57) **CLAIM**

The ornamental design for a vehicle fog light, as shown and described.

**DESCRIPTION**

FIG. 1 is a front view of a vehicle fog light.  
FIG. 2 is a rear view of the vehicle fog light of FIG. 1.  
FIG. 3 is a left side view of the vehicle fog light of FIG. 1.  
FIG. 4 is a right side view of the vehicle fog light of FIG. 1.  
FIG. 5 is a top view of the vehicle fog light of FIG. 1.  
FIG. 6 is a bottom view of the vehicle fog light of FIG. 1.  
FIG. 7 is a front right perspective view of the vehicle fog light of FIG. 1; and,  
FIG. 8 is a front left perspective view of the vehicle fog light of FIG. 1.

**1 Claim, 8 Drawing Sheets**

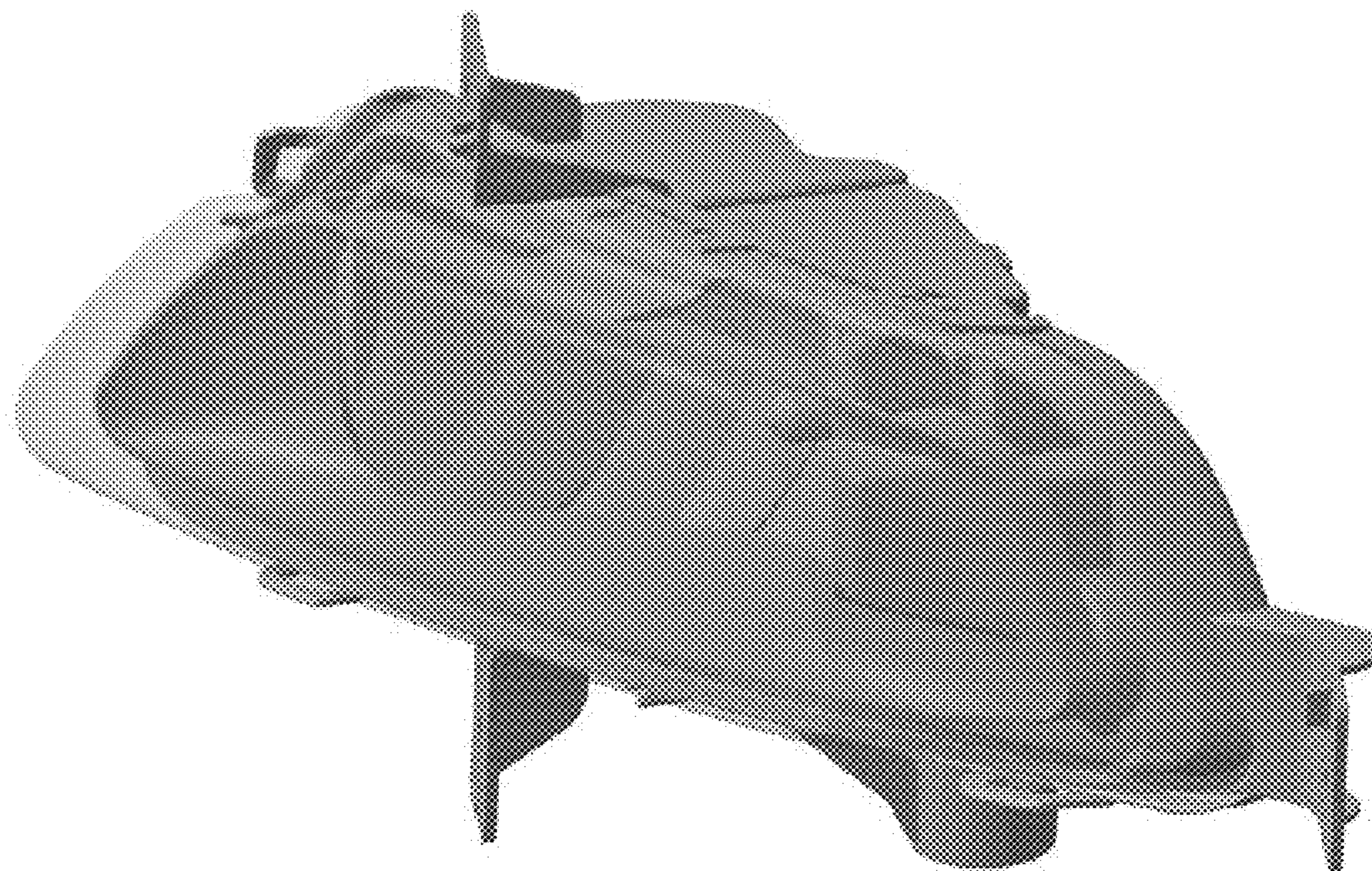


FIG. 1

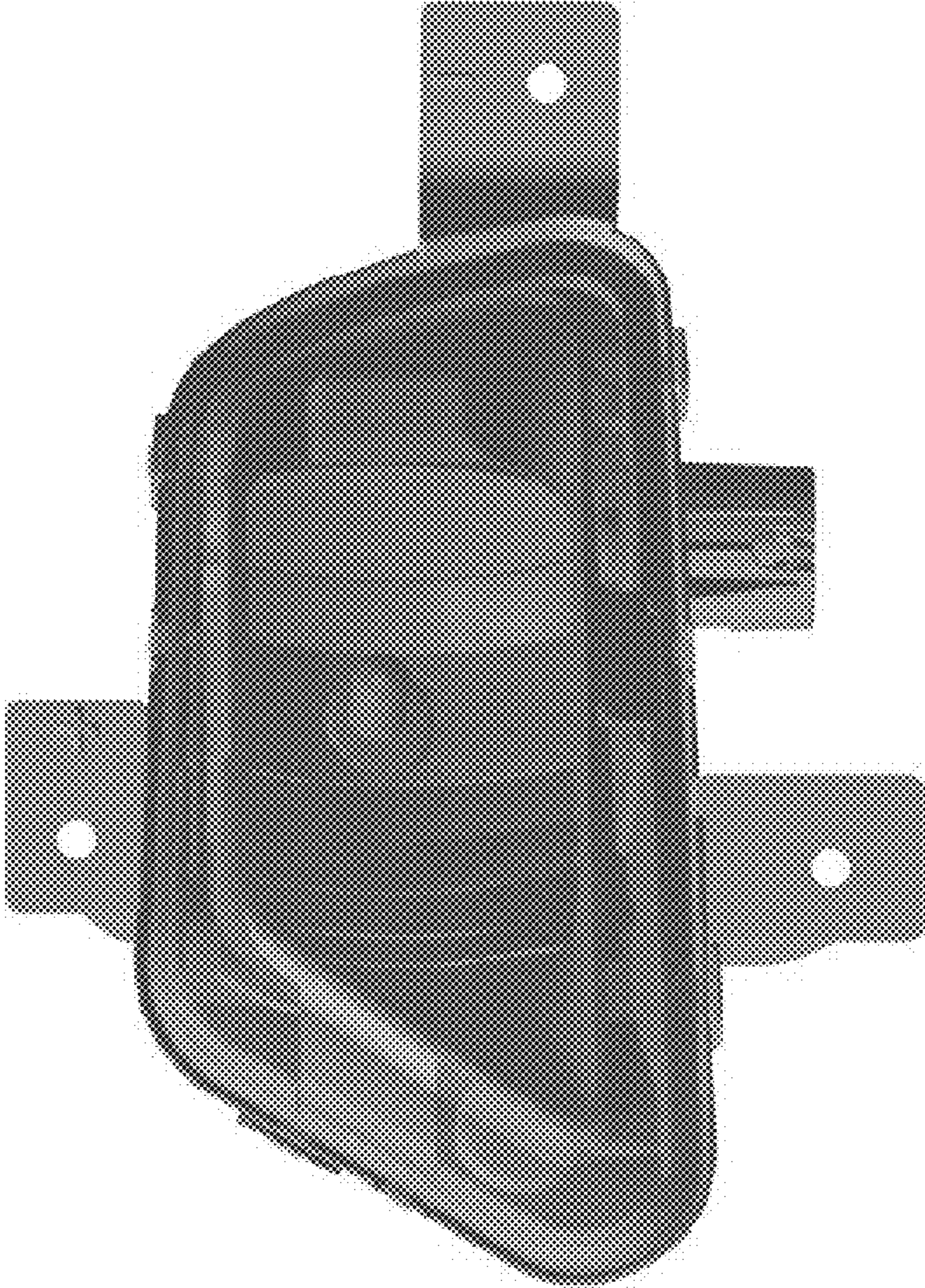


FIG. 2

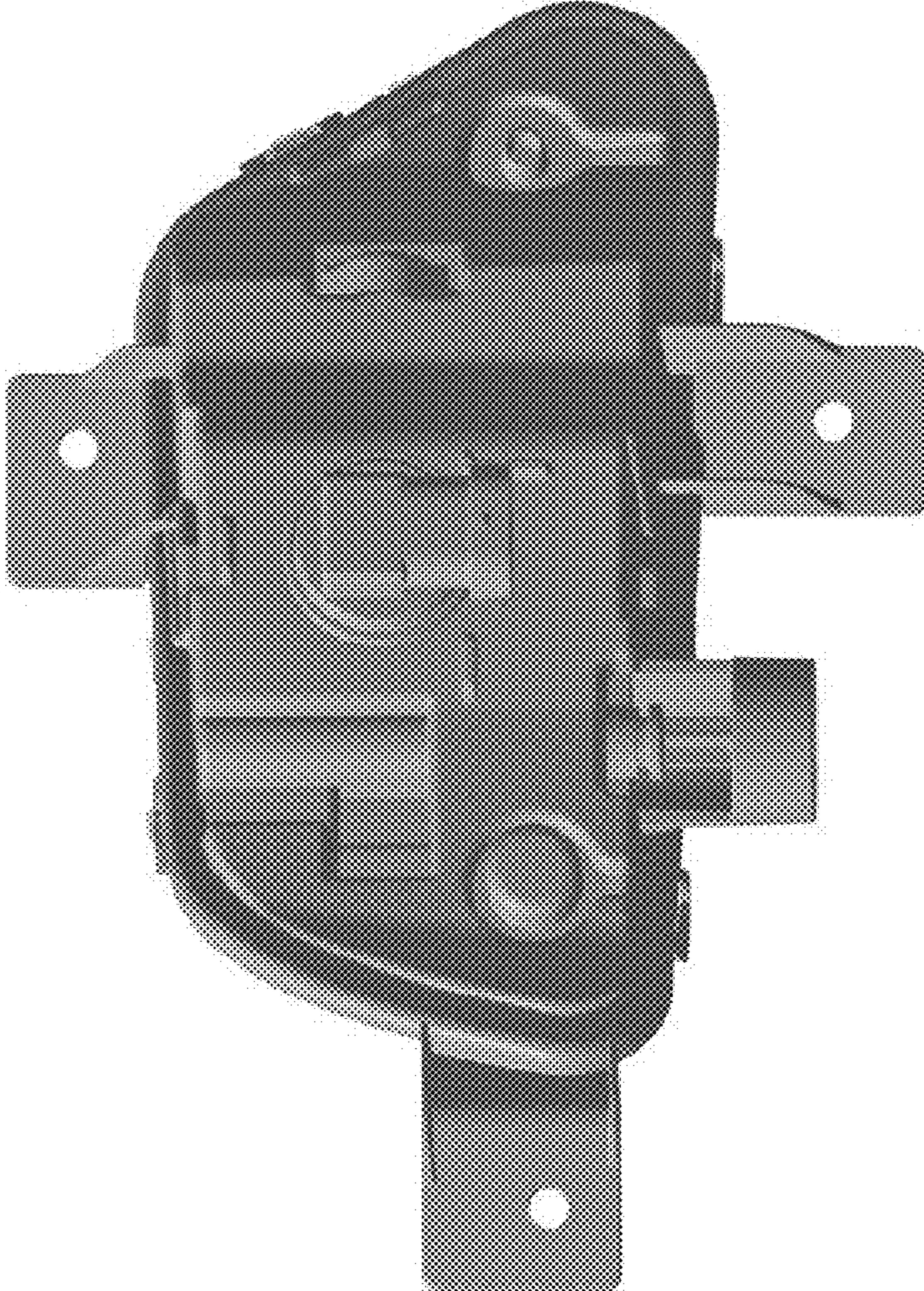


FIG. 3

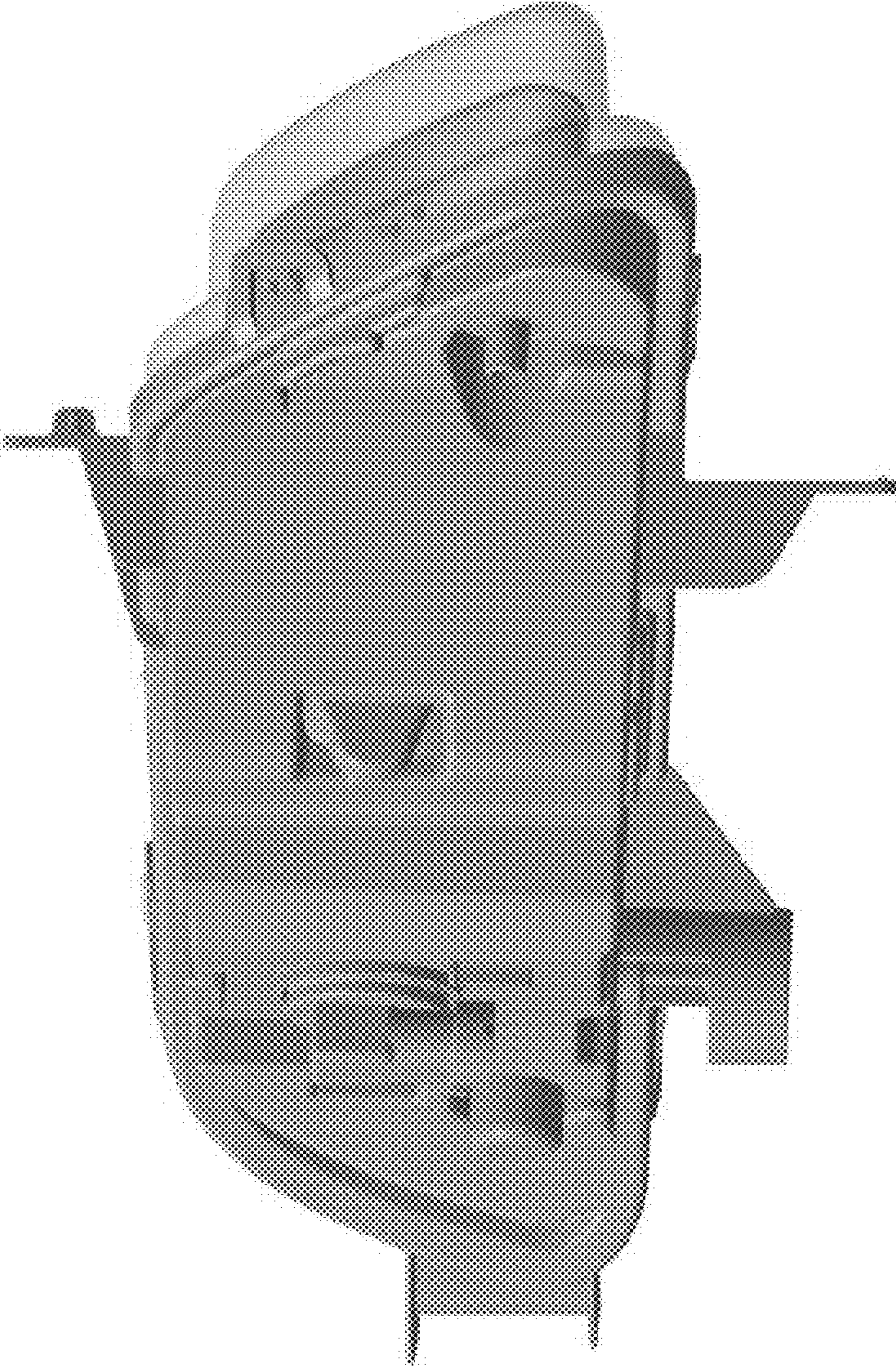
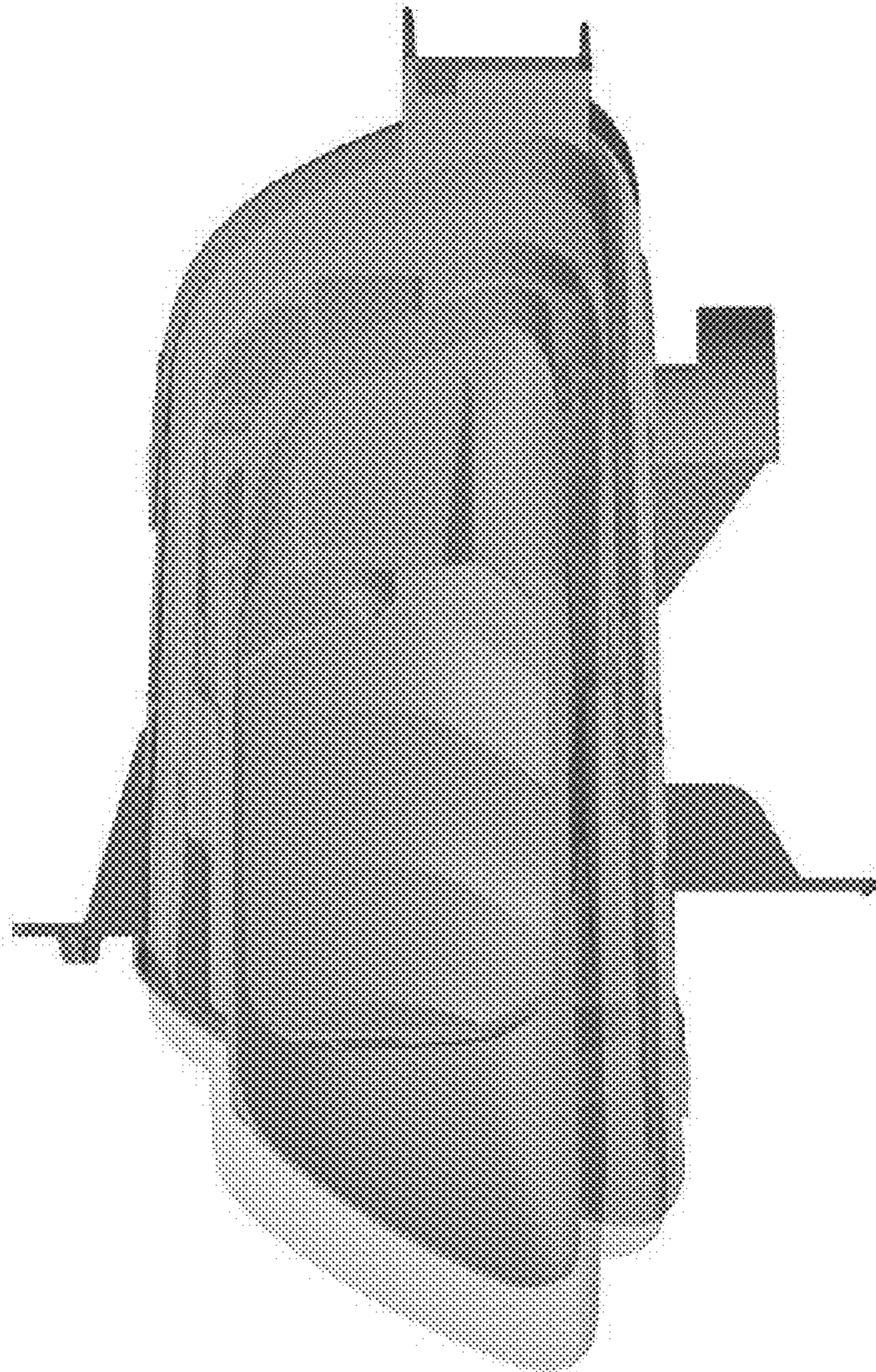


FIG. 4



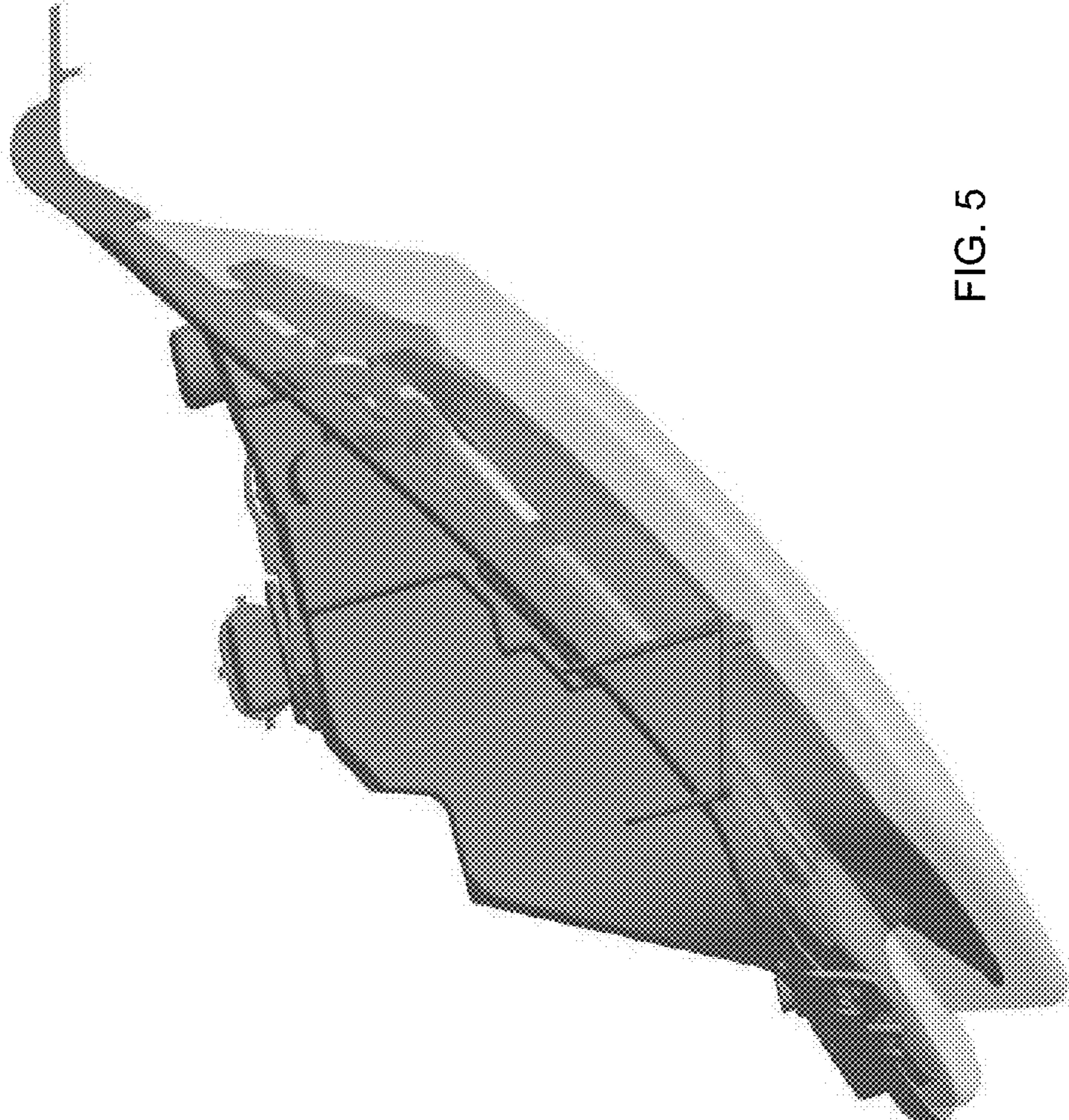


FIG. 5

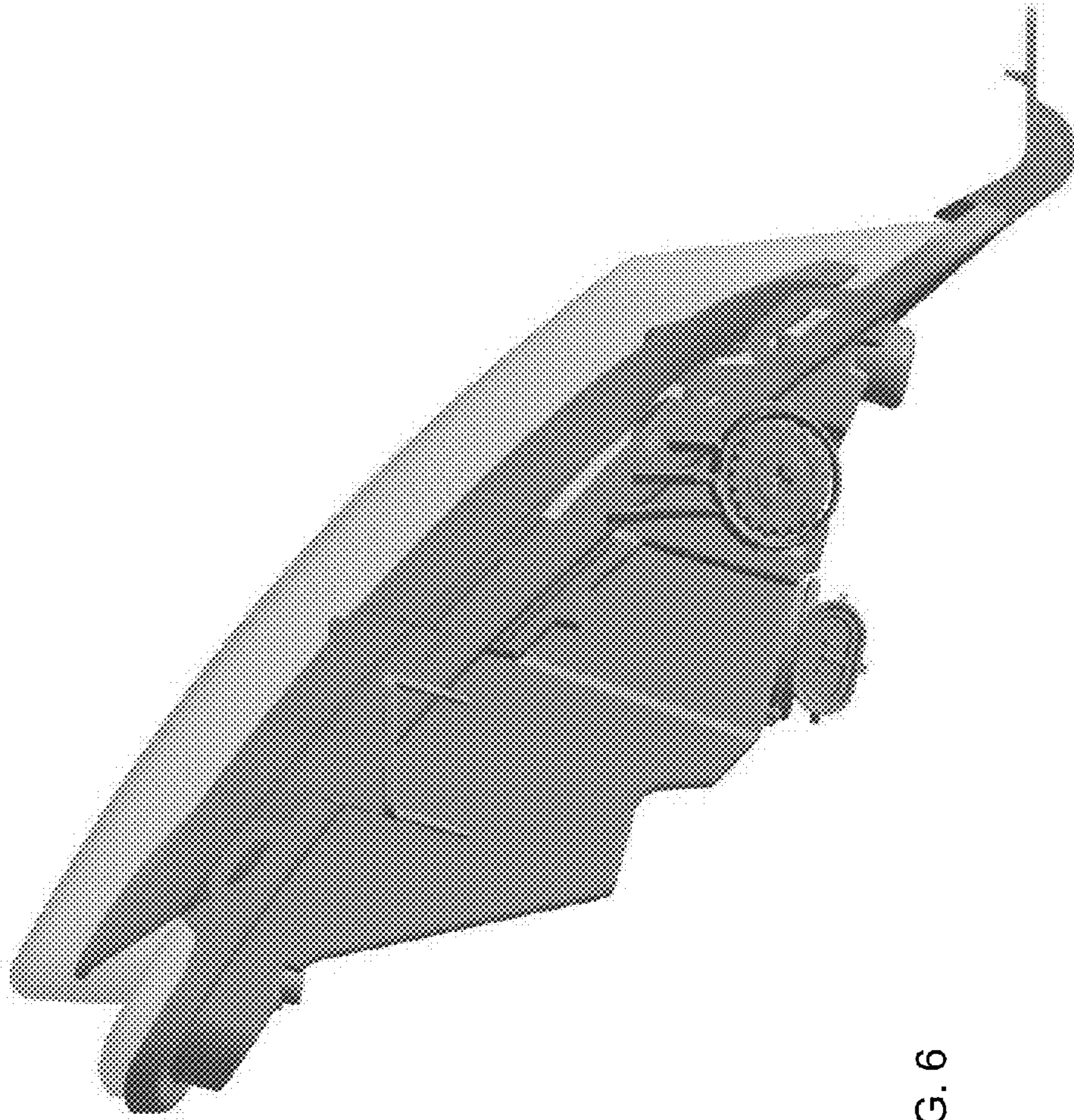
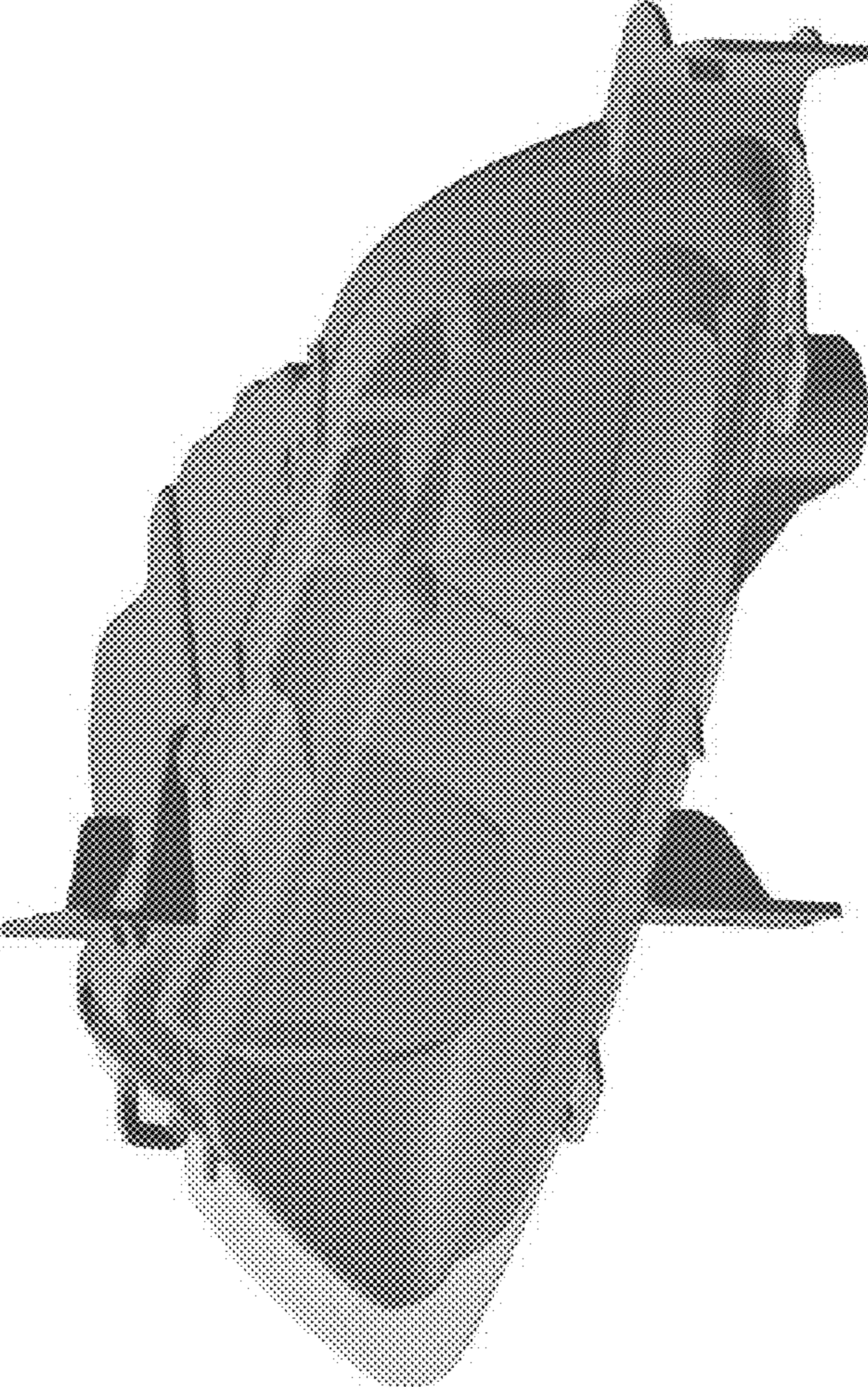


FIG. 6

FIG. 7





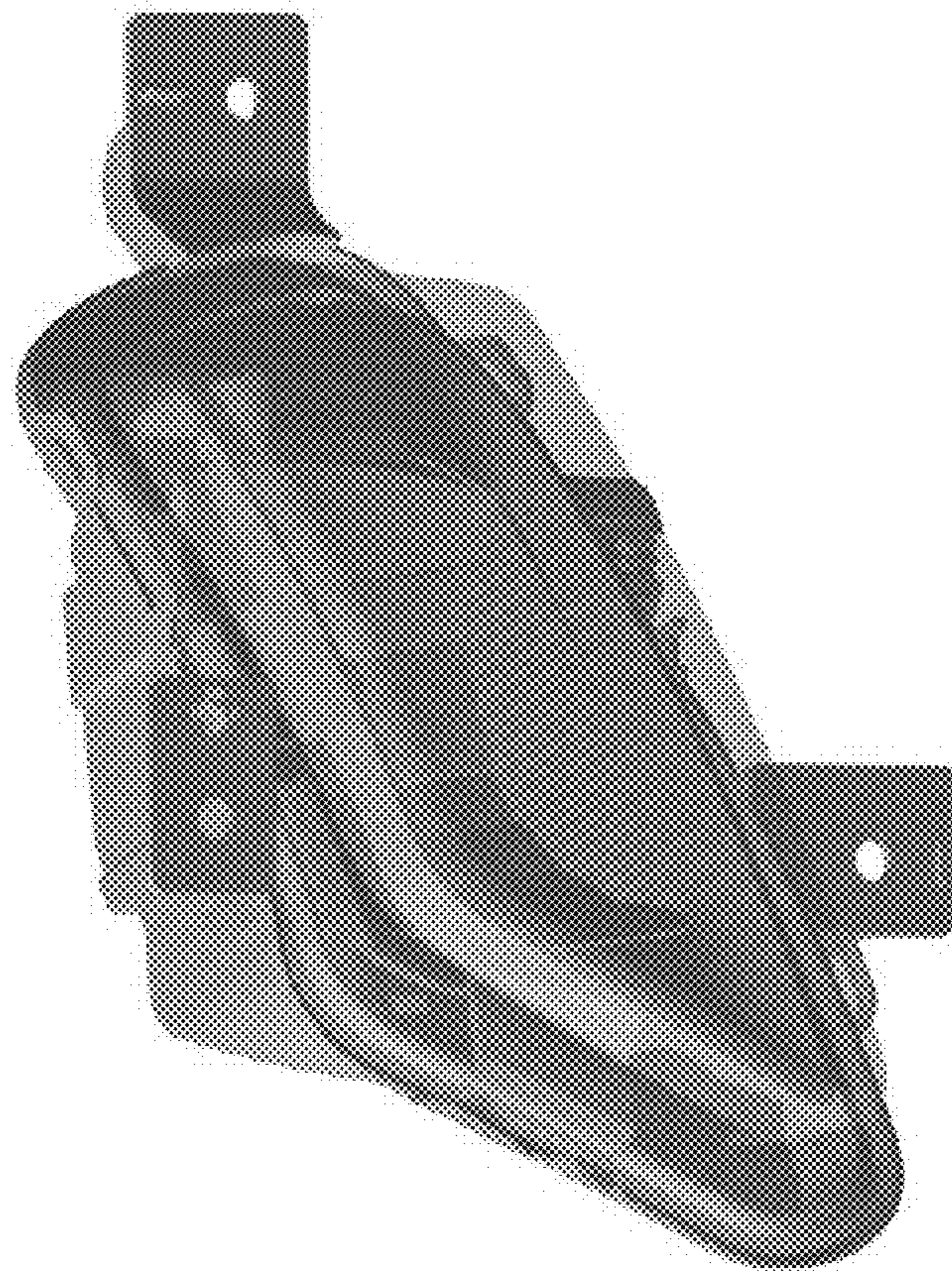


FIG. 8