



US00D705457S

(12) **United States Design Patent**  
**Maxik et al.**

(10) **Patent No.:** **US D705,457 S**  
(45) **Date of Patent:** **\*\* May 20, 2014**

(54) **LUMINAIRE**

FOREIGN PATENT DOCUMENTS

(71) Applicant: **Lighting Science Group Corporation**,  
Satellite Beach, FL (US)

WO 2006118457 11/2006  
WO 2008113837 A2 9/2008

(72) Inventors: **Fredric S. Maxik**, Indialantic, FL (US);  
**David Henderson**, Indialantic, FL (US);  
**Mark Penley Boomgaarden**, Satellite  
Beach, FL (US); **Addy S. Widjaja**, Palm  
Bay, FL (US); **Emilio Flores**, Indian  
Harbor, FL (US); **Shane Sullivan**,  
Indialantic, FL (US); **Wei Sun**, Davie,  
FL (US)

OTHER PUBLICATIONS

<http://img.diytrade.com/cdimg/395588/7678937/...> <http://images.google.com/imgres?imgurl=http://img.diytrade.com/cdimg/3...>

(Continued)

*Primary Examiner* — Marcus Jackson  
(74) *Attorney, Agent, or Firm* — Cantor Colburn LLP

(73) Assignee: **Lighting Science Group Corporation**,  
Satellite Beach, FL (US)

(57) **CLAIM**  
We claim, the ornamental design for a luminaire, as shown  
and described.

(\*\*) Term: **14 Years**

**DESCRIPTION**

(21) Appl. No.: **29/457,807**

(22) Filed: **Jun. 13, 2013**

FIG. 1 is a first side plan view of an embodiment of the  
invention, the luminaire being symmetric about a center axis;  
FIG. 2 is a top plan view of the embodiment of FIG. 1;  
FIG. 3 is a bottom plan view of the embodiment of FIG. 1;  
FIG. 4 is a first perspective view of the embodiment of FIG. 1;  
and,  
FIG. 5 is a second perspective view of the embodiment of  
FIG. 1.

**Related U.S. Application Data**

(62) Division of application No. 29/435,989, filed on Oct.  
31, 2012, now Pat. No. Des. 689,218, which is a  
division of application No. 29/416,782, filed on Mar.  
27, 2012, now Pat. No. Des. 672,480, which is a  
division of application No. 29/360,983, filed on May 4,  
2010, now Pat. No. Des. 658,791.

The degree of transparency or opaqueness of the lens of the  
luminaire forms no part of the claimed design. The lens of the  
claimed luminaire may have facets, lenslets or other treat-  
ments.

(51) **LOC (10) Cl.** ..... **26-04**

(52) **U.S. Cl.**  
USPC ..... **D26/2**

The dotted lines shown in FIGS. 1, 2 and 4 indicate that the  
lens portion of the luminaire indicated by the dotted lines may  
be flat or curved.

(58) **Field of Classification Search**  
USPC ..... D26/1-4; 313/313, 315, 316, 317, 318,  
313/493; 315/52, 53, 56, 57, 58  
See application file for complete search history.

The dash-dot-dot lines shown between the heat sink portion  
and base portion in FIG. 1, 3-5 indicate the heat sink portion  
may be of any length.

(56) **References Cited**

U.S. PATENT DOCUMENTS

4,375,607 A 3/1983 Morton et al.  
4,392,076 A 7/1983 Ishler et al.

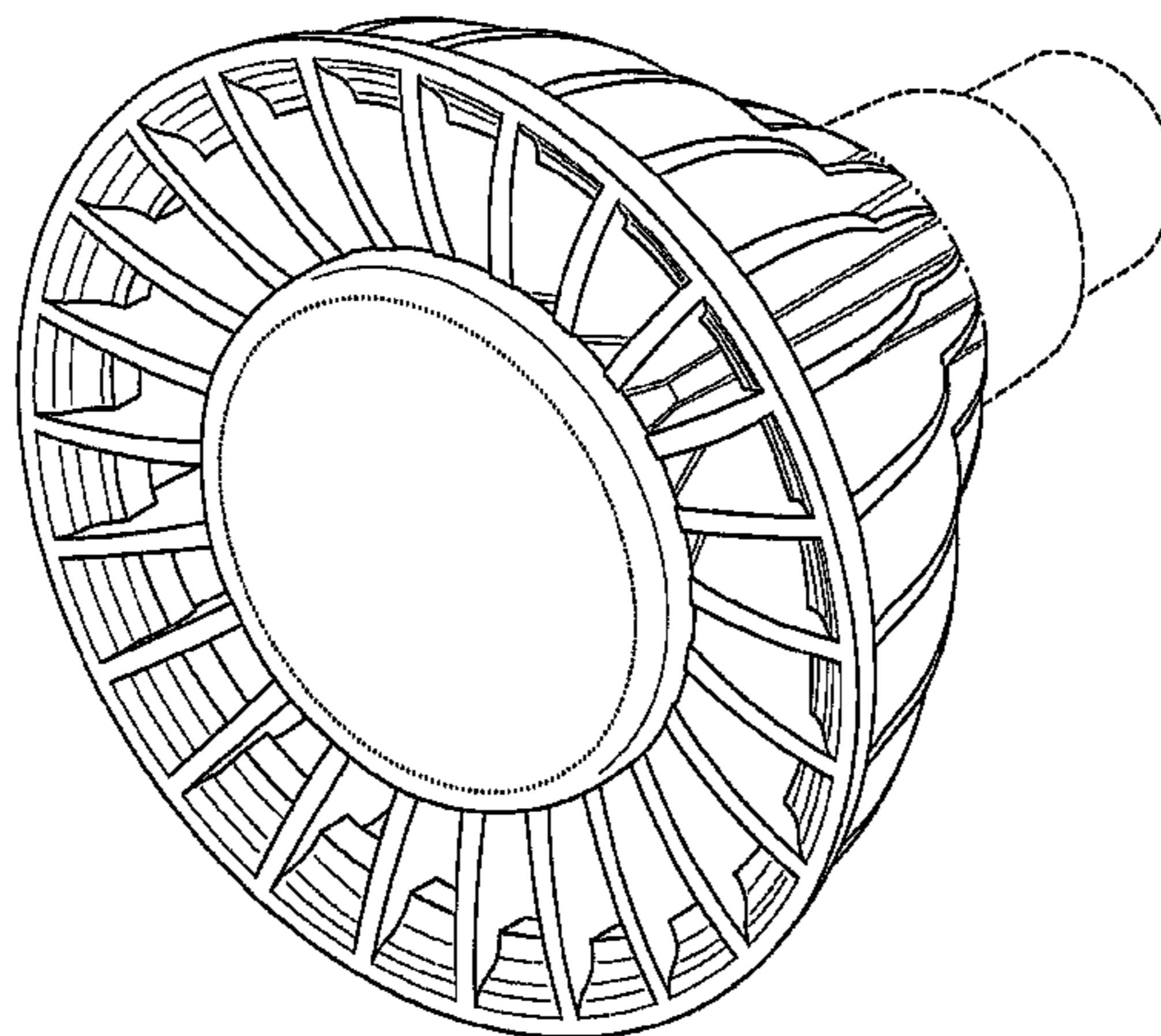
The phantom lines shown in FIG. 1, 3-5 are illustrating the  
base of the luminaire and forms no part of the claimed design.  
The color and shading of the luminaire forms no part of the  
claimed design, the luminaire according to the claimed design  
may be any color or combination of colors.

The surface treatment of the luminaire forms no part of the  
claimed design, the luminaire of the claimed design may have  
any surface treatment.

References to “side”, “top”, and “bottom” in the figure  
descriptions are not meant to require certain in-use orienta-  
tion; a luminaire according to the claimed design may be used  
in any orientation.

(Continued)

**1 Claim, 5 Drawing Sheets**



(56)

References Cited

U.S. PATENT DOCUMENTS

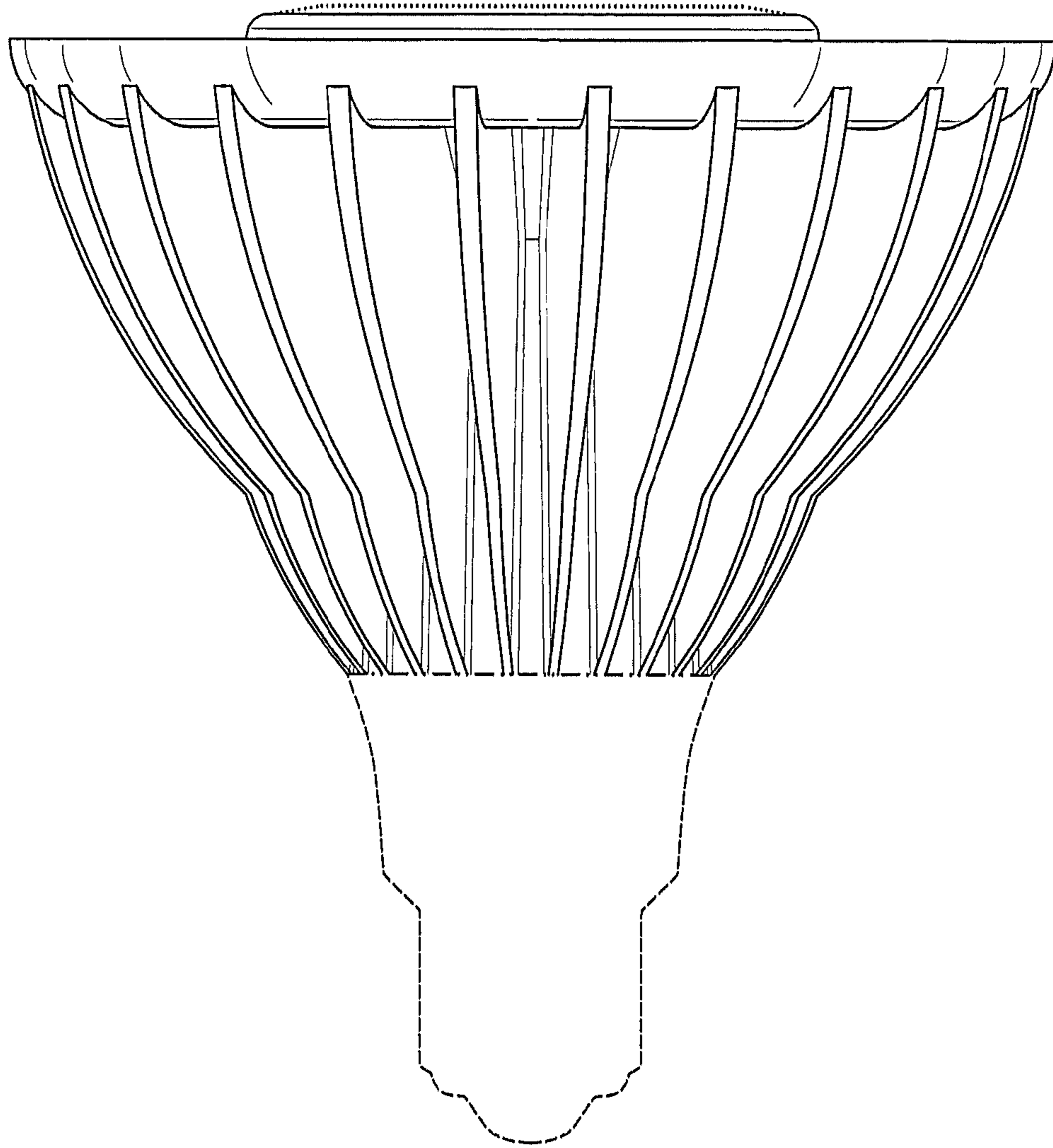
D271,424 S 11/1983 Young et al.  
 D284,792 S \* 7/1986 Thiry et al. .... D26/2  
 D307,805 S \* 5/1990 Noe ..... D26/2  
 D321,260 S 10/1991 Bowman  
 D321,762 S \* 11/1991 Mujahid et al. .... D26/2  
 D355,495 S \* 2/1995 Matsumura et al. .... D26/3  
 5,458,505 A 10/1995 Prager  
 D391,006 S 2/1998 Yang  
 5,791,769 A 8/1998 Yang  
 D470,610 S 2/2003 Bobel  
 6,515,433 B1 2/2003 Ge et al.  
 D480,486 S 10/2003 Kakuno et al.  
 6,655,823 B2 12/2003 Chang  
 6,786,625 B2 9/2004 Wesson  
 D497,439 S 10/2004 Shaw et al.  
 6,848,812 B1 2/2005 Hsieh  
 D508,575 S 8/2005 Buschmann et al.  
 D516,229 S 2/2006 Tang  
 D527,119 S 8/2006 Maxik et al.  
 D528,227 S 9/2006 Chou et al.  
 D528,673 S 9/2006 Maxik et al.  
 D531,741 S 11/2006 Takahashi  
 D534,665 S 1/2007 Egawa et al.  
 D538,950 S 3/2007 Maxik  
 D538,951 S 3/2007 Maxik et al.  
 D538,952 S 3/2007 Maxik et al.  
 D541,957 S 5/2007 Wang  
 D545,457 S 6/2007 Chen  
 7,226,189 B2 6/2007 Lee et al.  
 D560,286 S 1/2008 Maxik et al.  
 D566,300 S 4/2008 Lo  
 7,367,688 B1 5/2008 Bucher et al.  
 D570,504 S 6/2008 Maxik et al.  
 D570,505 S 6/2008 Maxik et al.  
 D572,385 S 7/2008 Mazzochette et al.  
 7,434,964 B1 10/2008 Zheng et al.  
 D581,554 S 11/2008 To et al.  
 D581,583 S 11/2008 Peng  
 7,448,772 B2 11/2008 Hampton  
 D584,837 S 1/2009 Mazzochette et al.  
 D586,497 S 2/2009 Wu et al.  
 7,513,653 B1 4/2009 Liu et al.  
 D593,222 S 5/2009 To et al.  
 D594,143 S 6/2009 Montagnat et al.  
 D594,995 S 6/2009 Komar

D595,893 S 7/2009 Maxik et al.  
 D597,704 S 8/2009 Peng  
 D600,850 S 9/2009 Maxik et al.  
 D601,276 S 9/2009 Grajcar  
 D601,277 S 9/2009 Grajcar  
 D601,278 S 9/2009 Takahashi  
 D601,279 S 9/2009 Ou et al.  
 D607,586 S 1/2010 Ko  
 D608,478 S 1/2010 Maxik et al.  
 D610,271 S 2/2010 Bi  
 D610,722 S 2/2010 Bi  
 D612,956 S 3/2010 Moon  
 D613,433 S 4/2010 Moon  
 7,717,590 B1 5/2010 Li  
 D617,915 S 6/2010 Wada et al.  
 D618,369 S 6/2010 Lee et al.  
 D620,153 S 7/2010 Wang et al.  
 D623,777 S 9/2010 Moon et al.  
 D623,778 S 9/2010 Moon et al.  
 D623,779 S 9/2010 Wang et al.  
 D624,214 S 9/2010 Thomas et al.  
 D624,215 S 9/2010 Moon et al.  
 D624,669 S 9/2010 Tsai  
 D625,437 S 10/2010 Zhang et al.  
 D626,260 S 10/2010 Wei  
 D626,667 S 11/2010 Jonsson et al.  
 D627,087 S 11/2010 Jonsson et al.  
 D628,322 S 11/2010 Sakai et al.  
 D628,720 S 12/2010 Wang  
 D629,129 S 12/2010 Lin et al.  
 D629,930 S 12/2010 Cotter et al.  
 D634,031 S 3/2011 de Visser et al.  
 D634,037 S 3/2011 Jeong et al.  
 D645,988 S \* 9/2011 Taylor ..... D26/2  
 2006/0215408 A1 9/2006 Lee  
 2007/0285926 A1 12/2007 Maxik  
 2008/0253125 A1 10/2008 Kang et al.  
 2009/0141500 A1 6/2009 Peng  
 2009/0296402 A1 12/2009 Chang et al.  
 2010/0027270 A1 2/2010 Huang et al.  
 2010/0091487 A1 4/2010 Shin

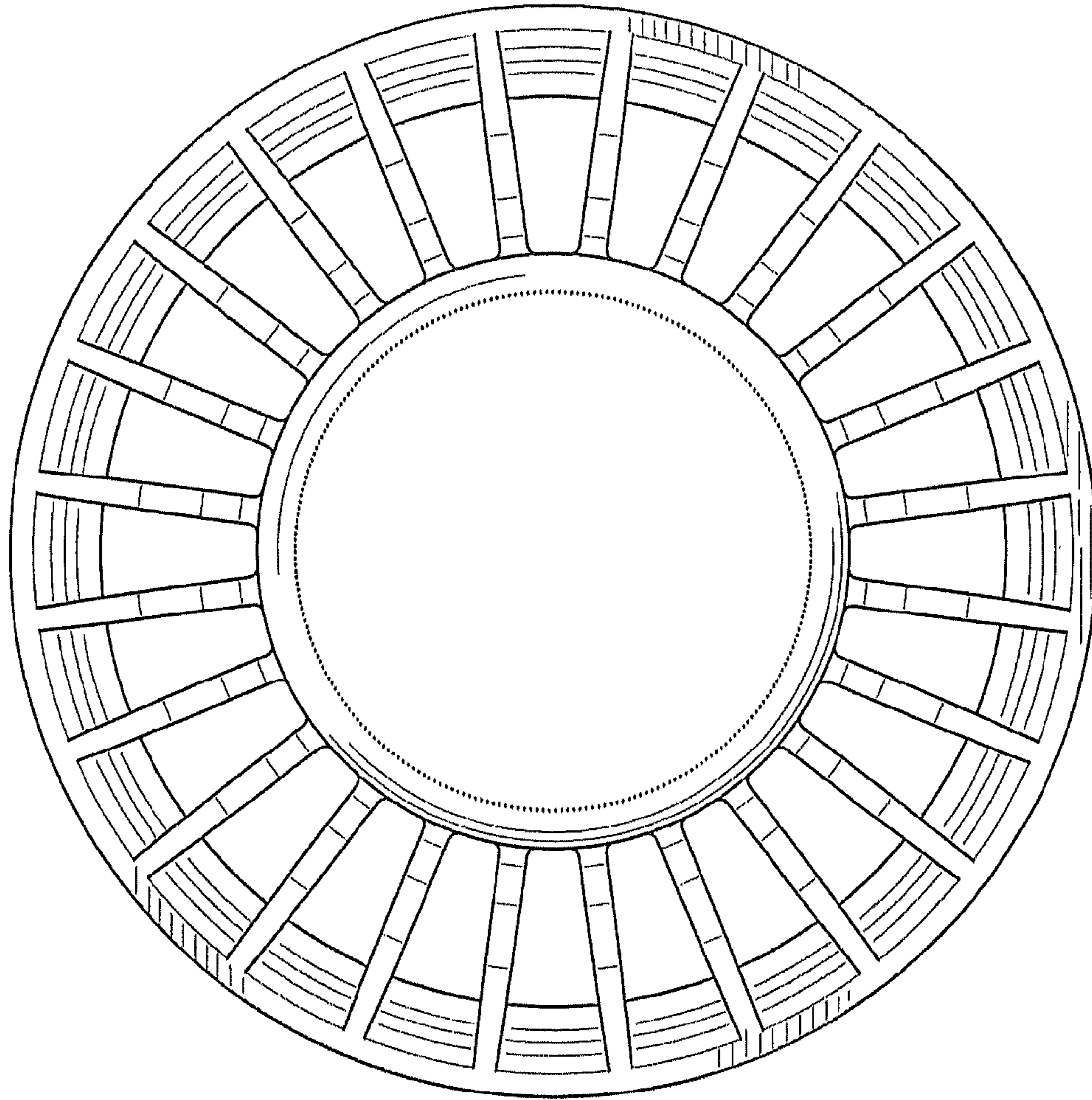
OTHER PUBLICATIONS

SP-E27 LB60 Nicha / Cree LED Lamp, posted Dec. 18, 2008, [http://www.diytrade.com/china/4/products/4950147/SP-E27\\_LB60\\_Nicha\\_Cree\\_LED\\_Lamp.html](http://www.diytrade.com/china/4/products/4950147/SP-E27_LB60_Nicha_Cree_LED_Lamp.html), accessed Jun. 30, 2009.

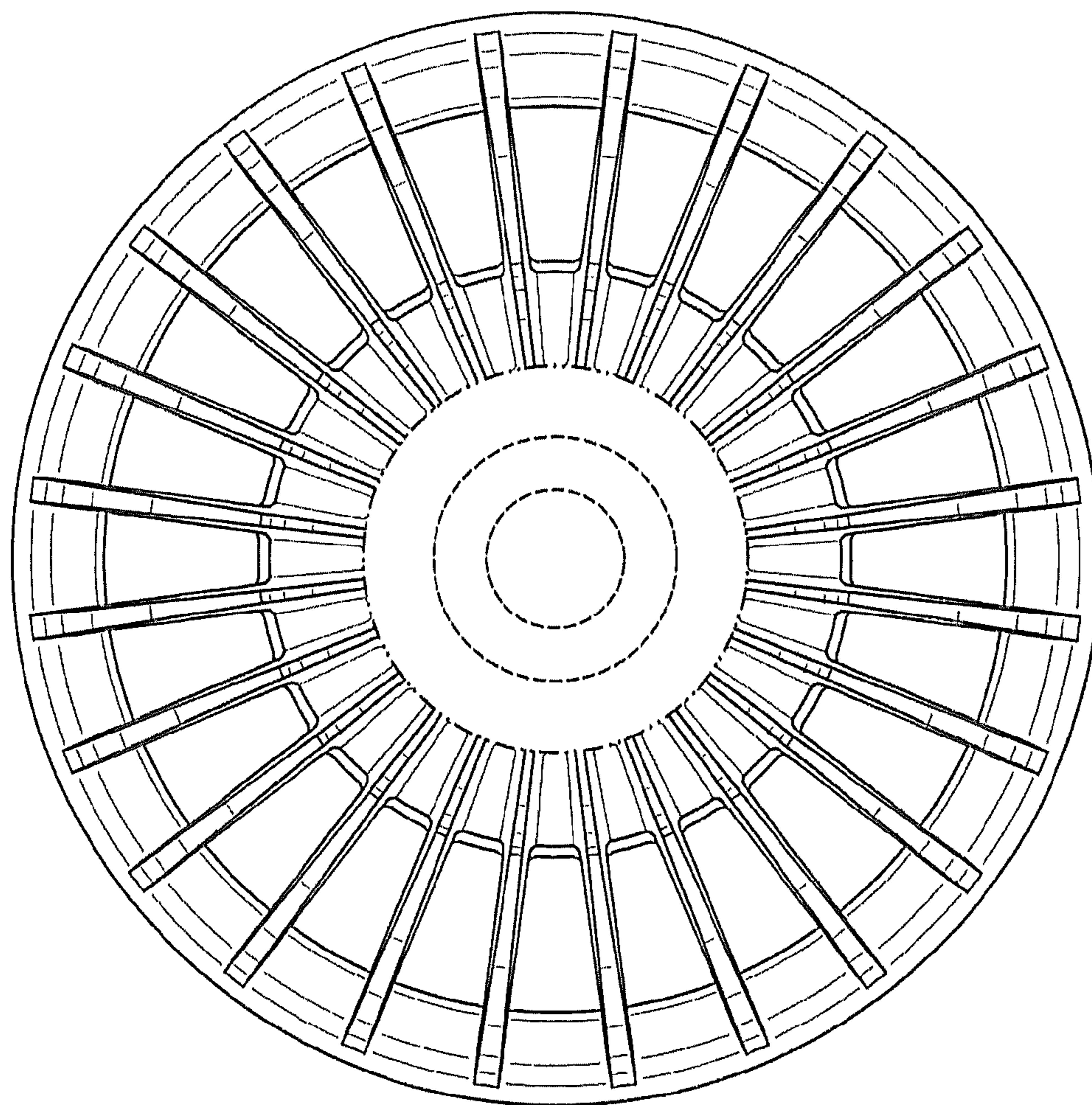
\* cited by examiner



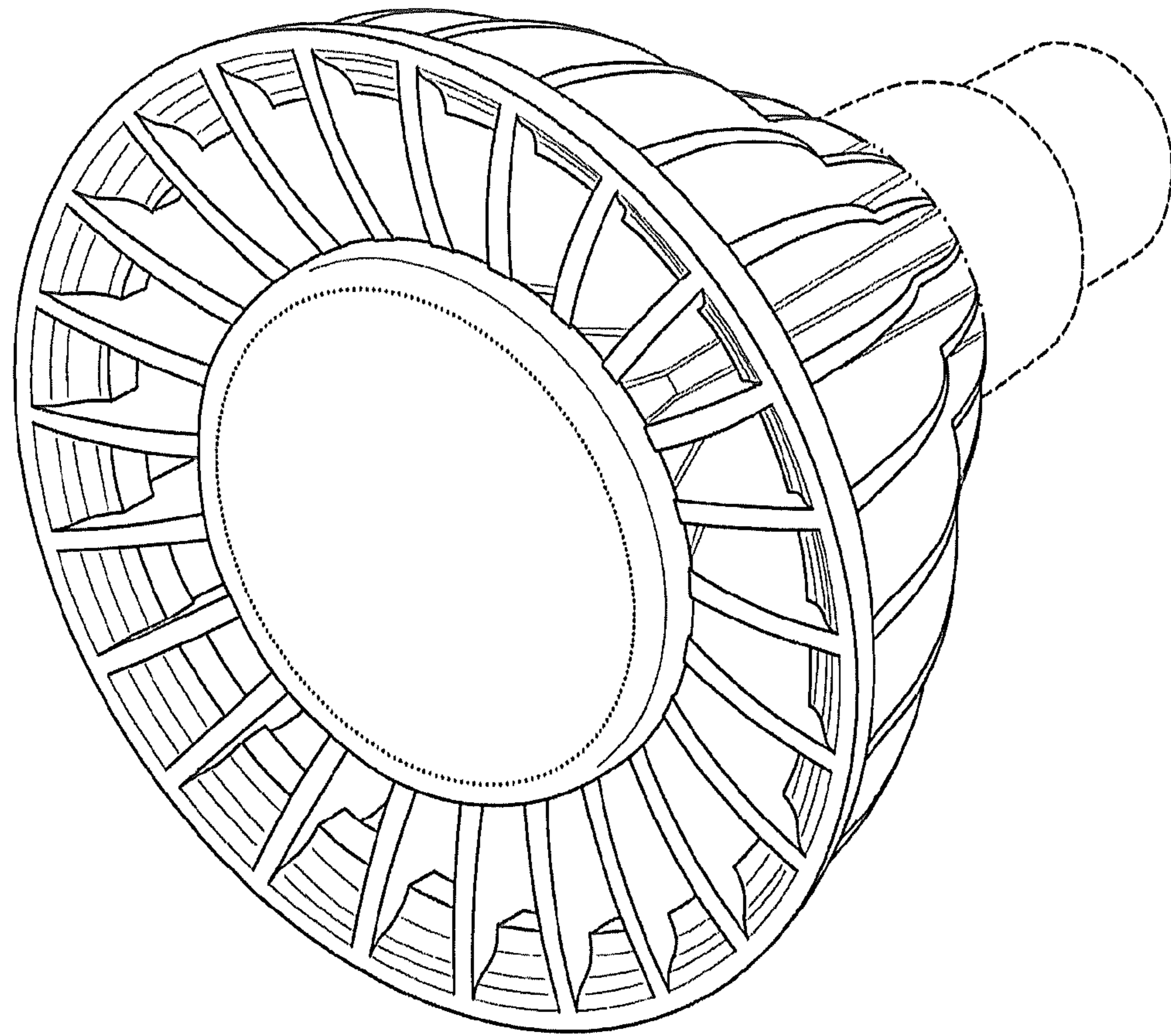
*FIG. 1*



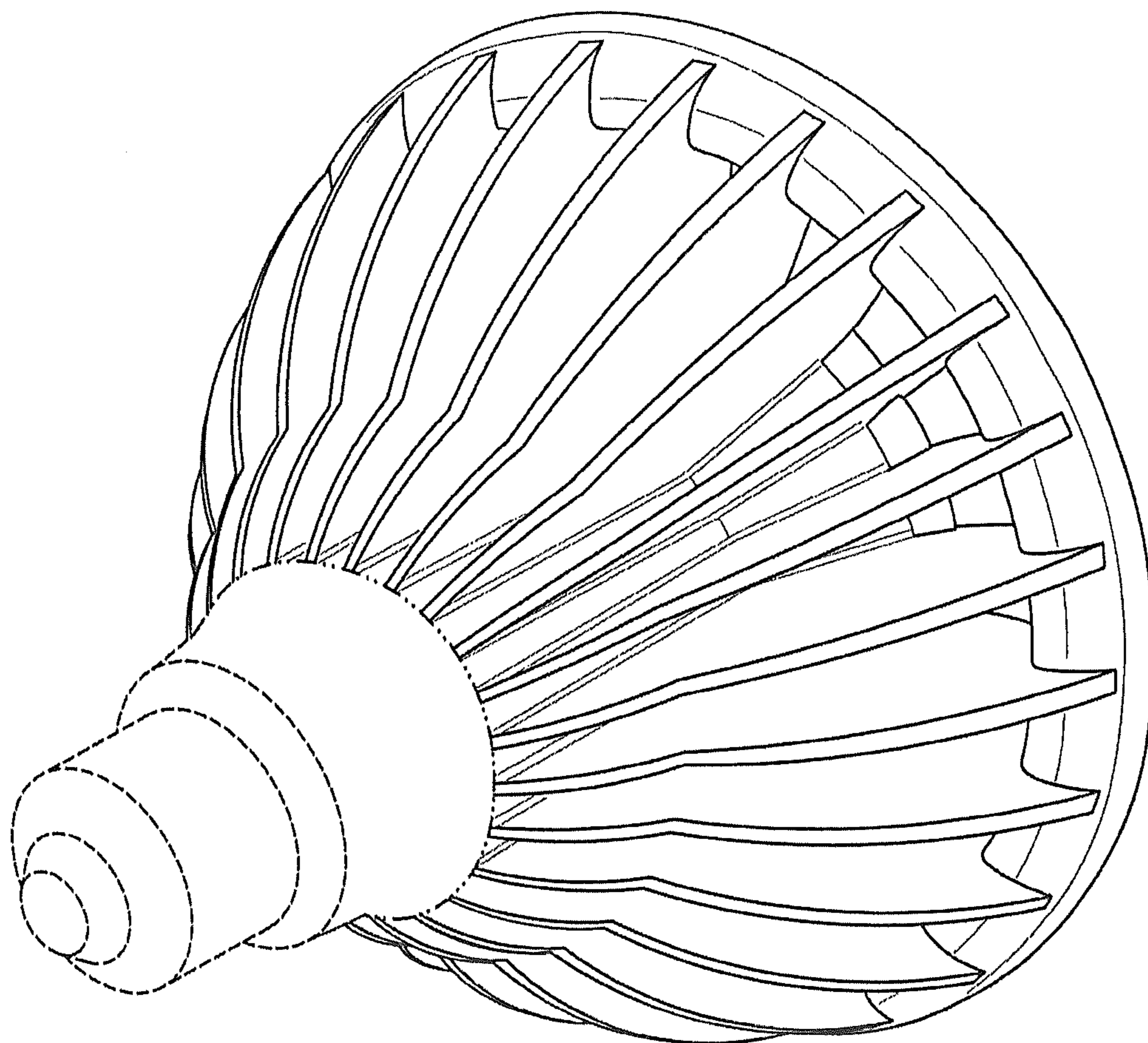
*FIG. 2*



*FIG. 3*



*FIG. 4*



*FIG. 5*