



US00D705456S

(12) **United States Design Patent**  
**Yan**

(10) **Patent No.:** **US D705,456 S**

(45) **Date of Patent:** **\*\* May 20, 2014**

(54) **LED PAR LAMP**

(71) Applicant: **Technical Consumer Products, Inc.**,  
Aurora, OH (US)

(72) Inventor: **Ellis Yan**, Aurora, OH (US)

(73) Assignee: **Technical Consumer Products, Inc.**,  
Aurora, OH (US)

(\*\*) Term: **14 Years**

(21) Appl. No.: **29/452,684**

(22) Filed: **Apr. 19, 2013**

(51) **LOC (10) Cl.** ..... **26-04**

(52) **U.S. Cl.**  
USPC ..... **D26/2**

(58) **Field of Classification Search**  
USPC ..... D26/1-4; 313/313, 315, 316, 317, 318,  
313/493; 315/52, 53, 56, 57, 58  
See application file for complete search history.

(56) **References Cited**

**U.S. PATENT DOCUMENTS**

D610,271 S \* 2/2010 Bi ..... D26/2  
D616,120 S \* 5/2010 Wada et al. .... D26/2

D617,918 S \* 6/2010 Yamamoto et al. .... D26/2  
D631,569 S \* 1/2011 Bobel ..... D26/2  
D631,571 S \* 1/2011 Bobel ..... D26/2  
D658,790 S \* 5/2012 Lee ..... D26/2  
D695,927 S \* 12/2013 Anderson et al. .... D26/2

\* cited by examiner

*Primary Examiner* — Marcus Jackson

(74) *Attorney, Agent, or Firm* — Thompson Hine L.L.P.

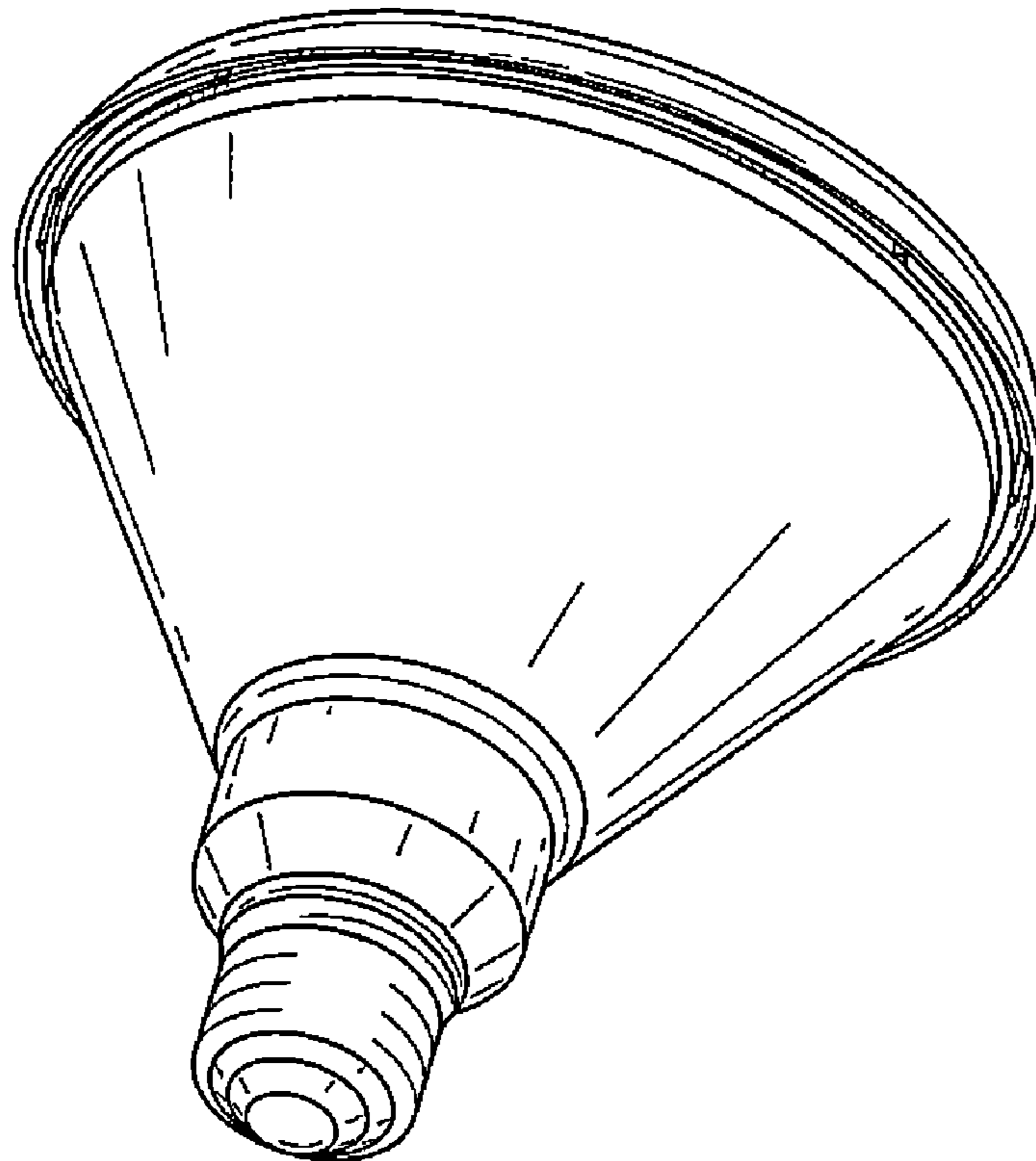
(57) **CLAIM**

What is claimed is the ornamental design for a LED par lamp,  
as shown and described.

**DESCRIPTION**

FIG. 1 is a front perspective view of a LED par lamp;  
FIG. 2 is a side view of a LED par lamp;  
FIG. 3 is a top view of a LED par lamp; and,  
FIG. 4 is a bottom view of a LED par lamp.

**1 Claim, 2 Drawing Sheets**



*FIG. 1*

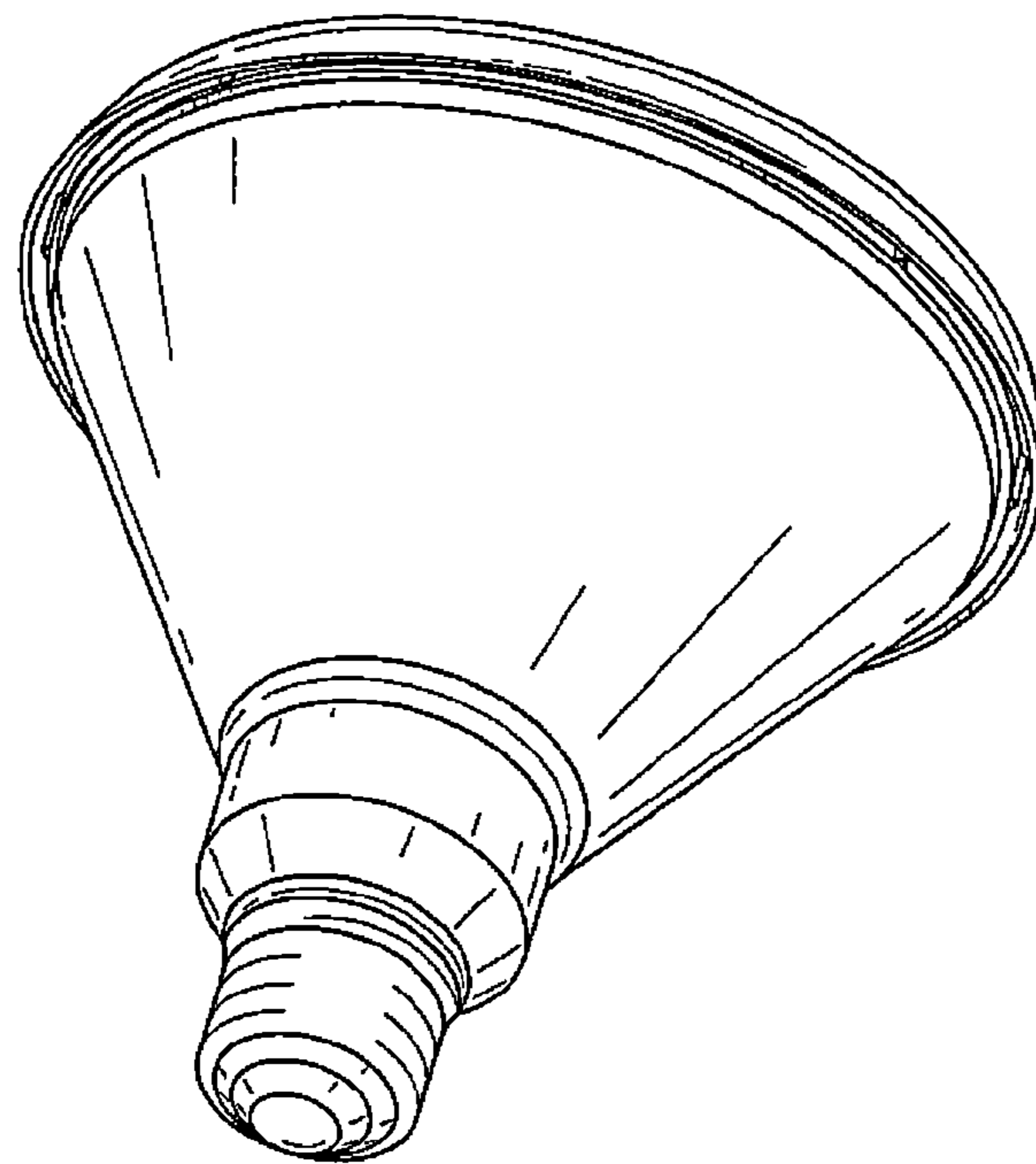


FIG. 2

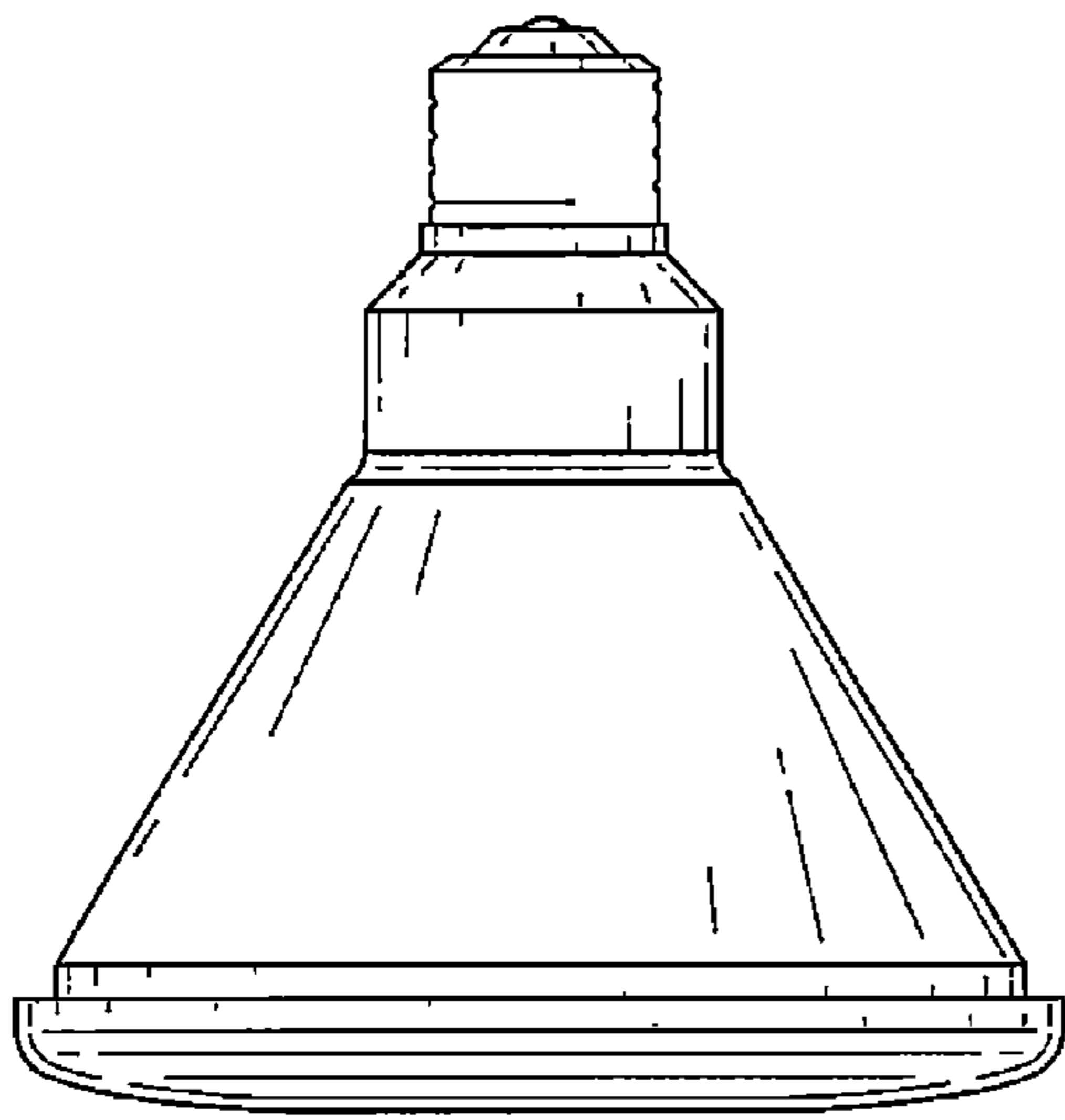


FIG. 3

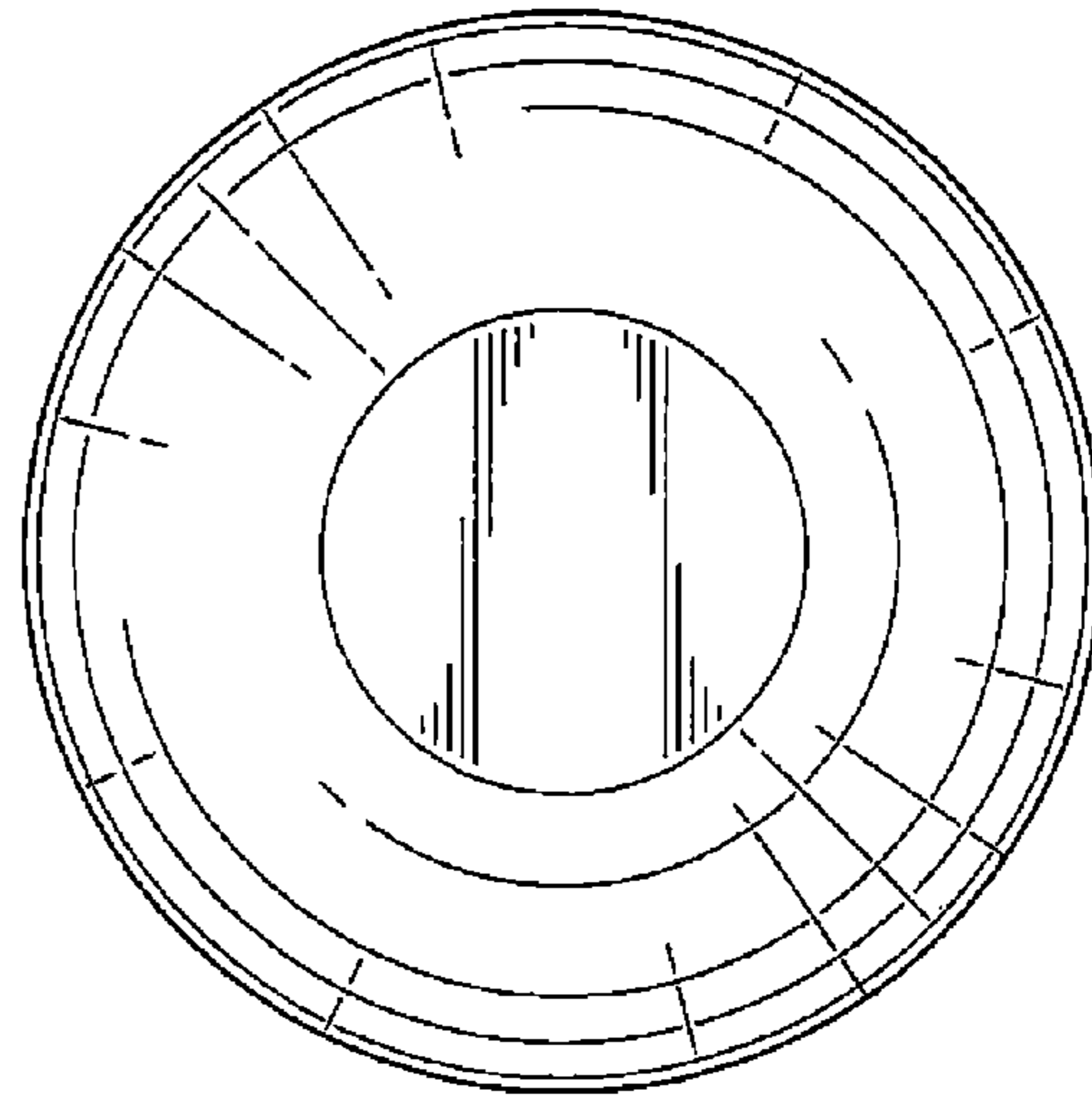


FIG. 4

