



US00D705452S

(12) **United States Design Patent**
Yakos

(10) **Patent No.:** **US D705,452 S**

(45) **Date of Patent:** **** May 20, 2014**

(54) **SPORTS FENCE LEANER**

(76) Inventor: **Bart C. Yakos**, Staunton, IL (US)

(**) Term: **14 Years**

(21) Appl. No.: **29/431,111**

(22) Filed: **Sep. 4, 2012**

(51) **LOC (10) Cl.** **25-01**

(52) **U.S. Cl.**
USPC **D25/135**

(58) **Field of Classification Search**
USPC D25/38.1, 135; 256/1, 11, 19, 24
See application file for complete search history.

(56) **References Cited**

U.S. PATENT DOCUMENTS

903,258	A *	11/1908	Woodson	256/11
4,523,745	A	6/1985	Killman et al.		
4,789,138	A	12/1988	Action		
D299,393	S	1/1989	Sands		
5,340,086	A	8/1994	Dorr		

D444,243	S *	6/2001	Erwin	D25/135
6,305,672	B1	10/2001	Case et al.		
7,118,096	B2	10/2006	Petrozziello		
2005/0218392	A1 *	10/2005	Petrozziello	256/24
2009/0032788	A1 *	2/2009	Adler	256/11
2011/0253960	A1	10/2011	Robinson		

* cited by examiner

Primary Examiner — Doris Clark

(74) *Attorney, Agent, or Firm* — Kyle Fletcher, Esq.

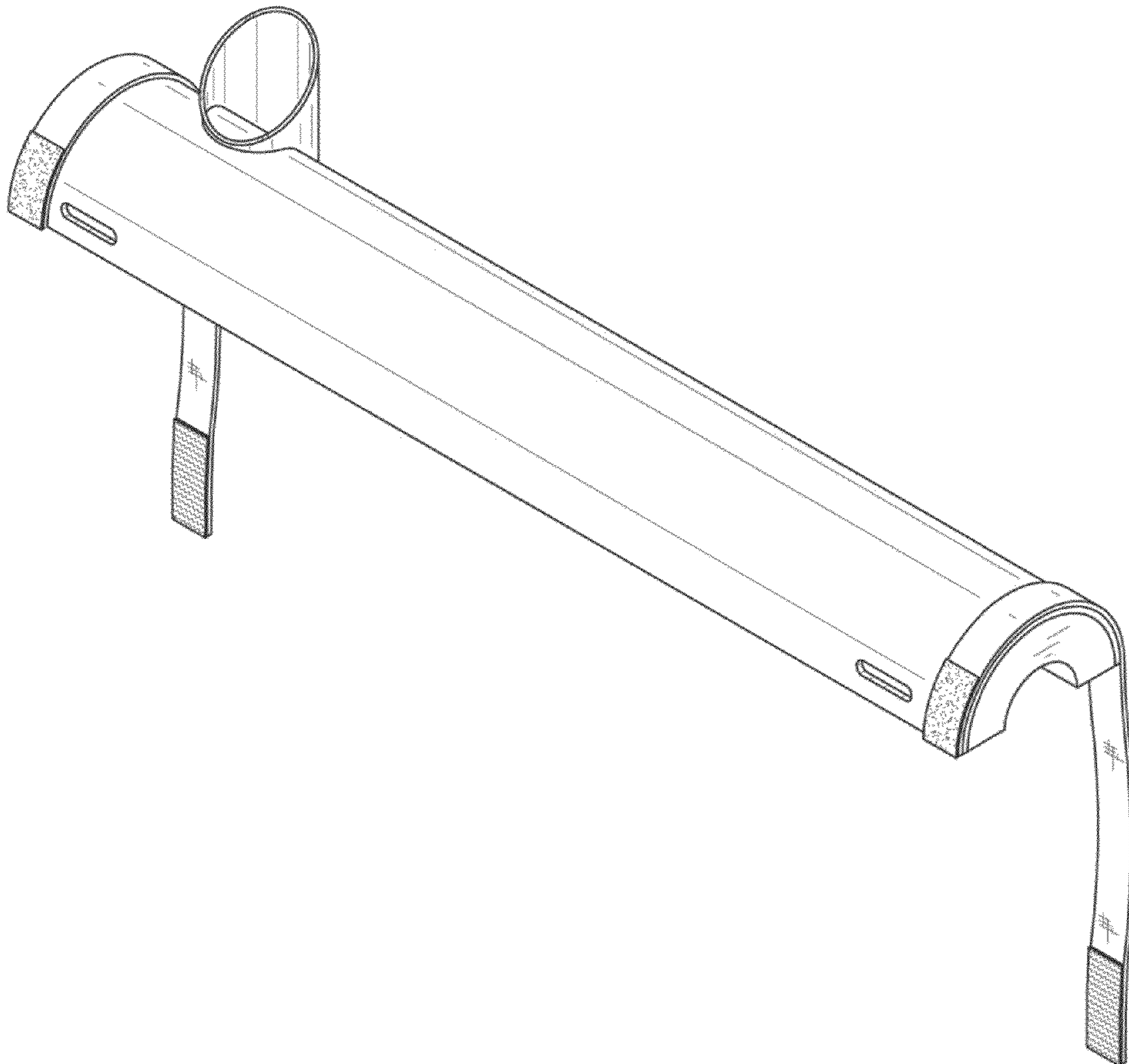
(57) **CLAIM**

I claim the ornamental design for a sports fence leaner, as shown and described.

DESCRIPTION

FIG. 1 is a front view of the sports fence leaner.
FIG. 2 is a rear view of the claimed design.
FIG. 3 is a side view of the claimed design.
FIG. 4 is a top view of the claimed design.
FIG. 5 is a bottom view of the claimed design; and,
FIG. 6 is a perspective view of the claimed design.

1 Claim, 5 Drawing Sheets



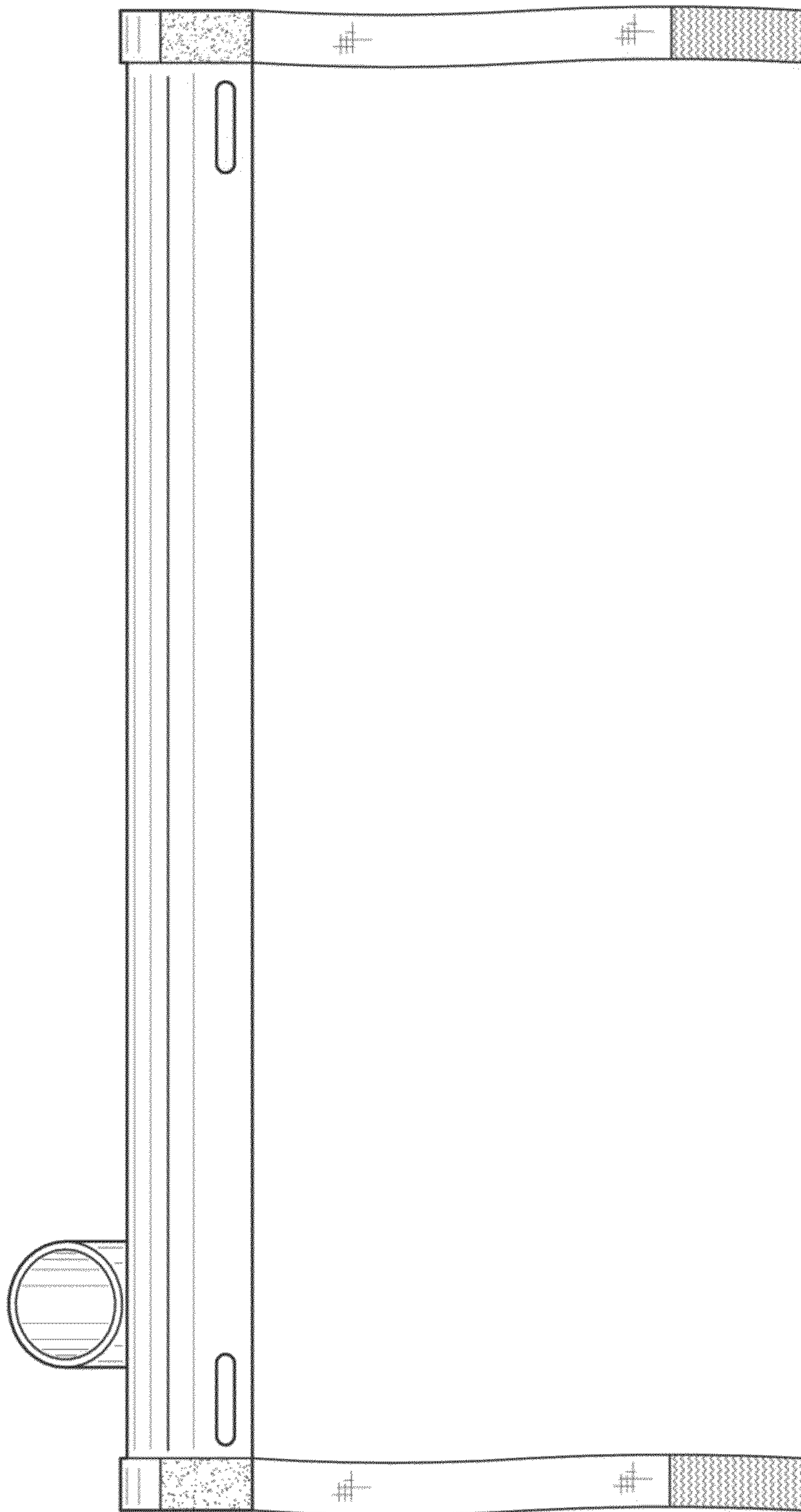


FIG. 1

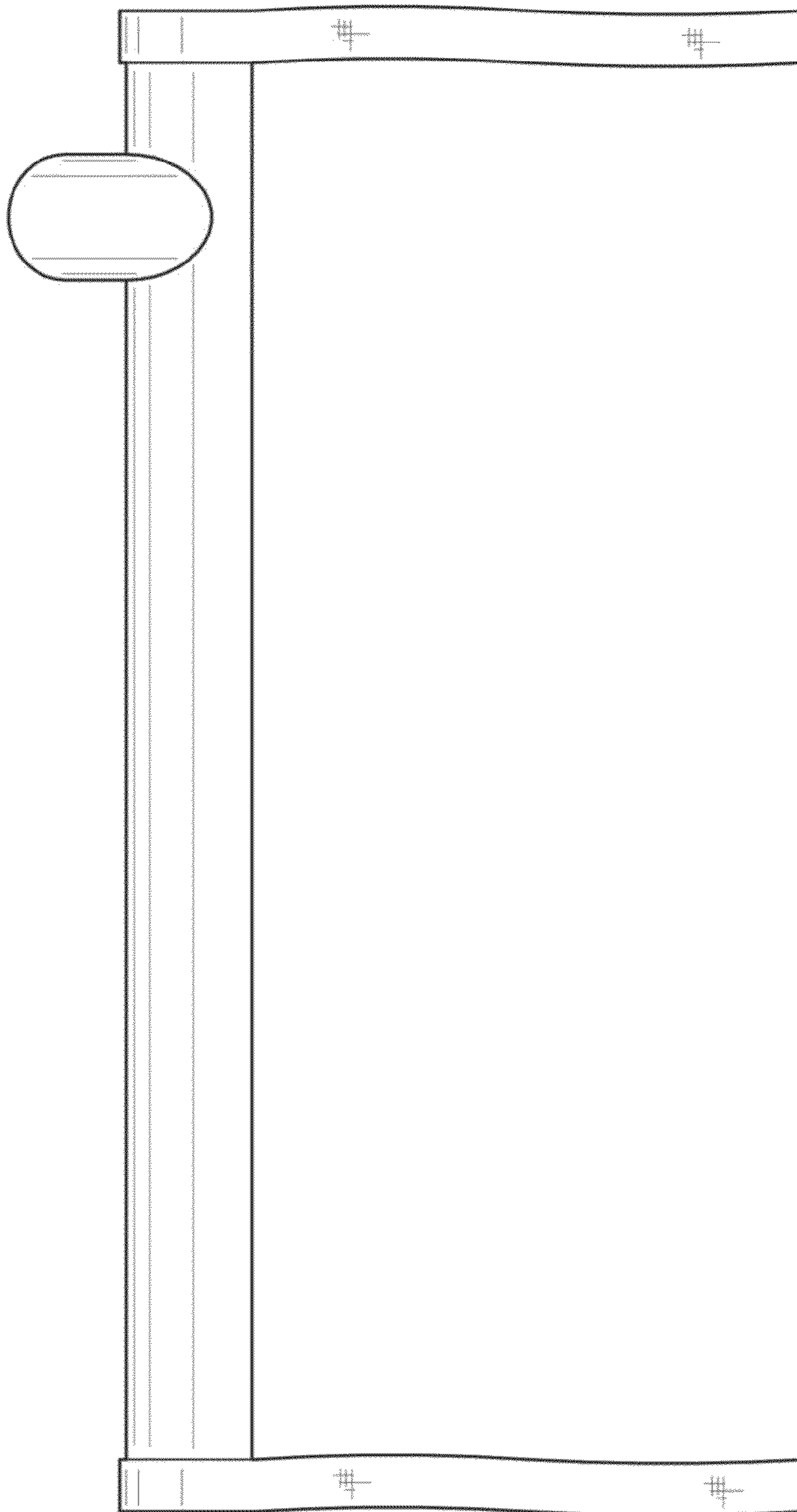


FIG. 2

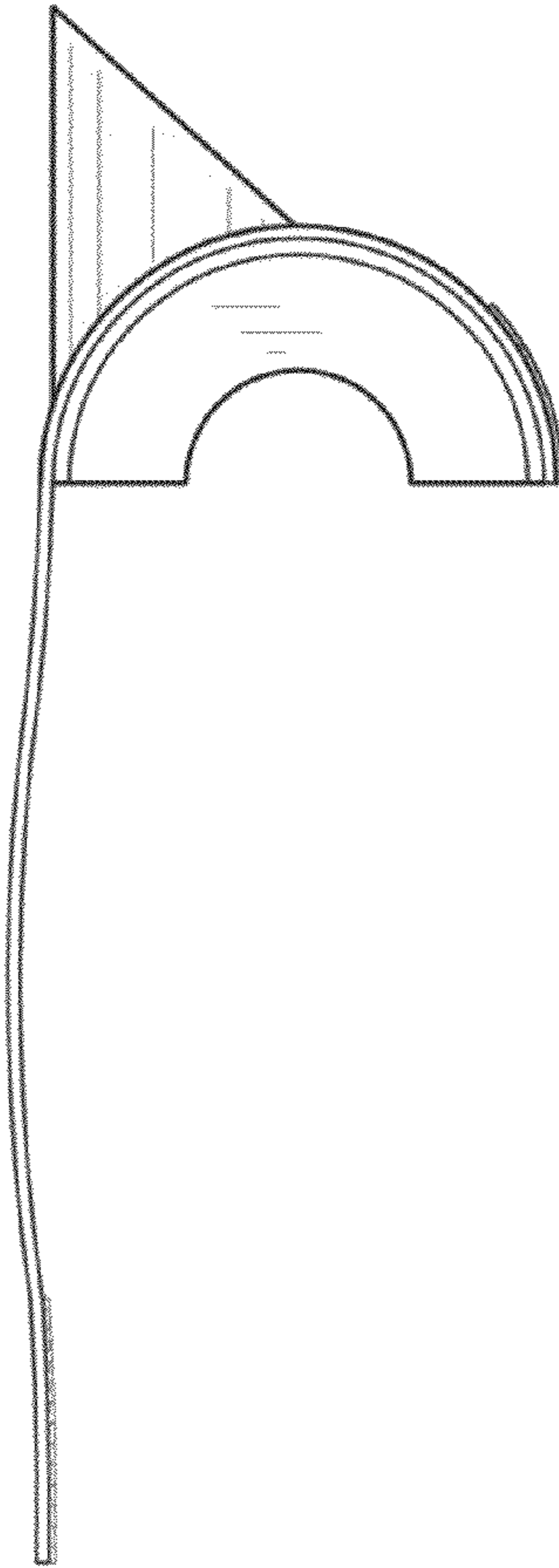


FIG. 3

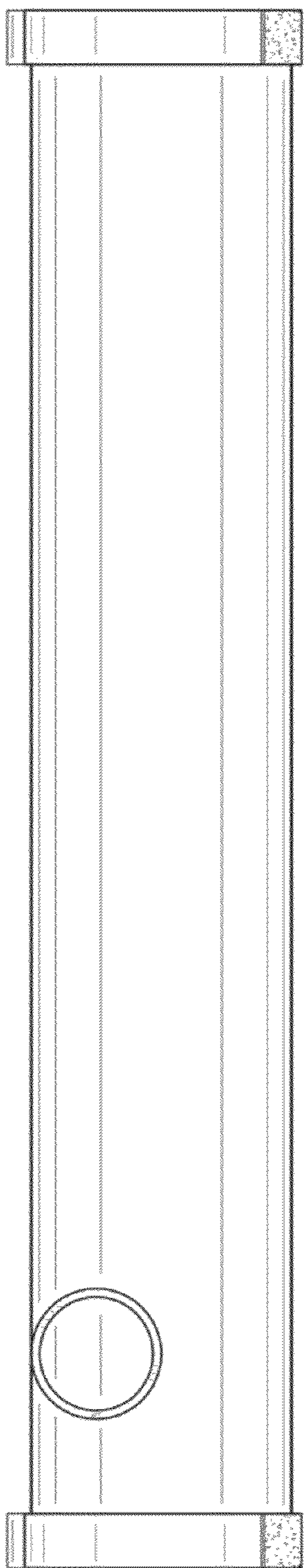


FIG. 4

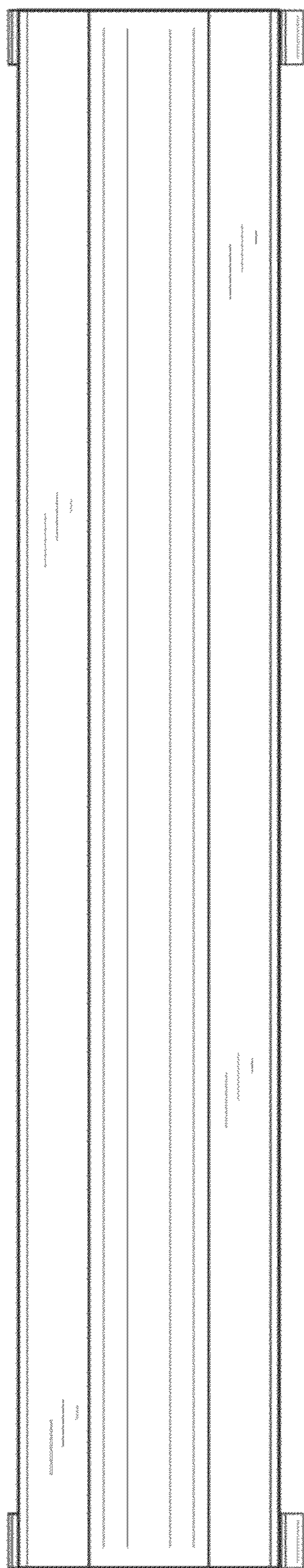


FIG. 5

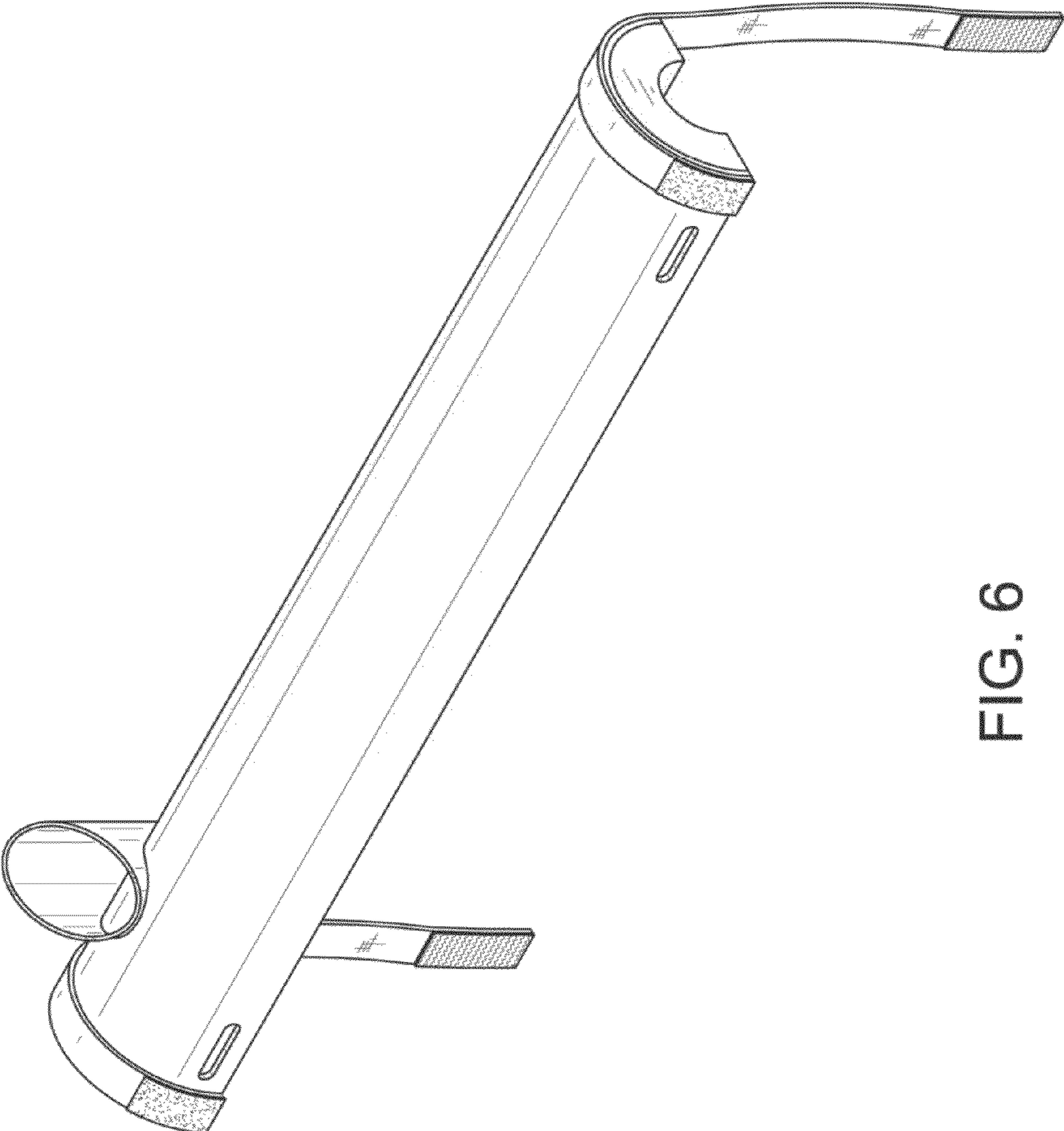


FIG. 6