



US00D705450S

(12) **United States Design Patent**  
**Landry**

(10) **Patent No.:** **US D705,450 S**

(45) **Date of Patent:** **\*\* May 20, 2014**

- (54) **GREENHOUSE GANTRY**
- (75) Inventor: **Robert N. Landry**, Carlton, OR (US)
- (73) Assignee: **Iwasaki Bros., Inc.**, Hillsboro, OR (US)
- (\*\*) Term: **14 Years**
- (21) Appl. No.: **29/418,348**
- (22) Filed: **Apr. 16, 2012**
- (51) **LOC (10) Cl.** ..... **25-04**
- (52) **U.S. Cl.**  
USPC ..... **D25/62**
- (58) **Field of Classification Search**  
USPC ..... D32/1, 4, 33, 35, 60–62, 199;  
52/36.1–36.2, 73, 86, 223.12, 641,  
52/644–645; 14/13  
See application file for complete search history.

5,617,931	A *	4/1997	Zygmund et al.	182/145
5,701,713	A *	12/1997	Silver	52/645
D406,364	S *	3/1999	Robert et al.	D25/199
D450,132	S *	11/2001	Garner et al.	D25/1
D601,718	S *	10/2009	Chang	D25/61
8,065,762	B1 *	11/2011	Ewing	5/127
8,186,120	B2 *	5/2012	Beck	52/644
8,613,176	B2 *	12/2013	Daas et al.	52/645
8,621,815	B2 *	1/2014	Daas et al.	52/645
2007/0297717	A1 *	12/2007	Watanabe	385/24
2013/0263529	A1 *	10/2013	Wilson	52/86

**OTHER PUBLICATIONS**

Gantry, Iwasaki Bros., Inc., 1 page, Jun. 2011.

\* cited by examiner

*Primary Examiner* — T. Chase Nelson

*Assistant Examiner* — Kathleen M Sims

(74) *Attorney, Agent, or Firm* — Alleman Hall McCoy Russell & Tuttle LLP

(56) **References Cited**

**U.S. PATENT DOCUMENTS**

1,554,061	A *	9/1925	Wylie	52/122.1
1,681,572	A *	8/1928	Ewing	52/644
1,800,988	A *	4/1931	Ewing	52/644
2,251,578	A *	8/1941	Rietzke	52/642
2,369,525	A *	2/1945	Blaski	52/642
2,793,720	A *	5/1957	Hawes	52/640
3,058,549	A *	10/1962	Anderson	52/127.1
D228,393	S *	9/1973	France	D25/61
4,259,825	A *	4/1981	Frosch et al.	52/645
4,325,207	A *	4/1982	Russell et al.	52/641
4,373,305	A *	2/1983	Russell	52/86
4,561,227	A *	12/1985	Austin	52/223.12
4,597,239	A *	7/1986	Matz et al.	52/644
4,676,045	A *	6/1987	Ellen	52/745.2
D297,864	S *	9/1988	Funk	D25/61
4,890,429	A *	1/1990	Gatzka et al.	52/640
5,159,790	A *	11/1992	Harding	52/86
5,237,792	A *	8/1993	Oberman et al.	52/645
5,343,660	A *	9/1994	Caoduro et al.	52/86

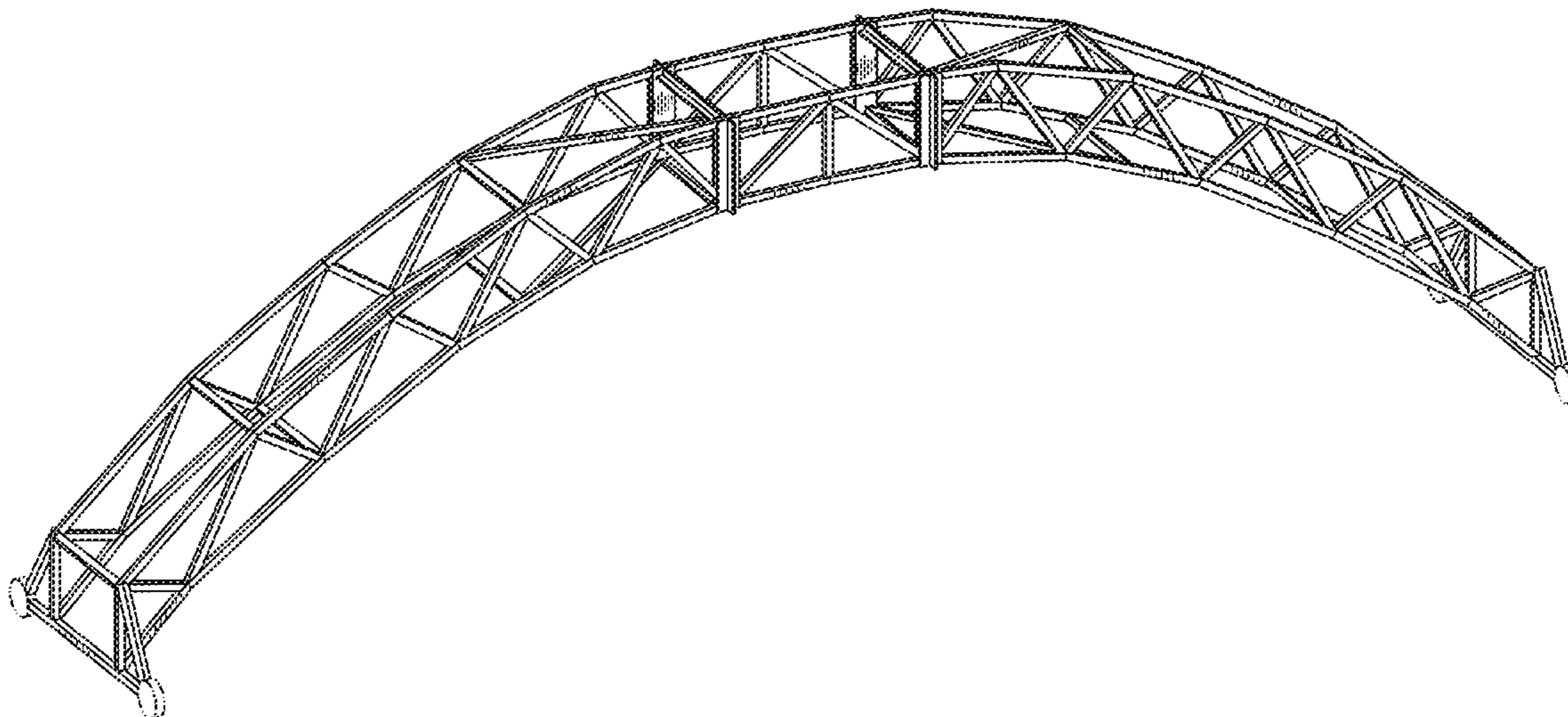
(57) **CLAIM**

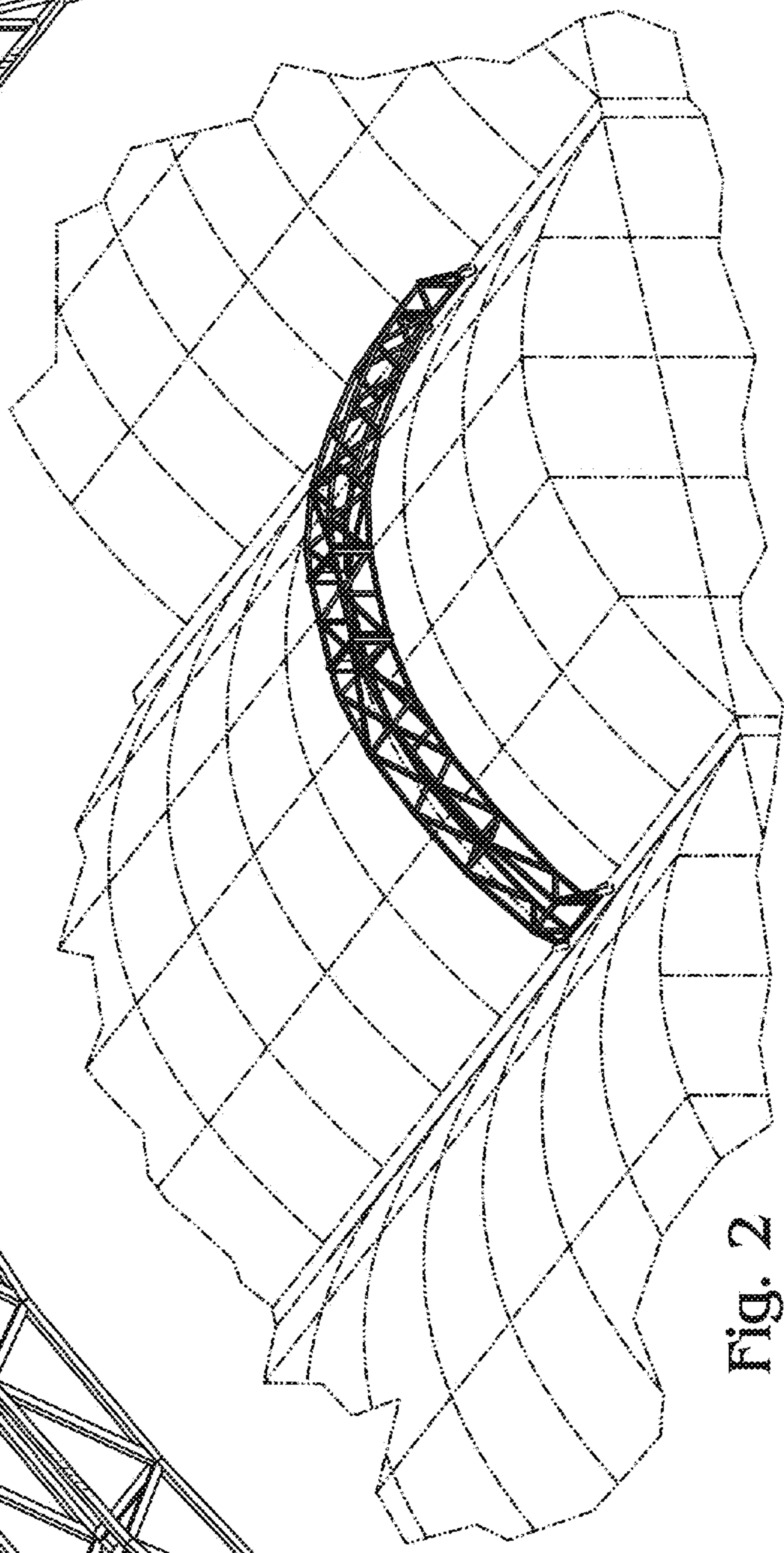
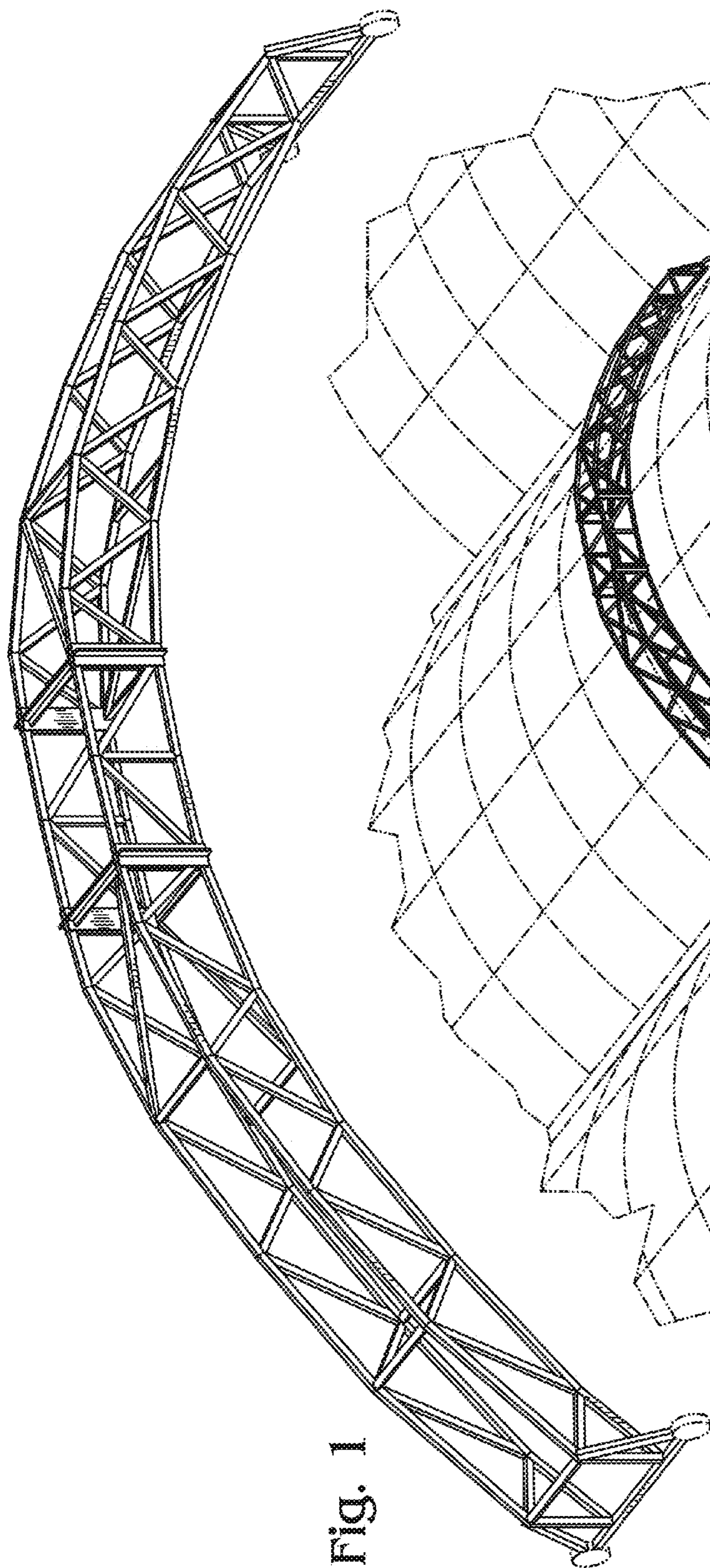
The ornamental design for a greenhouse gantry, as shown and described.

**DESCRIPTION**

FIG. 1 is a first front perspective view of a greenhouse gantry showing my new design;  
 FIG. 2 is a second front perspective view thereof drawn in a smaller scale and shown in its environment;  
 FIG. 3 is a front view thereof, the back view being a mirror image of the front view;  
 FIG. 4 is a side view thereof;  
 FIG. 5 is a top plan view thereof; and,  
 FIG. 6 is a bottom view thereof.  
 The broken lines in the drawings depict environmental subject matter only and form no part of the claimed design.

**1 Claim, 3 Drawing Sheets**







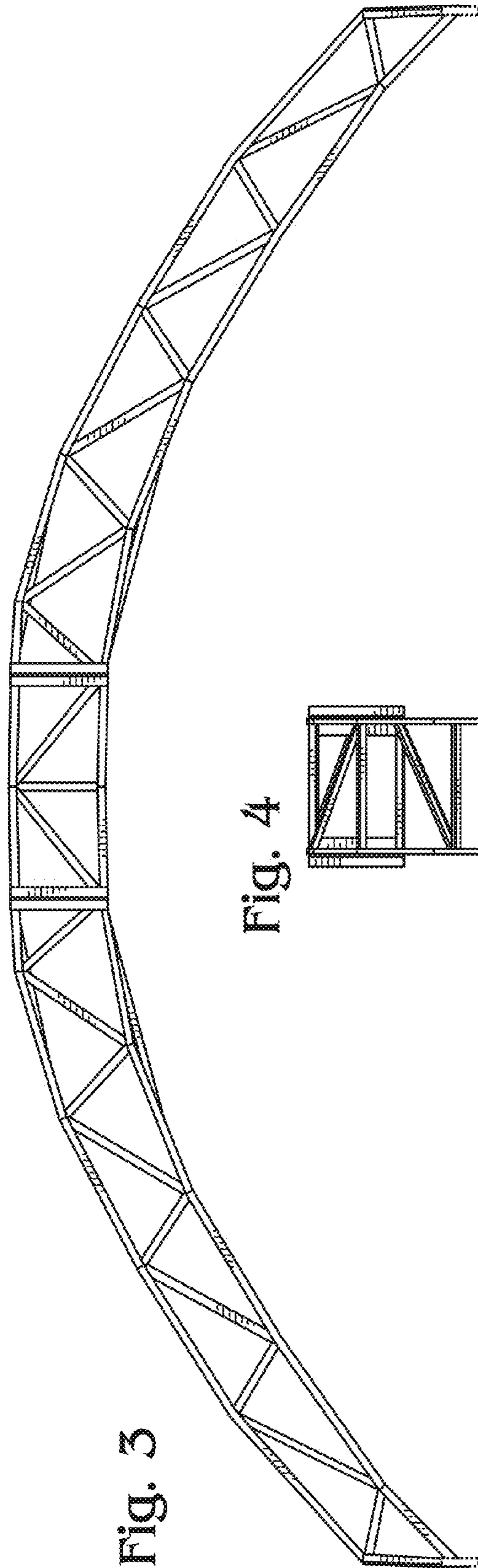


Fig. 3

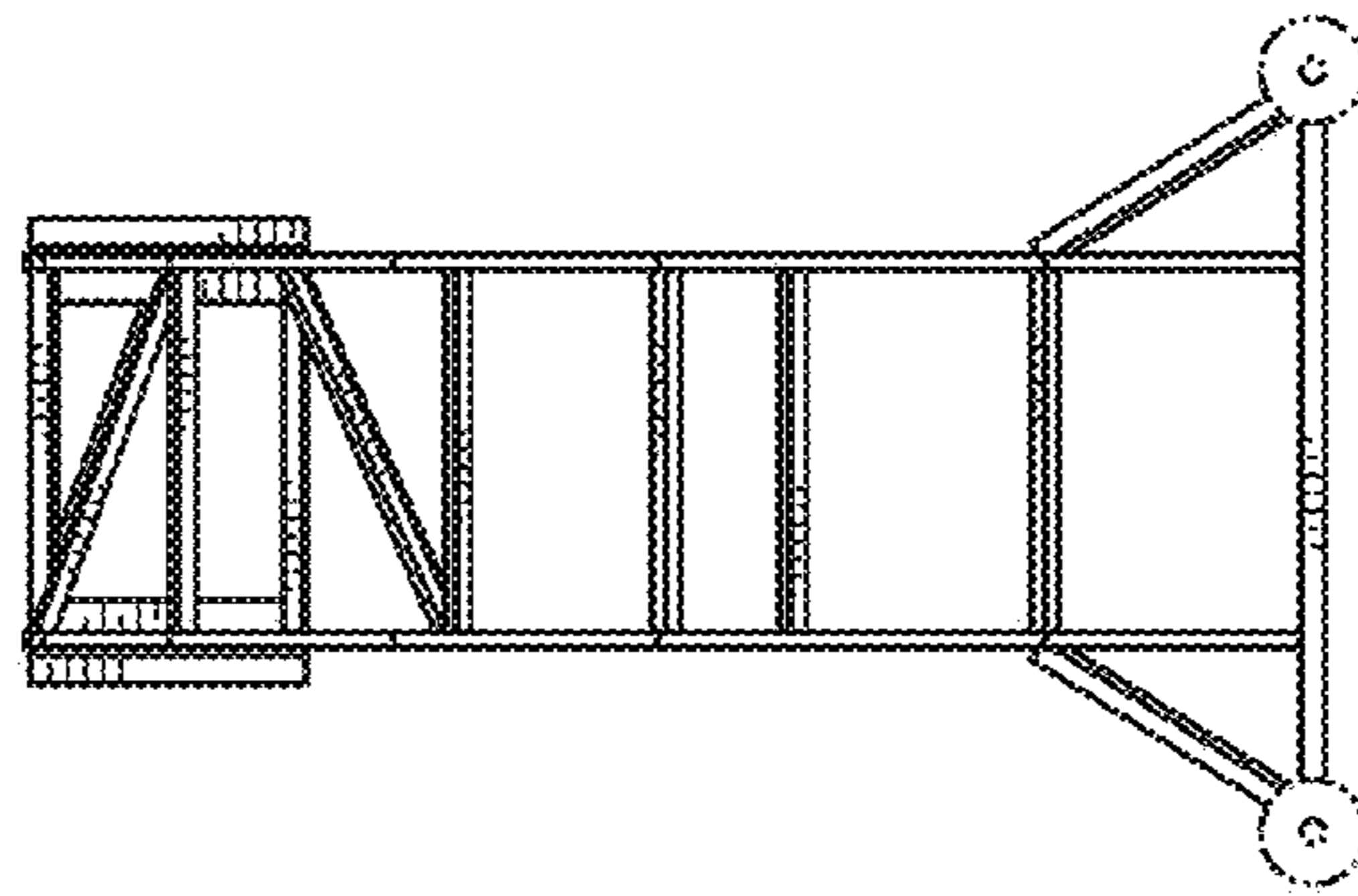


Fig. 4

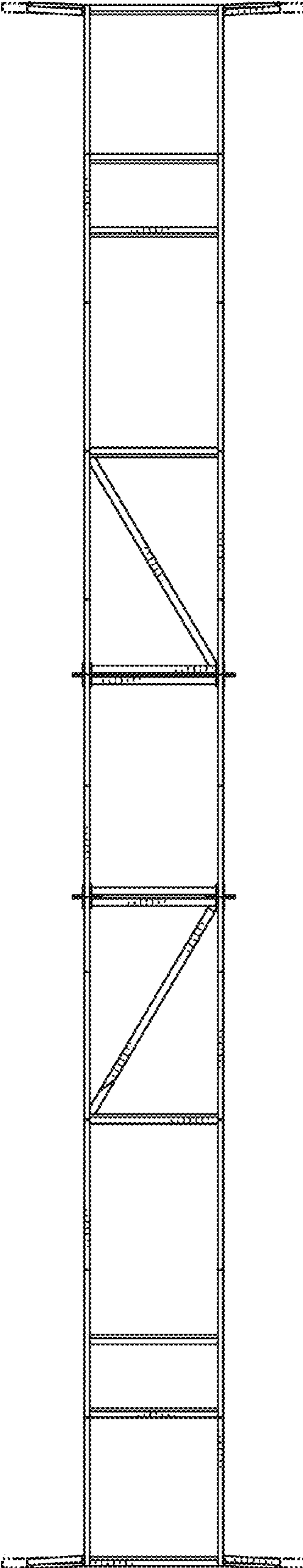


Fig. 5

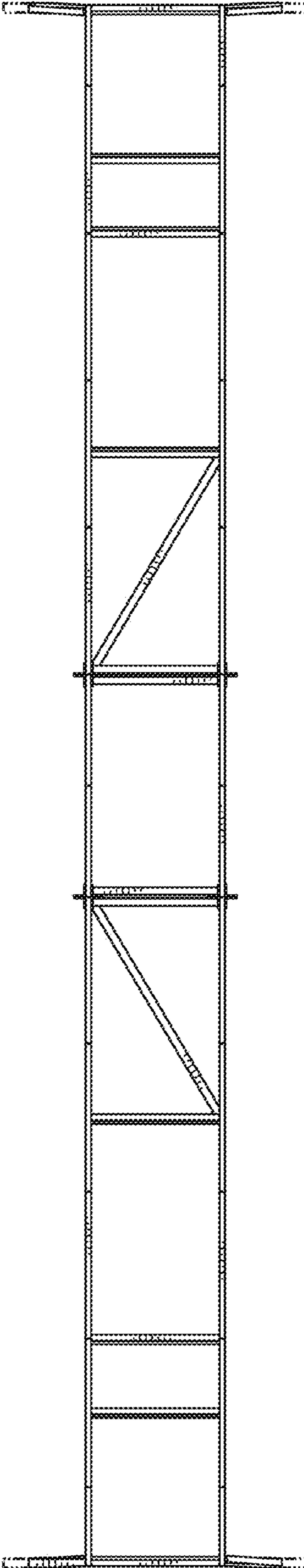


Fig. 6