



US00D705448S

(12) **United States Design Patent**  
**Koyama et al.**

(10) **Patent No.:** **US D705,448 S**

(45) **Date of Patent:** **\*\* May 20, 2014**

(54) **TOILET UNIT**

(71) Applicant: **The Yokohama Rubber Co., Ltd.**,  
Tokyo (JP)

(72) Inventors: **Takashi Koyama**, Kanagawa (JP);  
**Masayuki Fushimi**, Tokyo (JP)

(73) Assignee: **The Yokohama Rubber Co., Ltd.** (JP)

(\*\*) Term: **14 Years**

(21) Appl. No.: **29/445,094**

(22) Filed: **Feb. 7, 2013**

(30) **Foreign Application Priority Data**

Aug. 7, 2012 (JP) ..... 2012-018950

(51) **LOC (10) Cl.** ..... **25-02**

(52) **U.S. Cl.**  
USPC ..... **D25/48.3**

(58) **Field of Classification Search**  
USPC ..... D23/270–271, 274; D8/313, 314, 317,  
D8/321; D12/345, 40, 43; 244/119–120,  
244/117 R; D25/48.3, 48.4, 16  
See application file for complete search history.

(56) **References Cited**

**U.S. PATENT DOCUMENTS**

2,294,856 A \* 9/1942 West ..... D25/48.3  
2,915,118 A \* 12/1959 Capitani ..... D25/48.4  
D198,201 S \* 5/1964 Clayton ..... D8/317  
D230,681 S \* 3/1974 Lhota ..... D25/48.3  
D244,694 S \* 6/1977 McClure ..... D25/16  
4,779,388 A \* 10/1988 Gibney ..... D25/16

5,150,863 A \* 9/1992 Hozumi ..... D12/345  
D391,468 S \* 3/1998 Doxey et al. .... D8/313  
D402,528 S \* 12/1998 Brucker ..... D8/313  
D460,677 S \* 7/2002 Proot et al. .... D8/317  
D487,137 S \* 2/2004 Itakura ..... D23/274  
D578,370 S \* 10/2008 Samhammer et al. .... D8/313  
D624,483 S \* 9/2010 Schuephaus et al. .... D12/345

\* cited by examiner

*Primary Examiner* — Robert Delehanty

(74) *Attorney, Agent, or Firm* — Banner & Witcoff, Ltd.

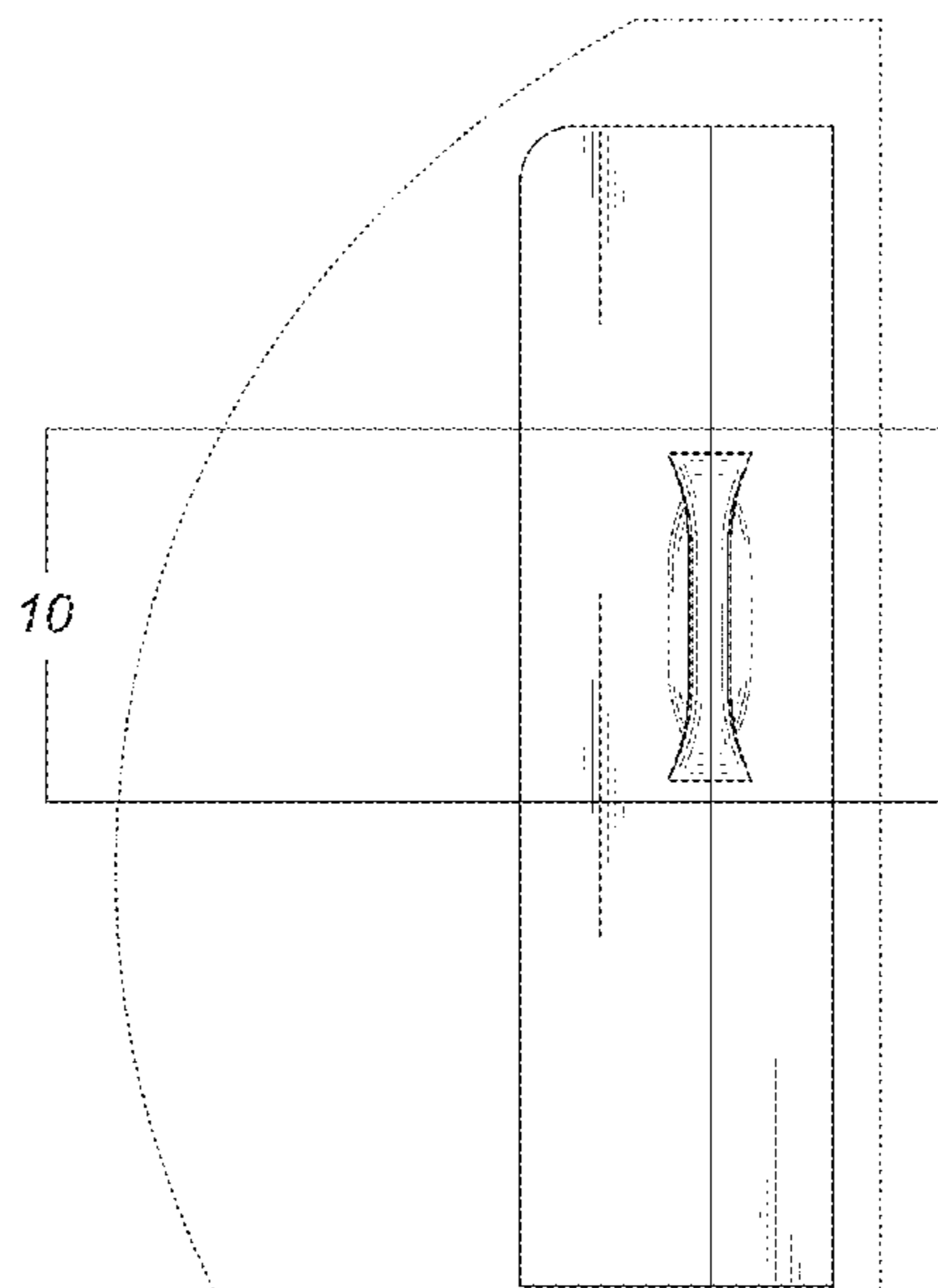
(57) **CLAIM**

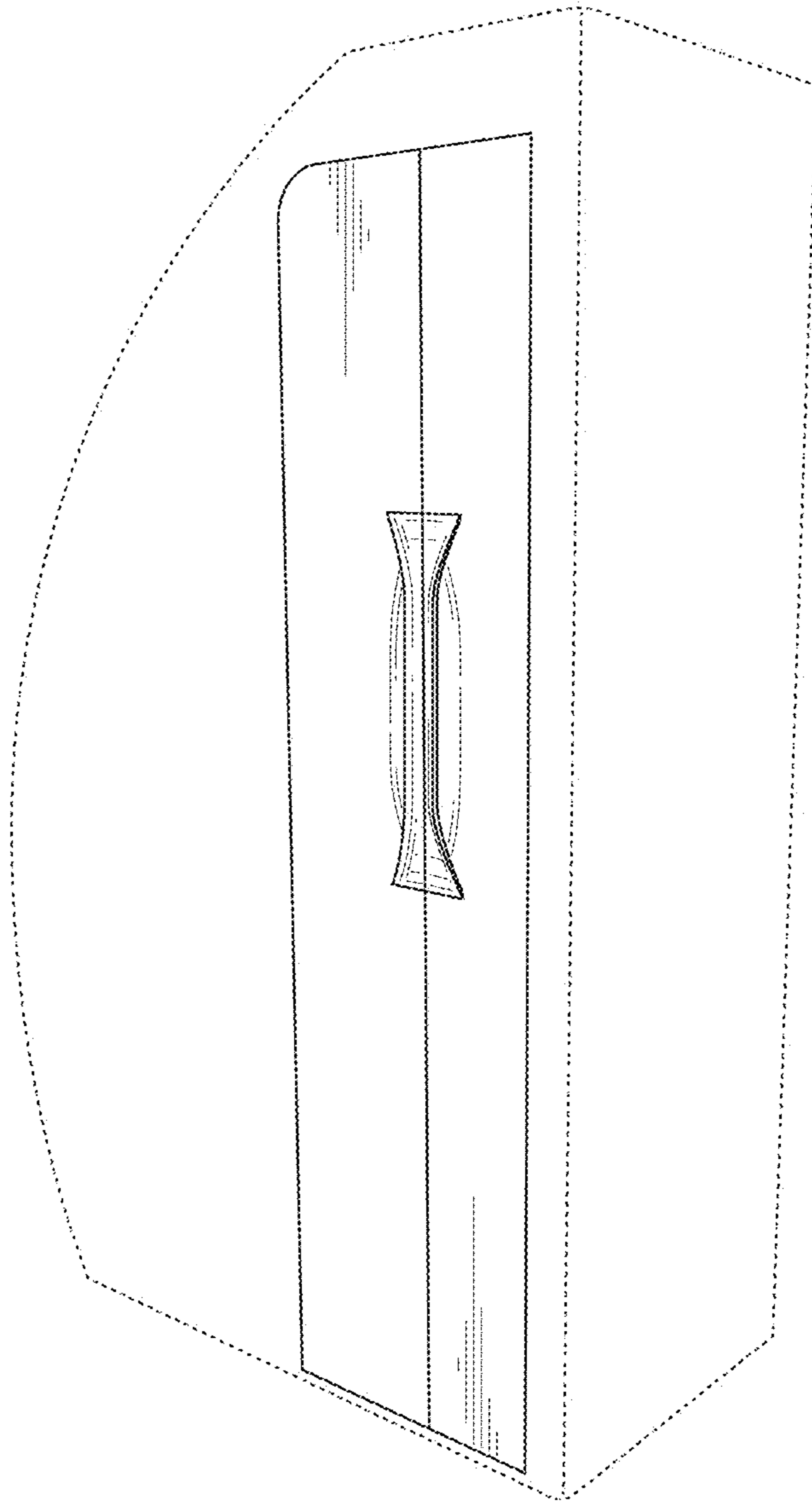
The ornamental design for a toilet unit, as shown and described.

**DESCRIPTION**

FIG. 1 is a perspective view of front and right side of a toilet unit showing our new design;  
FIG. 2 is a front view thereof;  
FIG. 3 is a rear view thereof;  
FIG. 4 is a left side view thereof;  
FIG. 5 is a right side view thereof;  
FIG. 6 is a top view thereof;  
FIG. 7 is a bottom view thereof;  
FIG. 8 is a perspective view showing an interior thereof;  
FIG. 9 is another perspective view showing an interior thereof; and,  
FIG. 10 is an enlarged view at a square portion of FIG. 2 thereof.  
The portions of the article in broken lines are shown for illustrative purposes only and form no part of the claimed design.

**1 Claim, 8 Drawing Sheets**





*FIG. 1*

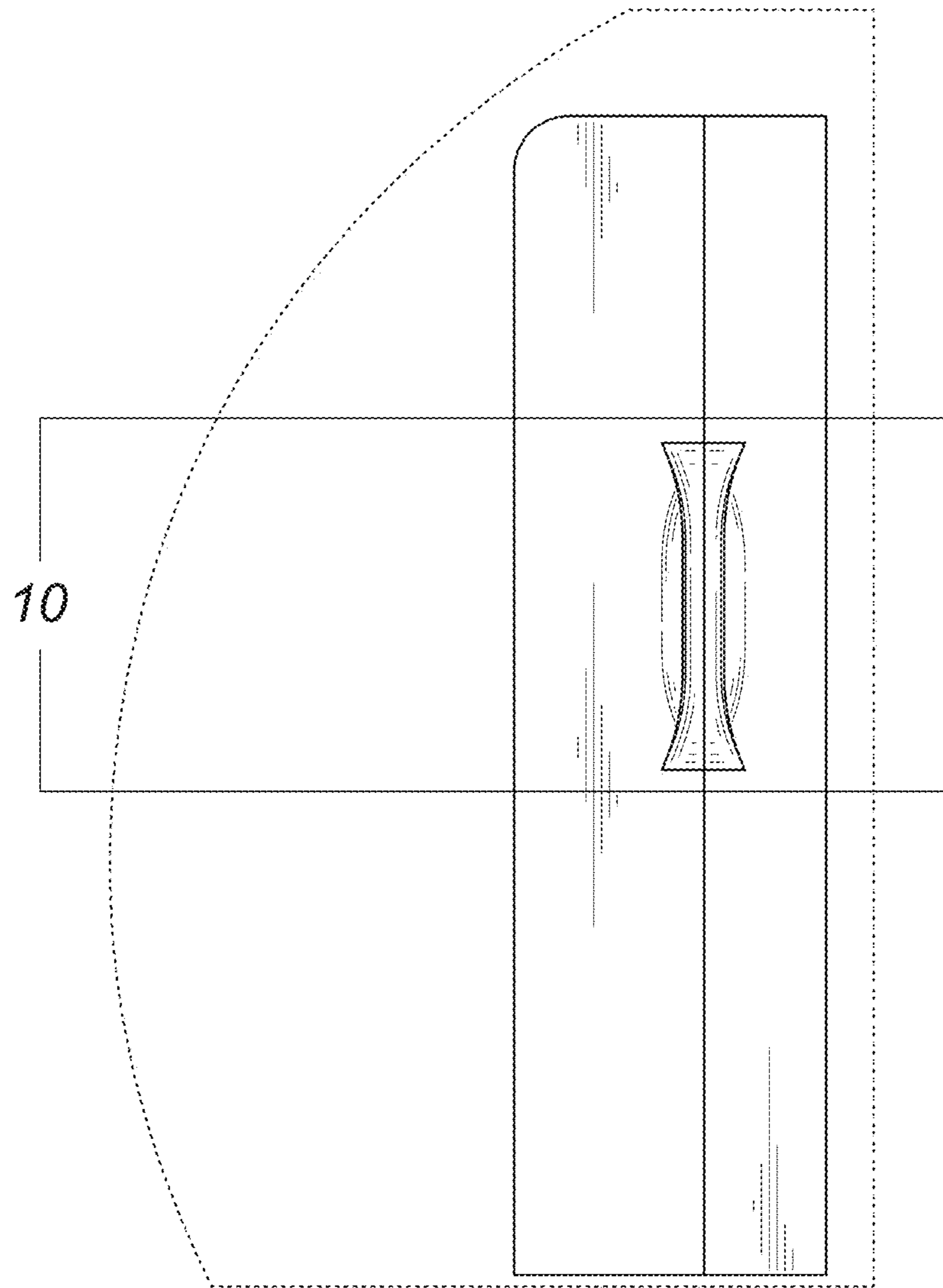
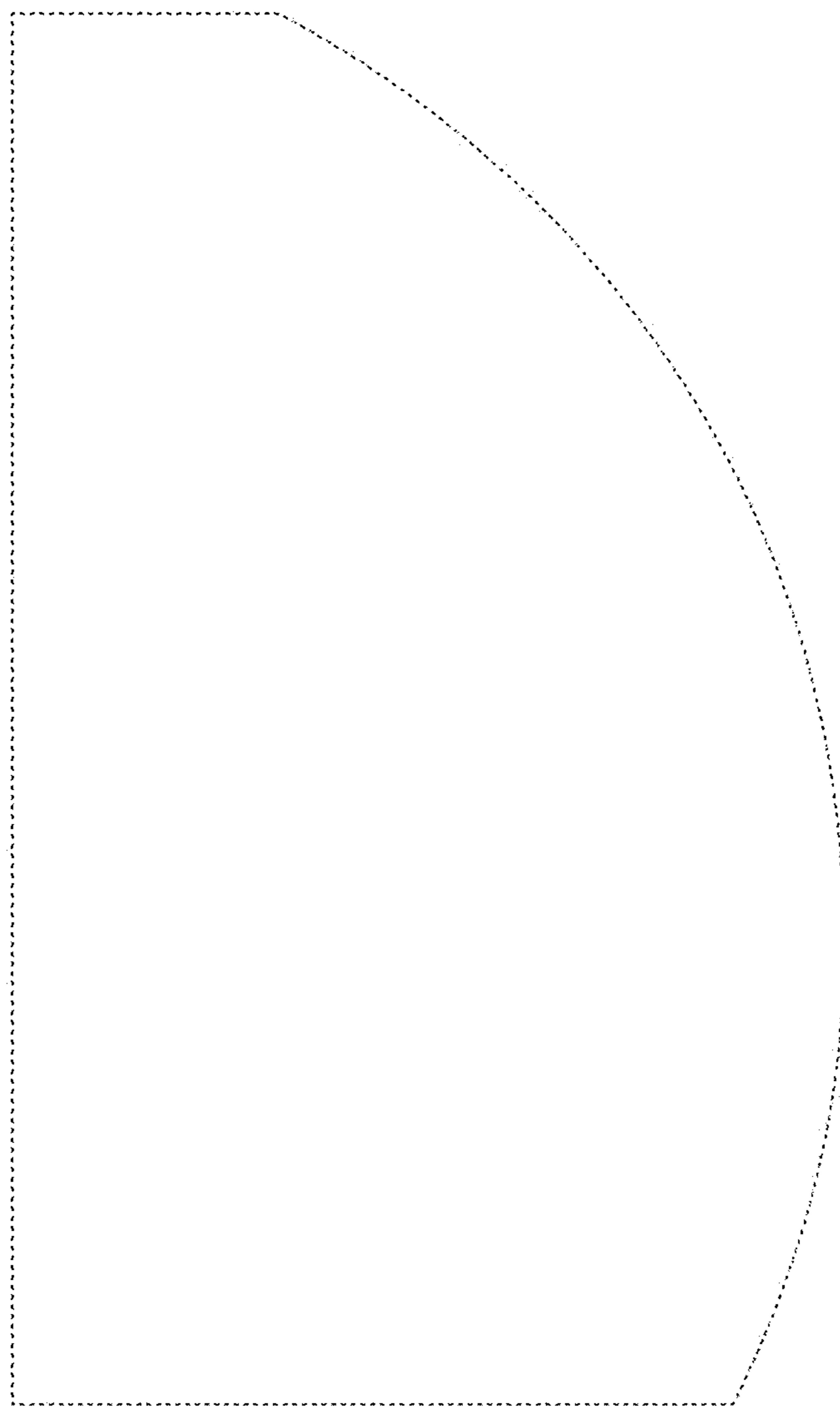
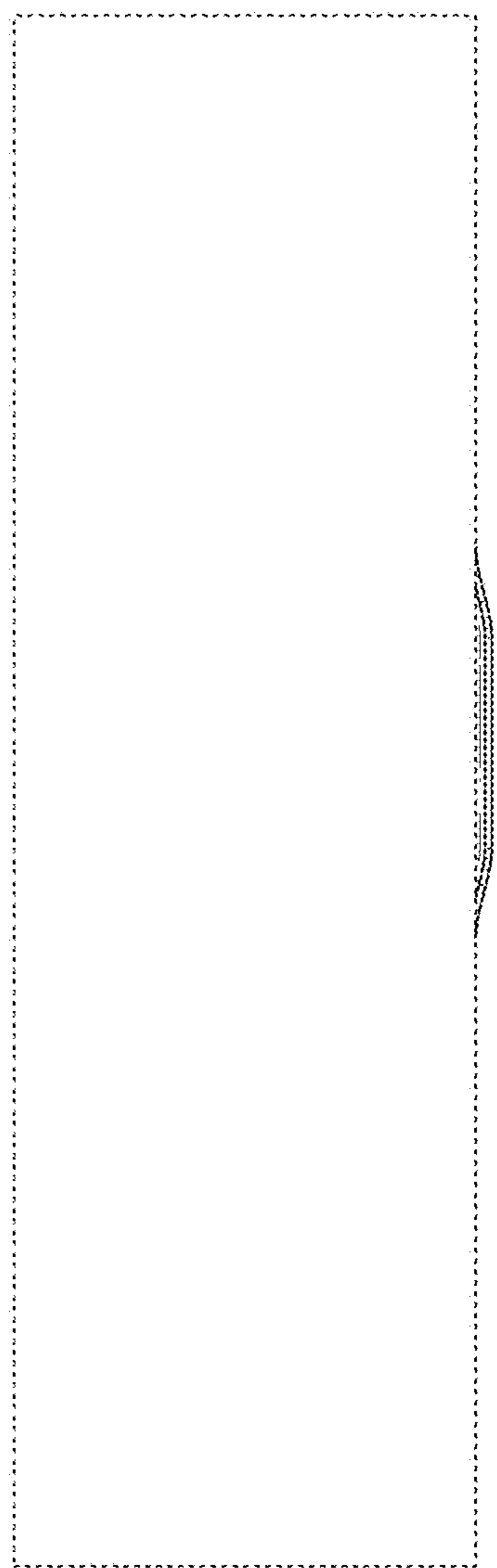


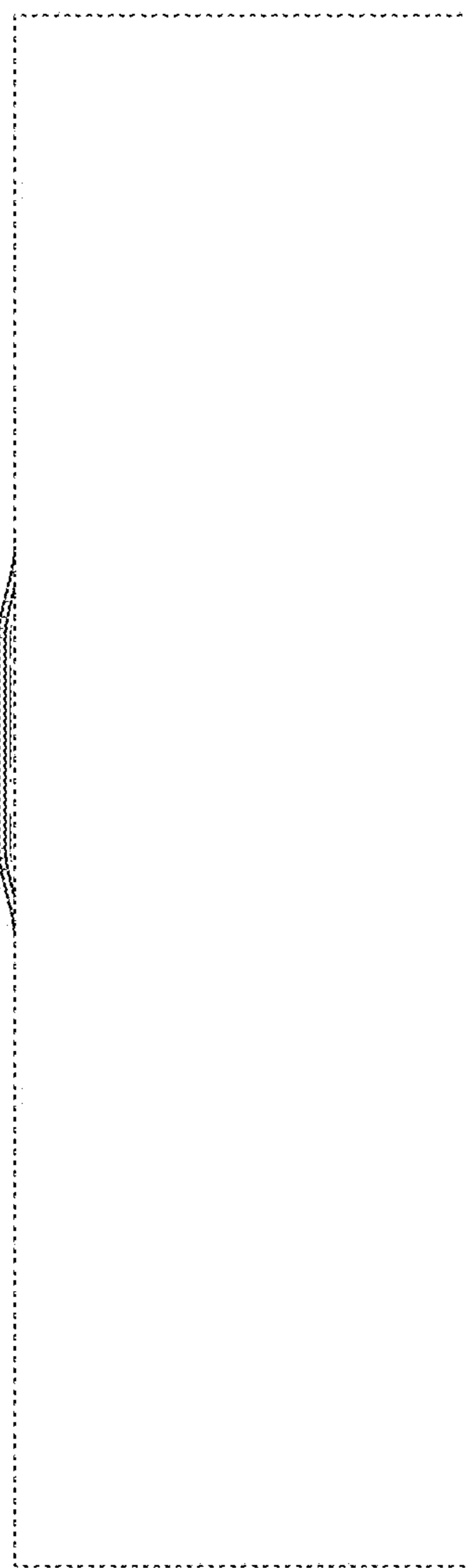
FIG. 2



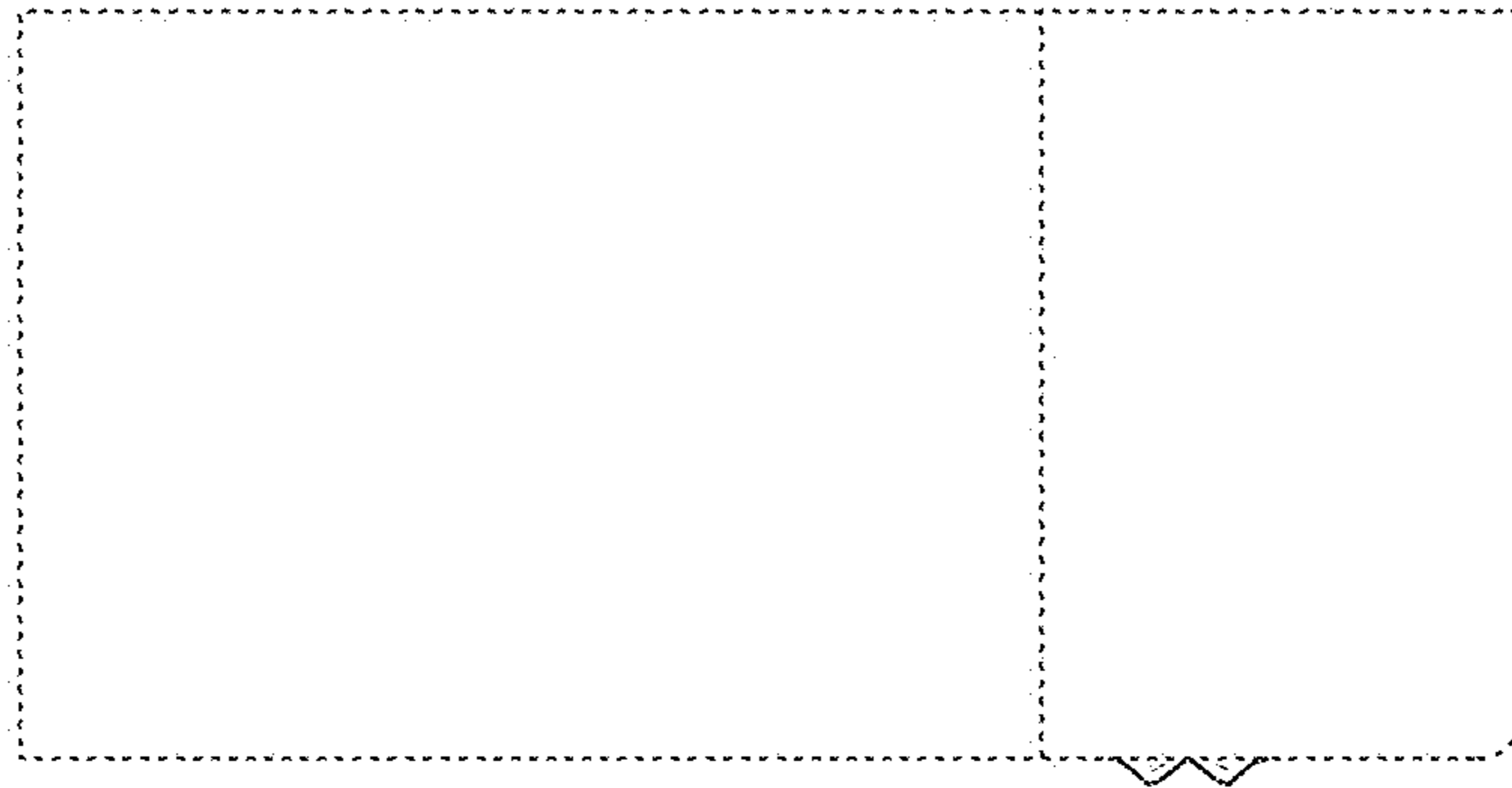
*FIG. 3*



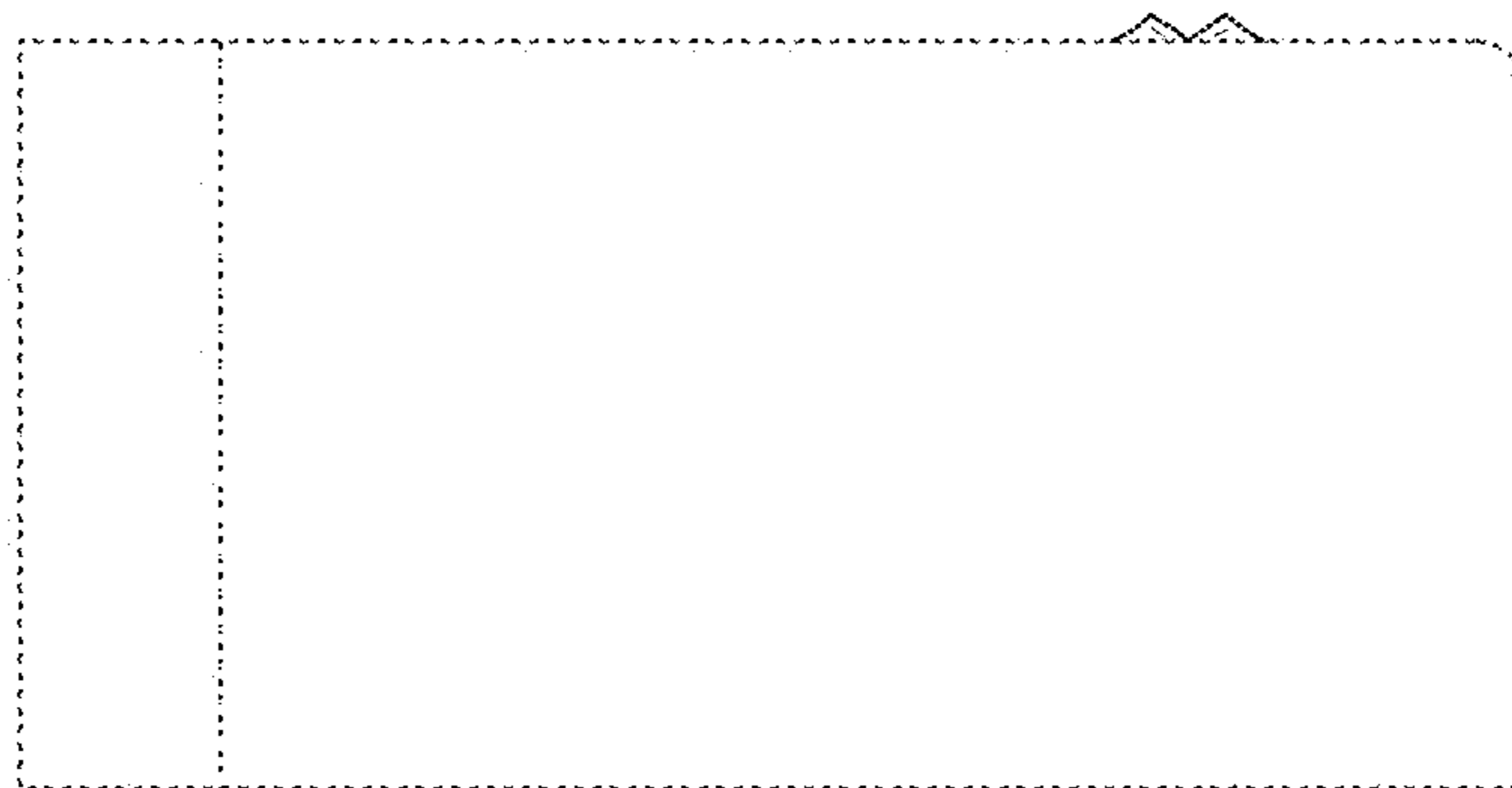
*FIG. 4*



*FIG. 5*



*FIG. 6*



*FIG. 7*

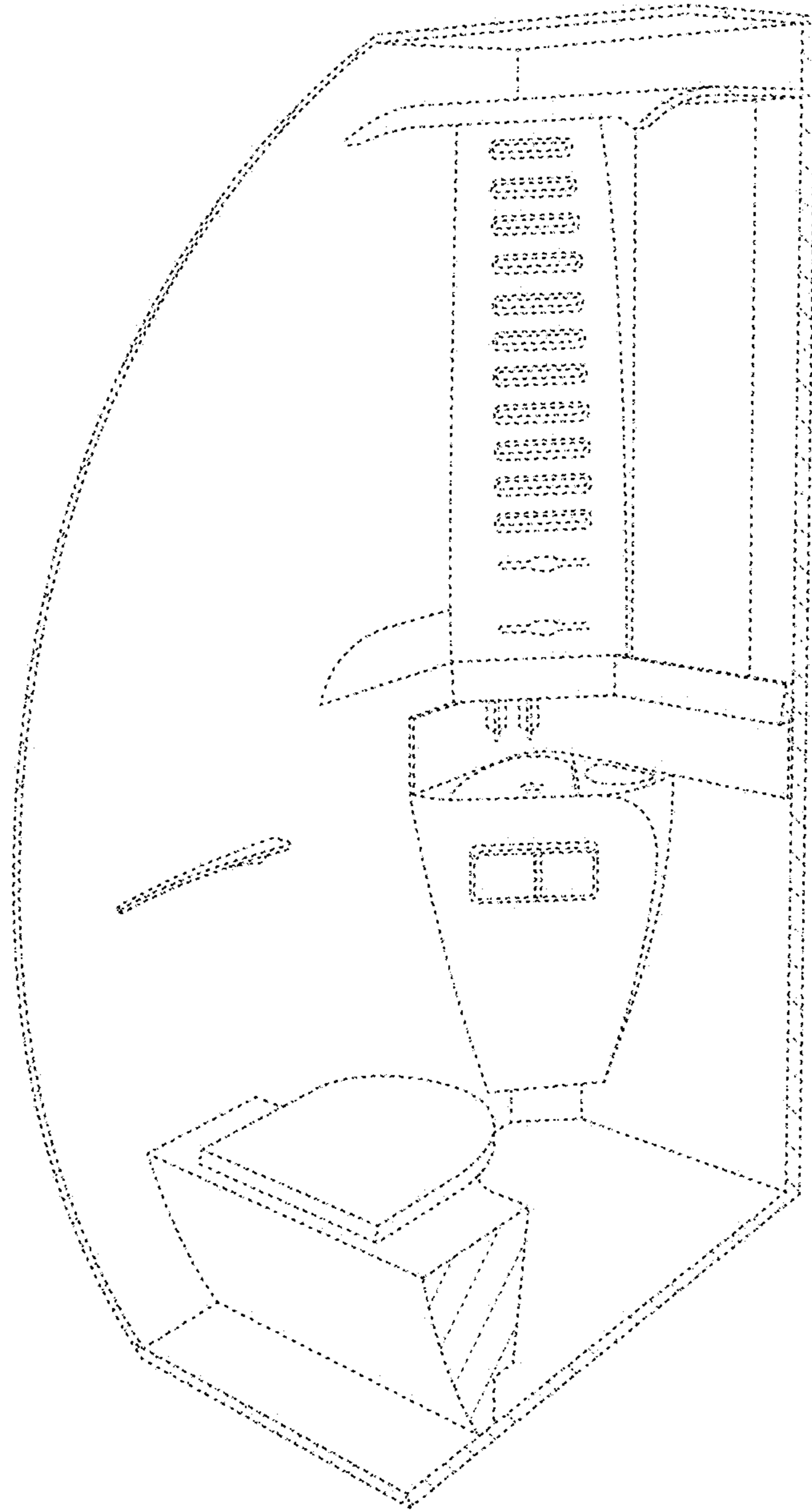
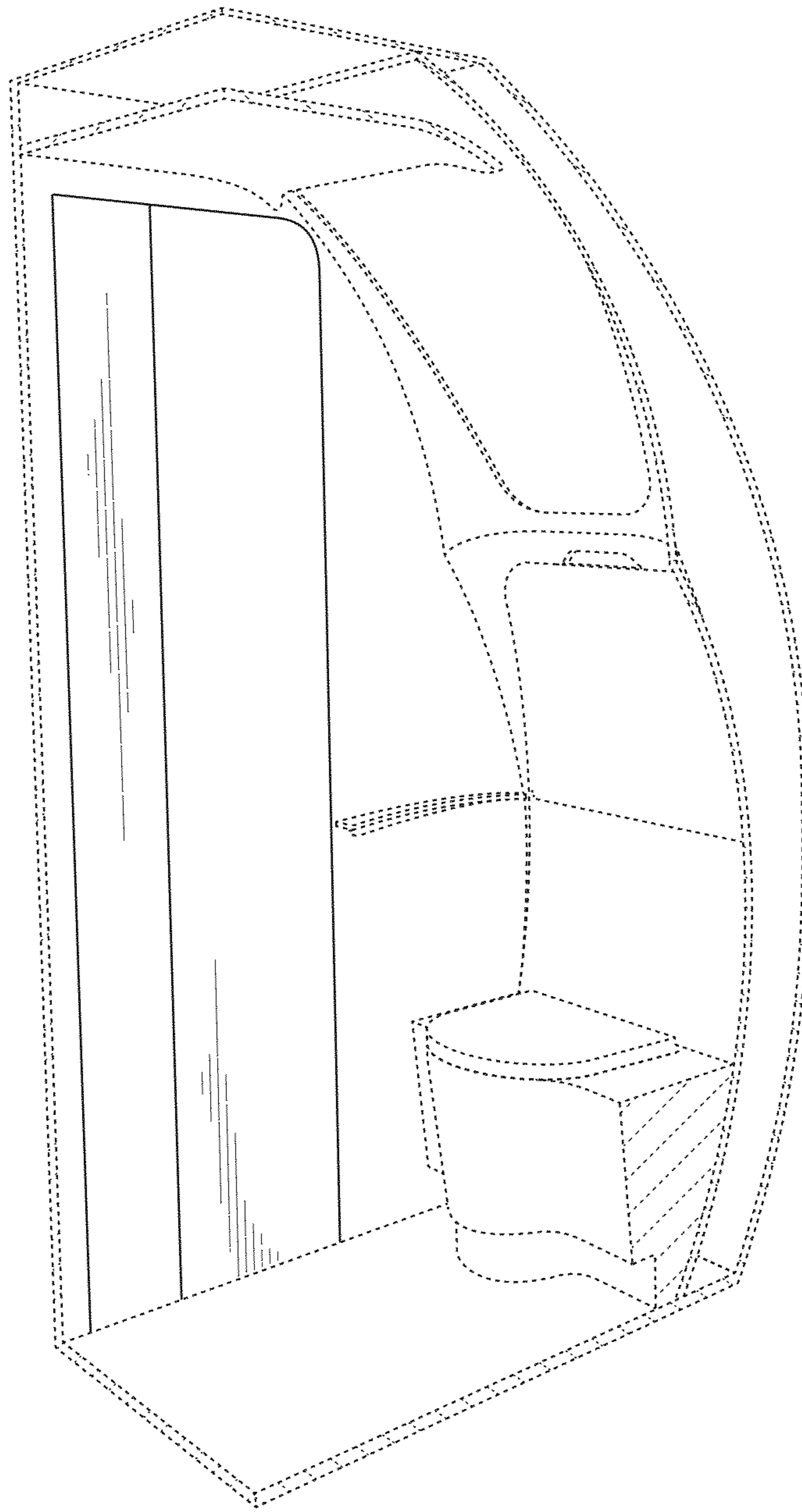


FIG. 8



**FIG. 9**



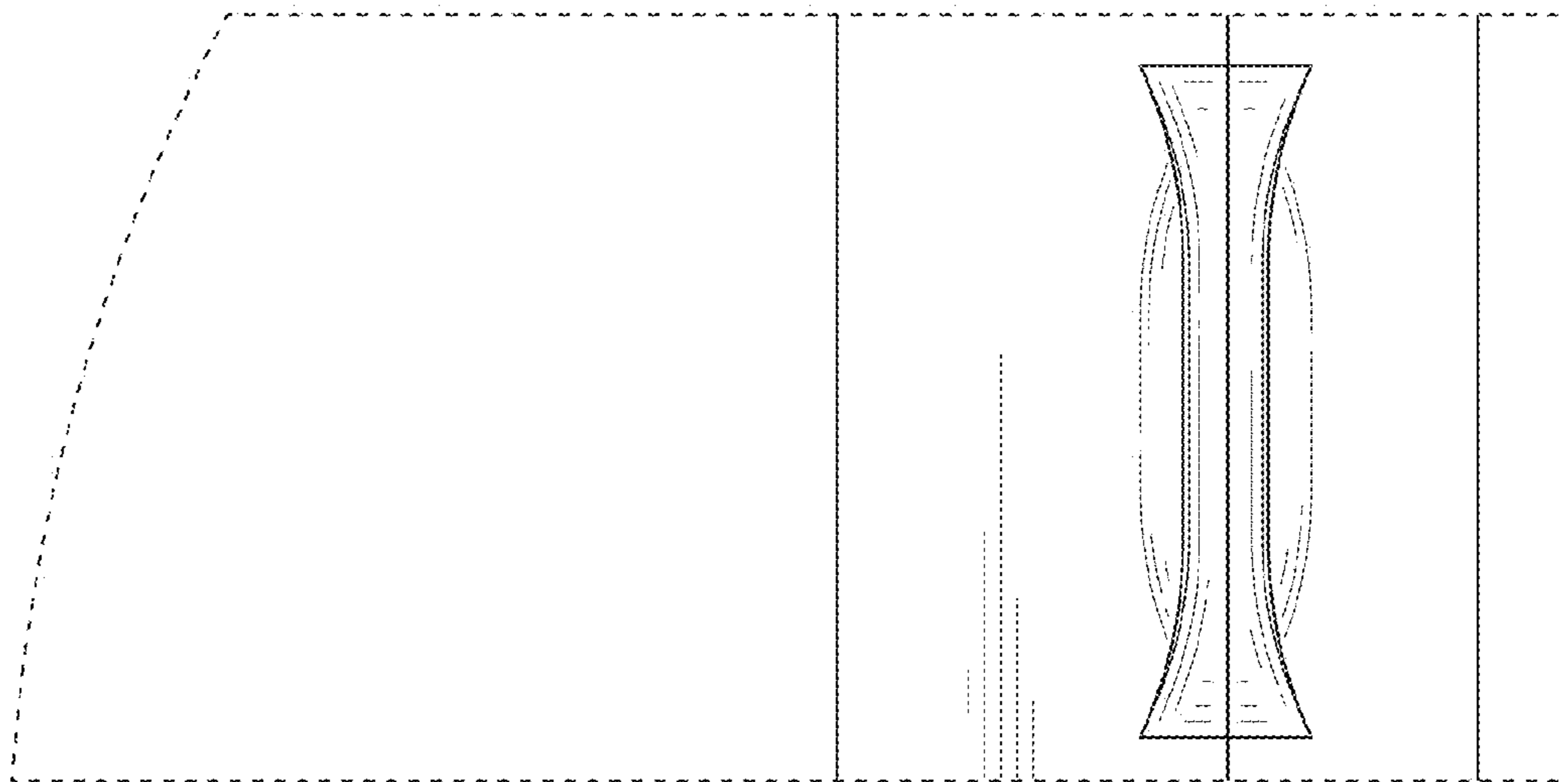


FIG. 10