



US00D705446S

(12) **United States Design Patent**
Chrien

(10) **Patent No.:** **US D705,446 S**

(45) **Date of Patent:** **** May 20, 2014**

- (54) **PIPE TRENCH SIDE PANEL**
- (71) Applicant: **David J Chrien**, Shaker Heights, OH (US)
- (72) Inventor: **David J Chrien**, Shaker Heights, OH (US)
- (**) Term: **14 Years**
- (21) Appl. No.: **29/442,273**
- (22) Filed: **Jan. 18, 2013**

4,640,643 A	2/1987	Williams	404/4
4,699,544 A	10/1987	Karbstein	405/118
4,815,888 A	3/1989	Stegmeier	404/4

(Continued)

OTHER PUBLICATIONS

Preform Trench Drain Co.,—Photo Gallery Page—1 Page Downloaded From Website www.preformtrenchdrain.com Mar. 2011.

(Continued)

Primary Examiner — Doris Clark

(74) *Attorney, Agent, or Firm* — David A. Burge

(57) **CLAIM**

I claim the ornamental design for a pipe trench side panel, as shown and described.

DESCRIPTION

FIG. 1 is a front perspective view showing my new design, with portions of a central region of the panel that form no part of the claimed design shown by broken lines indicating that the panel has an indefinite length;

FIG. 2 is a rear perspective view thereof;

FIG. 3 is a front elevational view thereof;

FIG. 4 is a top view thereof;

FIG. 5 is a bottom view thereof;

FIG. 6 is a right end view thereof, it being understood that a left end view would be a mirror image of the right end view; and,

FIG. 7 is a sectional view, on an enlarged scale, as seen from a plane indicated by a line 7-7 in FIG. 3, showing a bracket shaped like the numeral “7.”

The design relates to short opposite end regions and to a short central region of a side panel that is used in forming a pipe trench. The three short regions of the claimed design are connected by intervening structure that forms no part of the claimed design.

All subject matter depicted by broken lines is environmental, is provided for merely for illustrative purposes, and forms no part of the claimed design.

1 Claim, 2 Drawing Sheets

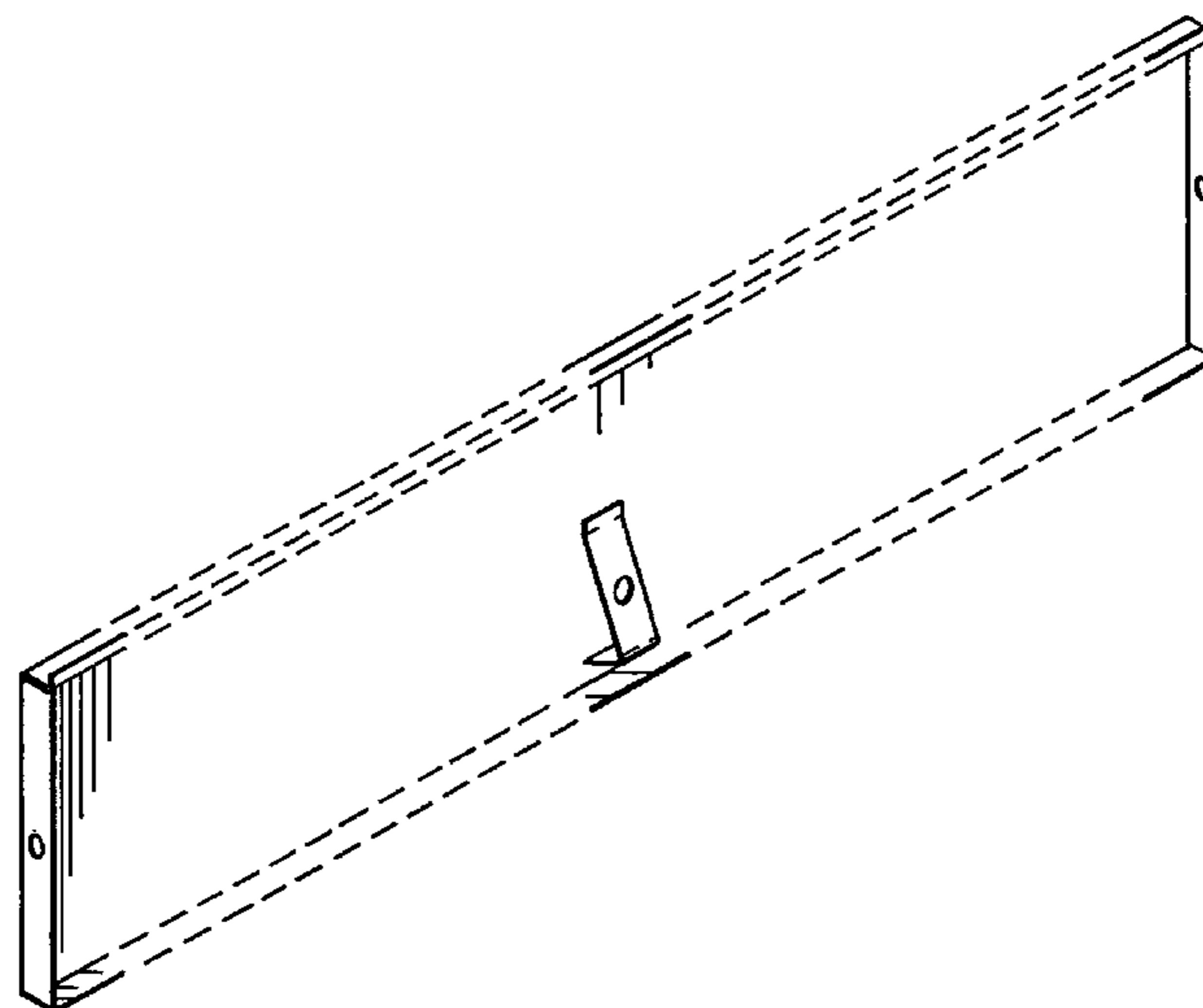
Related U.S. Application Data

- (63) Continuation-in-part of application No. 29/395,617, filed on Feb. 29, 2012, now Pat. No. Des. 686,751.
- (51) **LOC (10) Cl.** **25-02**
- (52) **U.S. Cl.**
USPC **D25/36; D25/119; D25/138**
- (58) **Field of Classification Search**
CPC E02D 17/10; E02D 17/08
USPC D25/36, 119, 138; D23/267; 405/118, 405/119, 282; 404/4, 5, 98; 52/220.5
See application file for complete search history.

References Cited

U.S. PATENT DOCUMENTS

2,305,955 A	12/1942	Dudley	210/164
2,701,027 A	1/1955	Scoville	210/163
D193,927 S	10/1962	Prator	D25/36
3,733,761 A *	5/1973	Casto	52/220.5
3,912,408 A *	10/1975	Domnick	404/35
D246,384 S	11/1977	Brown et al.	D25/36
4,498,807 A	2/1985	Kirkpatrick et al.	405/43
4,515,498 A	5/1985	Thomann et al.	404/4
4,553,874 A	11/1985	Thomann et al.	404/4
4,621,939 A	11/1986	Thomann et al.	404/4
4,630,962 A	12/1986	Thomann et al.	404/2
4,630,966 A	12/1986	Karbstein	405/118



(56)

References Cited

U.S. PATENT DOCUMENTS

4,844,655 A 7/1989 Aleshire 405/118
 4,878,782 A 11/1989 Beattie et al. 405/119
 4,940,359 A 7/1990 Van Duyn et al. 405/118
 4,993,878 A 2/1991 Beamer 405/282
 5,000,621 A 3/1991 Beamer 405/282
 5,026,202 A 6/1991 Thomann 404/4
 5,213,438 A 5/1993 Barenwald 404/2
 5,226,748 A 7/1993 Barenwald et al. 405/121
 5,256,000 A 10/1993 Beamer 405/119
 5,277,522 A * 1/1994 Pertz 405/283
 5,281,052 A 1/1994 Beamer 405/119
 5,529,436 A 6/1996 Meyers 405/119
 5,538,361 A 7/1996 Beamer 405/118
 5,568,995 A 10/1996 Beamer 405/119
 5,645,367 A 7/1997 Gunter 404/3
 5,718,537 A 2/1998 Becker et al. 405/119
 5,810,513 A 9/1998 Beamer et al. 405/119
 5,971,662 A 10/1999 Becker et al. 405/119

6,000,881 A 12/1999 Becker et al. 405/119
 6,027,283 A 2/2000 Schweinberg et al. 405/42
 6,113,311 A 9/2000 Becker et al. 405/119
 6,220,784 B1 4/2001 Bricker 405/118
 6,595,720 B2 7/2003 Humphries et al. 405/118
 7,048,466 B2 5/2006 Benesteau et al. 404/4
 7,125,506 B2 10/2006 Humphries et al. 264/35
 7,413,372 B2 8/2008 Meyers 404/2
 7,438,802 B2 10/2008 Hurst 210/163
 7,534,071 B2 5/2009 Humphries et al. 405/118
 7,637,695 B1 12/2009 Akkala 405/118
 7,736,092 B2 6/2010 Hodgskins et al. 405/119
 7,967,523 B2 6/2011 Hetzler et al. 404/4
 7,975,436 B2 7/2011 Newton 52/20
 2005/0025572 A1 2/2005 Sanfilippo et al. 405/36

OTHER PUBLICATIONS

Zurn Industries LLC Pittsburgh—Utility Trench Perma-Duct 1
 Page—Dated May 2011.

* cited by examiner

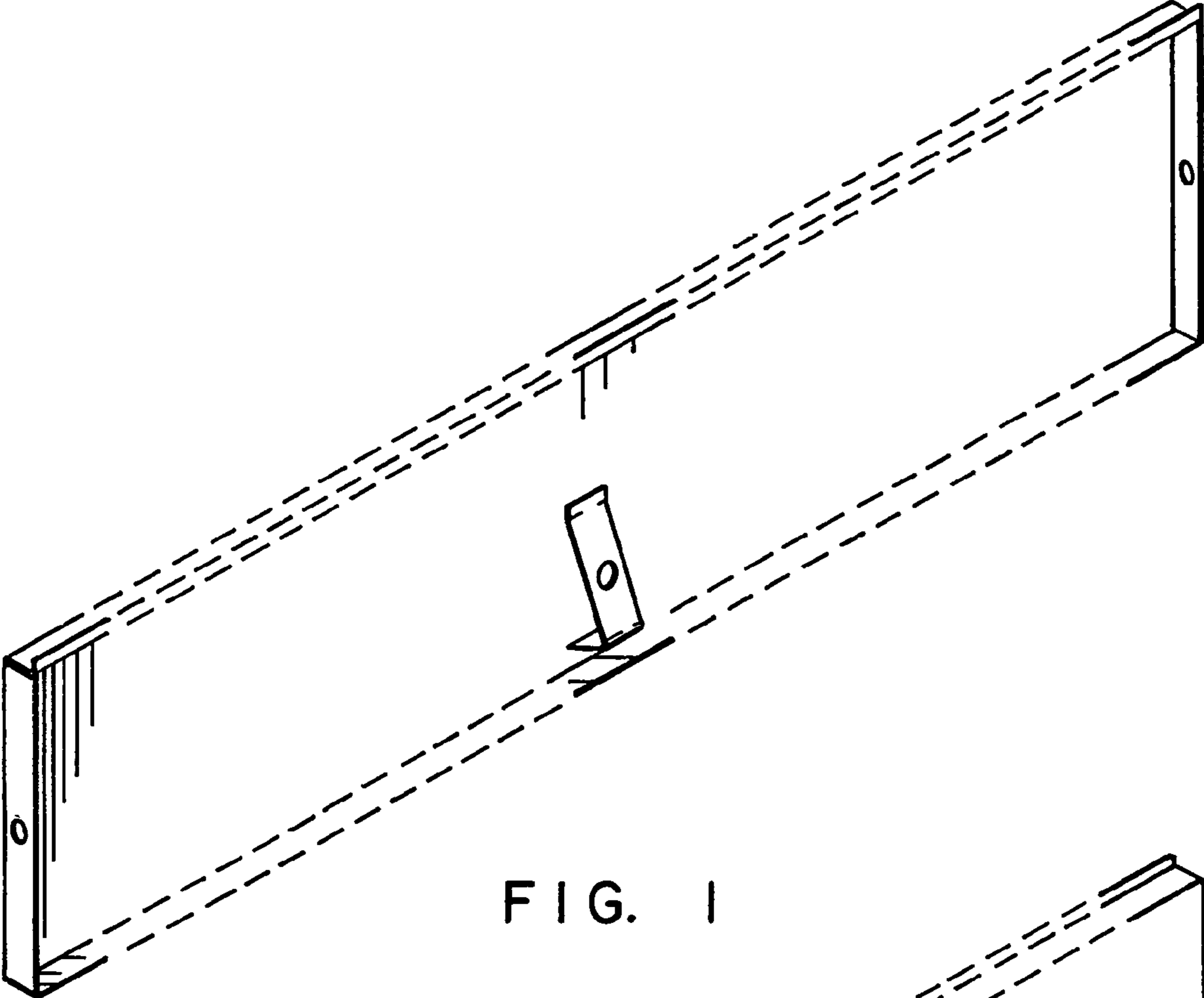


FIG. 1

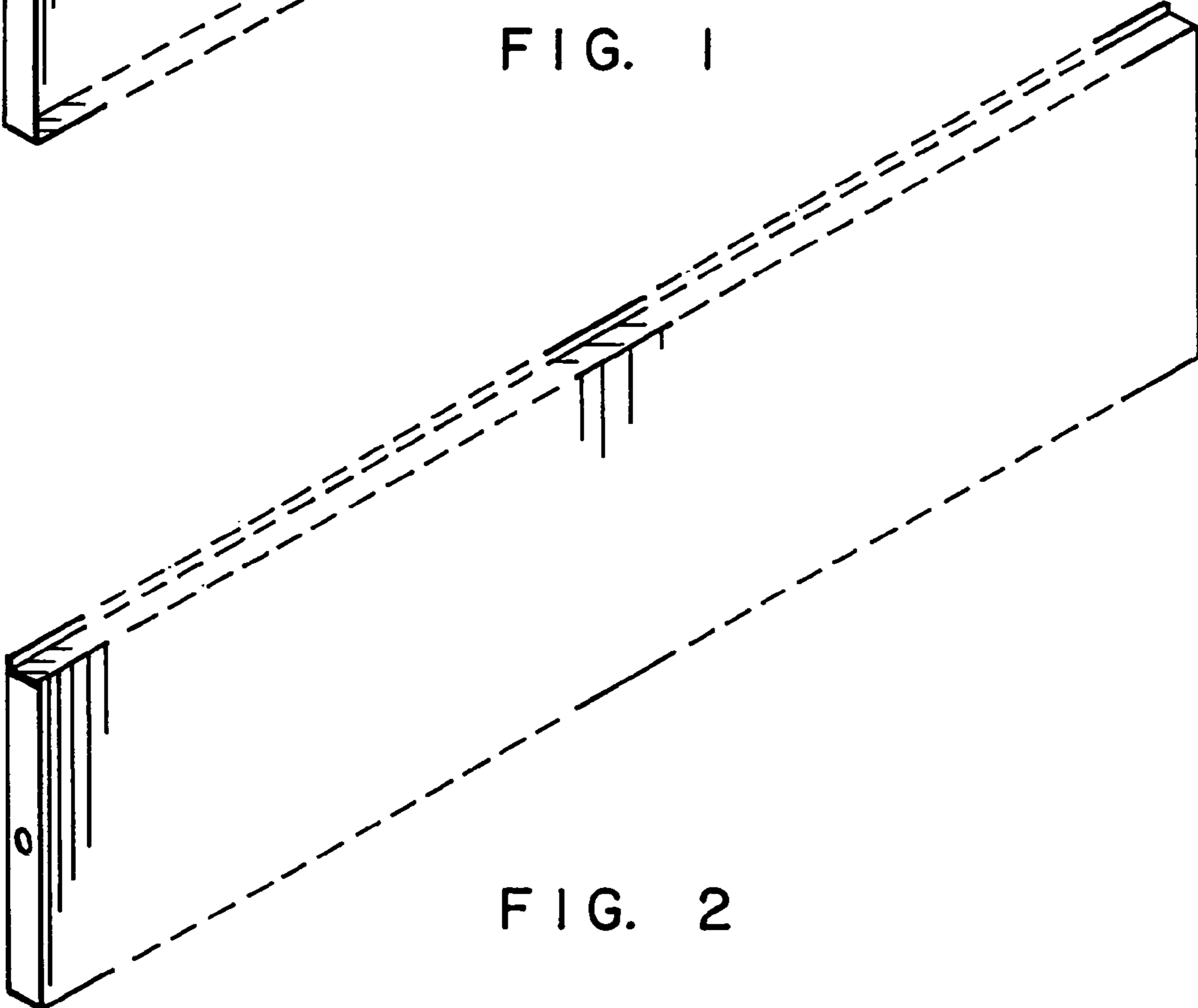


FIG. 2

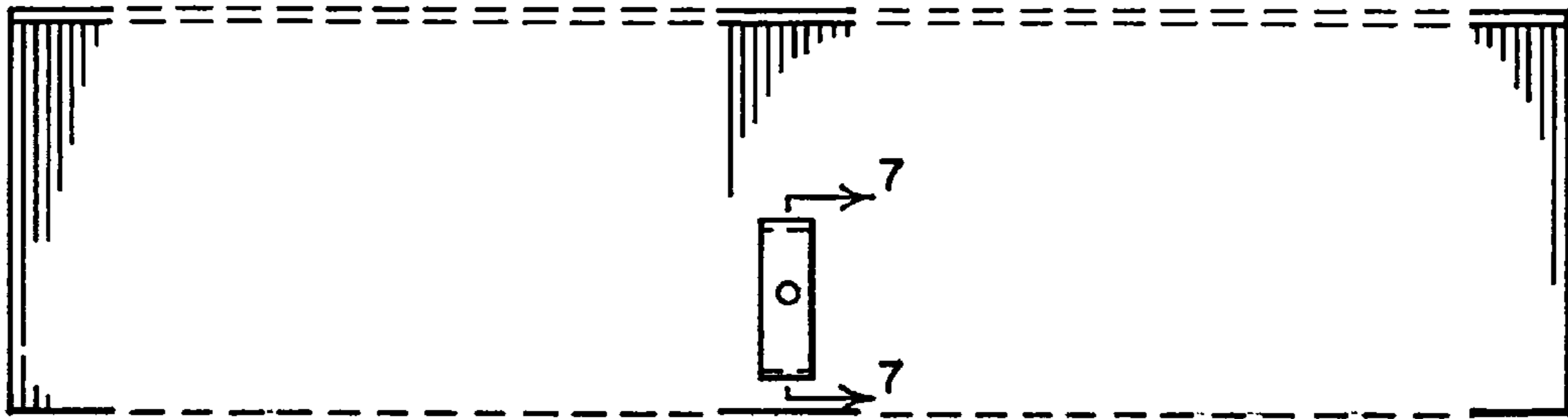


FIG. 3



FIG. 4



FIG. 5



FIG. 6

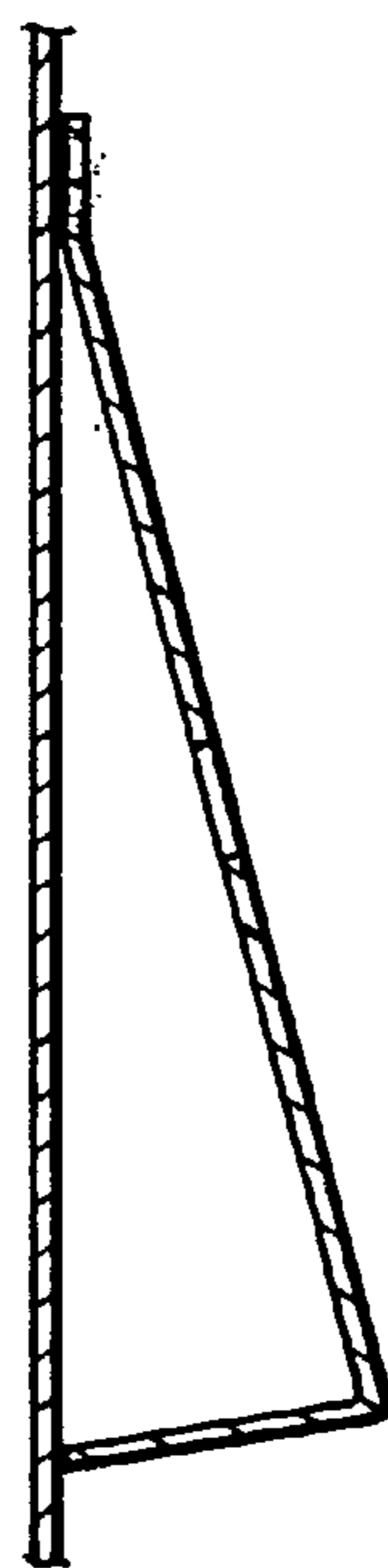


FIG. 7