



US00D705445S

(12) **United States Design Patent**
Bolos

(10) **Patent No.:** **US D705,445 S**

(45) **Date of Patent:** **** May 20, 2014**

(54) **PHOTO BOOTH**

(75) Inventor: **Josep Tarres Bolos**, Manresa (ES)

(73) Assignee: **Digital Centre, S.L.**, Sant Fruitos de Bages (Barcelona) (ES)

(**) Term: **14 Years**

(21) Appl. No.: **29/419,661**

(22) Filed: **Apr. 30, 2012**

(30) **Foreign Application Priority Data**

Oct. 31, 2011 (EM) 001940701

(51) **LOC (10) CL.** **26-01**

(52) **U.S. Cl.**
USPC **D25/16**

(58) **Field of Classification Search**
USPC D25/1, 16-18, 33; D16/215-216;
52/36.1-36.2, 79.1, 79.4-79.5; 396/2
See application file for complete search history.

(56) **References Cited**

U.S. PATENT DOCUMENTS

1,576,674	A *	3/1926	Olsen	396/2
D135,139	S *	3/1943	Godfrey	D16/215
D148,740	S *	2/1948	Allen	D16/215
D182,240	S *	3/1958	Mackay	D16/215
2,832,275	A *	4/1958	Applegate	396/2
3,631,781	A *	1/1972	Kennington et al.	396/2

3,864,708	A *	2/1975	Allen	396/2
D245,706	S *	9/1977	McAllister	D25/16
D324,873	S *	3/1992	Thayer	D16/215
5,784,651	A *	7/1998	Mauchan	396/2
6,205,716	B1 *	3/2001	Peltz	52/36.2
6,646,863	B1 *	11/2003	White et al.	361/679.2
D579,686	S *	11/2008	Collins et al.	D6/396
D612,884	S *	3/2010	Gassman et al.	D16/215
D638,551	S *	5/2011	Gann	D25/16
8,116,081	B2 *	2/2012	Crick, Jr.	361/724
2005/0108954	A1 *	5/2005	Sola	52/79.1
2005/0180739	A1 *	8/2005	Nakanishi et al.	396/2

* cited by examiner

Primary Examiner — T. Chase Nelson

Assistant Examiner — Kathleen M Sims

(74) *Attorney, Agent, or Firm* — Dowell & Dowell, P.C.

(57) **CLAIM**

The ornamental design for a photo booth, as shown and described.

DESCRIPTION

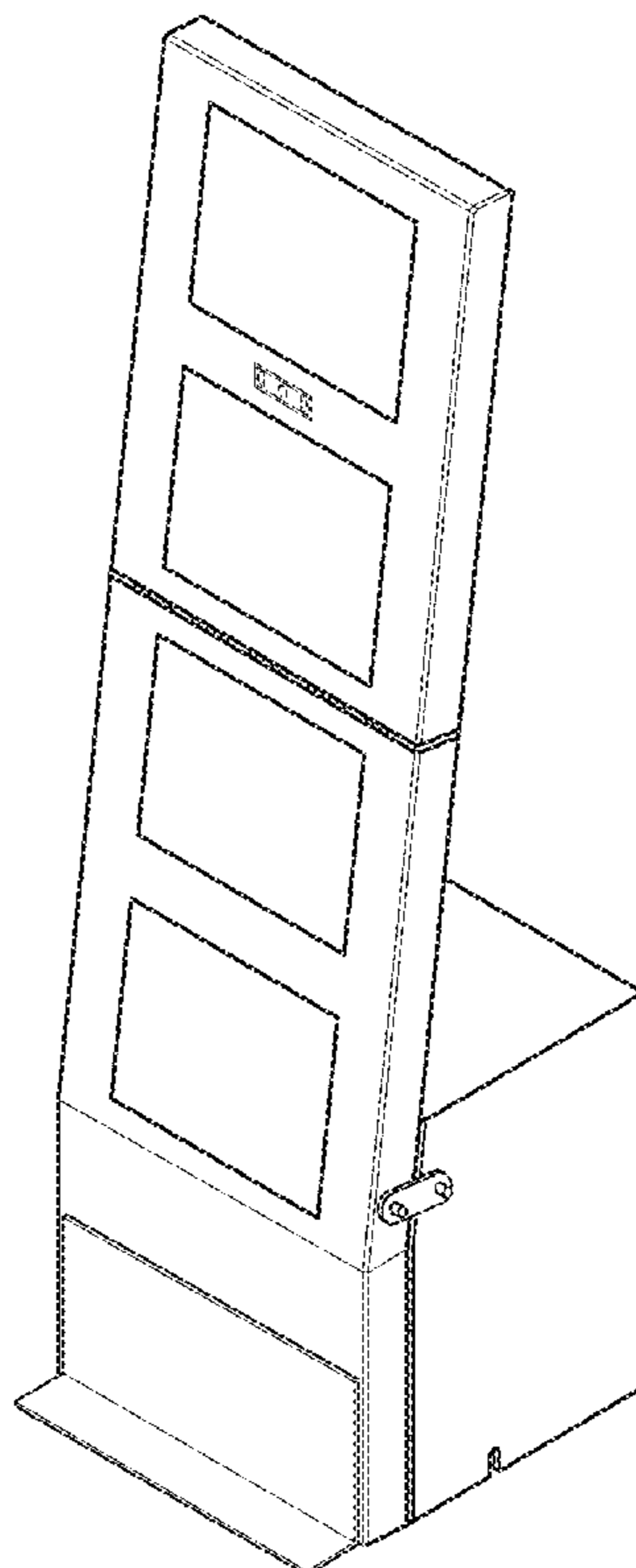
FIG. 1 is a front perspective view of a photo booth showing my new design;

FIG. 2 is a right side elevational view thereof, wherein the left side view is a mirror image thereof; and,

FIG. 3 is a front elevational view thereof.

The features shown in broken line are for illustrative purposes only and form no part of the claimed design.

1 Claim, 3 Drawing Sheets



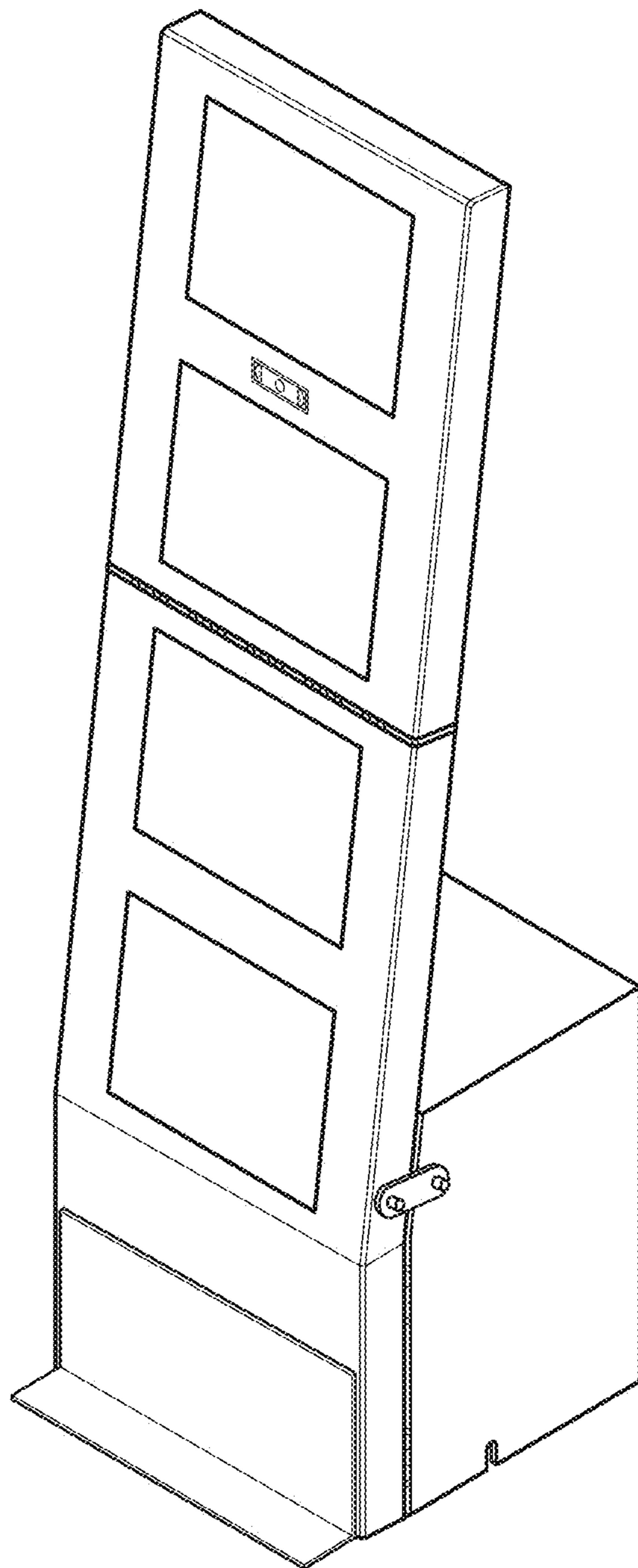


Fig. 1

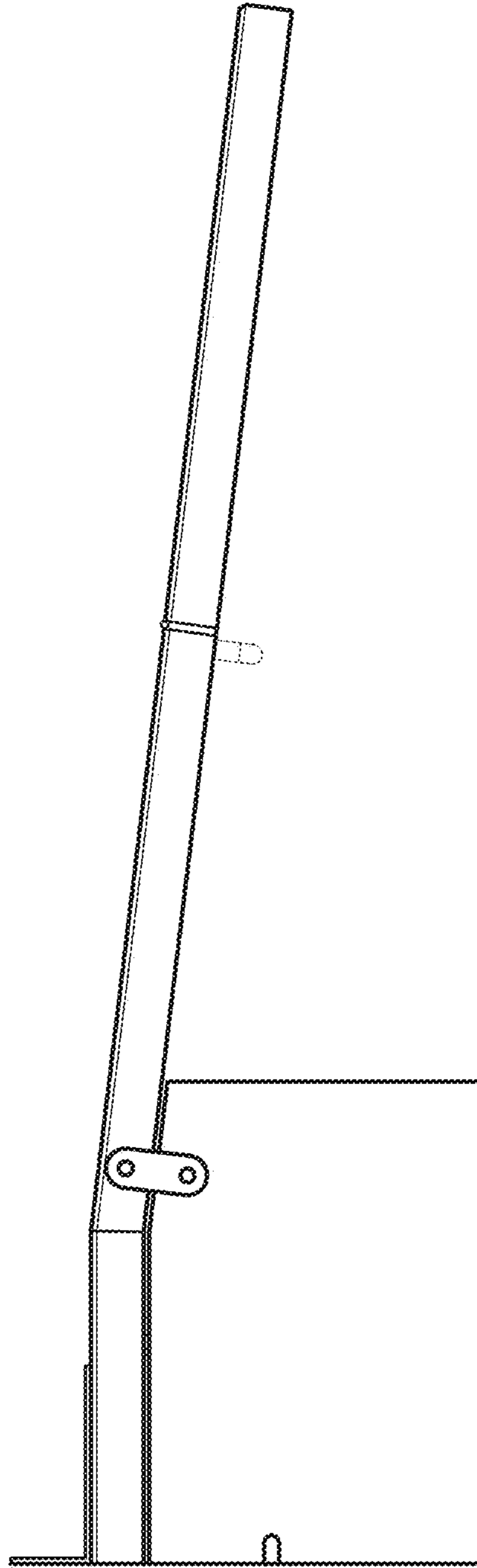


Fig. 2

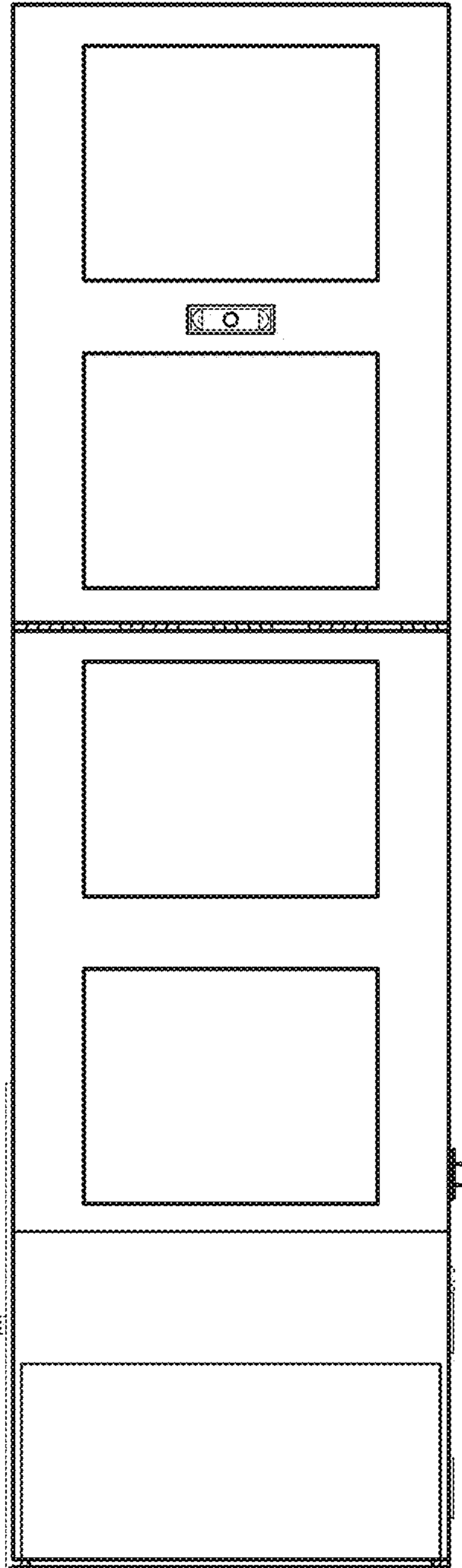


Fig. 3