



US00D705440S

(12) **United States Design Patent**  
**Develon**

(10) **Patent No.:** **US D705,440 S**

(45) **Date of Patent:** **\*\* May 20, 2014**

(54) **EXTERNAL PUMP FOR BIOLOGICAL DEVICE**

(71) Applicant: **AES CHEMUNEX Société Anonyme à conseil d'administration**, Combourg (FR)

(72) Inventor: **Johan Develon**, Chavagne (FR)

(73) Assignee: **bioMérieux**, Marcy l'Etoile (FR)

(\*\*) Term: **14 Years**

(21) Appl. No.: **29/453,481**

(22) Filed: **Apr. 30, 2013**

(51) **LOC (10) Cl.** ..... **24-01**

(52) **U.S. Cl.**  
USPC ..... **D24/216**

(58) **Field of Classification Search**  
USPC ..... D24/216, 217, 219, 223, 231, 232, 233,  
D24/107, 169, 186, 111; D10/81; 422/500,  
422/547, 62-65, 67; 435/287.1, 287.3;  
436/43, 45, 47  
See application file for complete search history.

(56) **References Cited**

**U.S. PATENT DOCUMENTS**

D249,892 S \* 10/1978 Aul et al. .... D24/216  
5,055,271 A \* 10/1991 Golias et al. .... 422/63

D482,796 S \* 11/2003 Oyama et al. .... D24/232  
D493,232 S \* 7/2004 Wohlstadter et al. .... D24/216  
D508,999 S \* 8/2005 Fanning et al. .... D24/216  
D649,075 S \* 11/2011 Chan et al. .... D10/81  
D671,227 S \* 11/2012 Parker et al. .... D24/216  
D682,441 S \* 5/2013 Kim ..... D24/216  
D691,732 S \* 10/2013 Shibata et al. .... D24/216  
D693,939 S \* 11/2013 Iseki ..... D24/216  
2010/0254854 A1 \* 10/2010 Rich et al. .... 422/64

\* cited by examiner

*Primary Examiner* — Anhdao Doan

(74) *Attorney, Agent, or Firm* — Winstead PC

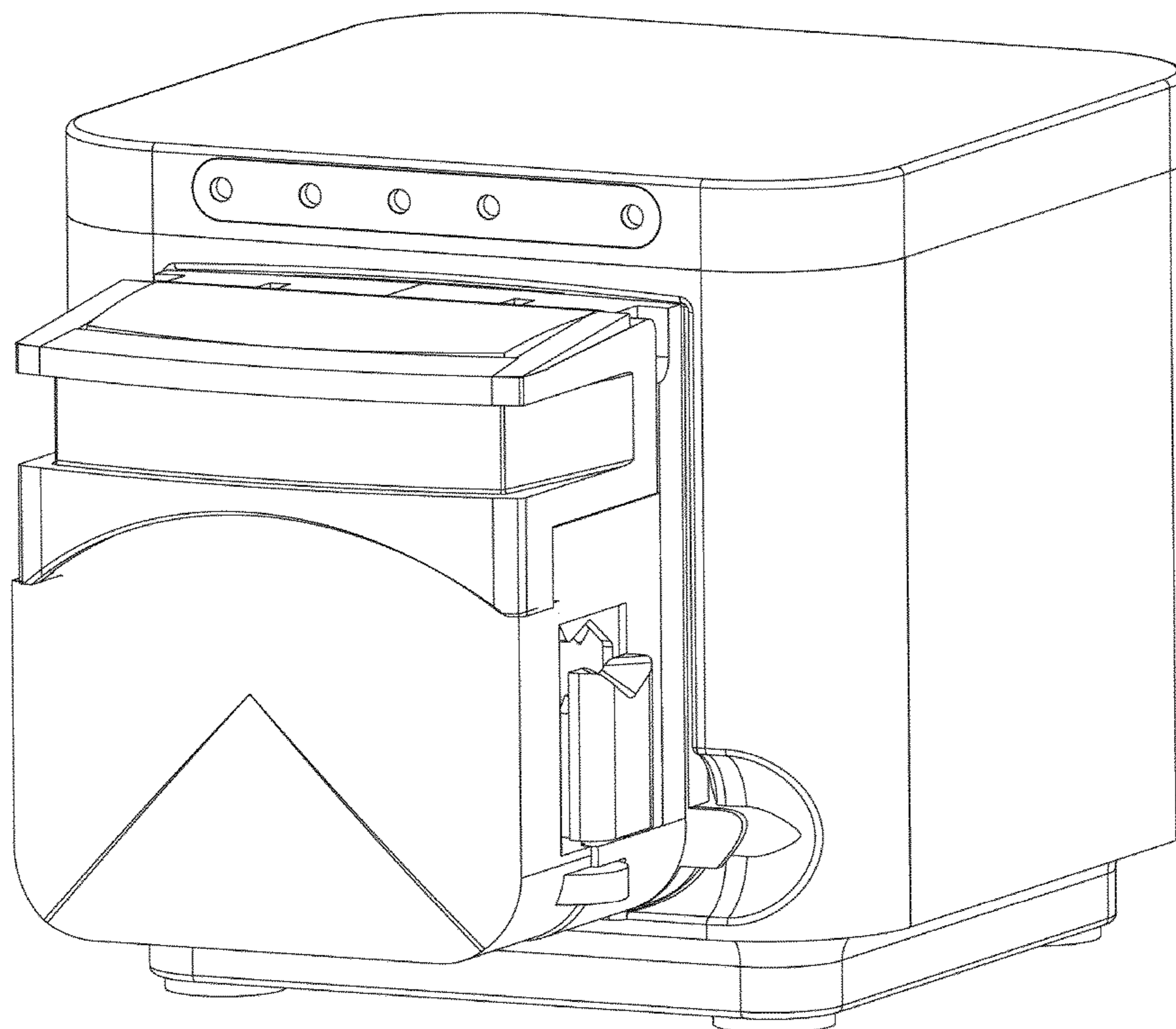
(57) **CLAIM**

The ornamental design for an external pump for biological device, as shown and described.

**DESCRIPTION**

FIG. 1 is a perspective view of an external pump for biological device in accordance with the design;  
FIG. 2 is a front view thereof;  
FIG. 3 is a back view thereof;  
FIG. 4 is a left side view thereof;  
FIG. 5 is a right side view thereof;  
FIG. 6 is a top plan view thereof; and,  
FIG. 7 is a bottom plan view thereof.

**1 Claim, 7 Drawing Sheets**



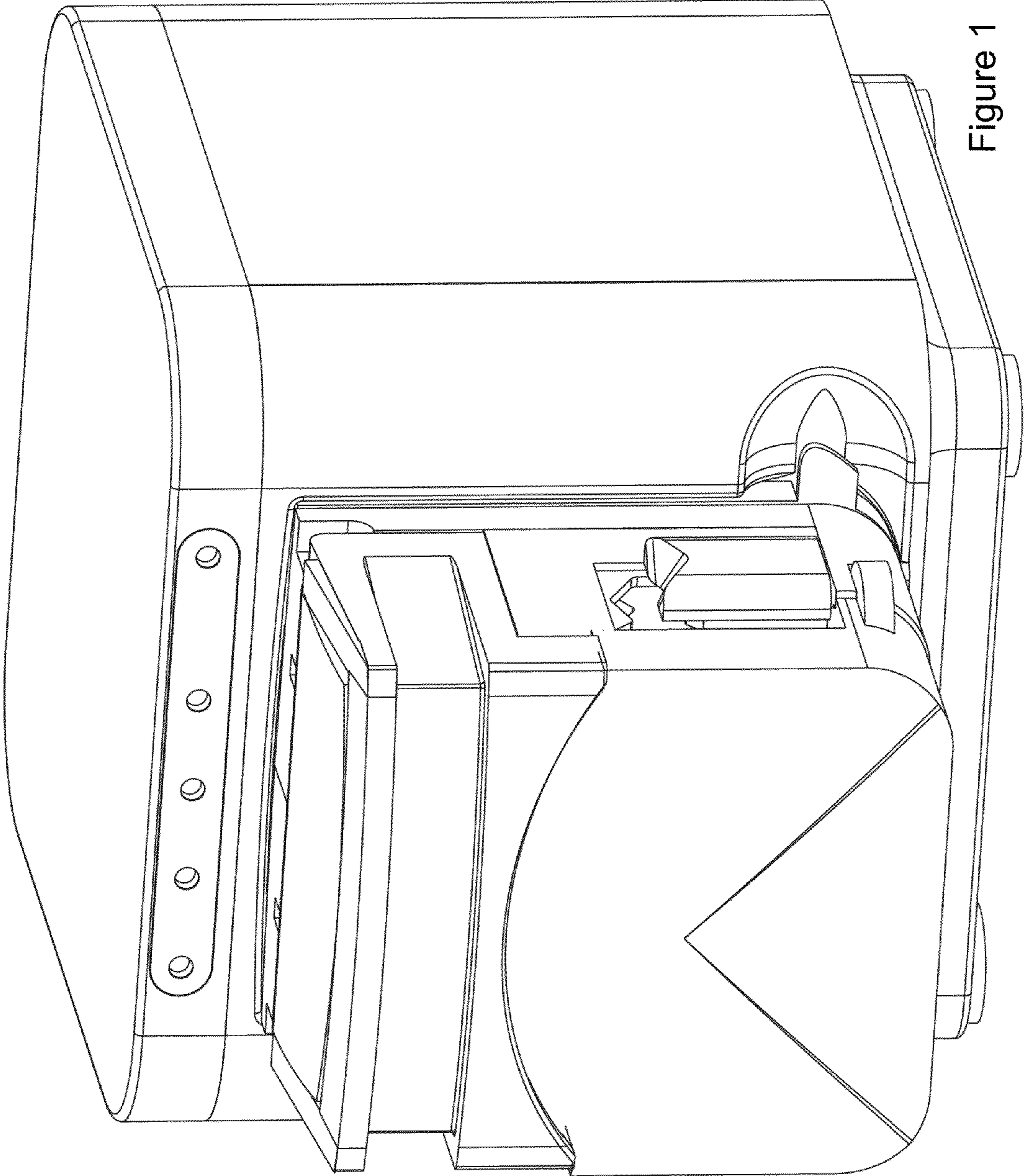


Figure 1

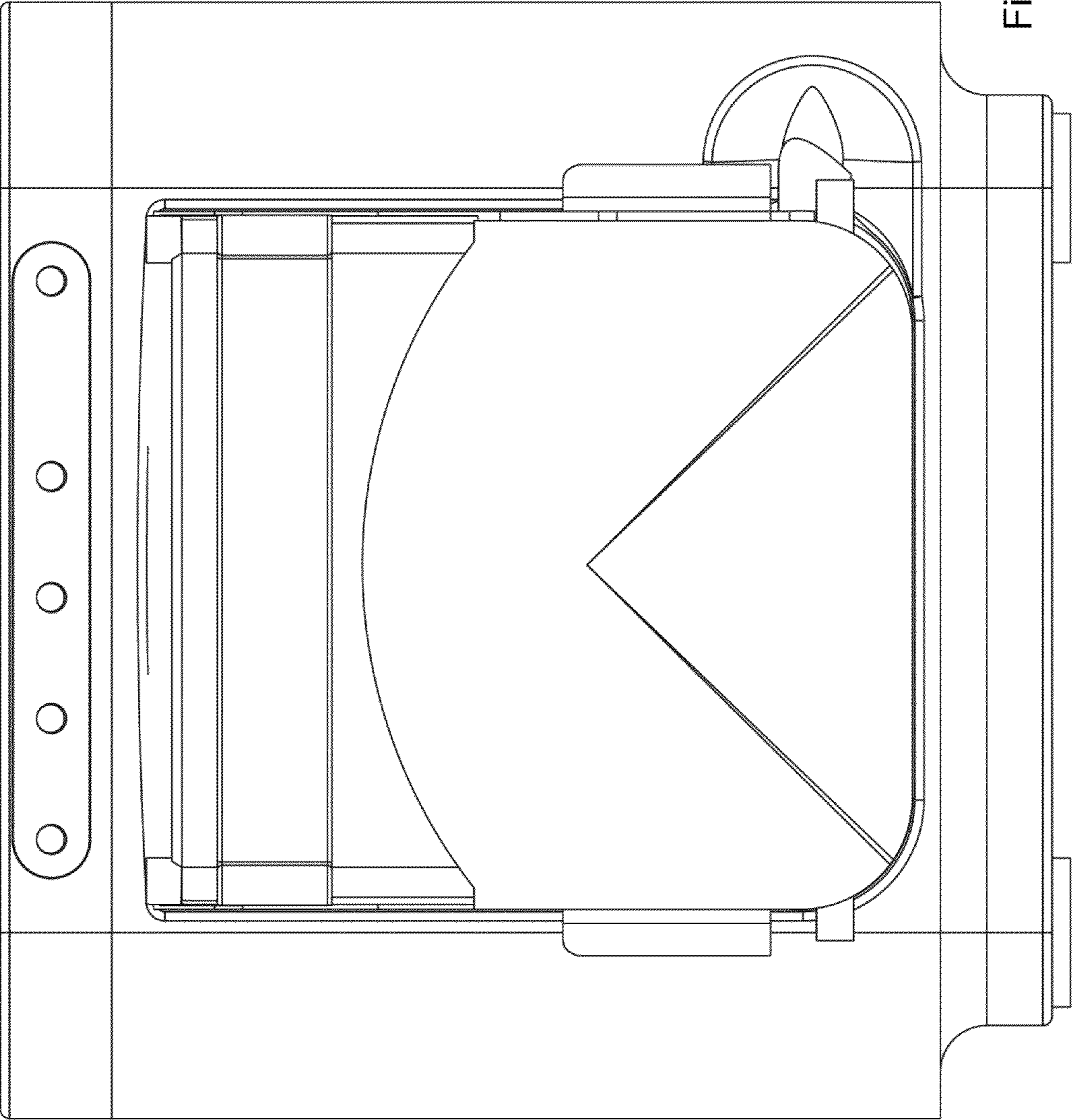


Figure 2



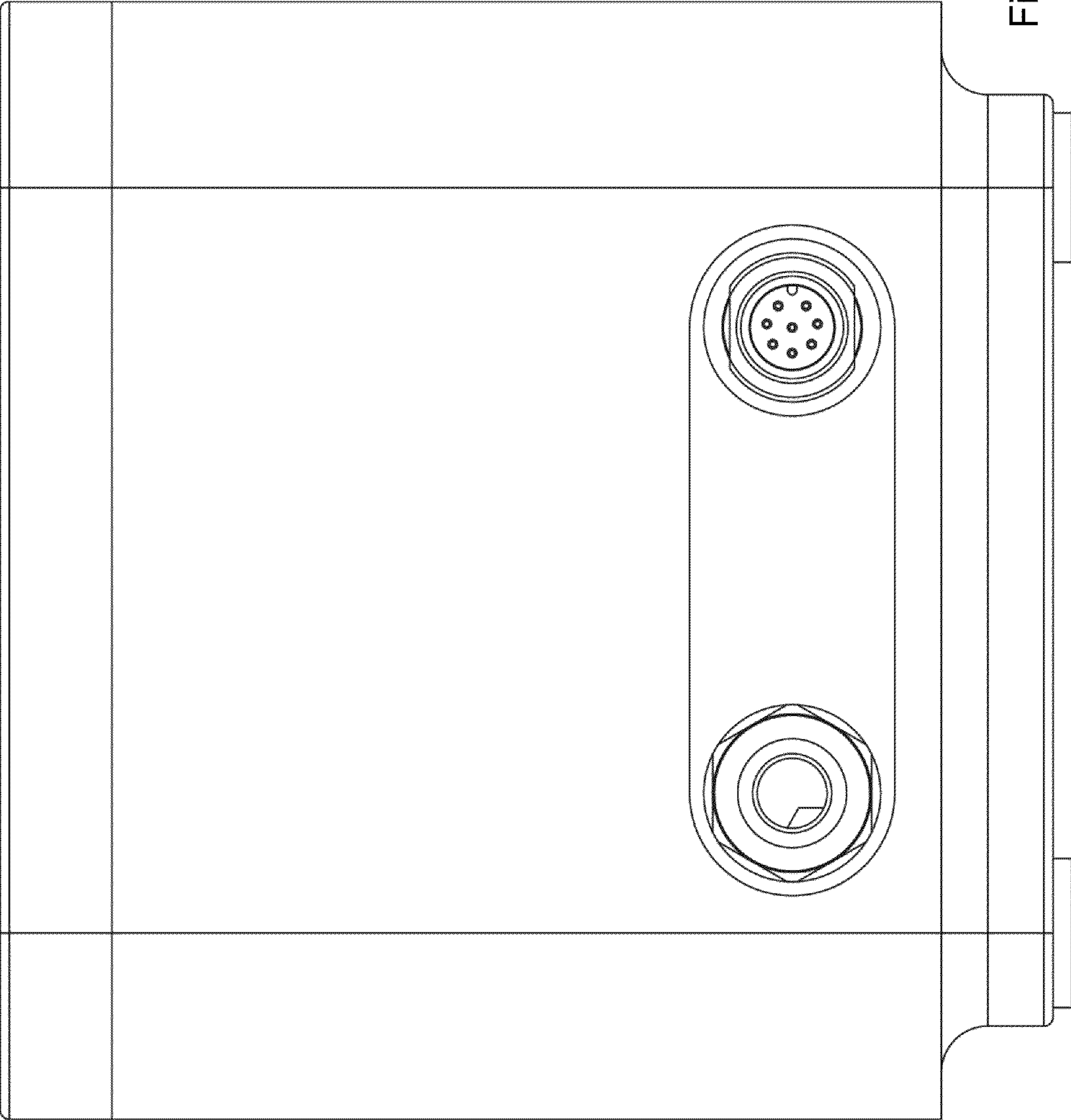


Figure 3

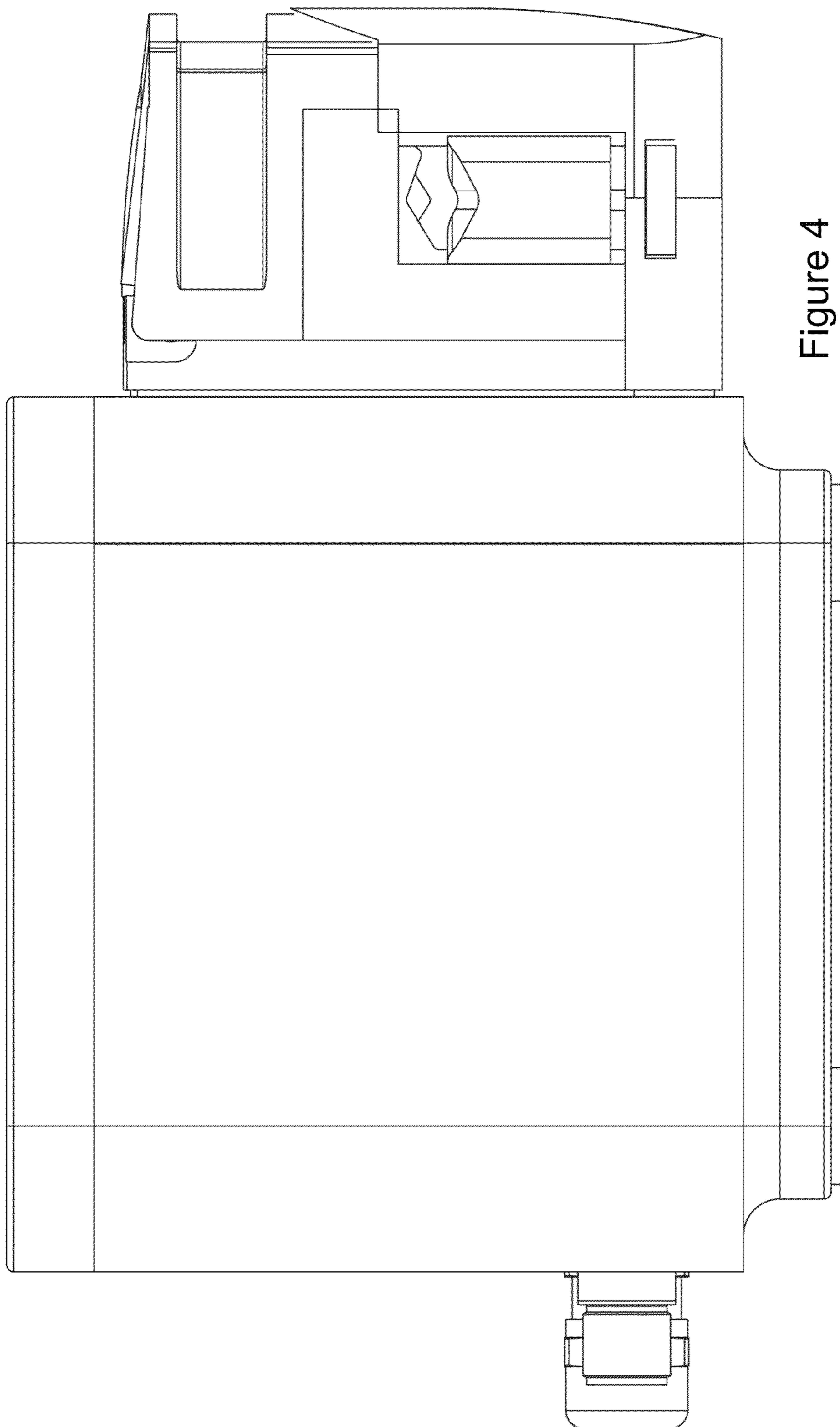


Figure 4

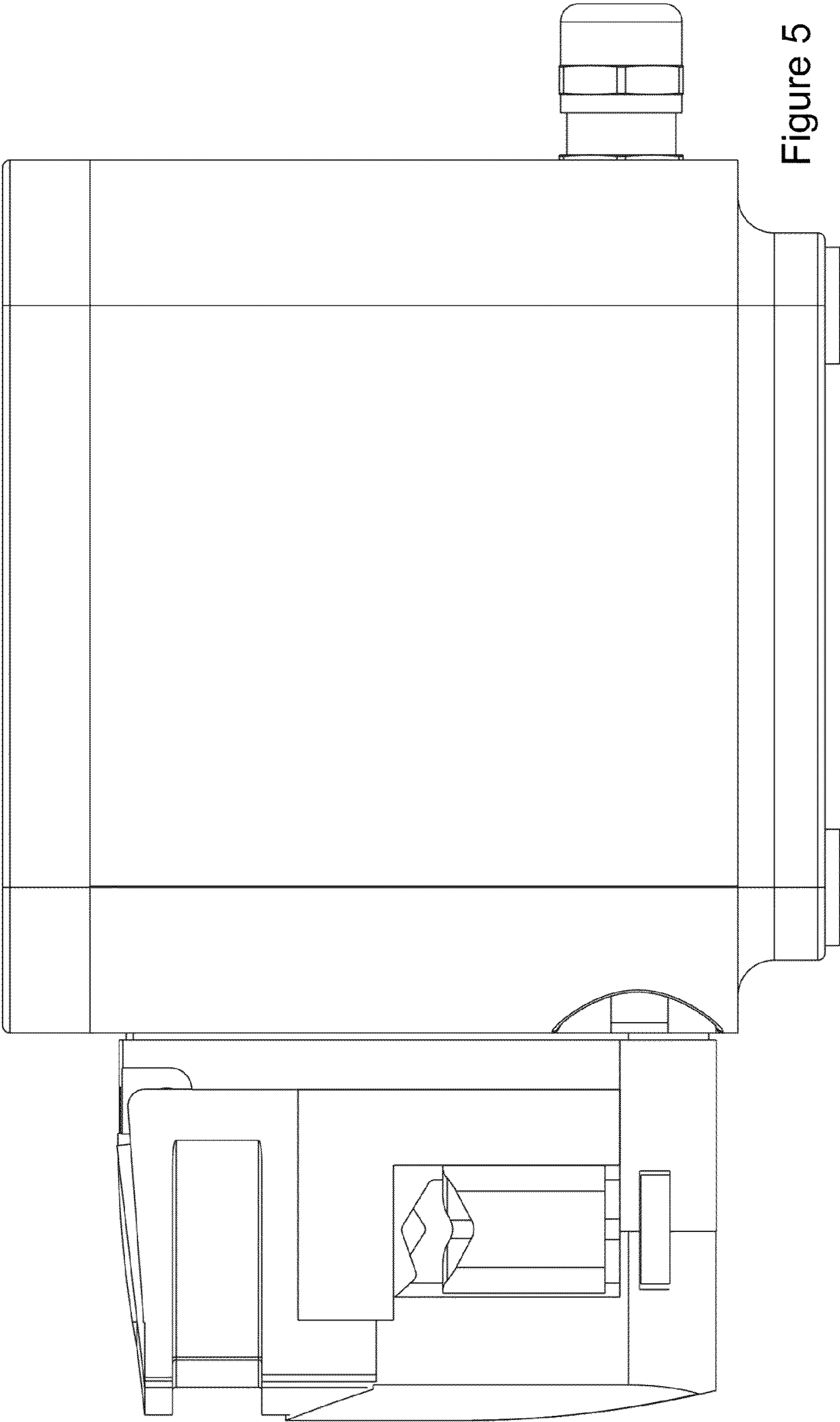


Figure 5

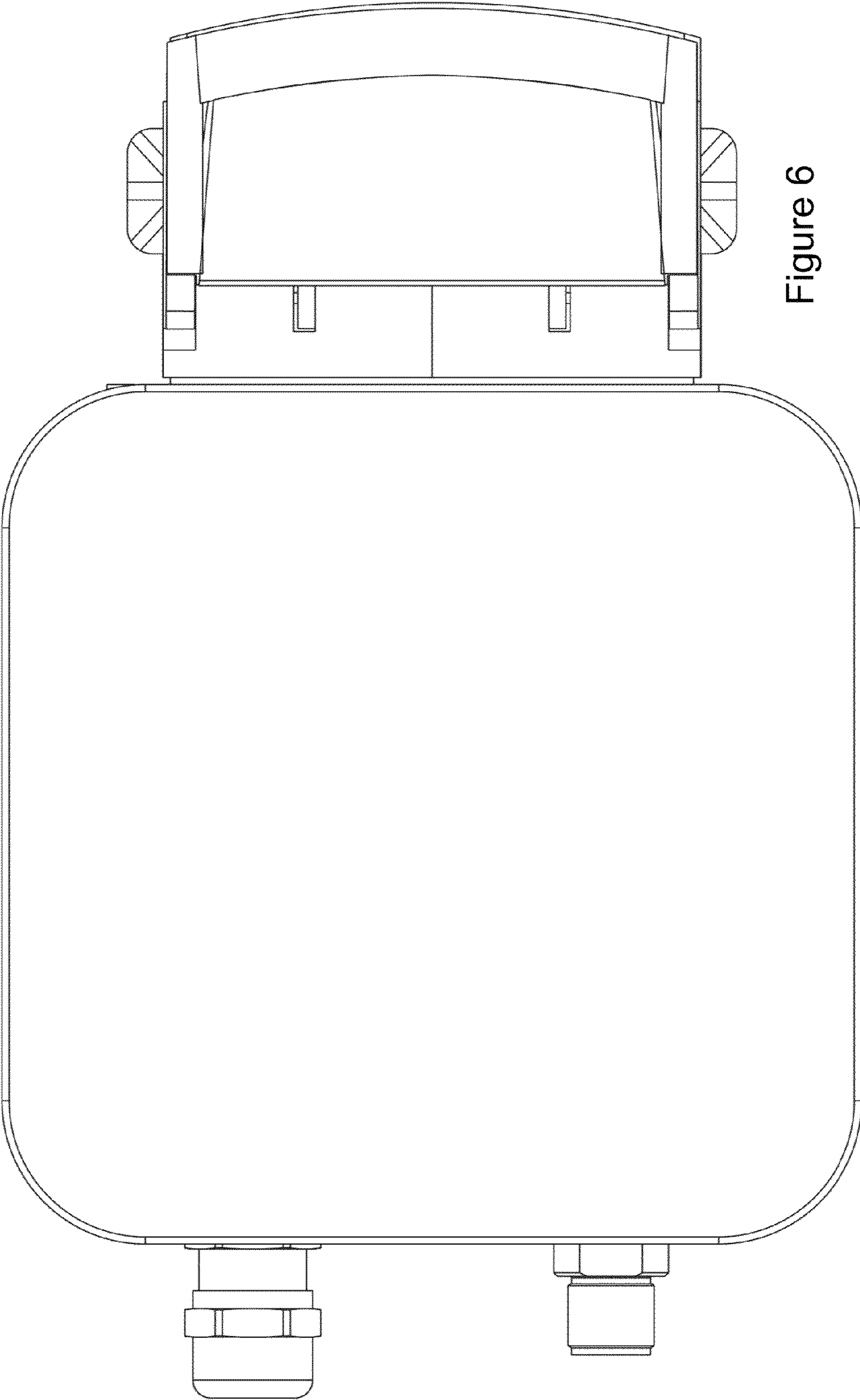


Figure 6

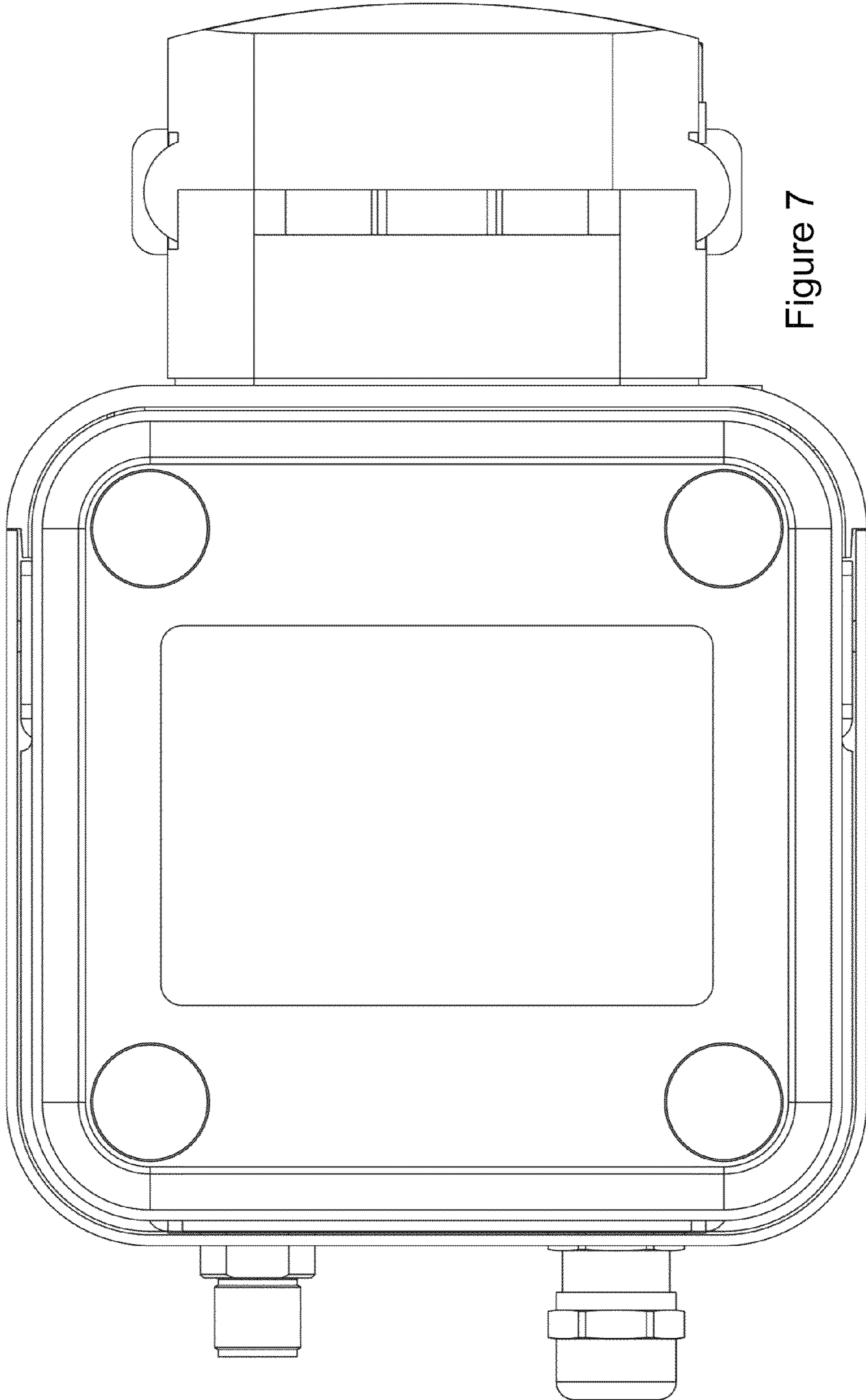


Figure 7