



US00D705436S

(12) **United States Design Patent**
Chen

(10) **Patent No.:** **US D705,436 S**

(45) **Date of Patent:** **** May 20, 2014**

(54) **SHOULDER MASSAGER**

(71) Applicant: **Jue-Yao Chen**, Erlin Township,
Changhua County (TW)

(72) Inventor: **Jue-Yao Chen**, Erlin Township,
Changhua County (TW)

(73) Assignee: **St Life Co., Ltd.**, Erlin Township (TW)

(**) Term: **14 Years**

(21) Appl. No.: **29/468,765**

(22) Filed: **Oct. 3, 2013**

(51) **LOC (10) Cl.** **28-03**

(52) **U.S. Cl.**
USPC **D24/215**

(58) **Field of Classification Search**
USPC D24/200, 211, 212, 213, 214, 215;
601/114, 120, 121, 124, 125, 130, 131,
601/134, 135, 136, 137
See application file for complete search history.

(56) **References Cited**

U.S. PATENT DOCUMENTS

D389,584 S *	1/1998	Leventhal et al.	D24/215
D570,489 S *	6/2008	McMullin	D24/200
D628,427 S *	12/2010	Stauffacher	D7/323
D649,655 S *	11/2011	Petersen	D24/215
D674,501 S *	1/2013	Petersen	D24/215

* cited by examiner

Primary Examiner — Sandra Snapp

(74) *Attorney, Agent, or Firm* — Alan Kamrath; Kamrath IP
Lawfirm, P.A.

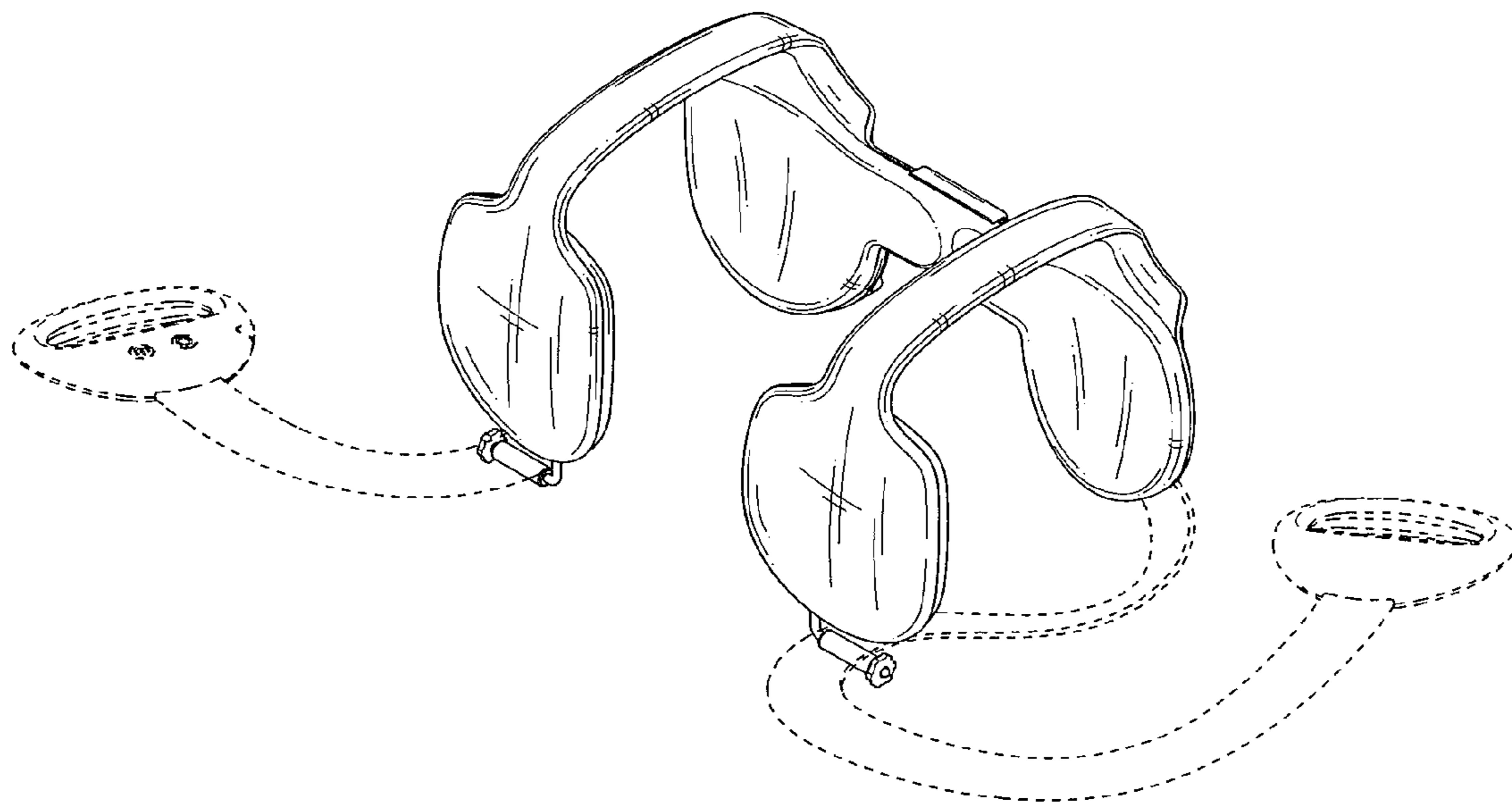
(57) **CLAIM**

The ornamental design for a shoulder massager, as shown and
described.

DESCRIPTION

FIG. 1 is a perspective view of a shoulder massager showing
my design;
FIG. 2 is another perspective view thereof;
FIG. 3 is a front elevational view thereof;
FIG. 4 is a rear elevational view thereof;
FIG. 5 is a left side elevational view thereof;
FIG. 6 is a right side elevational view thereof;
FIG. 7 is a top plan view thereof;
FIG. 8 is bottom plan view thereof;
FIG. 9 is a perspective view showing the shoulder massager in
use; and,
FIG. 10 is a front elevational view showing the shoulder
massager in use.
The broken lines shown in FIG. 9 and FIG. 10 illustrate
environmental structure and form of the shoulder massager
which forms no part of the claimed design.

1 Claim, 10 Drawing Sheets



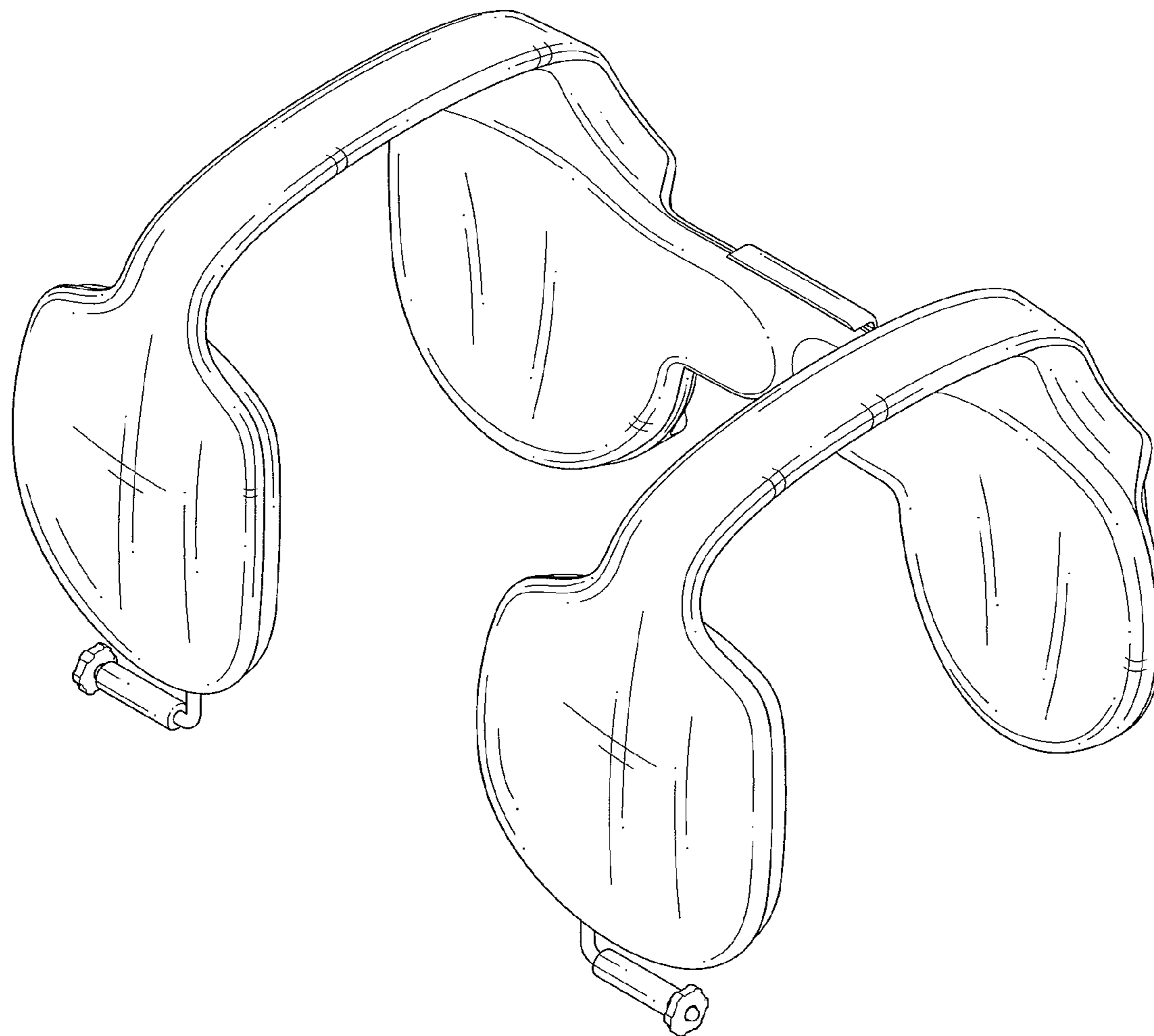


FIG. 1

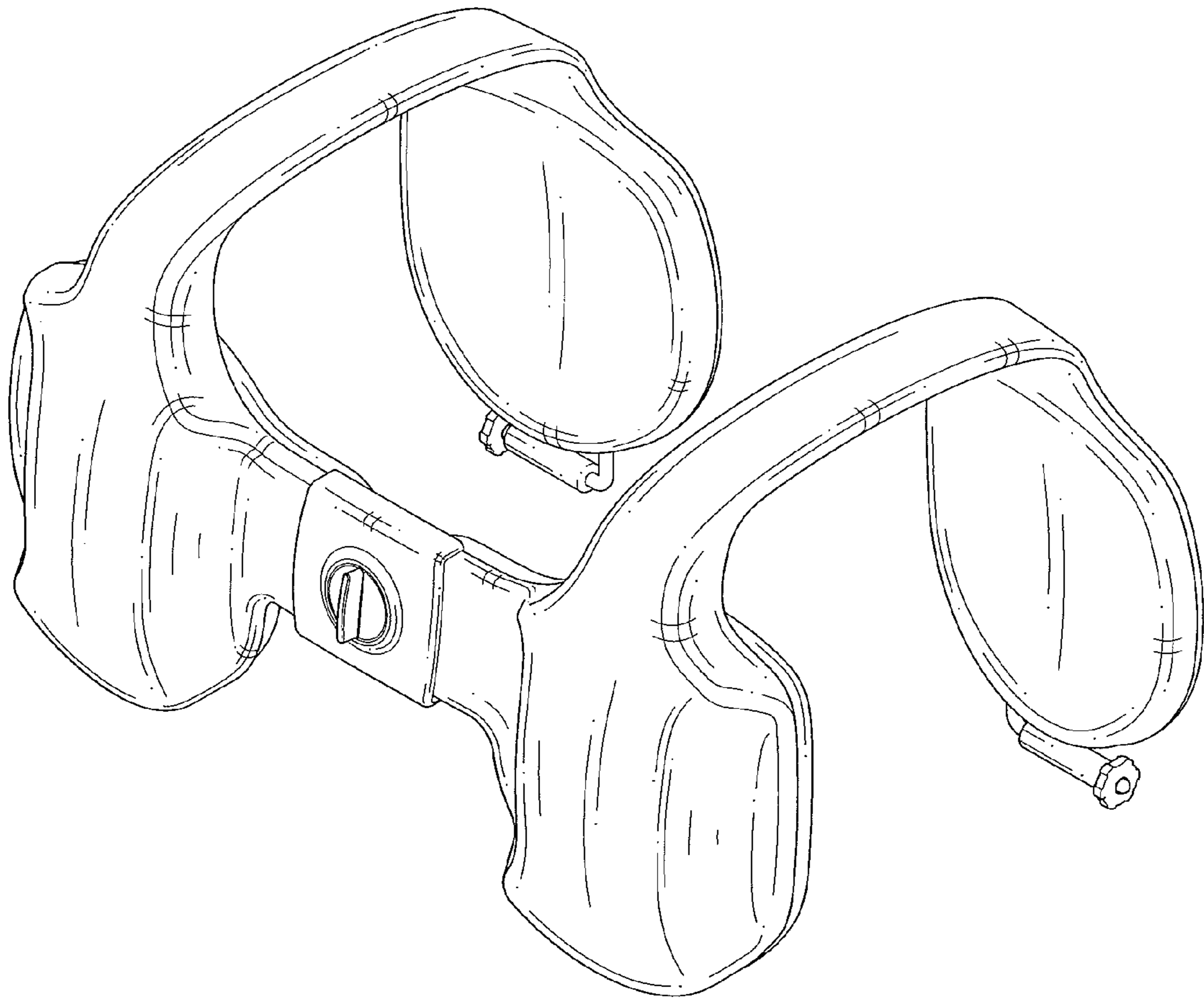


FIG. 2

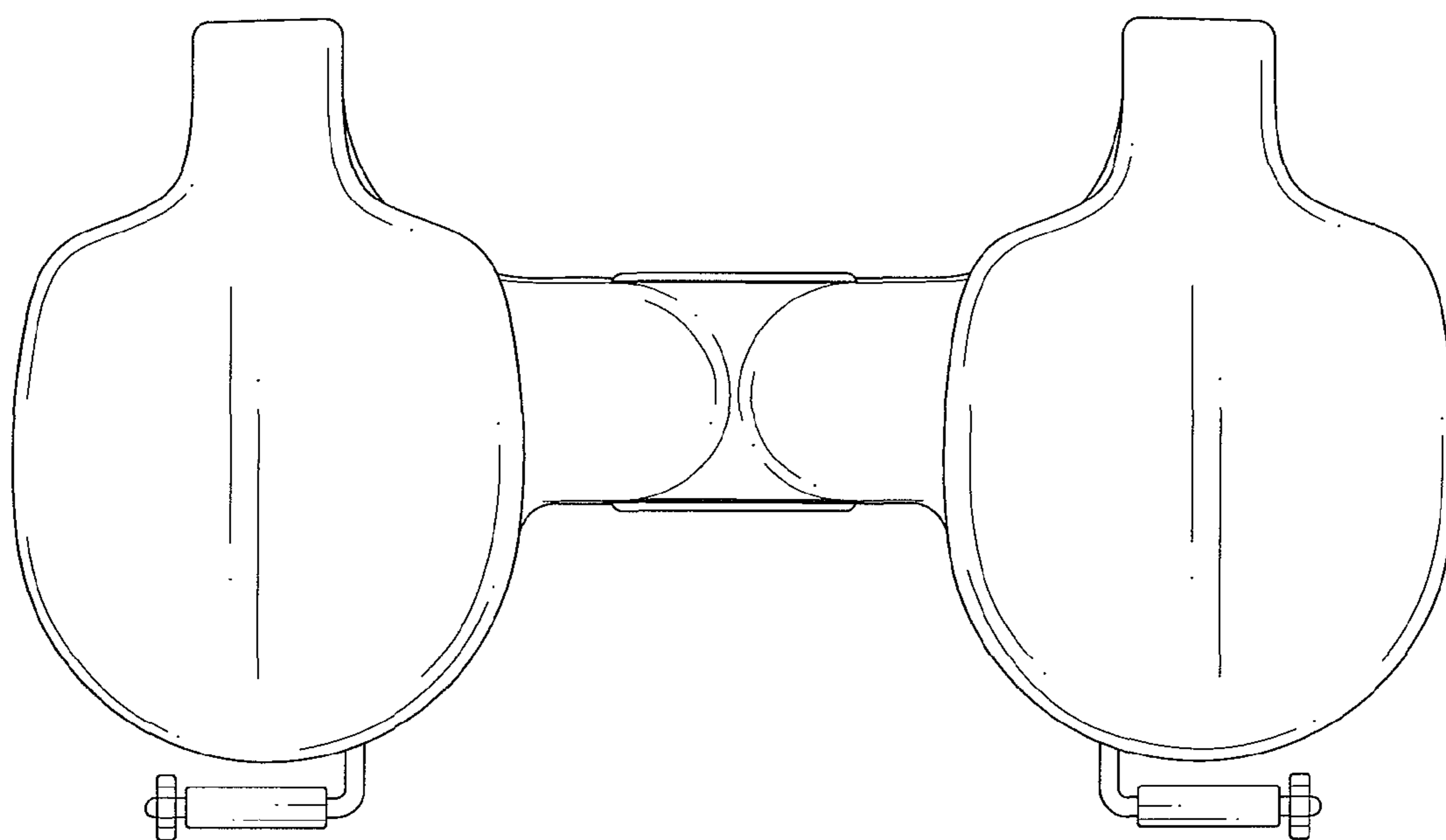


FIG. 3

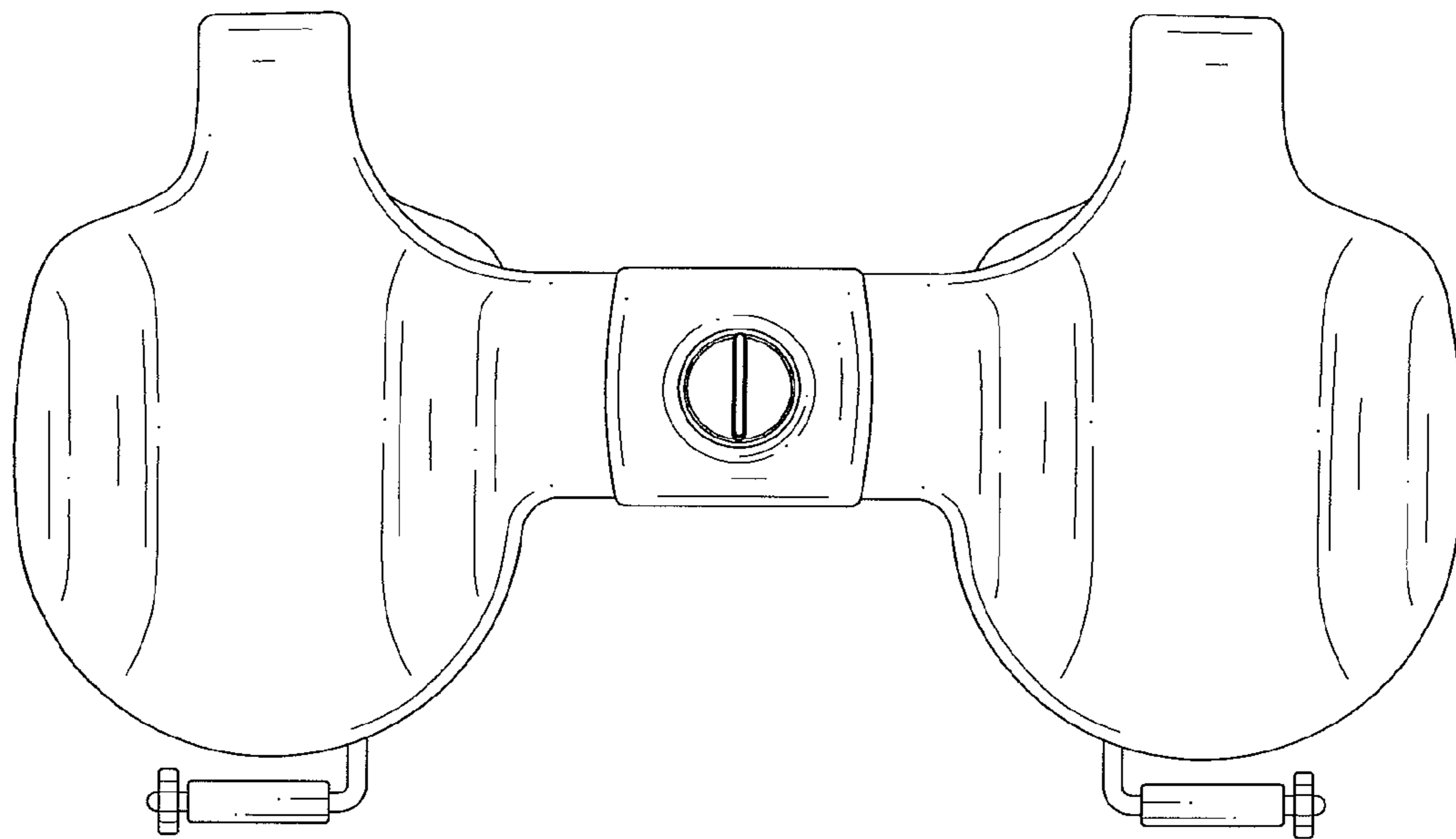


FIG. 4

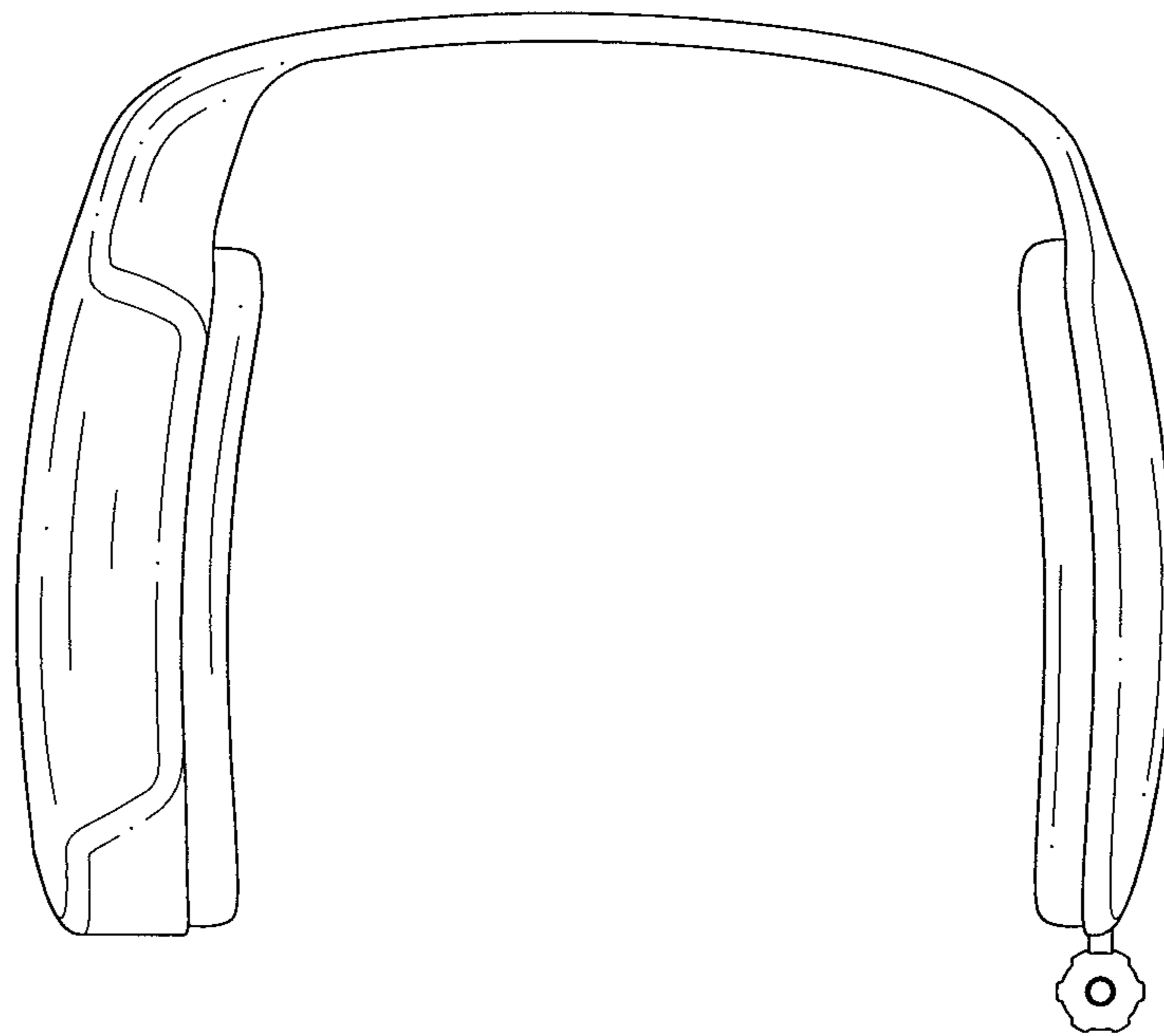


FIG. 5

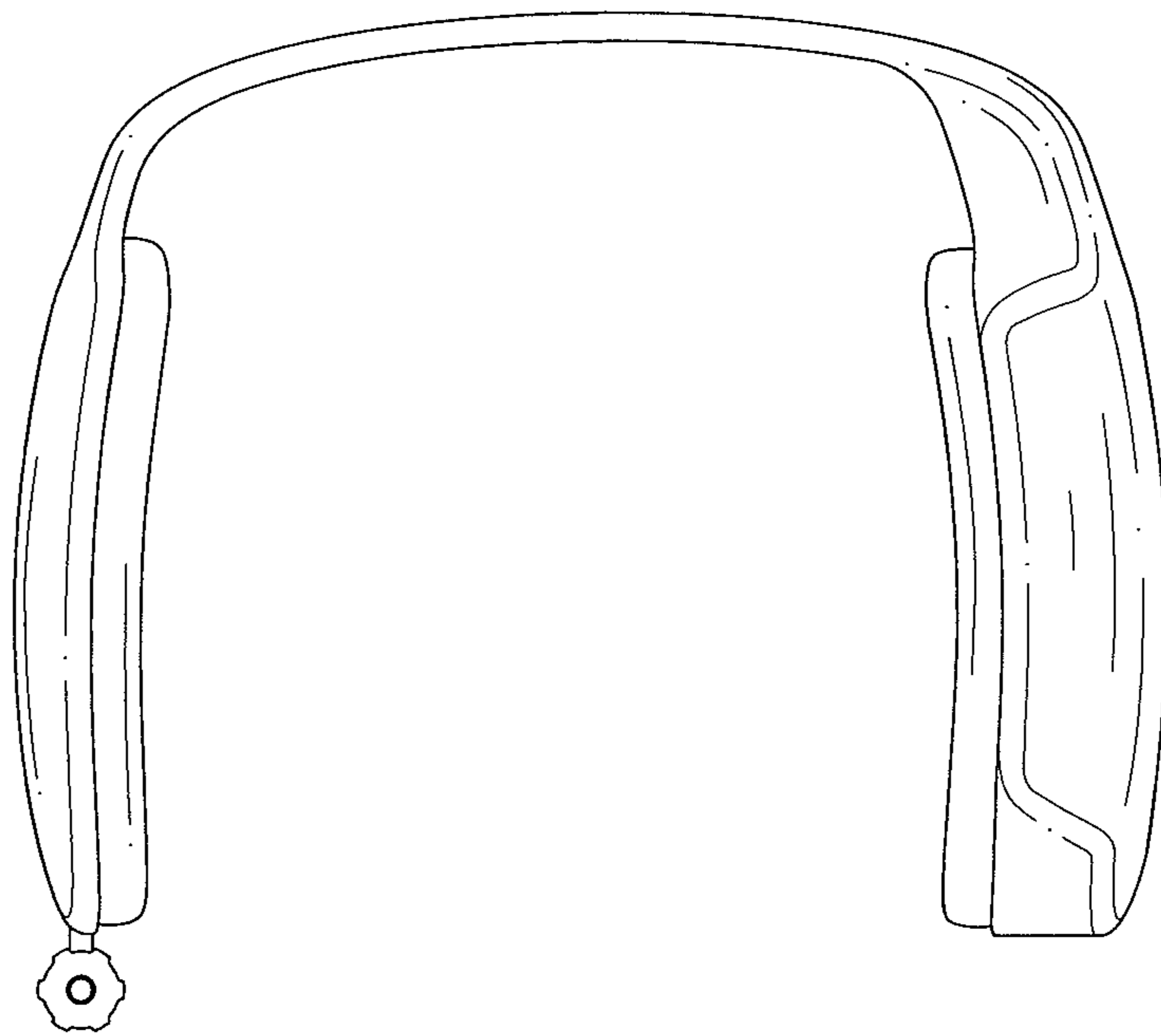


FIG. 6

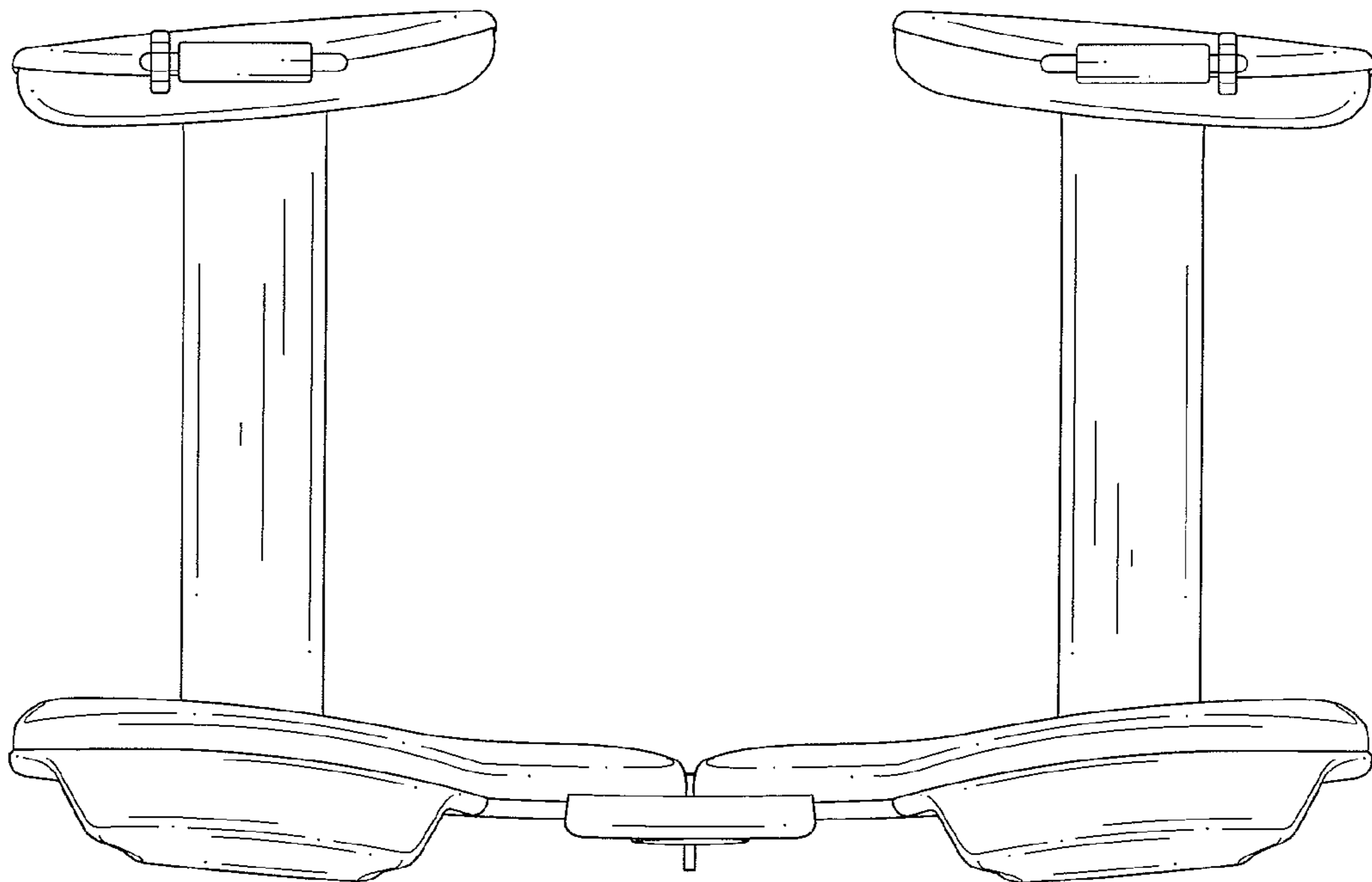


FIG. 7

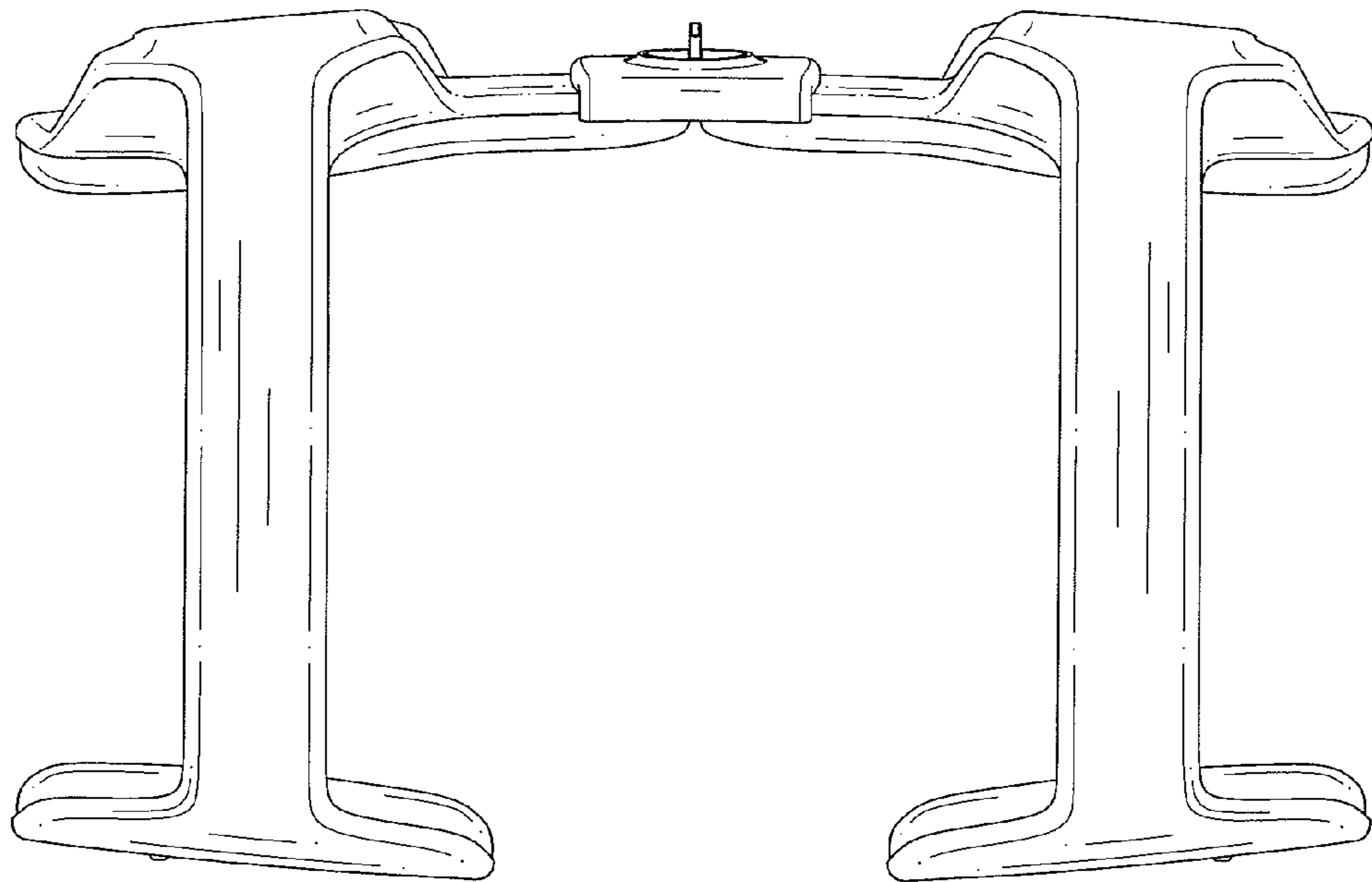


FIG. 8

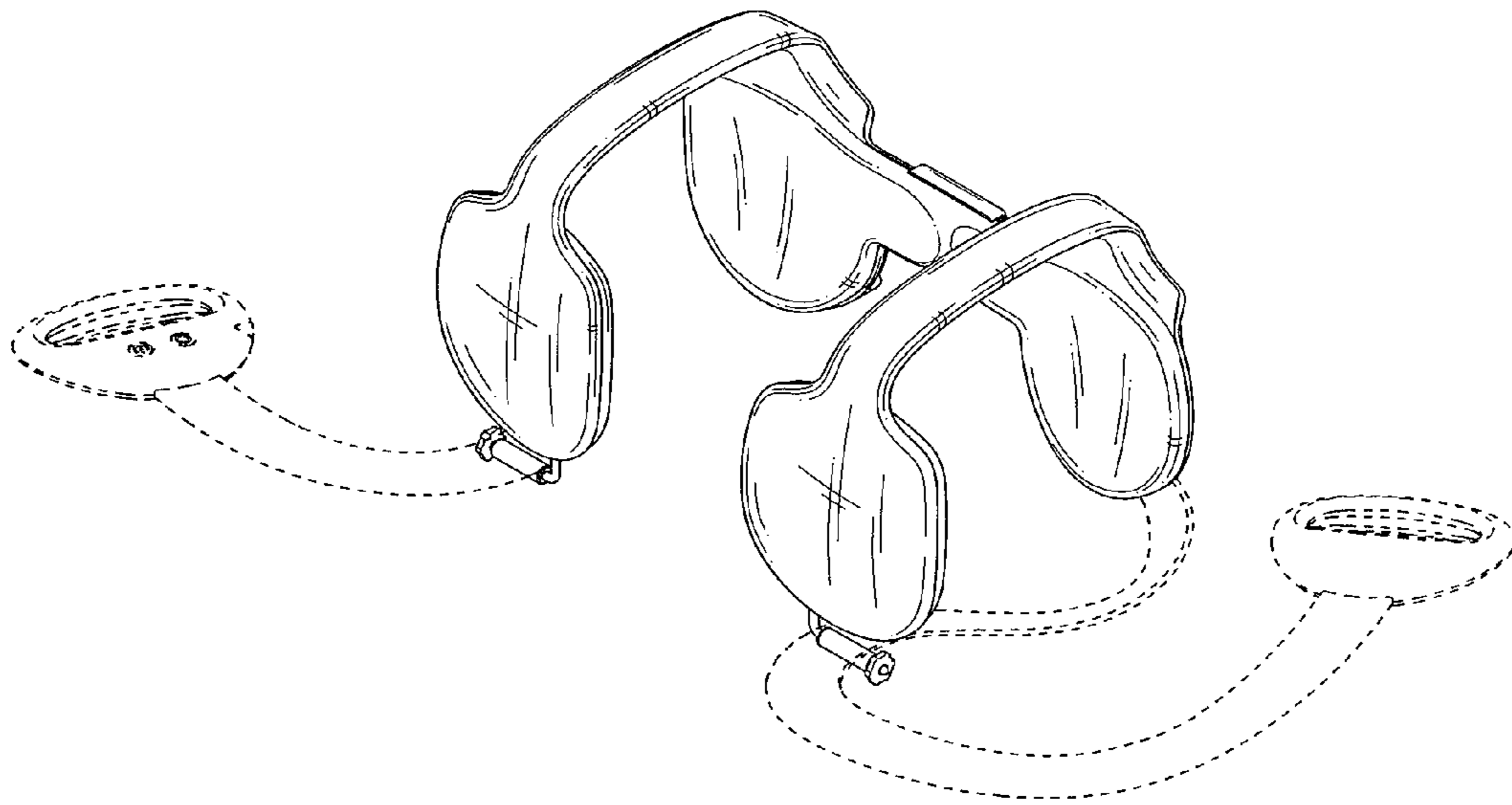


FIG. 9

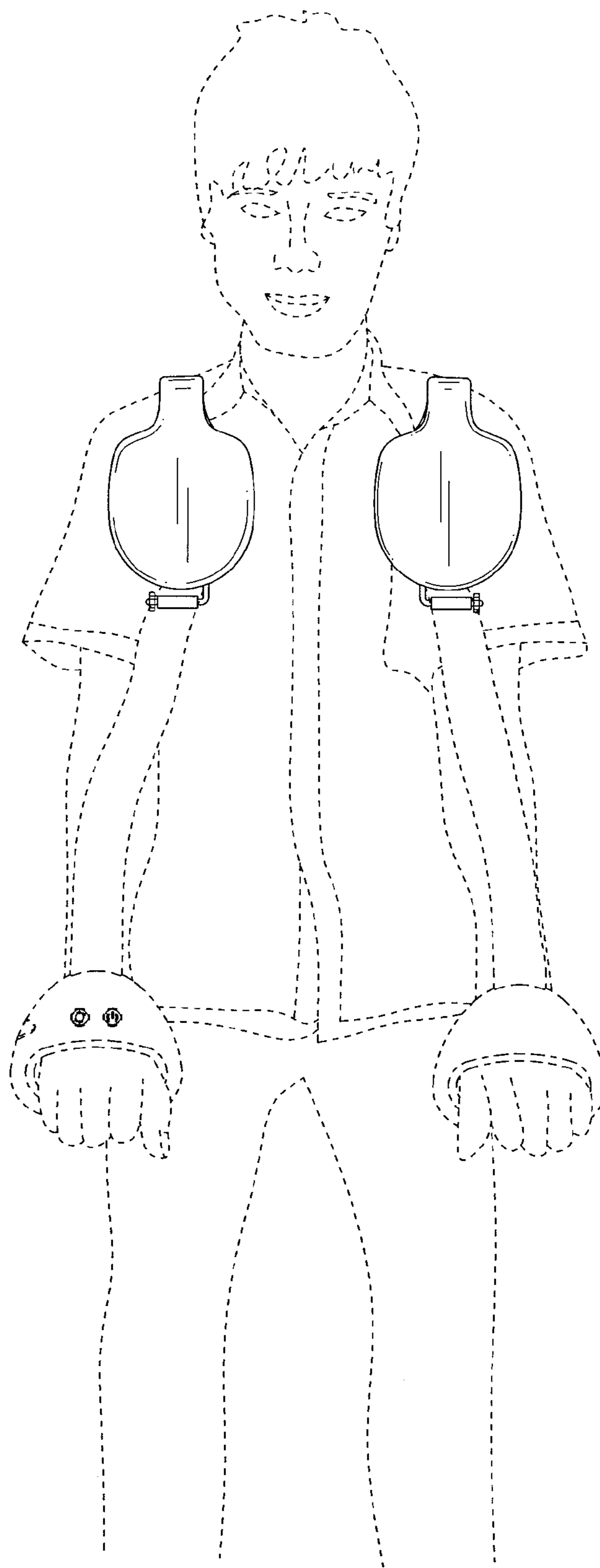


FIG. 10