



US00D705435S

(12) **United States Design Patent**
Gonzales et al.

(10) **Patent No.:** **US D705,435 S**

(45) **Date of Patent:** **** May 20, 2014**

(54) **ELECTRONIC THERAPY DEVICE**

(75) Inventors: **Charles A. Gonzales**, Westminster, CO (US); **Ynacio Mascarenas**, Brighton, CO (US); **Donald Anthony Demma**, Lone Tree, CO (US); **Gary Edward Thomas**, Parker, CO (US)

(73) Assignee: **ARP Manufacturing, LLC**, Centennial, CO (US)

(**) Term: **14 Years**

(21) Appl. No.: **29/430,442**

(22) Filed: **Aug. 24, 2012**

(51) **LOC (10) Cl.** **24-01**

(52) **U.S. Cl.**
USPC **D24/200**

(58) **Field of Classification Search**
USPC D24/169, 200, 209–210; D10/78, 81;
D13/168; 607/2, 88–89, 93; 606/9,
606/237–239; 601/15
See application file for complete search history.

(56) **References Cited**

U.S. PATENT DOCUMENTS

D229,111 S *	11/1973	Avery	D24/200
D282,968 S *	3/1986	Dickhudt	D24/200
D323,561 S *	1/1992	Bartelt et al.	D24/200
D383,212 S *	9/1997	Okabe	D24/200
D439,341 S *	3/2001	Tumey et al.	D24/169
D506,260 S *	6/2005	Ryan	D24/186
D554,266 S *	10/2007	Striepe et al.	D24/186
D566,712 S *	4/2008	Ah	D14/426
D569,987 S *	5/2008	Oberreiter et al.	D24/210
D594,130 S *	6/2009	Scocimara et al.	D24/209
D597,211 S *	7/2009	Ewing et al.	D24/187
D607,574 S *	1/2010	de Buor	D24/210
D616,993 S *	6/2010	Muis et al.	D24/186
D621,515 S *	8/2010	Chua et al.	D24/186
D622,393 S *	8/2010	Gatrall et al.	D24/169
D646,396 S *	10/2011	Seki et al.	D24/209

D647,621 S *	10/2011	Lee et al.	D24/186
D651,924 S *	1/2012	Faulkner et al.	D10/81
D656,620 S *	3/2012	Altshuler et al.	D24/209
D659,843 S *	5/2012	Wang	D24/200
D663,421 S *	7/2012	Steiner et al.	D24/169
D665,504 S *	8/2012	Arimitsu	D24/186

(Continued)

Primary Examiner — Eric Goodman

Assistant Examiner — John Reickel

(74) *Attorney, Agent, or Firm* — Shewchuk IP Services, LLC; Jeffrey D. Shewchuk

(57) **CLAIM**

The ornamental design for an electronic therapy device, as shown and described.

DESCRIPTION

FIG. 1 is a front view of a first embodiment of an electronic therapy device in accordance with the present invention.

FIG. 2 is a right side view showing the electronic therapy device of FIG. 1.

FIG. 3 is top view of the electronic therapy device of FIGS. 1-2.

FIG. 4 is a rear view of the electronic therapy device of FIGS. 1-3.

FIG. 5 is a left side view of the electronic therapy device of FIGS. 1-4.

FIG. 6 is a bottom view of the electronic therapy device of FIGS. 1-5.

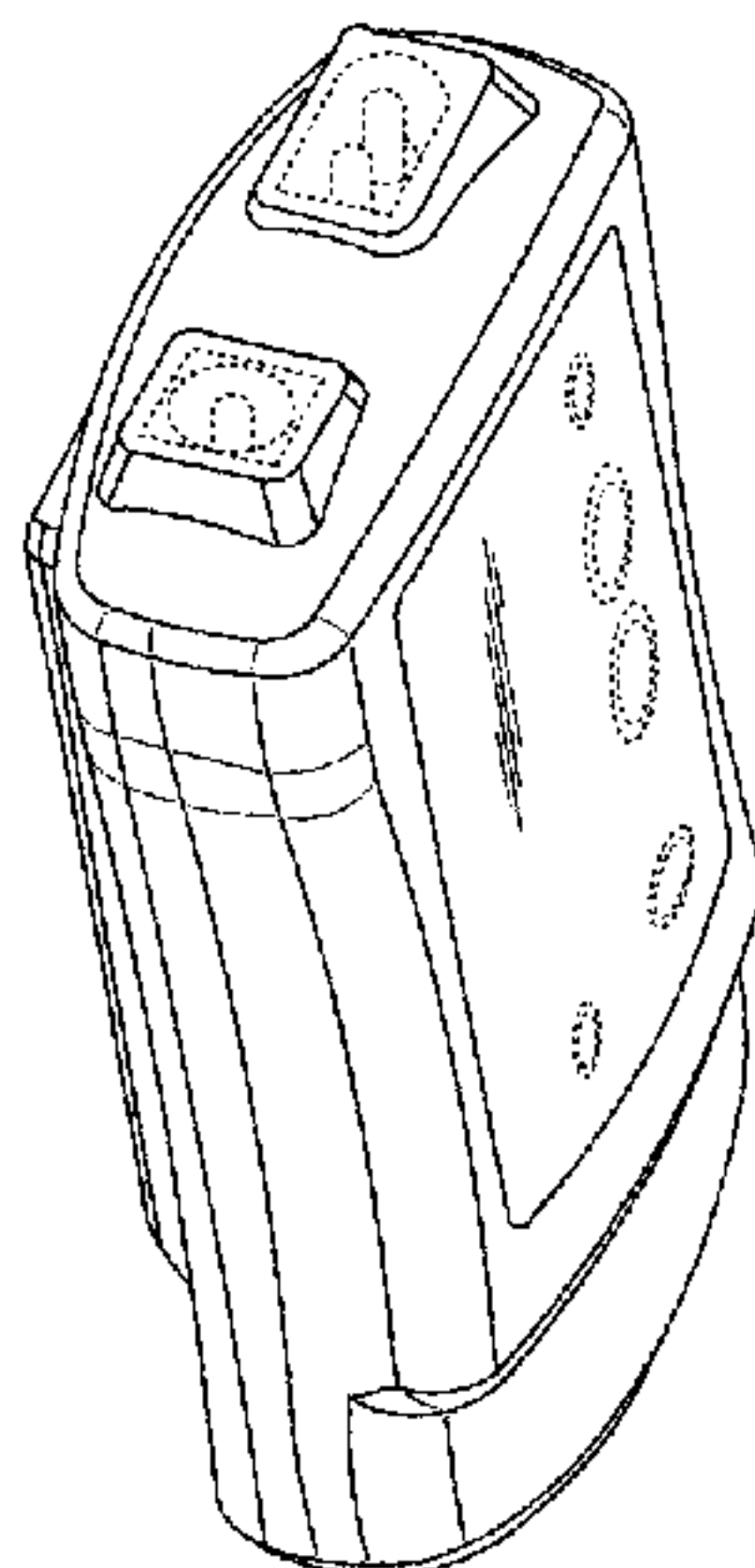
FIG. 7 is a perspective view of the electronic therapy device of FIGS. 1-6.

FIG. 8 is another perspective view of the electronic therapy device of FIGS. 1-7; and,

FIG. 9 is a perspective view of the back side of the electronic therapy device of FIGS. 1-8.

The dashed lines are intended to show the control buttons, electrical connection structures and battery cover vents of the electronic therapy device and do not form a part of the claimed design.

1 Claim, 3 Drawing Sheets



US D705,435 S

Page 2

(56)

References Cited

U.S. PATENT DOCUMENTS

D670,582 S	*	11/2012	Matuschek et al.	D10/70		
D676,136 S	*	2/2013	Arimitsu	D24/186		
2002/0072771 A1	*	6/2002	Lee	607/2		
2011/0319947 A1	*	12/2011	Chun et al.	607/2		

* cited by examiner

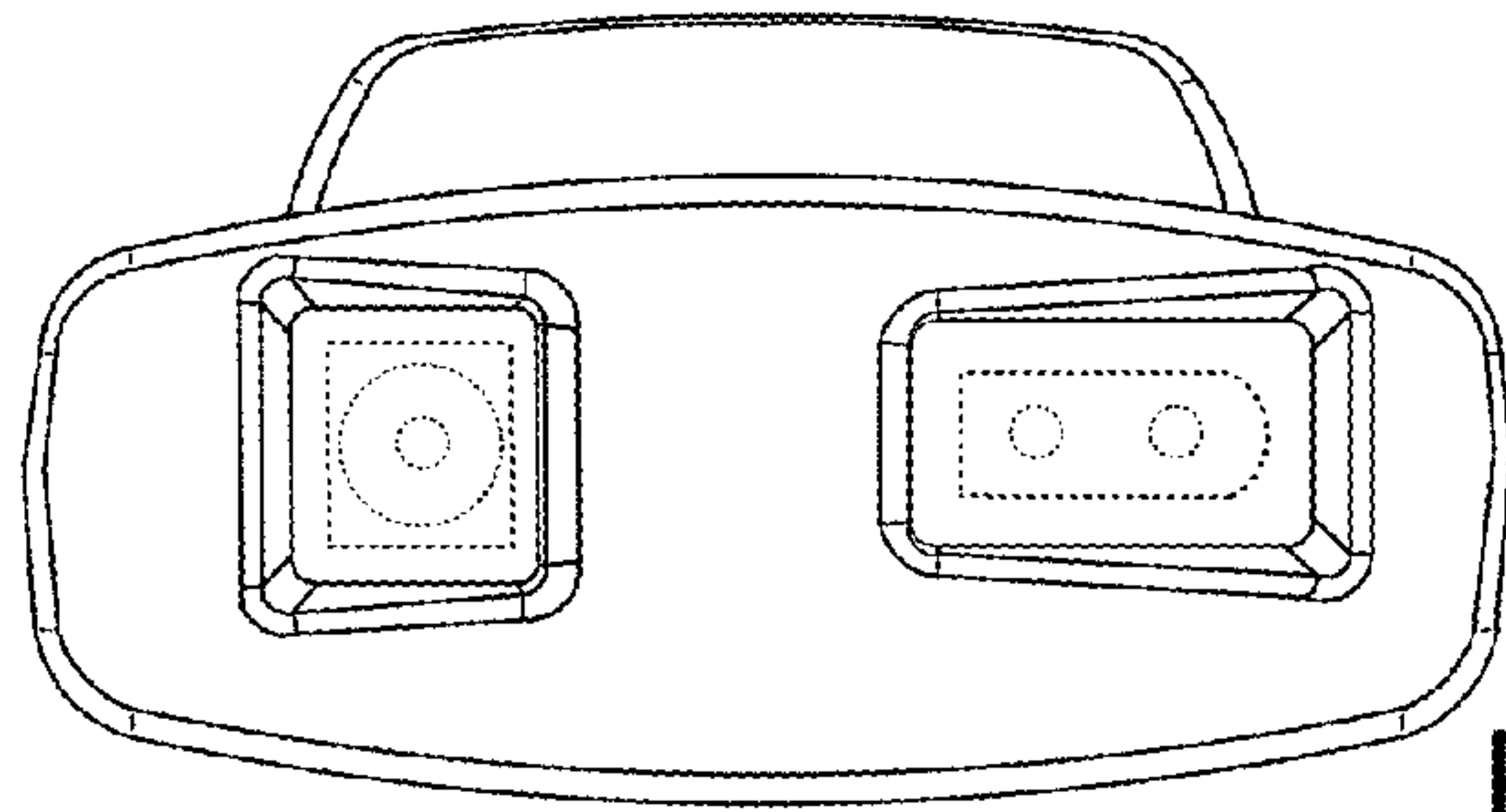


FIG. 3

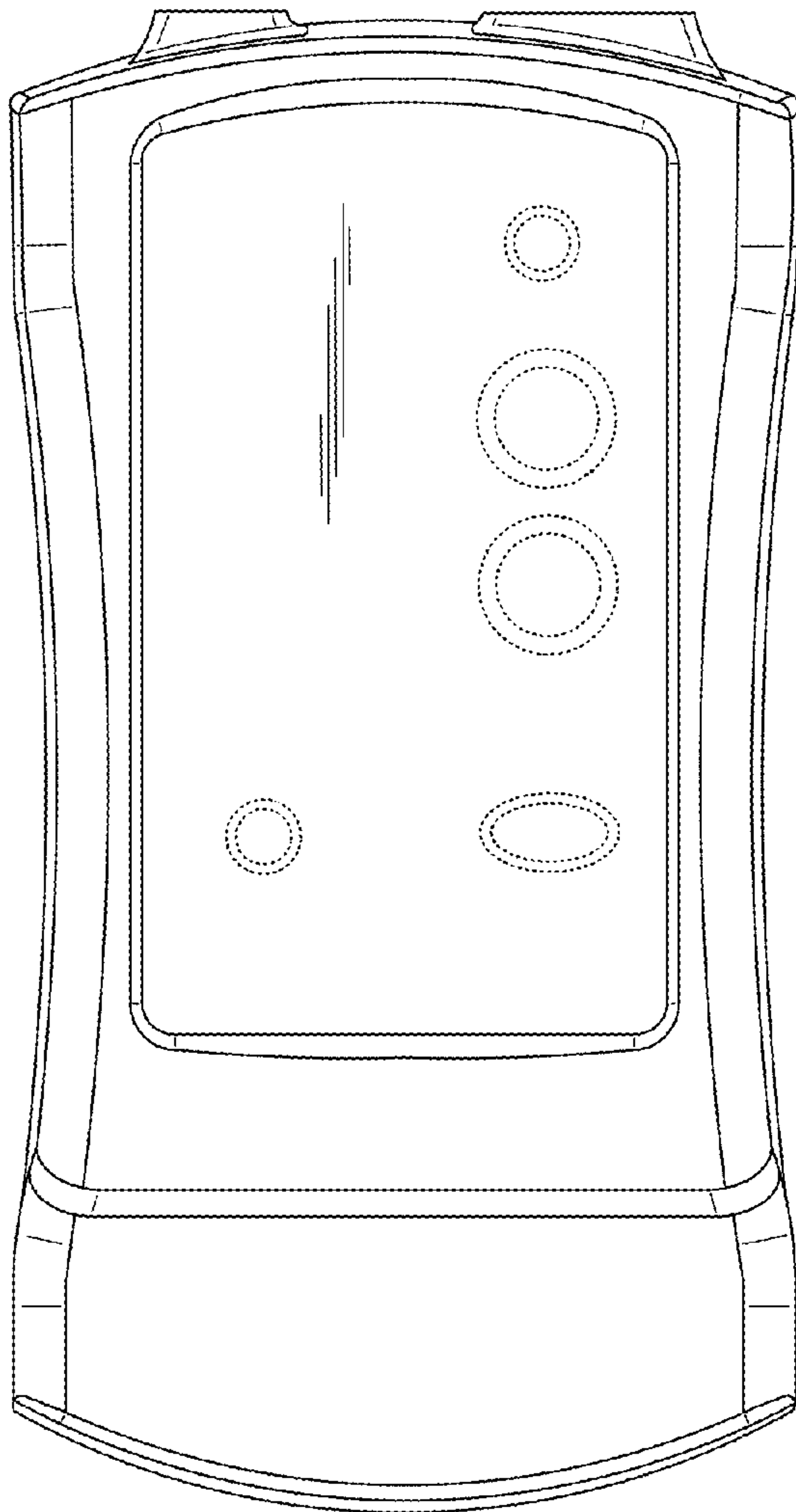


FIG. 1

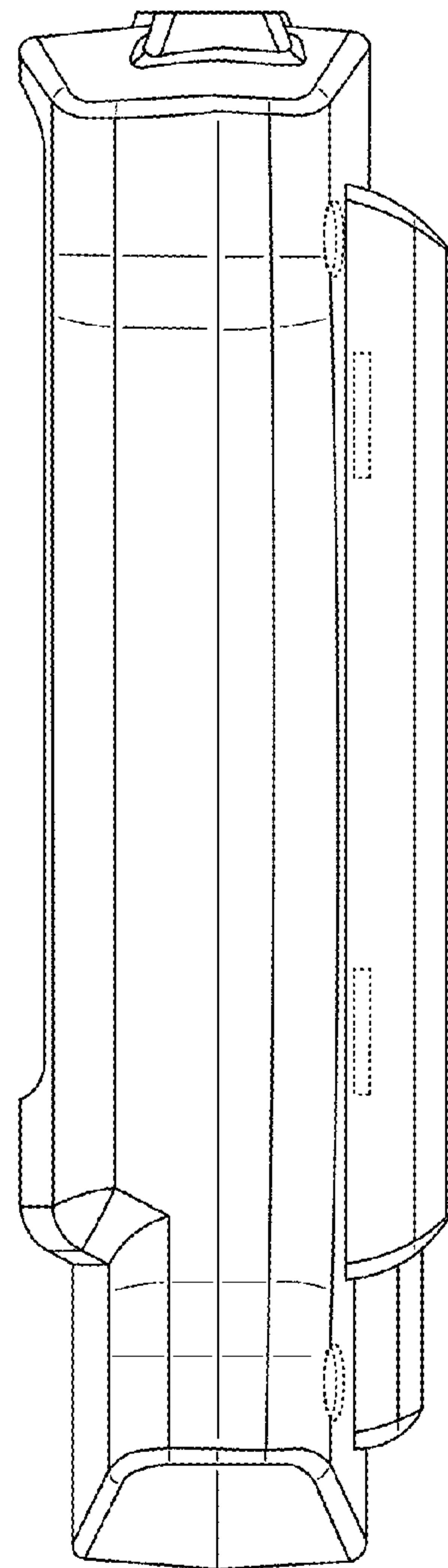


FIG. 2

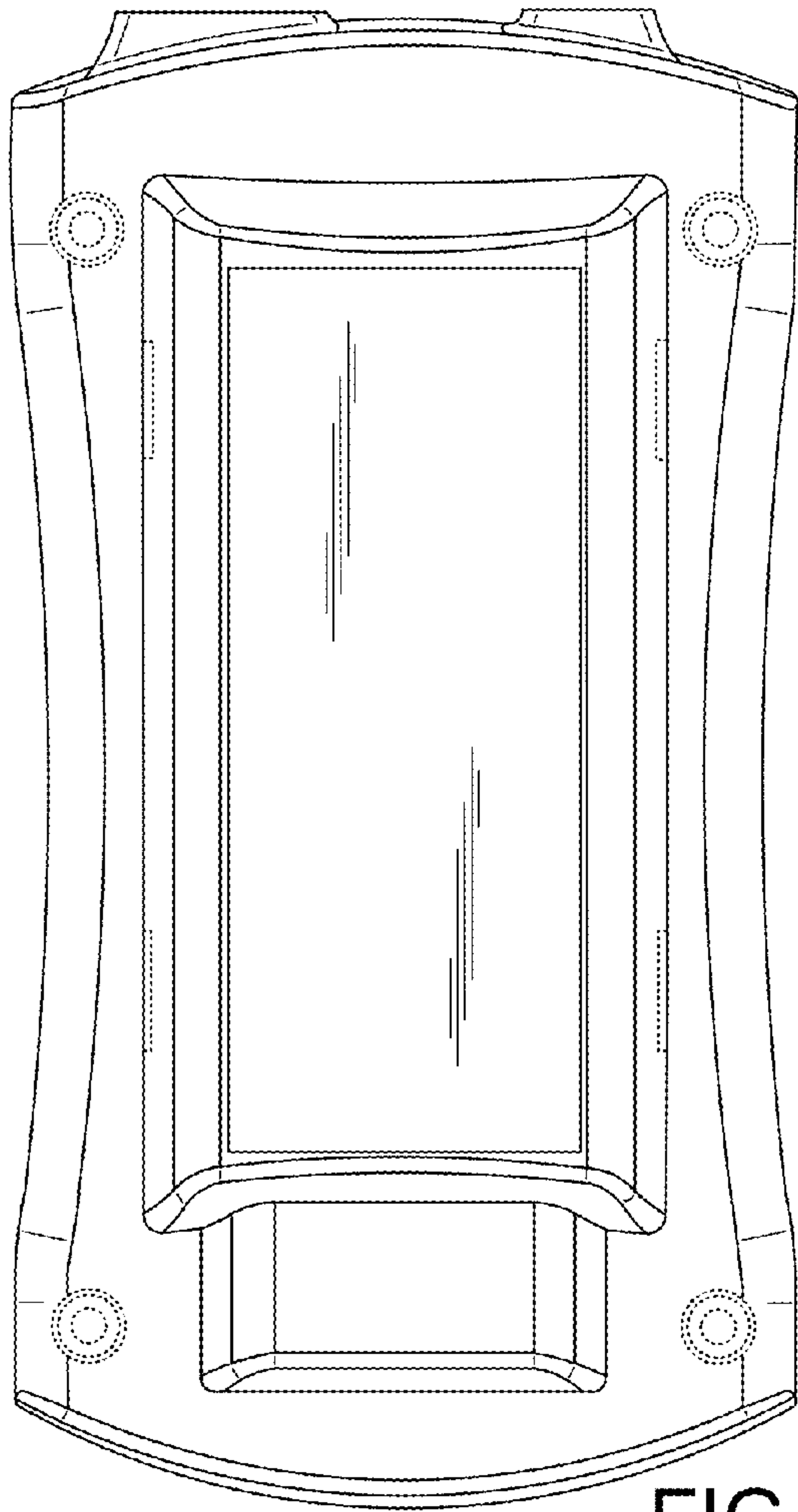


FIG. 4

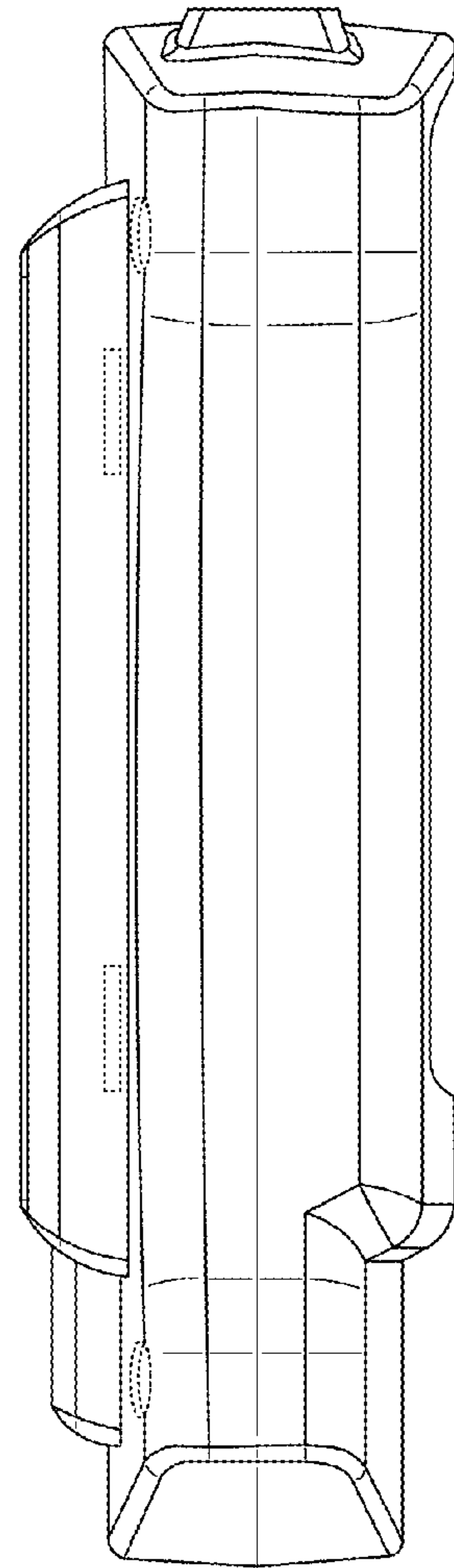


FIG. 5

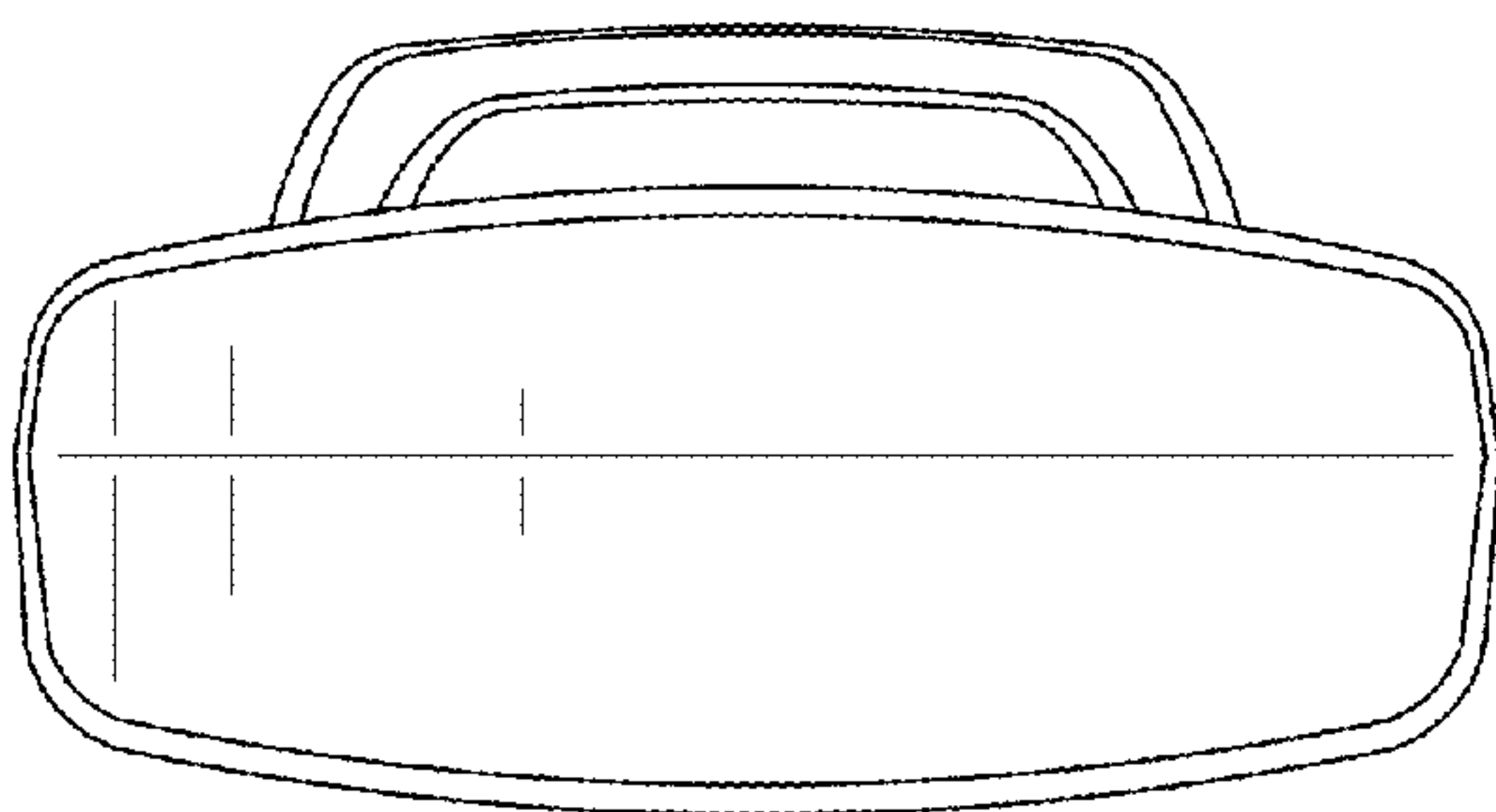


FIG. 6

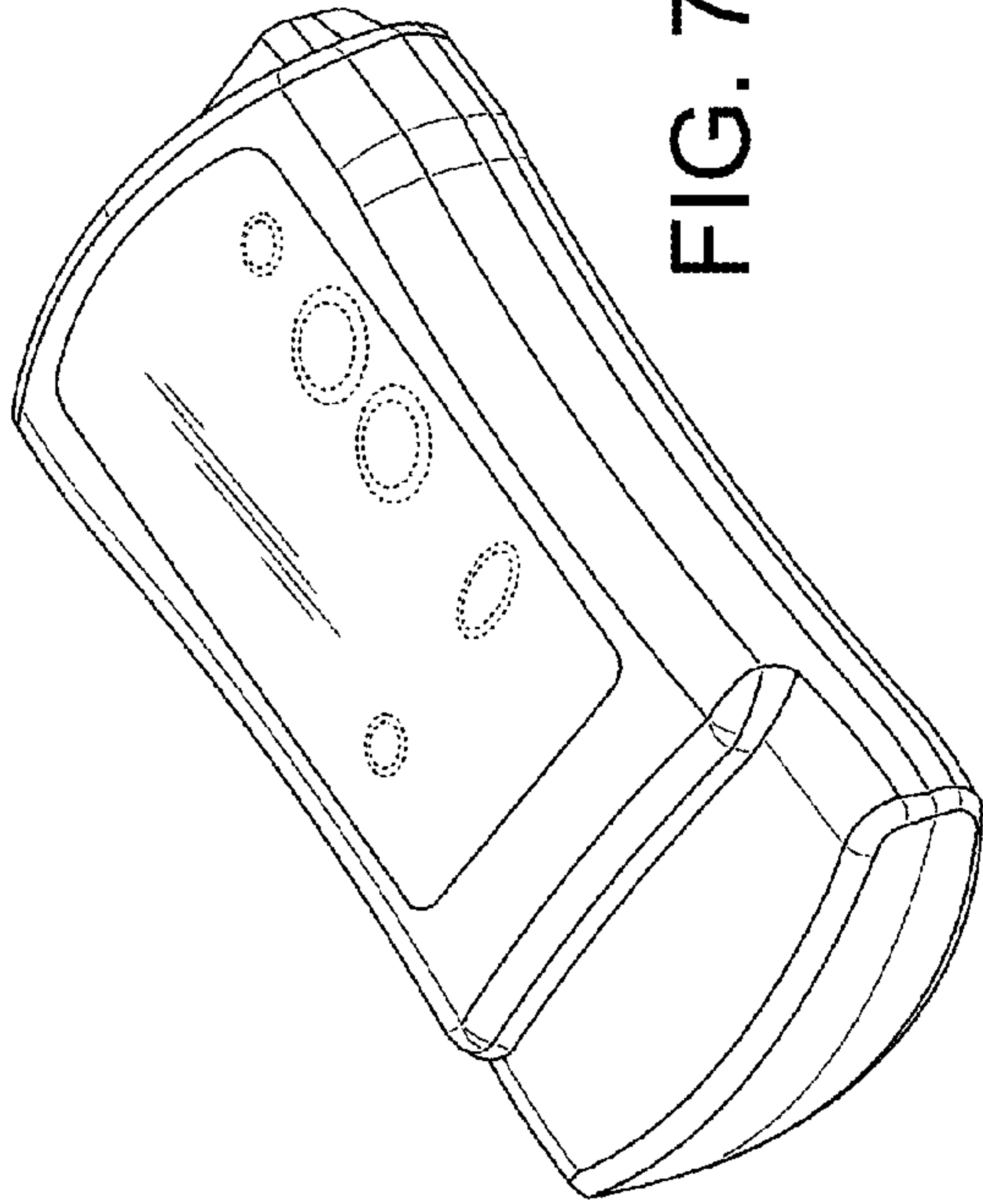


FIG. 7

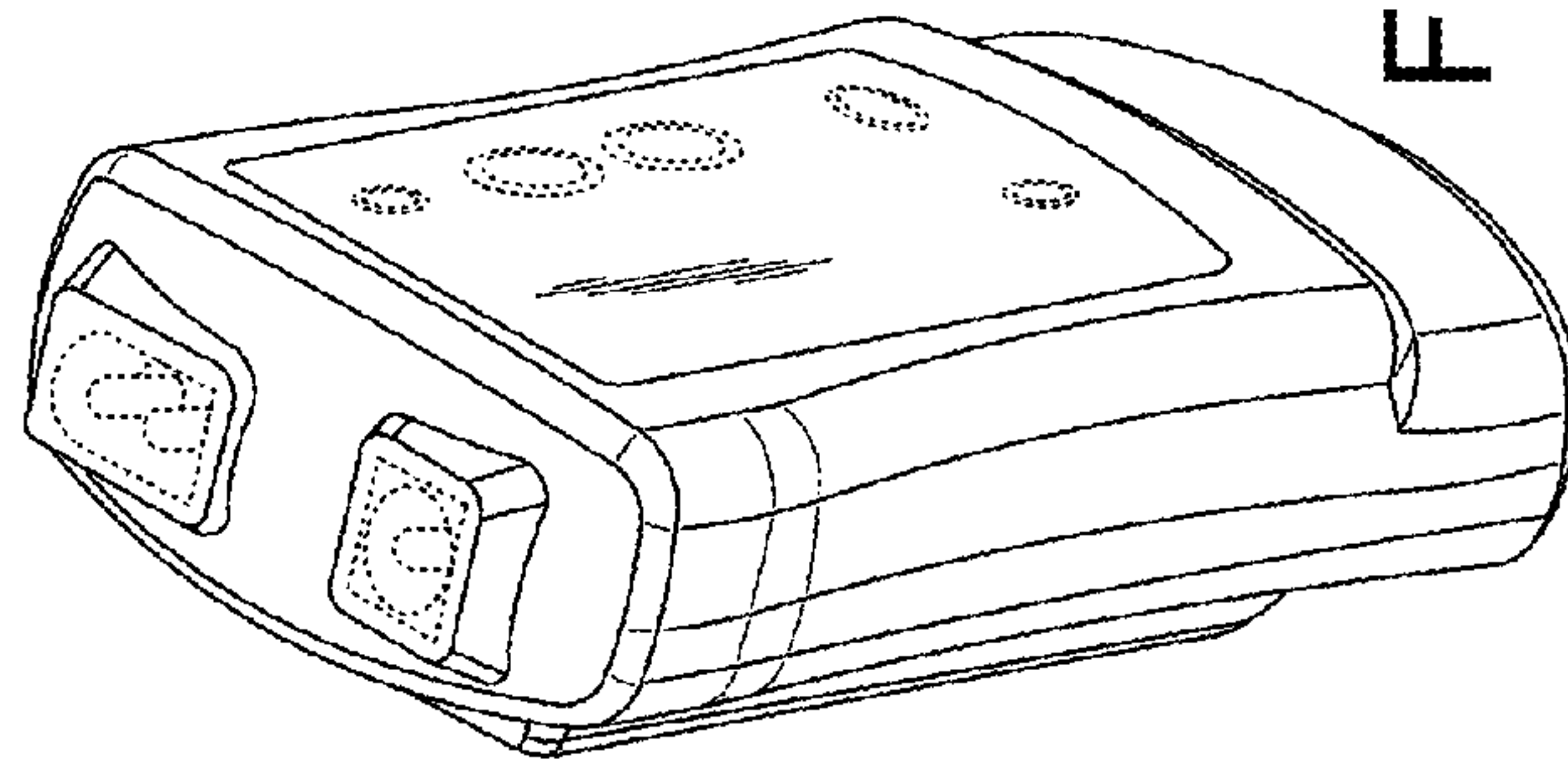


FIG. 8

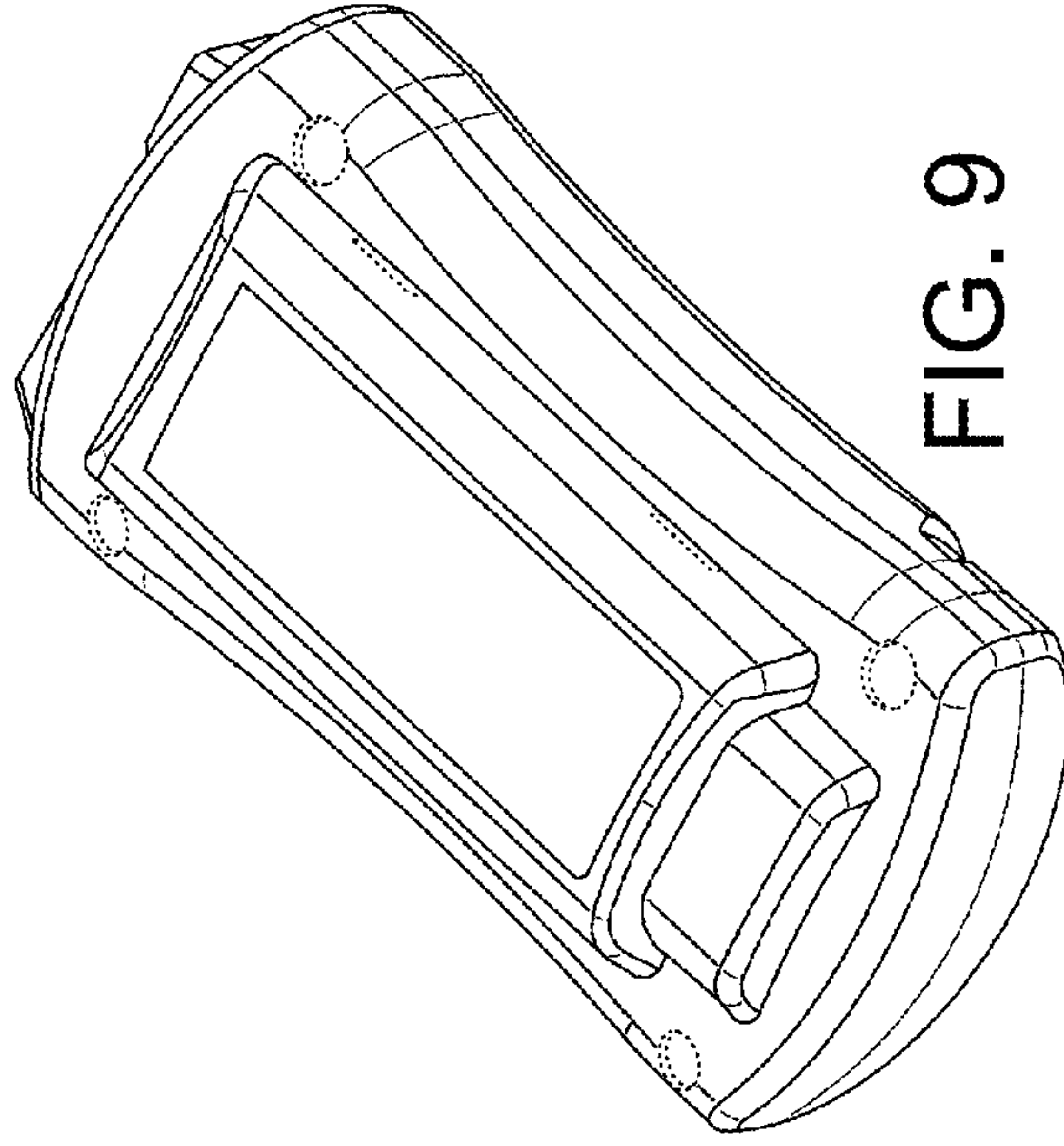


FIG. 9