



US00D705433S

(12) **United States Design Patent**
Ran et al.

(10) **Patent No.:** **US D705,433 S**

(45) **Date of Patent:** **** May 20, 2014**

(54) **PROBE FOR ULTRASOUND DIAGNOSTIC APPARATUS**

(71) Applicant: **Samsung Medison Co., Ltd.,**
Hongcheon-gun (KR)

(72) Inventors: **Song Mi Ran, Seoul (KR); Ui Kim,**
Seoul (KR)

(73) Assignee: **Samsung Medison Co., Ltd.,**
Hongcheon-Gun (KR)

(**) Term: **14 Years**

(21) Appl. No.: **29/467,379**

(22) Filed: **Sep. 18, 2013**

(30) **Foreign Application Priority Data**

Mar. 19, 2013 (KR) 30-2013-0013806

(51) **LOC (10) Cl.** **24-01**

(52) **U.S. Cl.**
USPC **D24/187**

(58) **Field of Classification Search**
USPC D24/138, 141, 158, 164, 165, 167, 170,
D24/186-187, 133, 144; D10/57, 60, 78,
D10/80; 600/407, 461, 446, 439; 378/98.7,
378/98.8, 189

See application file for complete search history.

(56) **References Cited**

U.S. PATENT DOCUMENTS

D316,376 S *	4/1991	Dubut	D10/60
D319,793 S *	9/1991	Dubut	D10/60
D328,495 S *	8/1992	Ungari	D24/187
D389,918 S *	1/1998	Ninomiya et al.	D24/186
D467,002 S *	12/2002	Felix et al.	D24/187
6,709,392 B1 *	3/2004	Salgo et al.	600/439
D555,252 S *	11/2007	Kitayama et al.	D24/186
D622,401 S *	8/2010	Suzuki	D24/187
D681,820 S *	5/2013	Shinohara et al.	D24/186
D681,823 S *	5/2013	Shinohara et al.	D24/186
D681,827 S *	5/2013	Shinohara et al.	D24/186
D685,100 S *	6/2013	Shinohara et al.	D24/186

* cited by examiner

Primary Examiner — T. Chase Nelson

Assistant Examiner — Mark Cavanna

(74) *Attorney, Agent, or Firm* — Ladas & Parry LLP

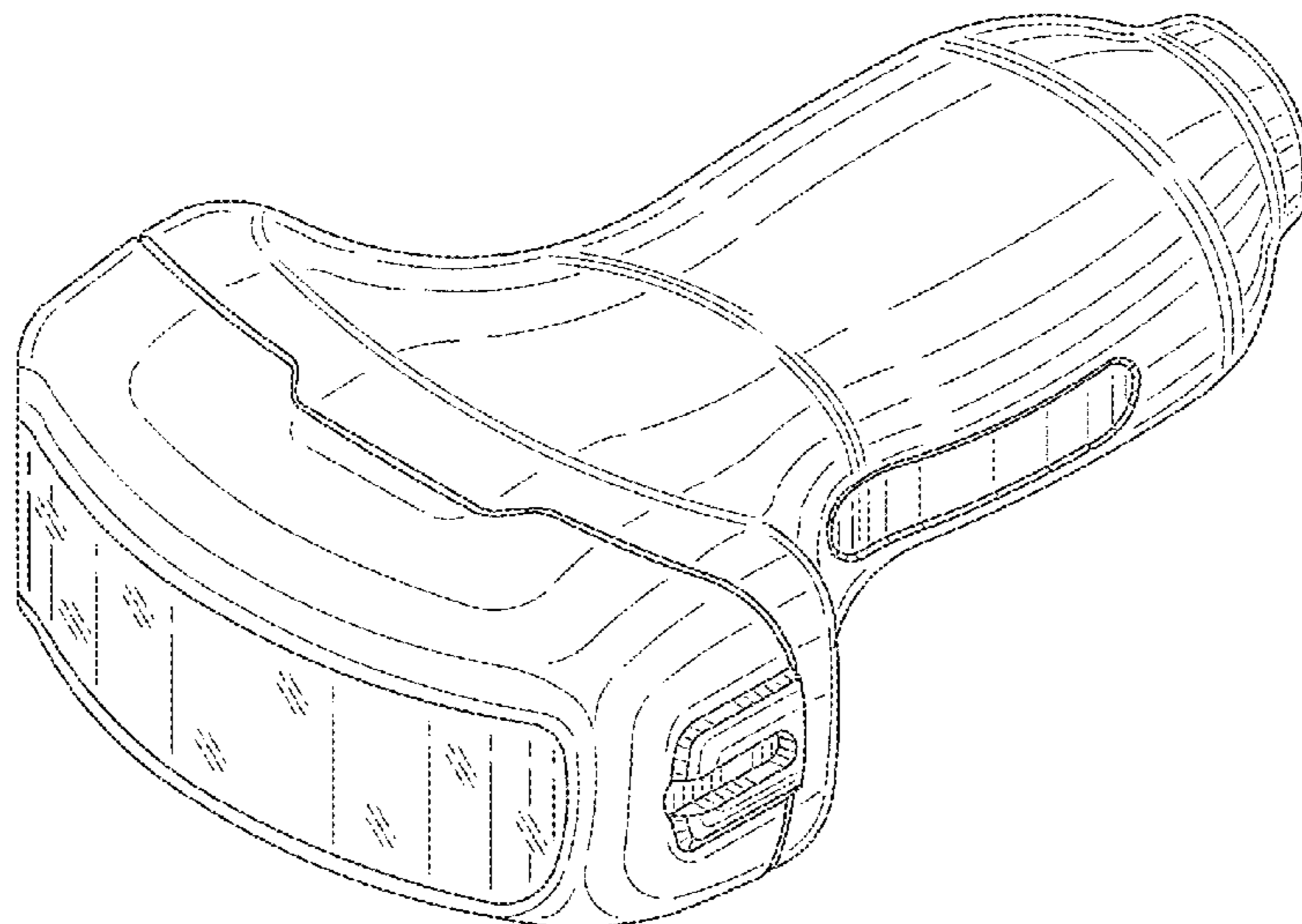
(57) **CLAIM**

The ornamental design for a probe for ultrasound diagnostic apparatus, as shown and described.

DESCRIPTION

FIG. 1 is a perspective view of a probe for ultrasound diagnostic apparatus showing my new design. FIG. 2 is a front elevational view thereof; FIG. 3 is a rear elevational view thereof; FIG. 4 is a left-side elevational view thereof; FIG. 5 is a right-side elevational view thereof; FIG. 6 is a top plan view thereof; and, FIG. 7 is a bottom plan view thereof. The broken lines are included for the purpose of illustrating portions of the probe for ultrasound diagnostic apparatus that form no part of the claimed design.

1 Claim, 5 Drawing Sheets



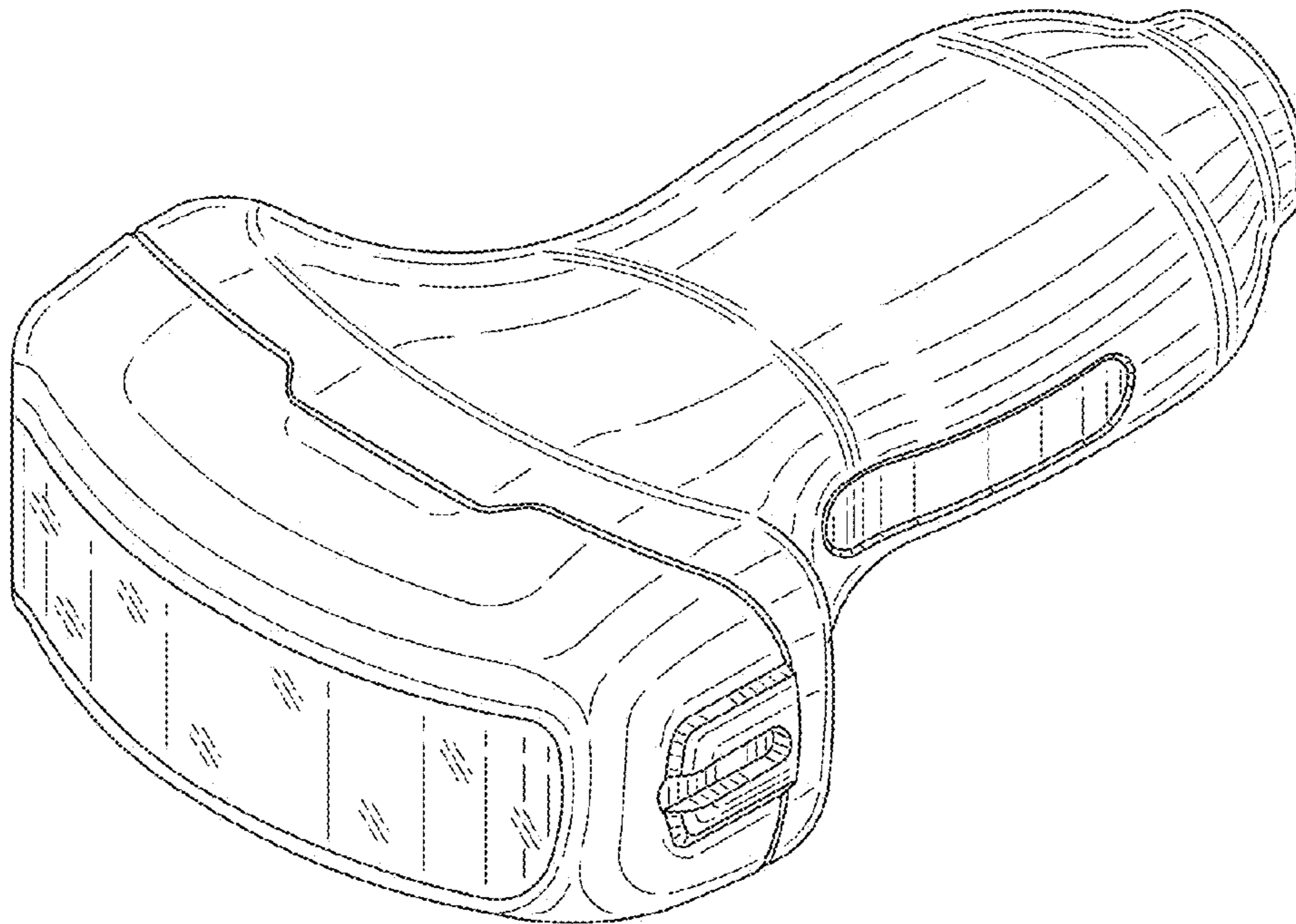


FIG. 1

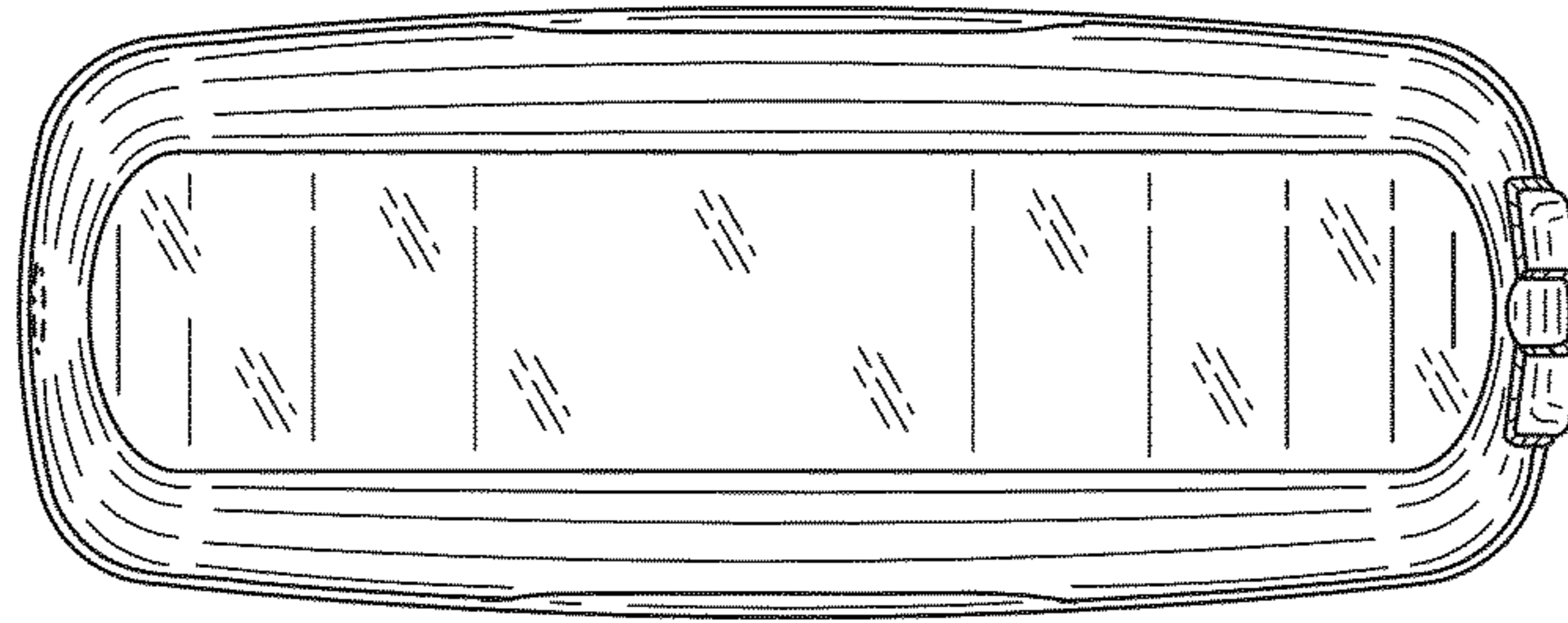


FIG. 2

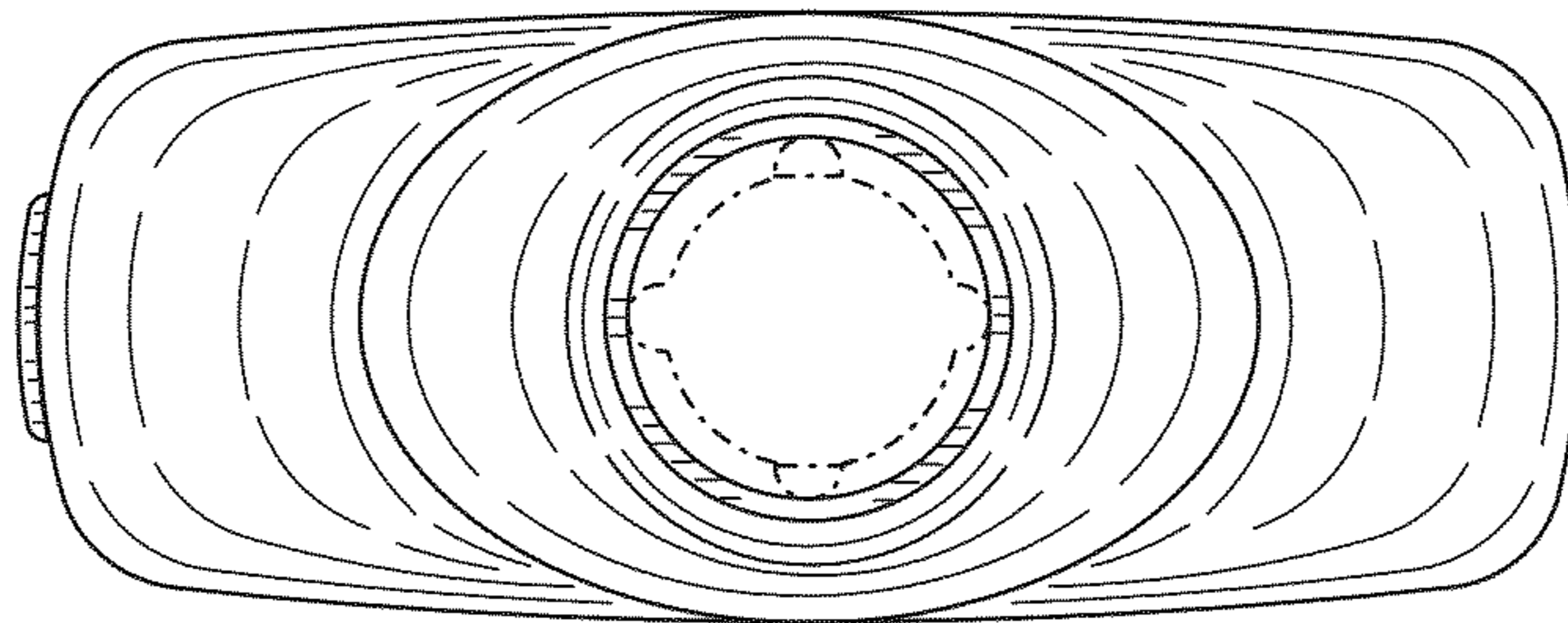


FIG. 3

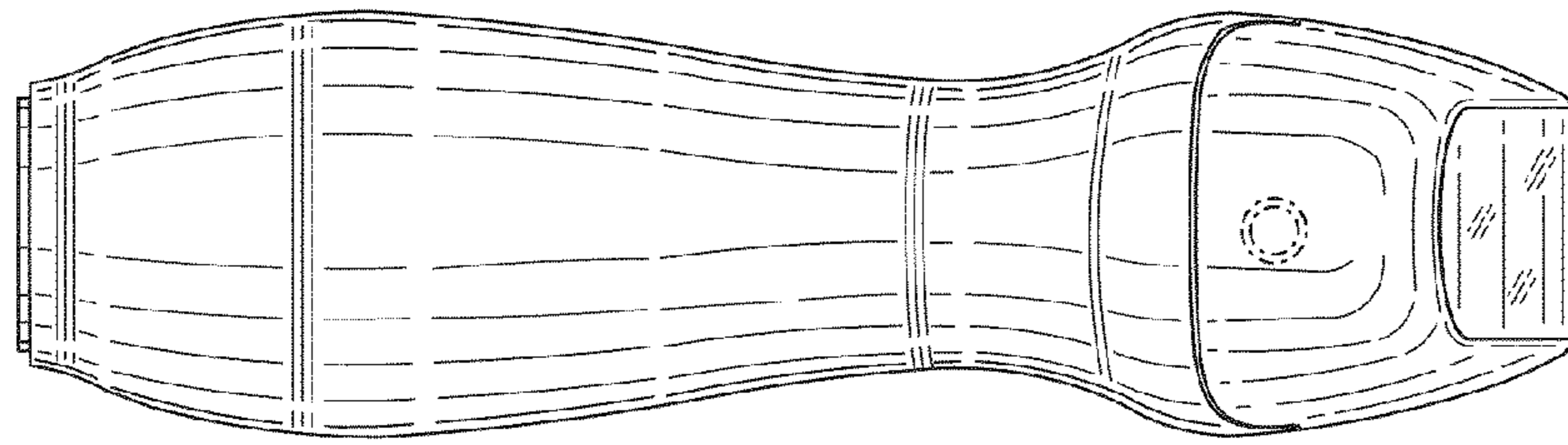


FIG. 4

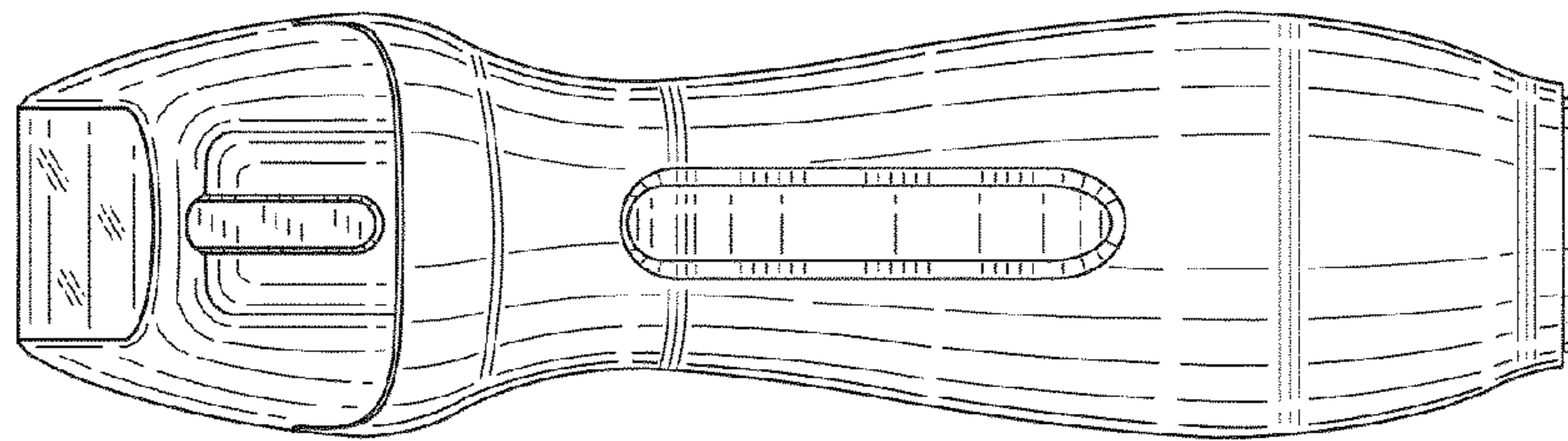


FIG. 5

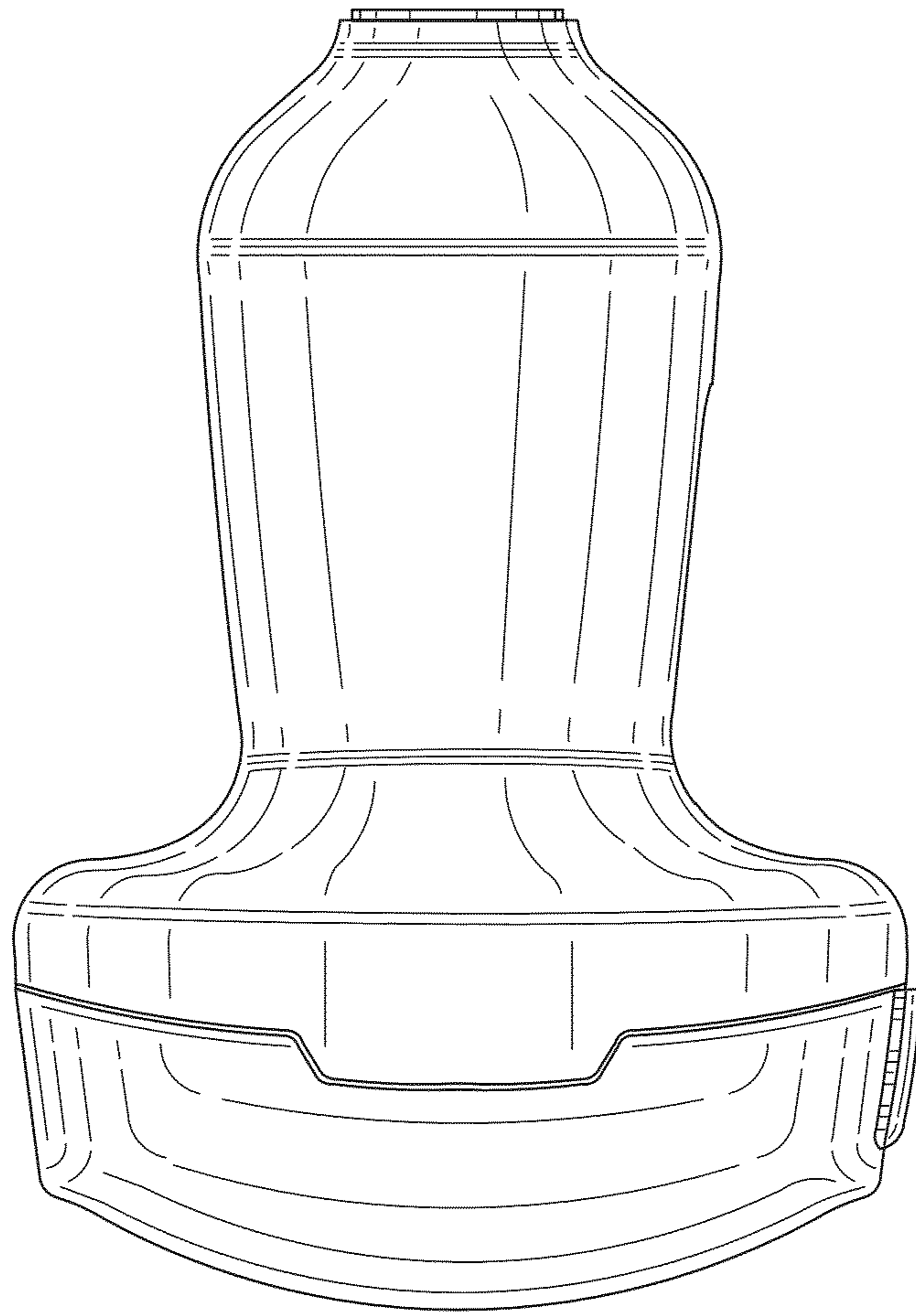


FIG. 6

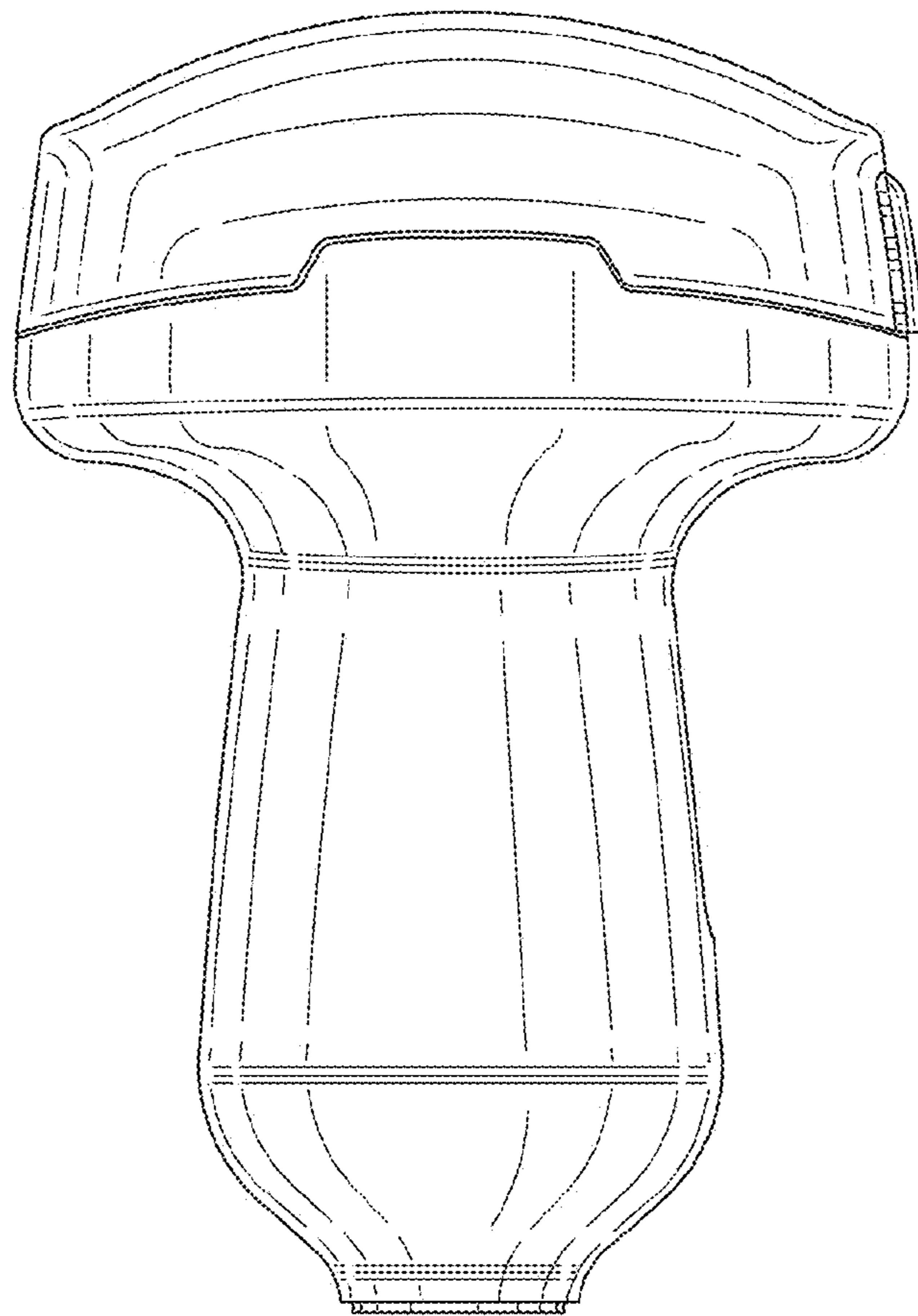


FIG. 7