



US00D705431S

(12) **United States Design Patent**
Abramson et al.

(10) **Patent No.:** **US D705,431 S**

(45) **Date of Patent:** **** May 20, 2014**

(54) **PORTABLE HEAD REST**

(75) Inventors: **Julie Abramson**, Atlanta, GA (US);
Mary Pat Dunwody Monfort, Macon,
GA (US); **Maria Prekeges**, Santa
Monica, CA (US)

(73) Assignee: **Solounger, LLC**, Atlanta, GA (US)

(**) Term: **14 Years**

(21) Appl. No.: **29/404,249**

(22) Filed: **Oct. 18, 2011**

(51) **LOC (10) Cl.** **06-06**

(52) **U.S. Cl.**
USPC **D24/184; D24/200**

(58) **Field of Classification Search**
USPC D3/294; D6/596, 601; D8/358; D9/415;
D14/192, 205-206, 223;
D24/183-184, 190-191, 200, 206-207,
D24/214-215; 5/636, 639, 640, 644, 652;
128/845

See application file for complete search history.

(56) **References Cited**

U.S. PATENT DOCUMENTS

3,382,511	A *	5/1968	Brooks	5/652
5,177,823	A *	1/1993	Riach	5/636
D420,845	S *	2/2000	Rumage	D6/601
6,148,460	A *	11/2000	Fried et al.	5/661
6,151,734	A *	11/2000	Lawrie	5/640
D452,569	S *	12/2001	Bugarin	D24/191
6,397,414	B1 *	6/2002	Lloyd	5/622
D497,430	S *	10/2004	Tinsley	D24/184
7,036,168	B1 *	5/2006	Knickerbocker	5/640
D554,262	S *	10/2007	Follweiler	D24/184
D599,151	S *	9/2009	Wilson	D6/601
7,761,943	B2 *	7/2010	Roleder et al.	5/622

D677,507	S *	3/2013	Rocha	D6/601
D683,463	S *	5/2013	Huggins	D24/184
2005/0109346	A1 *	5/2005	Cohen	128/845
2007/0056108	A1 *	3/2007	Nikolopoulos	5/644
2008/0047069	A1 *	2/2008	Wilson et al.	5/622
2010/0299835	A1 *	12/2010	Andrews	5/620
2011/0247612	A1 *	10/2011	DeSalvo	128/200.23
2012/0073058	A1 *	3/2012	Sclare et al.	5/652
2013/0232696	A1 *	9/2013	Halimi et al.	5/640

OTHER PUBLICATIONS

Sierra Comfort, Adjustable Face Cradle for Massage Table, amazon.com, Oct. 5, 2013. <http://amzn.com/B00A8AMRHG>.*

Earthlite, Home Massage Kit, amazon.com, Sep. 20, 2011 <http://amzn.com/B004GG9ECY>.*

Athlegen, Adjustable face cradle with face pad, Nov. 13, 2013 <http://shop.athlegen.com.au/product/adjustable-face-cradle-with-face-pad-bodyworker/>.*

* cited by examiner

Primary Examiner — Eric Goodman

Assistant Examiner — Jack Reickel

(74) *Attorney, Agent, or Firm* — Sutherland Asbill & Brennan LLP

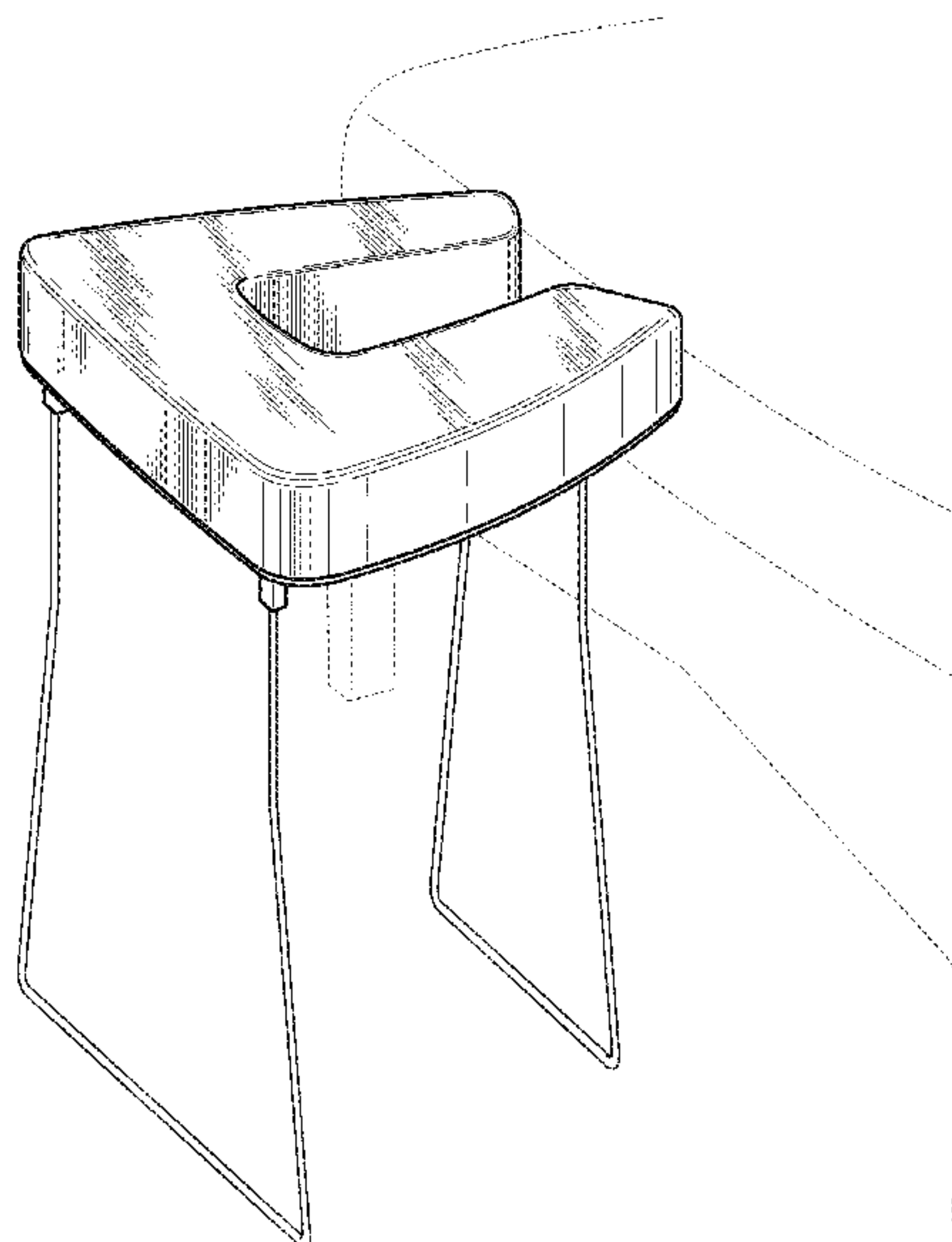
(57) **CLAIM**

The ornamental design for a portable head rest, as shown.

DESCRIPTION

FIG. 1 is a left rear perspective view of a portable head rest; FIG. 2 is a right side view of a portable head rest; FIG. 3 is a left side view of a portable head rest; FIG. 4 is a rear side view of a portable head rest; FIG. 5 is a front side view of a portable head rest; FIG. 6 is an overhead view of a portable head rest; and, FIG. 7 is a bottom view of a portable head rest.

1 Claim, 4 Drawing Sheets



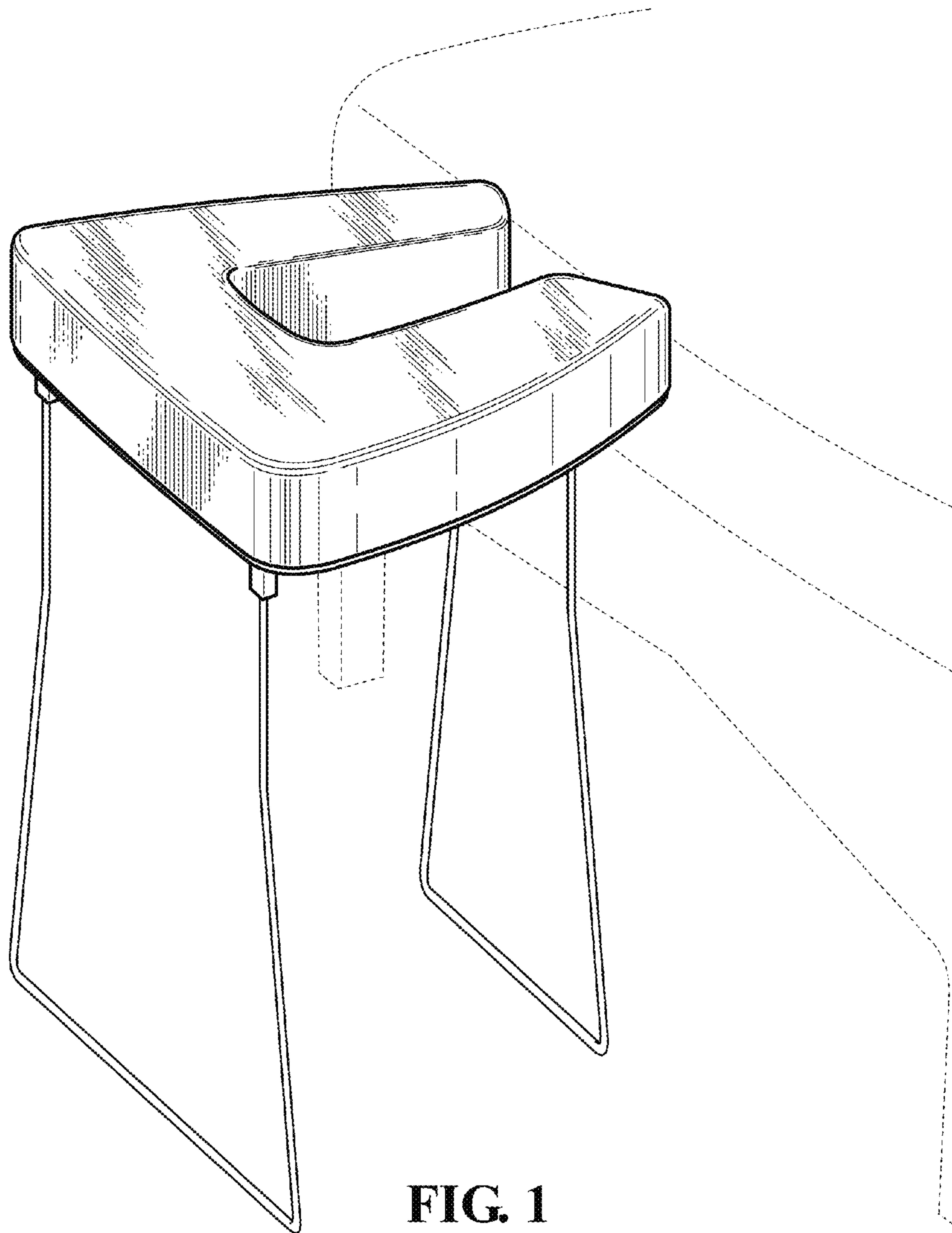


FIG. 1

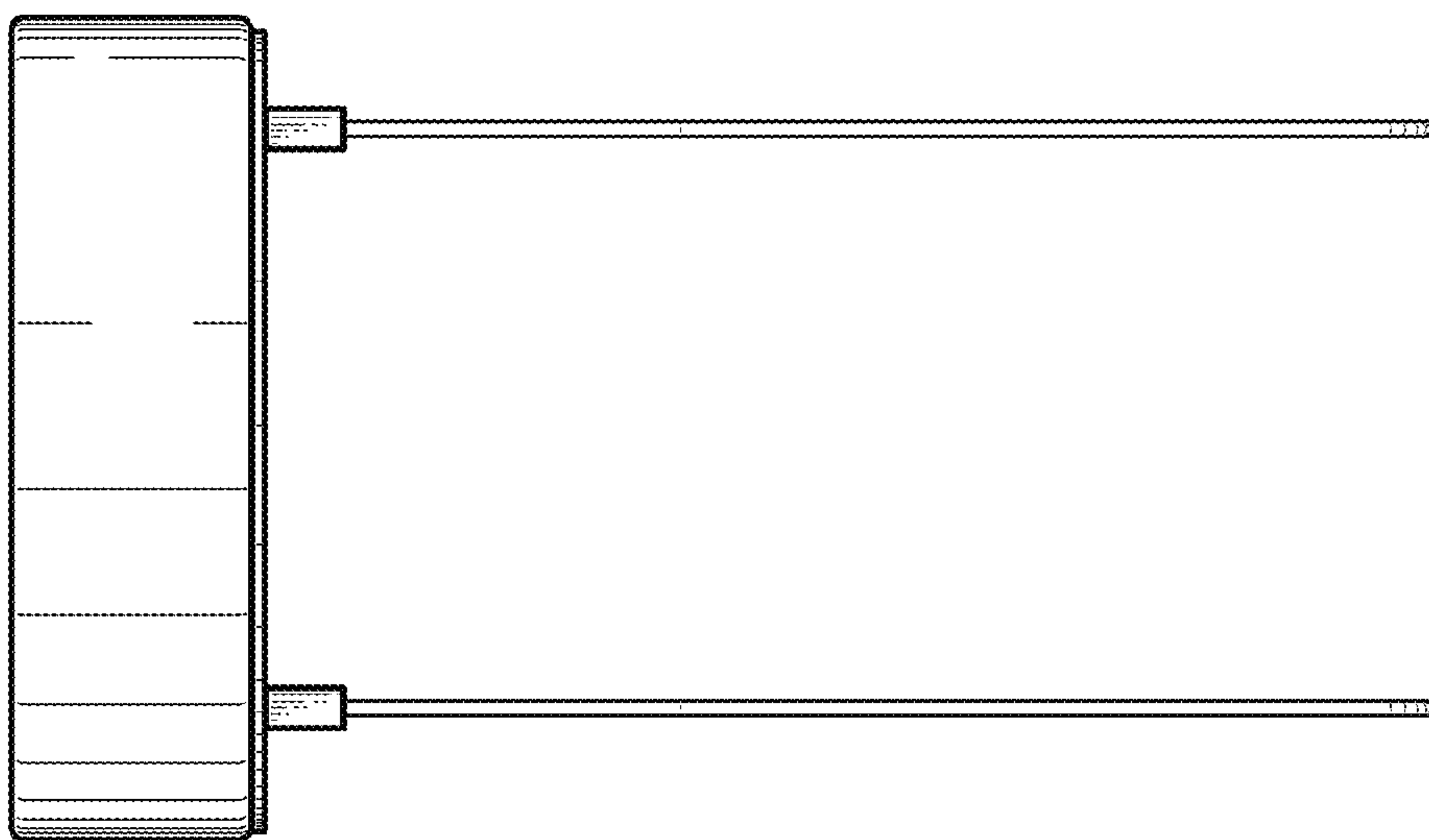


FIG. 3

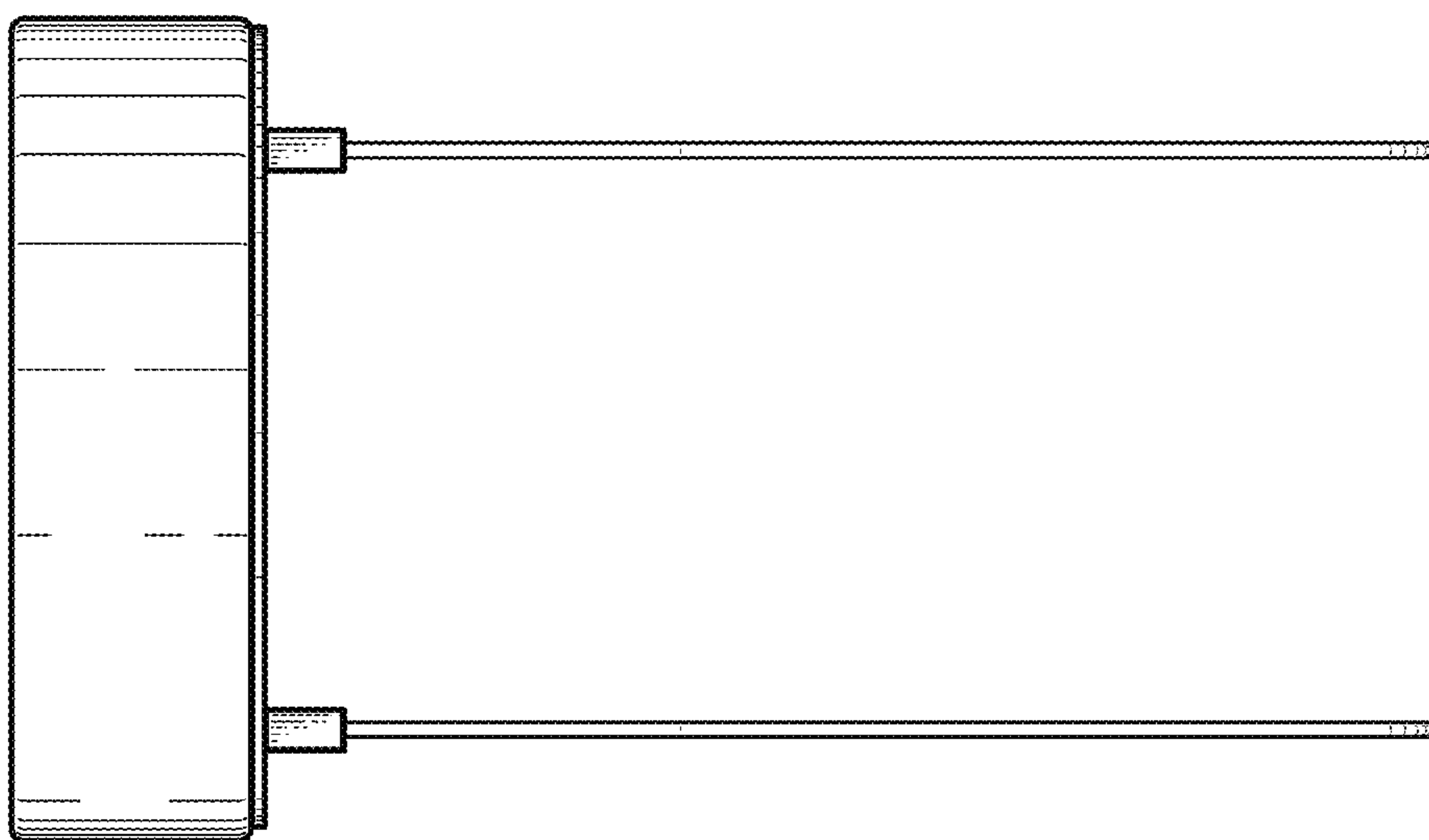


FIG. 2

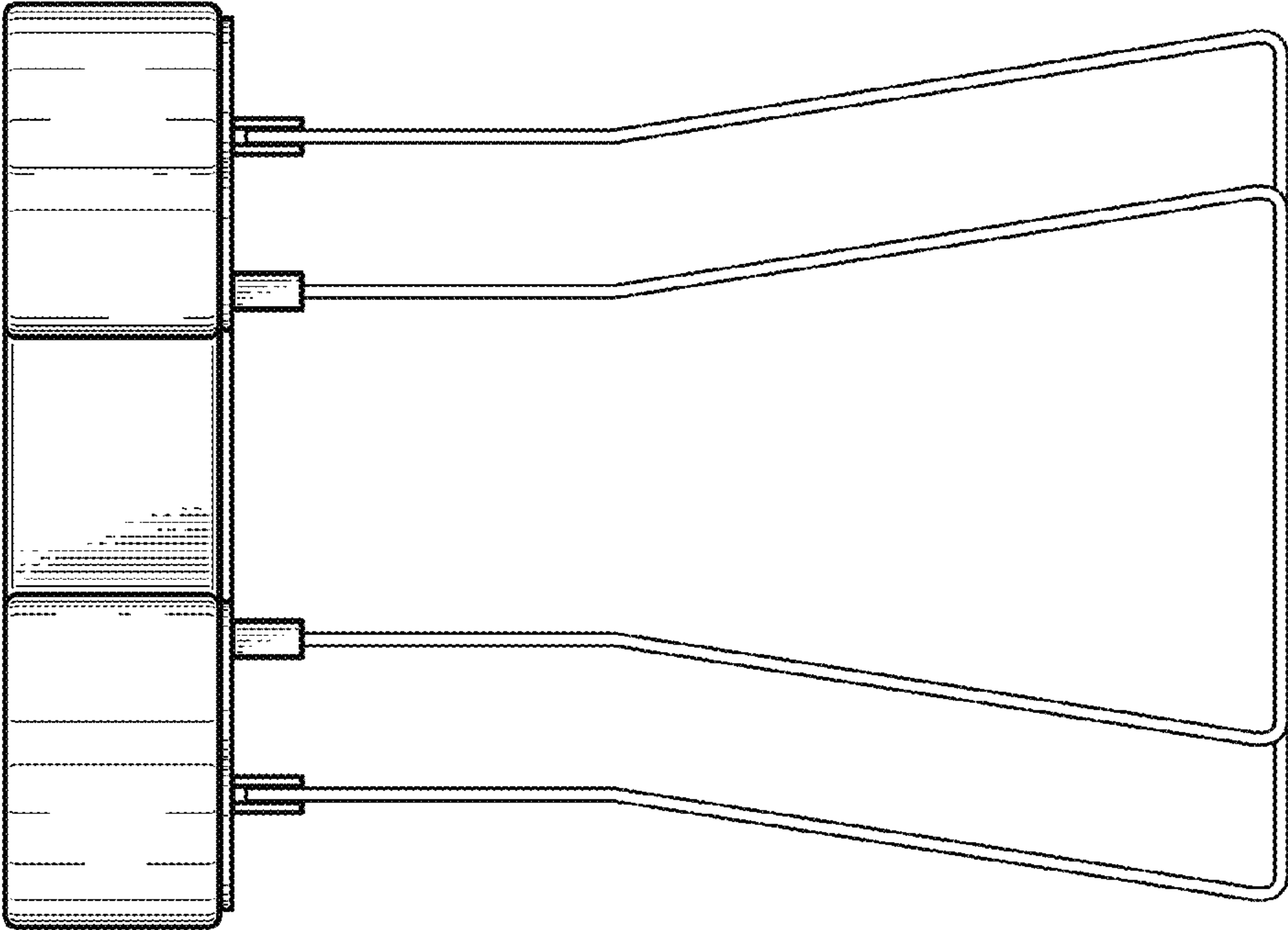


FIG. 5

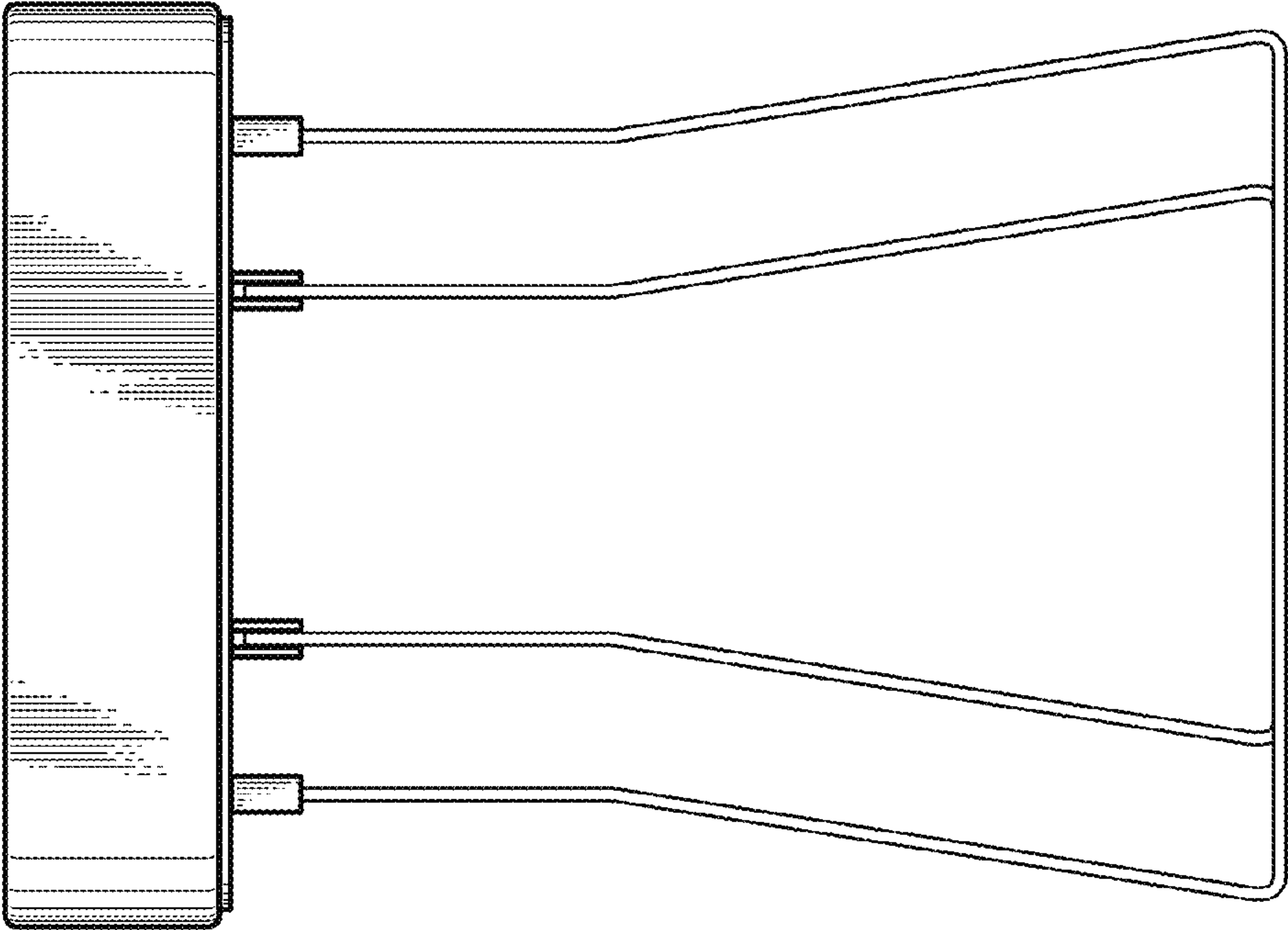


FIG. 4

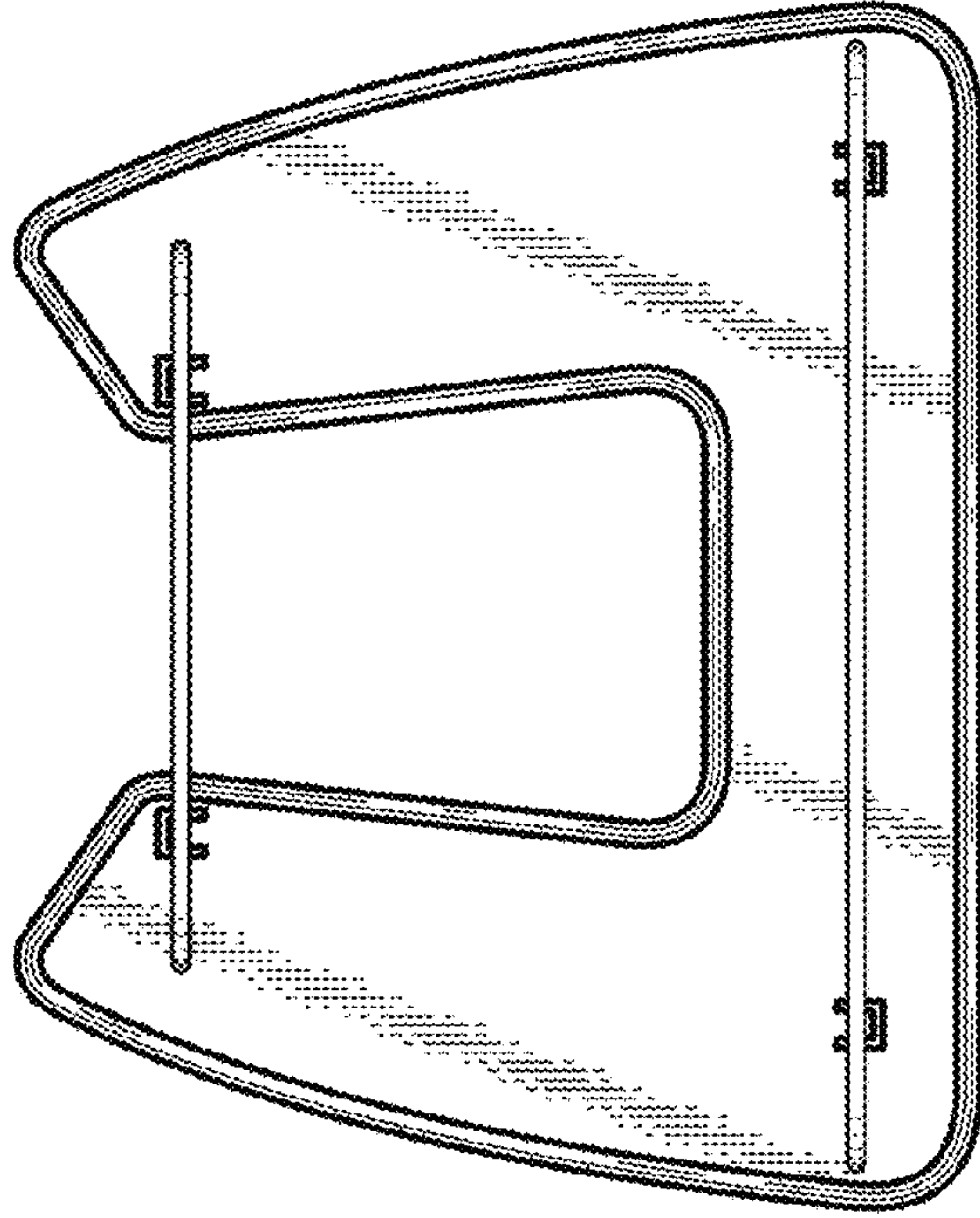


FIG. 7

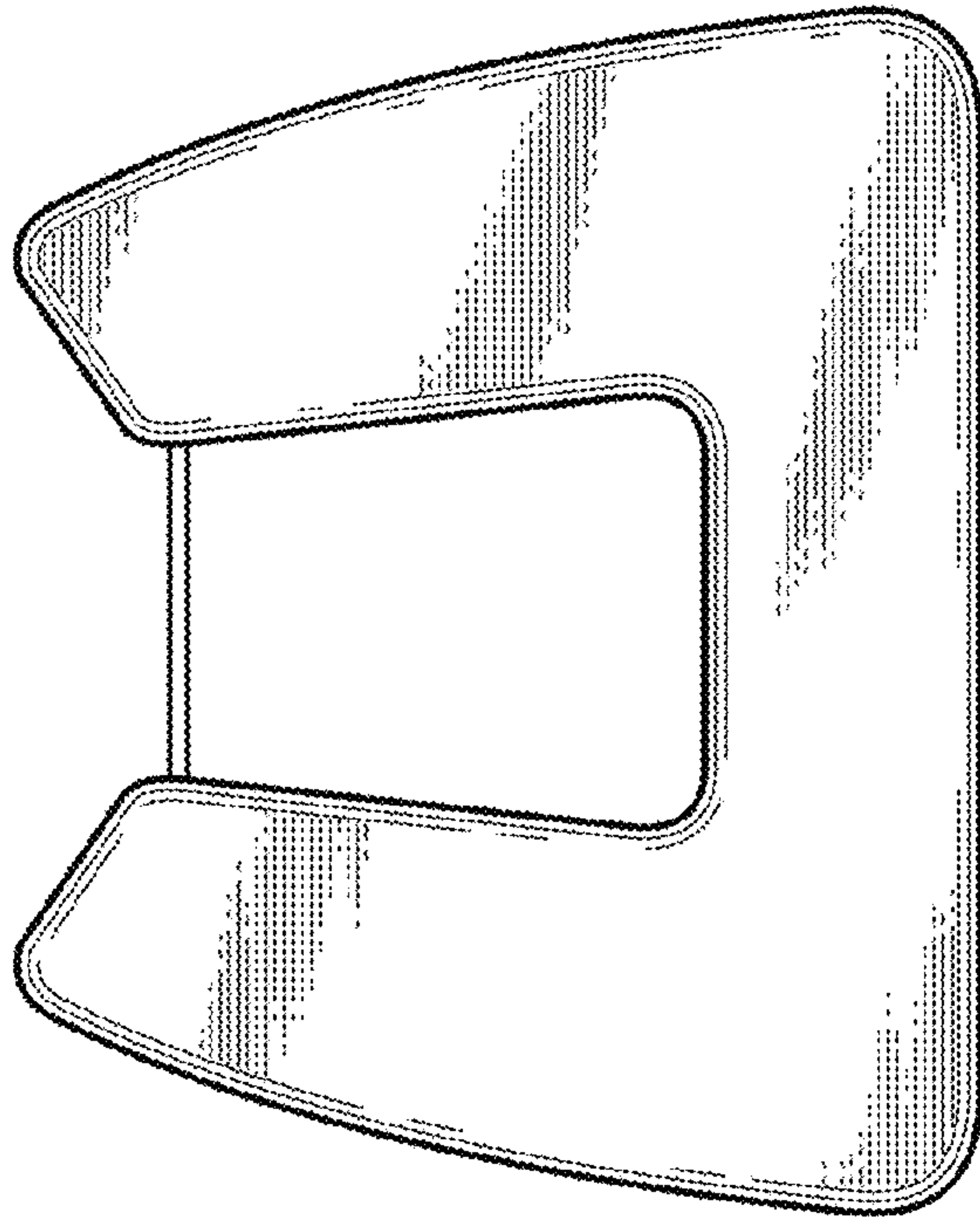


FIG. 6