



US00D705430S

(12) **United States Design Patent**
Sekine

(10) **Patent No.:** **US D705,430 S**

(45) **Date of Patent:** **** May 20, 2014**

(54) **CORNEAL TOMOGRAPHY APPARATUS**

(75) Inventor: **Naofumi Sekine**, Kawasaki (JP)

(73) Assignee: **Canon Kabushiki Kaisha**, Tokyo (JP)

(**) Term: **14 Years**

(21) Appl. No.: **29/401,021**

(22) Filed: **Sep. 6, 2011**

(30) **Foreign Application Priority Data**

Mar. 24, 2011 (JP) 2011-006663

(51) **LOC (10) Cl.** **24-01**

(52) **U.S. Cl.**
USPC **D24/172**

(58) **Field of Classification Search**
USPC D24/150, 172; 351/205, 200, 208-212,
351/216, 239, 245; 600/398-400, 402;
D10/46

See application file for complete search history.

(56) **References Cited**

U.S. PATENT DOCUMENTS

D246,188 S *	10/1977	Jordan	D24/172
D288,822 S *	3/1987	Cyujou et al.	D16/200
D293,818 S *	1/1988	Speaker	D24/172
D316,144 S *	4/1991	Nishimura	D24/172
D330,769 S *	11/1992	Blaha et al.	D24/172
D341,541 S *	11/1993	Ichiyoshi	D10/46
D348,224 S *	6/1994	Hayashi	D10/46
5,565,939 A *	10/1996	Fujieda	351/212
5,629,747 A *	5/1997	Miyake	351/218

D390,663 S *	2/1998	Wolf et al.	D24/172
D394,505 S *	5/1998	Hayashi	D24/172
D436,665 S *	1/2001	Becker	D24/172
D468,430 S *	1/2003	Hoelbl	D24/172
D483,873 S *	12/2003	Schwartz	D24/172
6,685,317 B2 *	2/2004	Su et al.	351/206
D552,736 S *	10/2007	Yamaoka	D24/172
D582,556 S *	12/2008	Yamaoka	D24/172
D589,622 S *	3/2009	Koest	D24/172
D614,774 S *	4/2010	Gausmann et al.	D24/172
2006/0268230 A1 *	11/2006	Kogawa et al.	351/206

* cited by examiner

Primary Examiner — Ian Simmons

Assistant Examiner — Carissa C Fitts

(74) *Attorney, Agent, or Firm* — Fitzpatrick, Cella, Harper & Scinto

(57) **CLAIM**

The ornamental design for a corneal tomography apparatus, as shown and described.

DESCRIPTION

FIG. 1 is a front view of a corneal tomography apparatus showing my new design;

FIG. 2 is a rear view thereof;

FIG. 3 is a top plan view thereof;

FIG. 4 is a bottom plan view thereof;

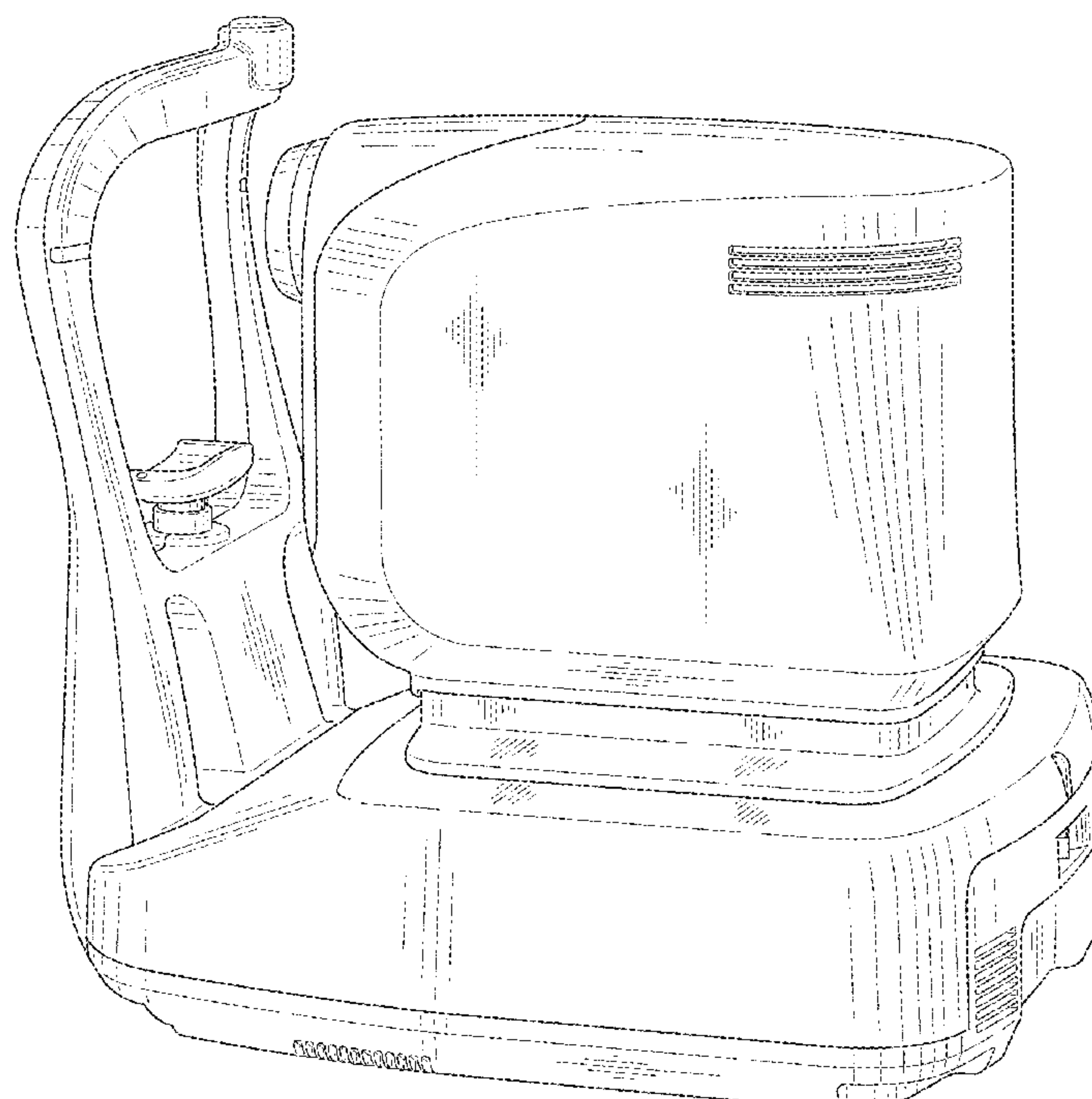
FIG. 5 is a left side view thereof;

FIG. 6 is a right side view thereof; and,

FIG. 7 is a perspective view thereof.

The broken lines shown in the drawings illustrate portions of the corneal tomography apparatus that form no part of the claimed design.

1 Claim, 7 Drawing Sheets



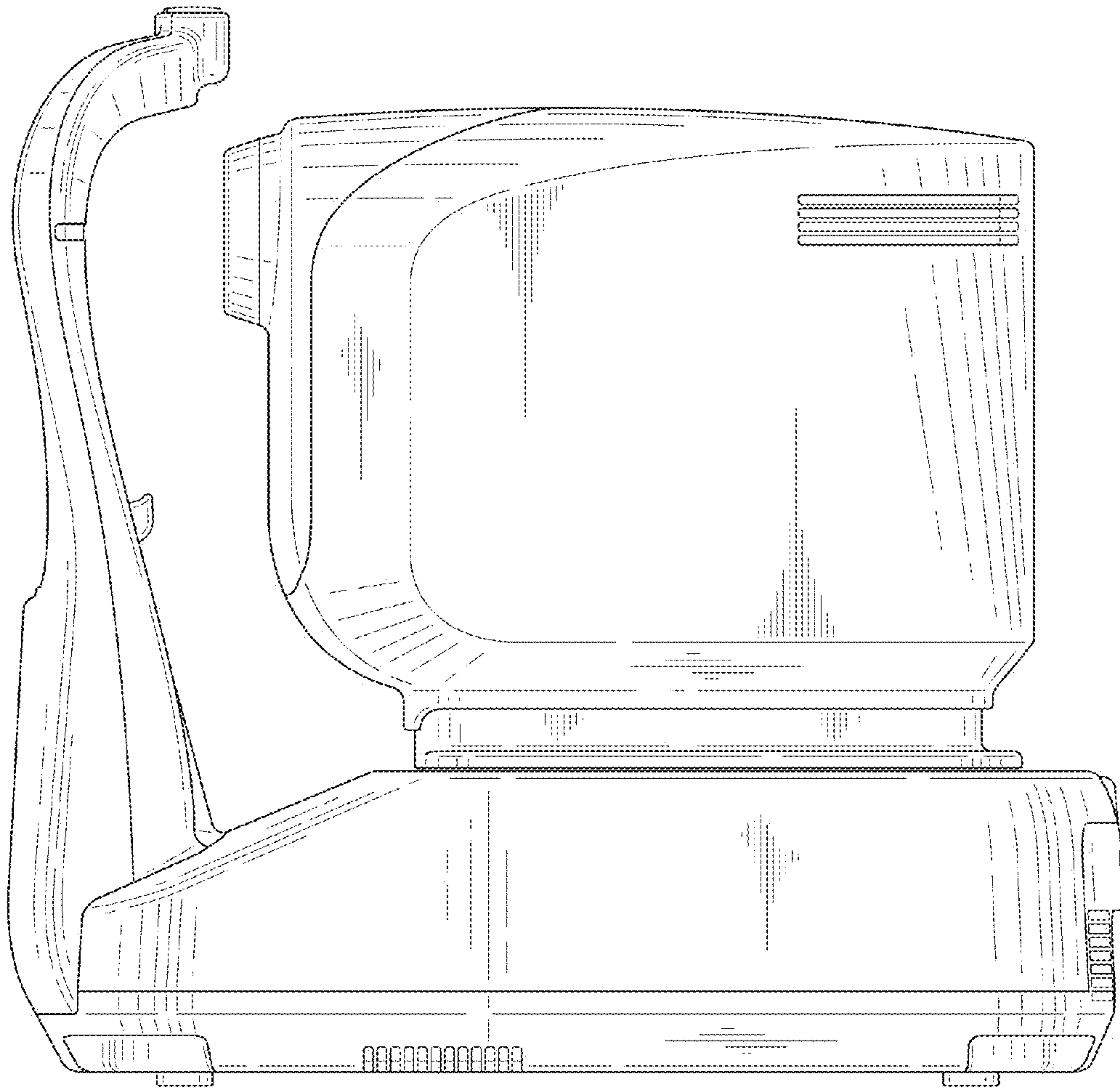


FIG. 1

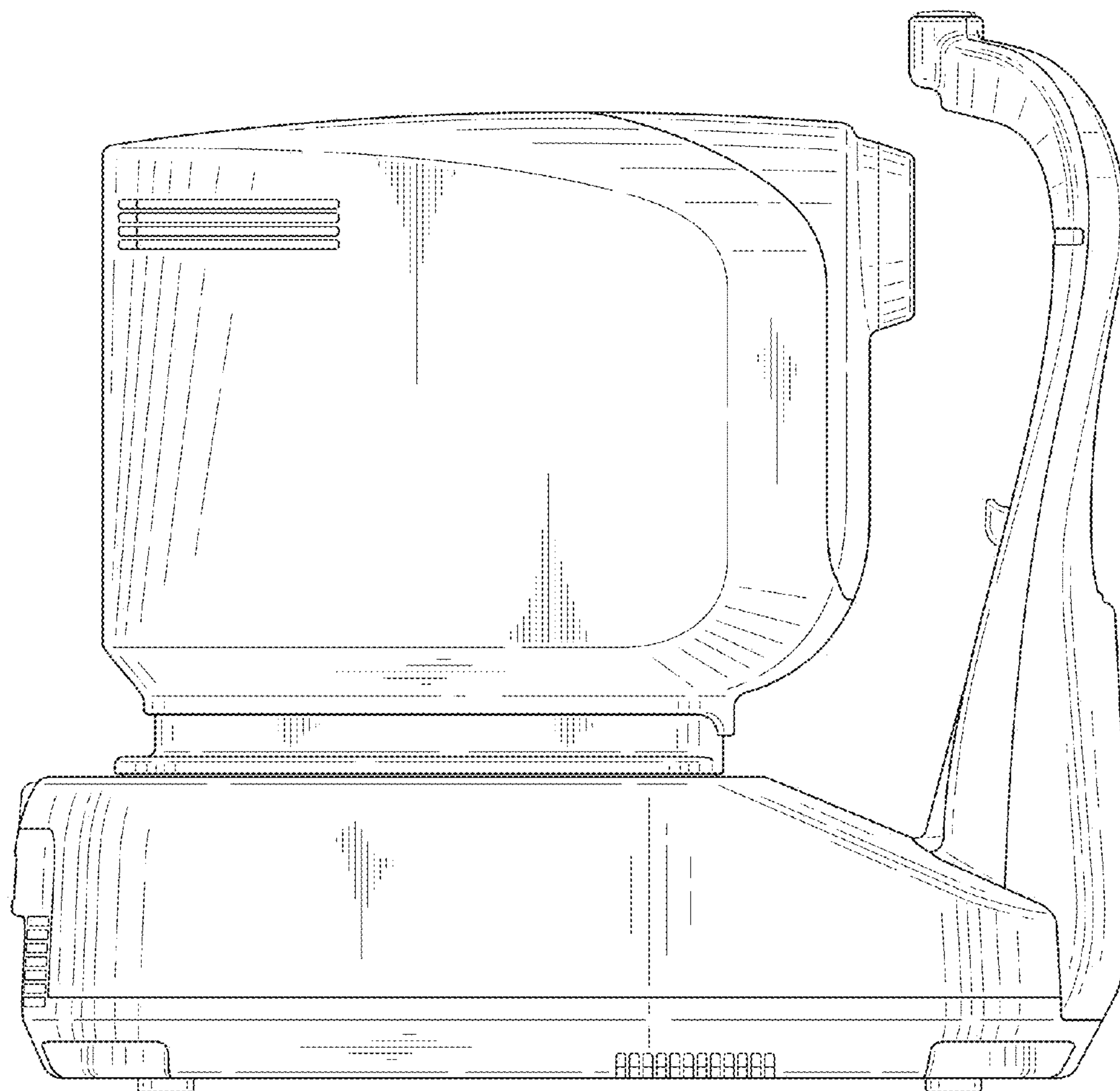


FIG. 2

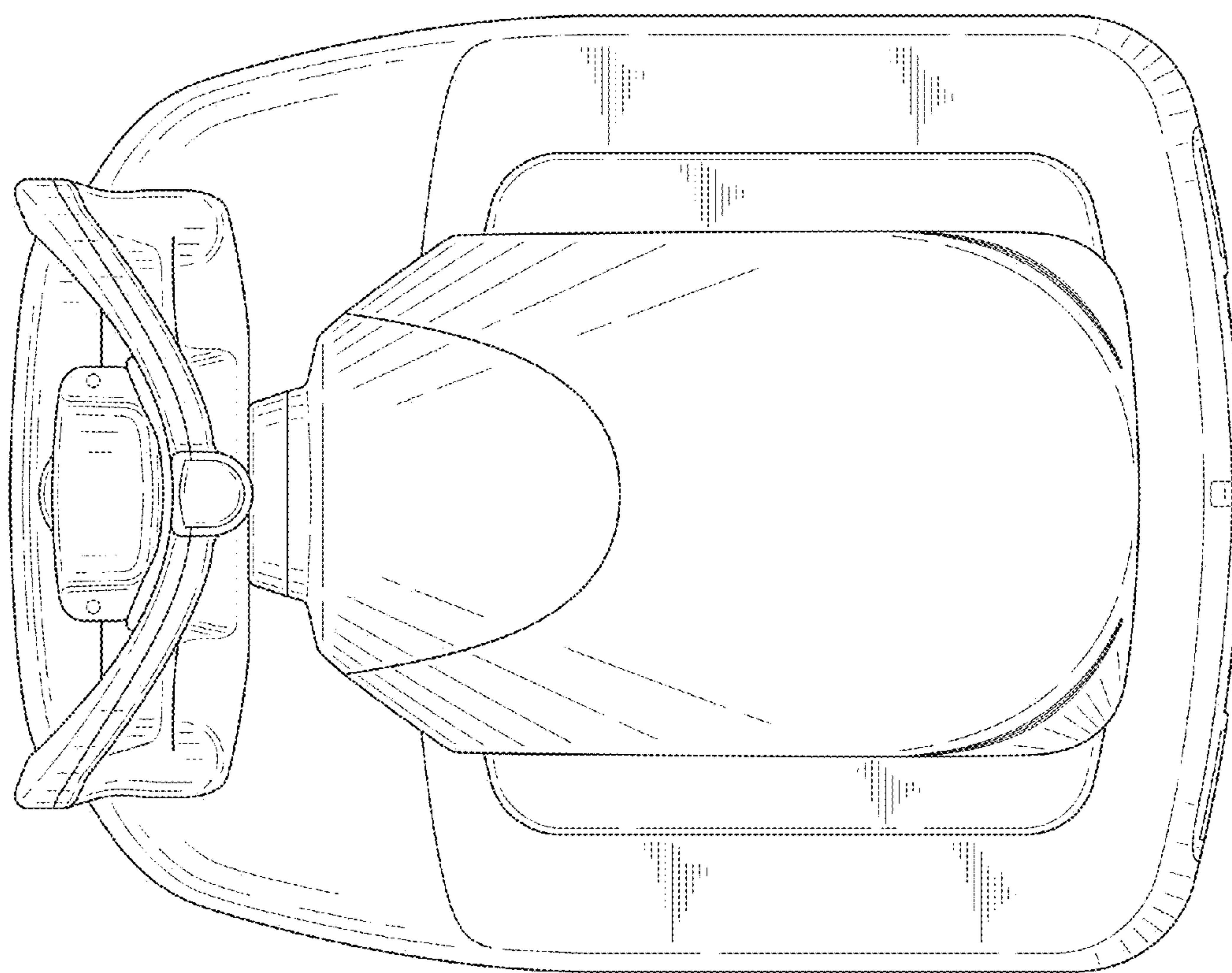


FIG. 3

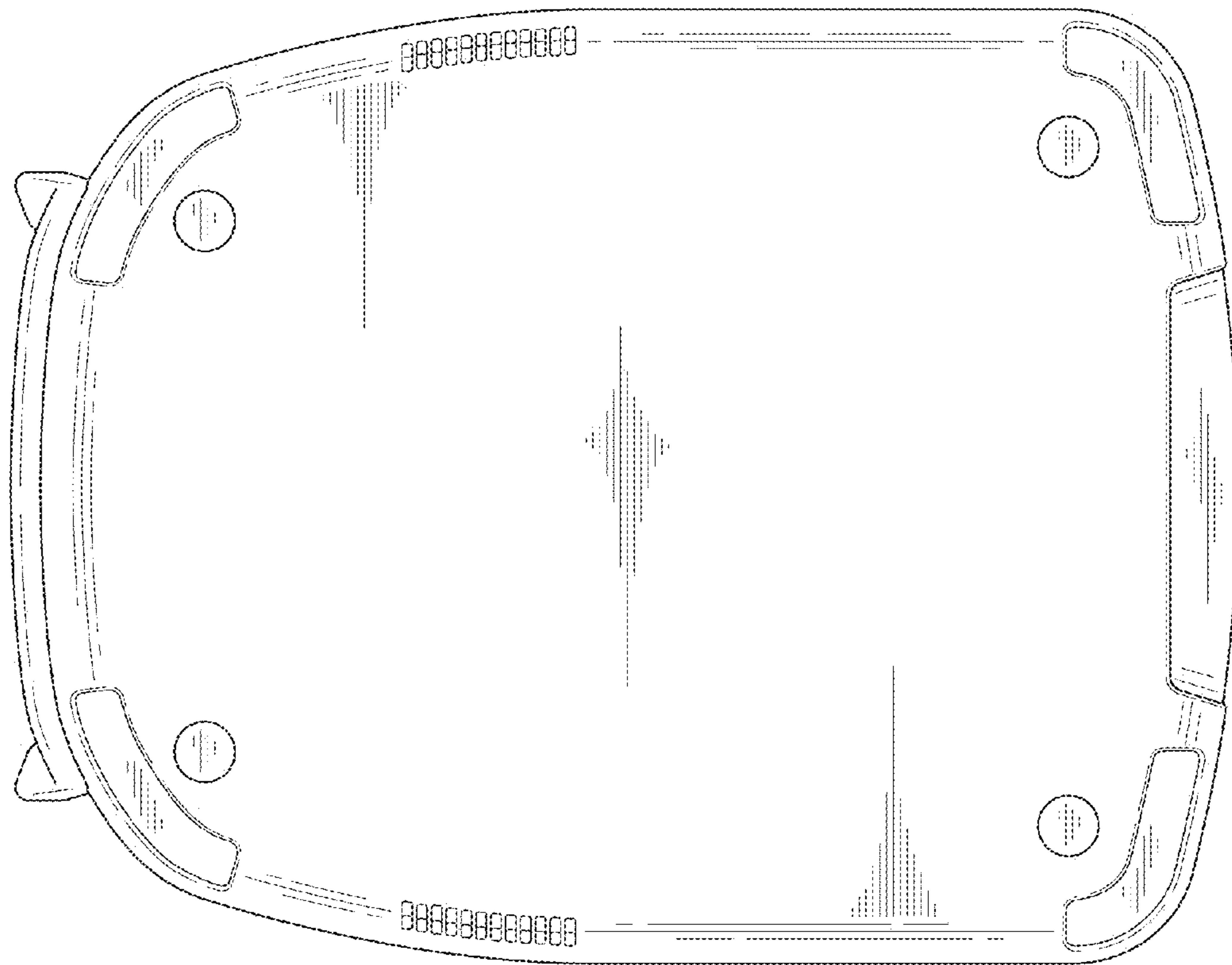


FIG. 4

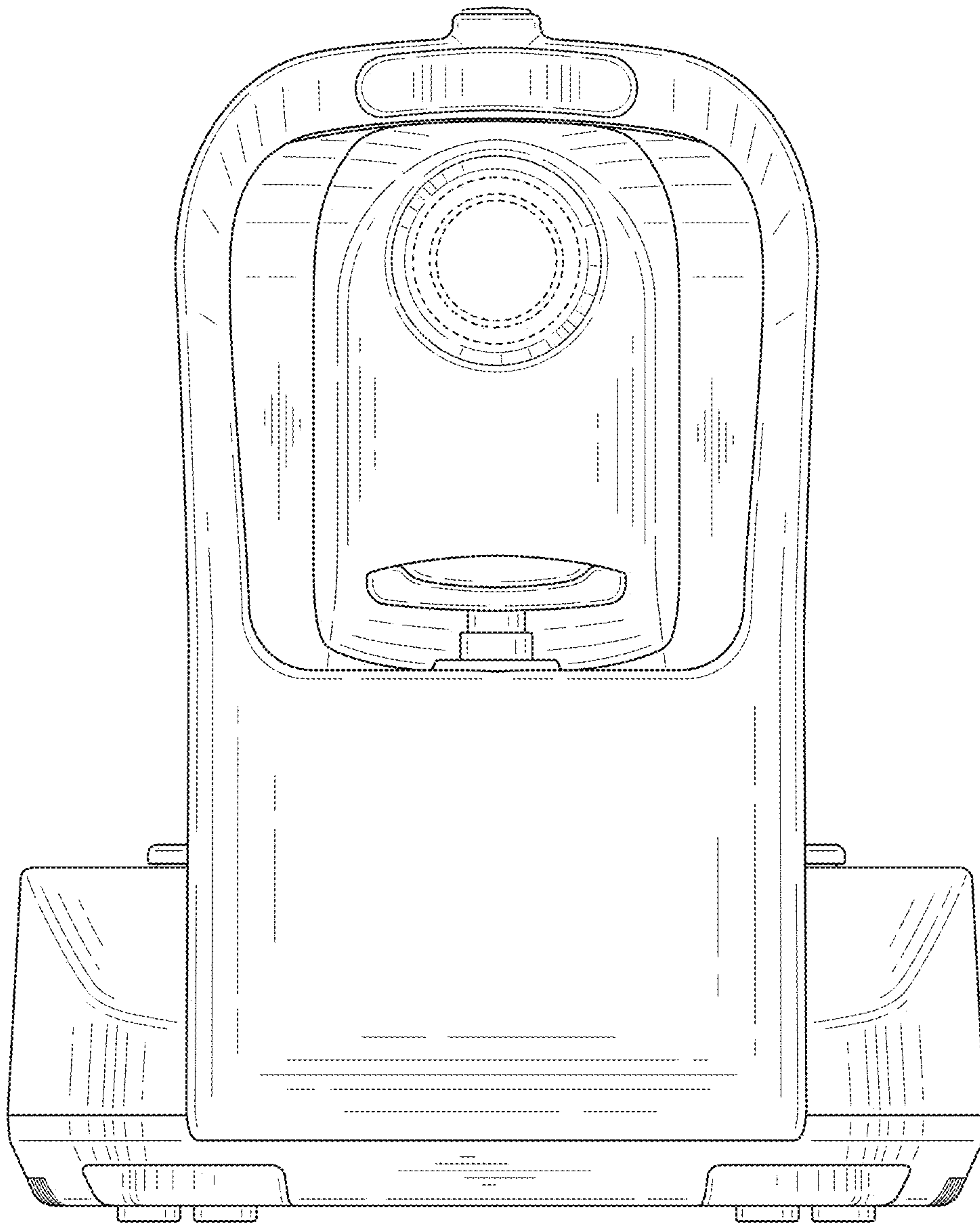


FIG. 5

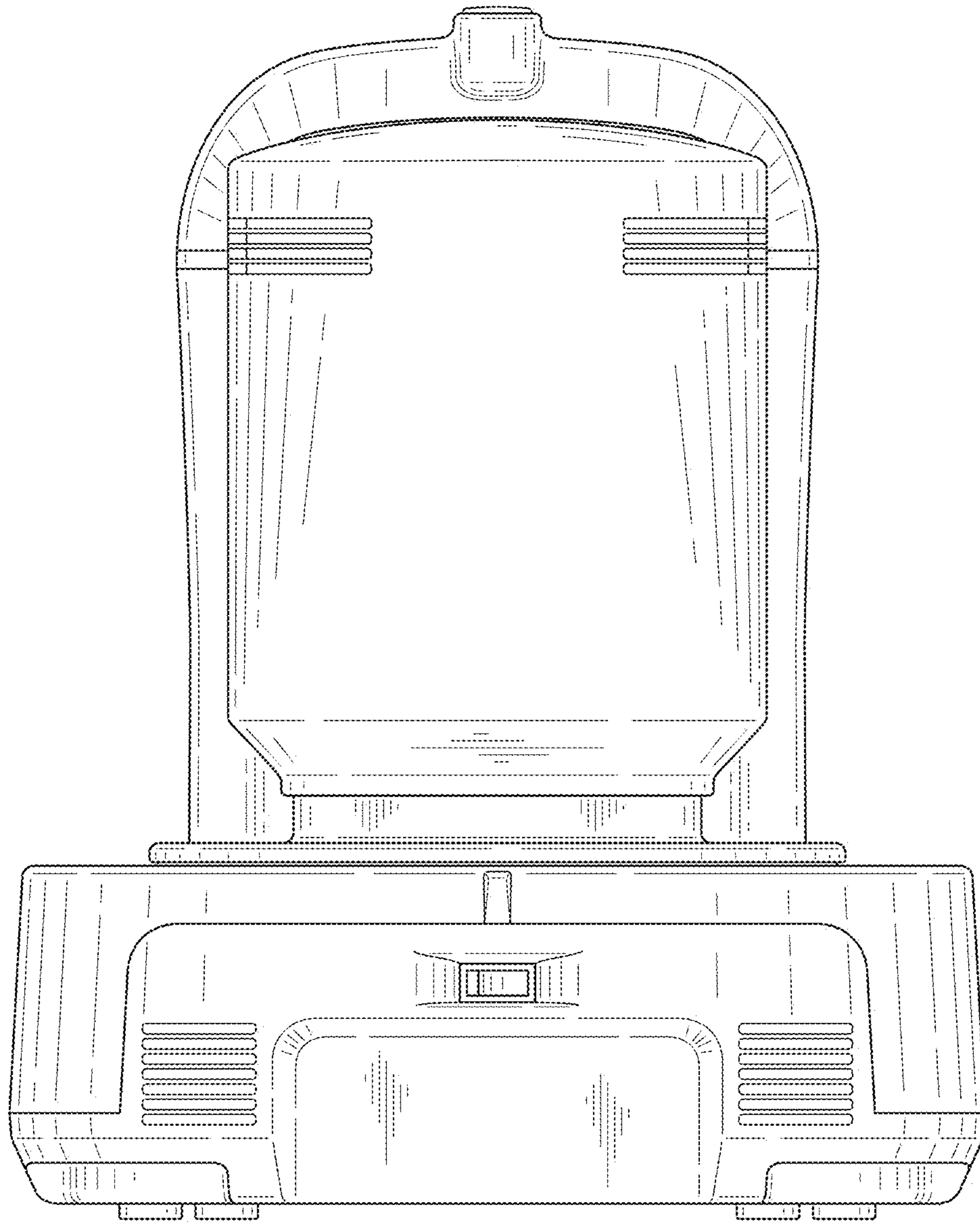


FIG. 6

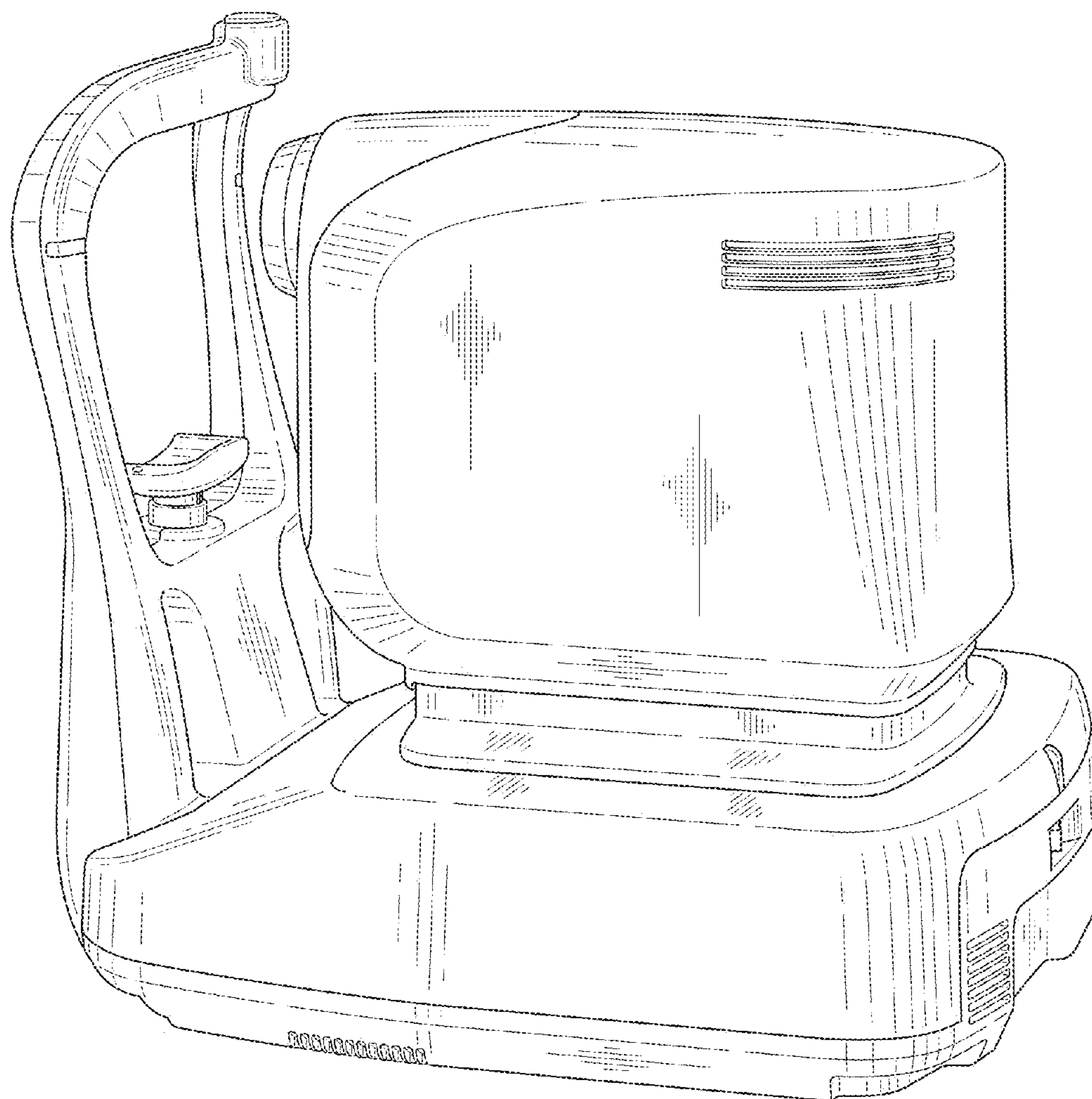


FIG. 7