



US00D705425S

(12) **United States Design Patent**
Boone, III et al.

(10) **Patent No.:** **US D705,425 S**

(45) **Date of Patent:** **** May 20, 2014**

(54) **MICRODERMABRASION TREATMENT TIP**

(75) Inventors: **N. Brendon Boone, III**, Encino, CA (US); **Basil M. Hantash**, East Palo Alto, CA (US); **Kenneth B. Karasiuk**, Oak Park, CA (US); **Steven E. Wojcik**, Mukilteo, WA (US)

(73) Assignee: **Envy Medical, Inc.**, Westlake Village, CA (US)

(**) Term: **14 Years**

(21) Appl. No.: **29/405,359**

(22) Filed: **Nov. 1, 2011**

D384,157 S *	9/1997	Kusnets et al.	D24/211
D427,319 S *	6/2000	Chen	D24/211
D438,978 S	3/2001	Conwell		
D440,415 S *	4/2001	Bellini	D6/349
D447,809 S *	9/2001	Gladieux et al.	D24/211
D468,435 S	1/2003	Qi et al.		
D488,231 S *	4/2004	Sorlie	D24/214
7,153,311 B2	12/2006	Chung		
D583,480 S	12/2008	Ferber et al.		
D585,994 S	2/2009	Mulhauser et al.		
D587,380 S	2/2009	Nan		
D604,895 S	11/2009	Park		
D616,094 S	5/2010	Boone et al.		
D627,897 S	11/2010	Yde et al.		
D630,323 S	1/2011	Munasar		
8,048,089 B2 *	11/2011	Ignon et al.	606/131
2007/0005078 A1	1/2007	Hart et al.		

* cited by examiner

Related U.S. Application Data

(62) Division of application No. 29/304,428, filed on Feb. 29, 2008, now Pat. No. Des. 648,025.

(51) **LOC (10) Cl.** **24-02**

(52) **U.S. Cl.**
USPC **D24/147**

(58) **Field of Classification Search**
USPC D24/133, 146-147, 200, 214-215;
606/127, 131-132, 167; 604/289, 313;
451/75, 87, 90, 91, 102; D6/352
See application file for complete search history.

(56) **References Cited**

U.S. PATENT DOCUMENTS

D190,896 S *	7/1961	Gerson	D24/211
3,934,590 A	1/1976	Campagna et al.		
D346,703 S	5/1994	Grosfillex		
D357,322 S *	4/1995	Matthews	D24/211
D371,463 S	7/1996	Cohan et al.		
D375,166 S	10/1996	Goulding-Thompson et al.		

Primary Examiner — Ian Simmons

Assistant Examiner — Carissa C Fitts

(74) *Attorney, Agent, or Firm* — Aka Chan LLP

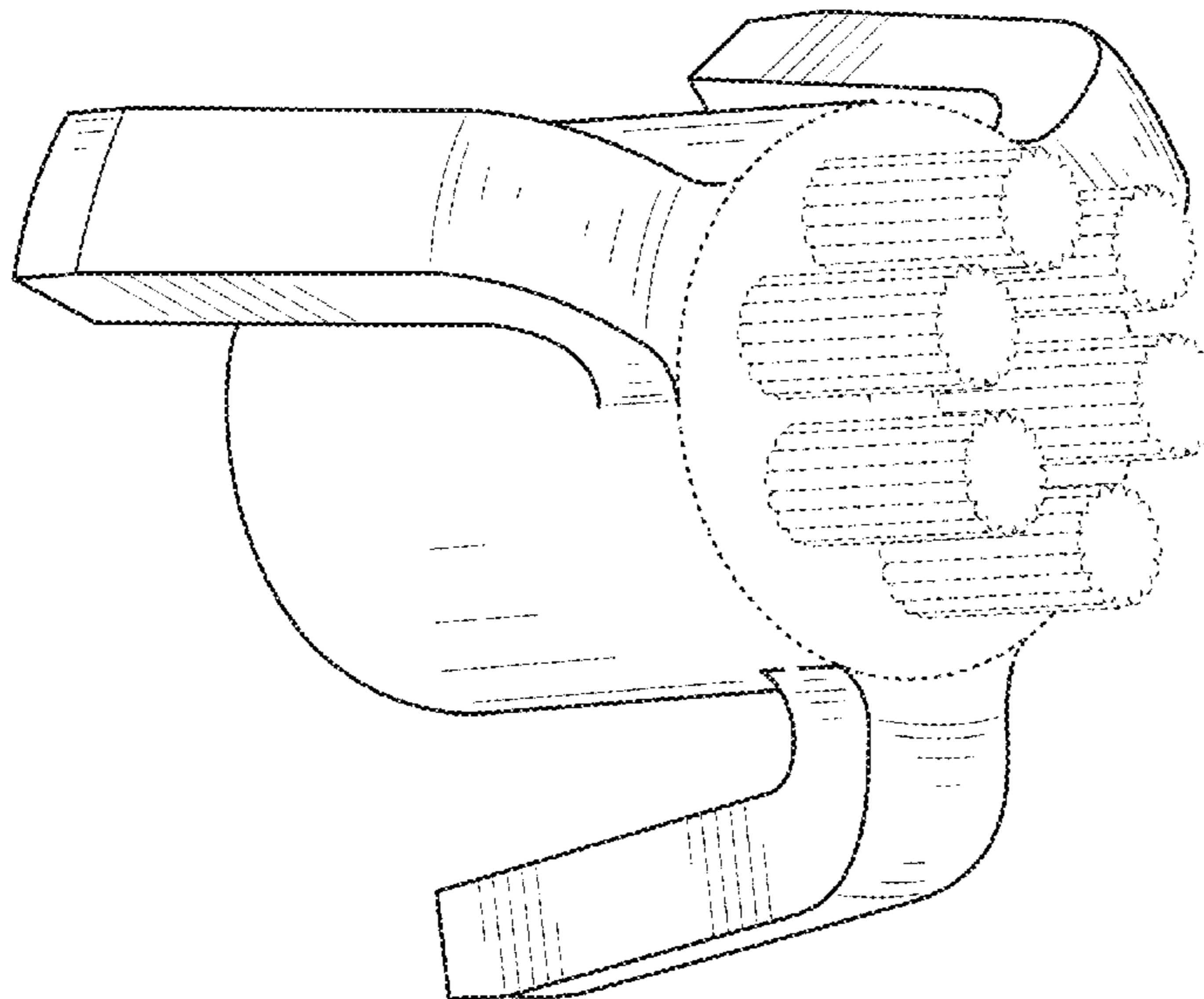
(57) **CLAIM**

The ornamental design for a microdermabrasion treatment tip, as shown and described.

DESCRIPTION

FIG. 1 shows a front perspective view of a design for a microdermabrasion treatment tip.
FIG. 2 shows a side view of the design.
FIG. 3 shows another side view of the design, rotated 60 degrees relative to the side view in FIG. 2.
FIG. 4 shows a front view of the design.
FIG. 5 shows a back view of the design; and,
FIG. 6 shows a back perspective view of the design.
The broken-line features in the figures are for illustrative purposes only and form no part of the claimed design.

1 Claim, 6 Drawing Sheets



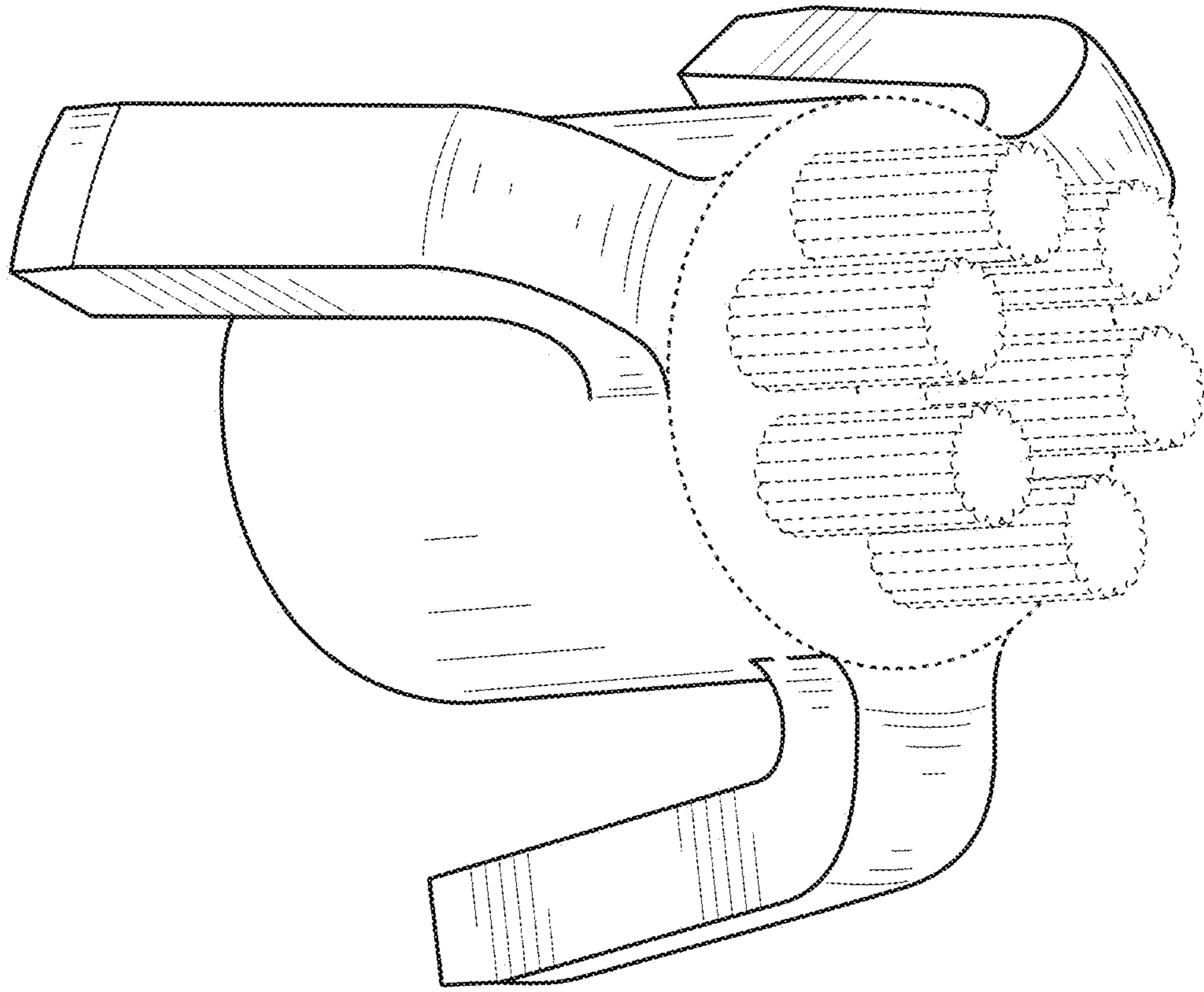


FIG. 1

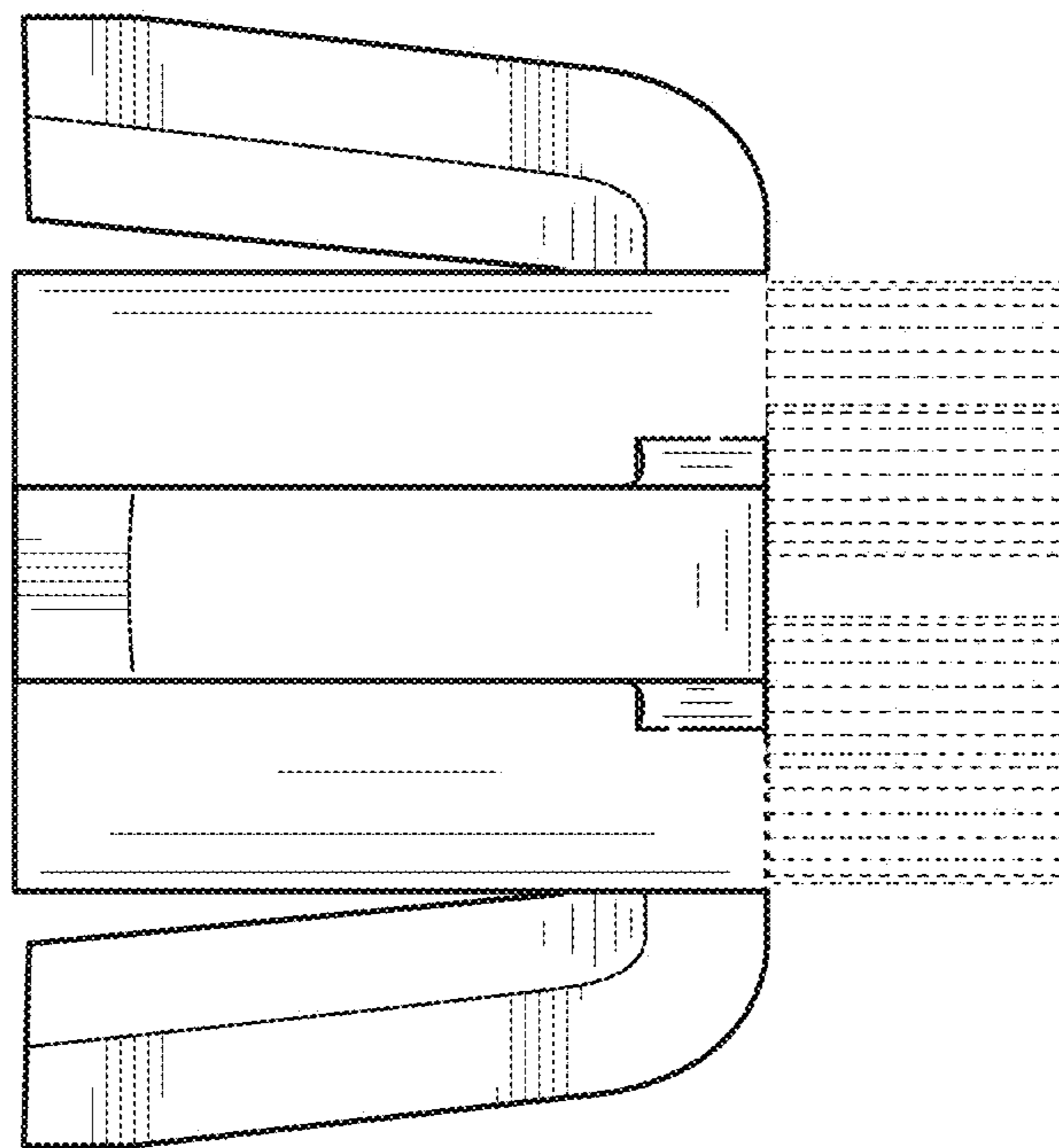


FIG. 2

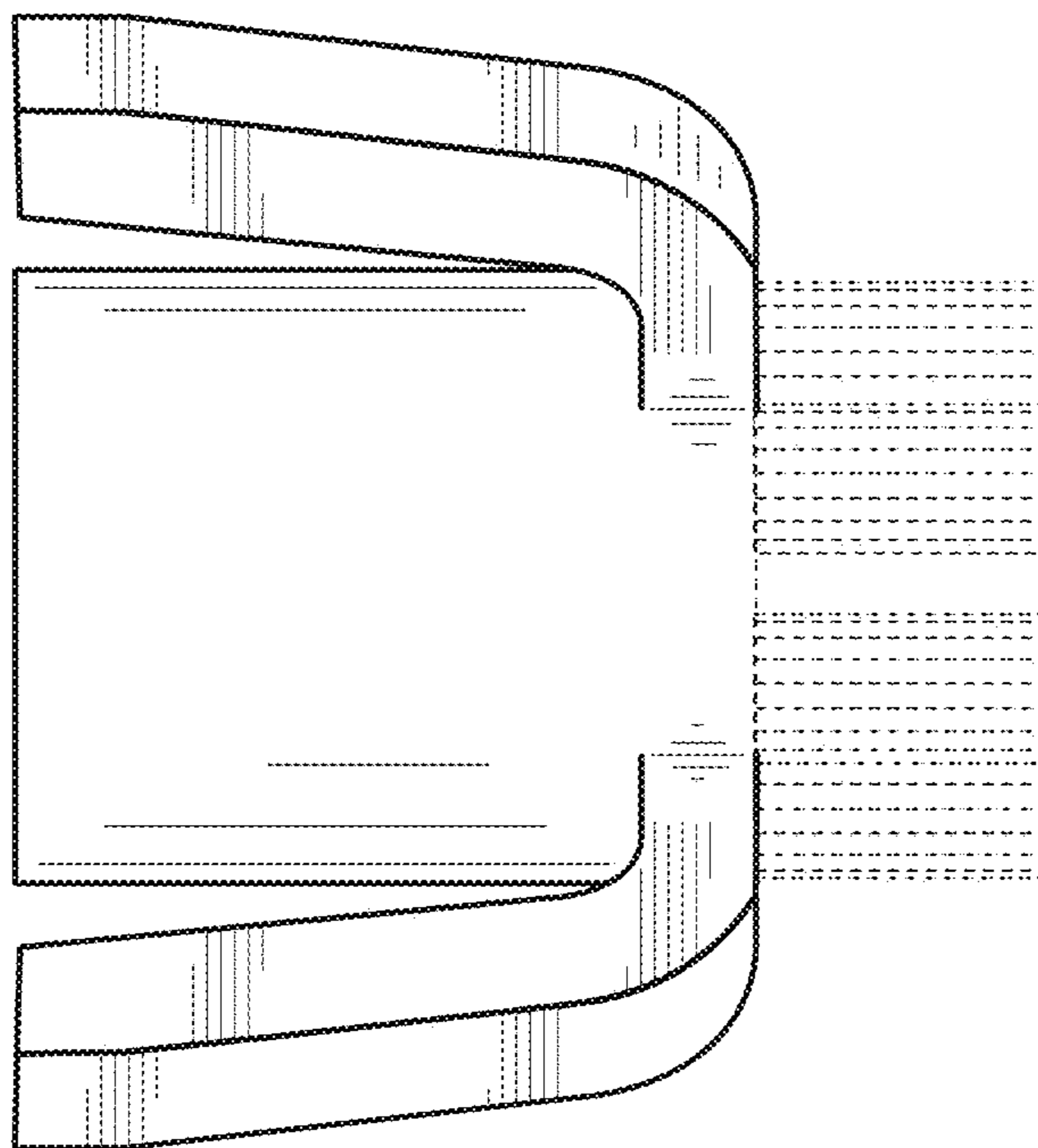


FIG. 3

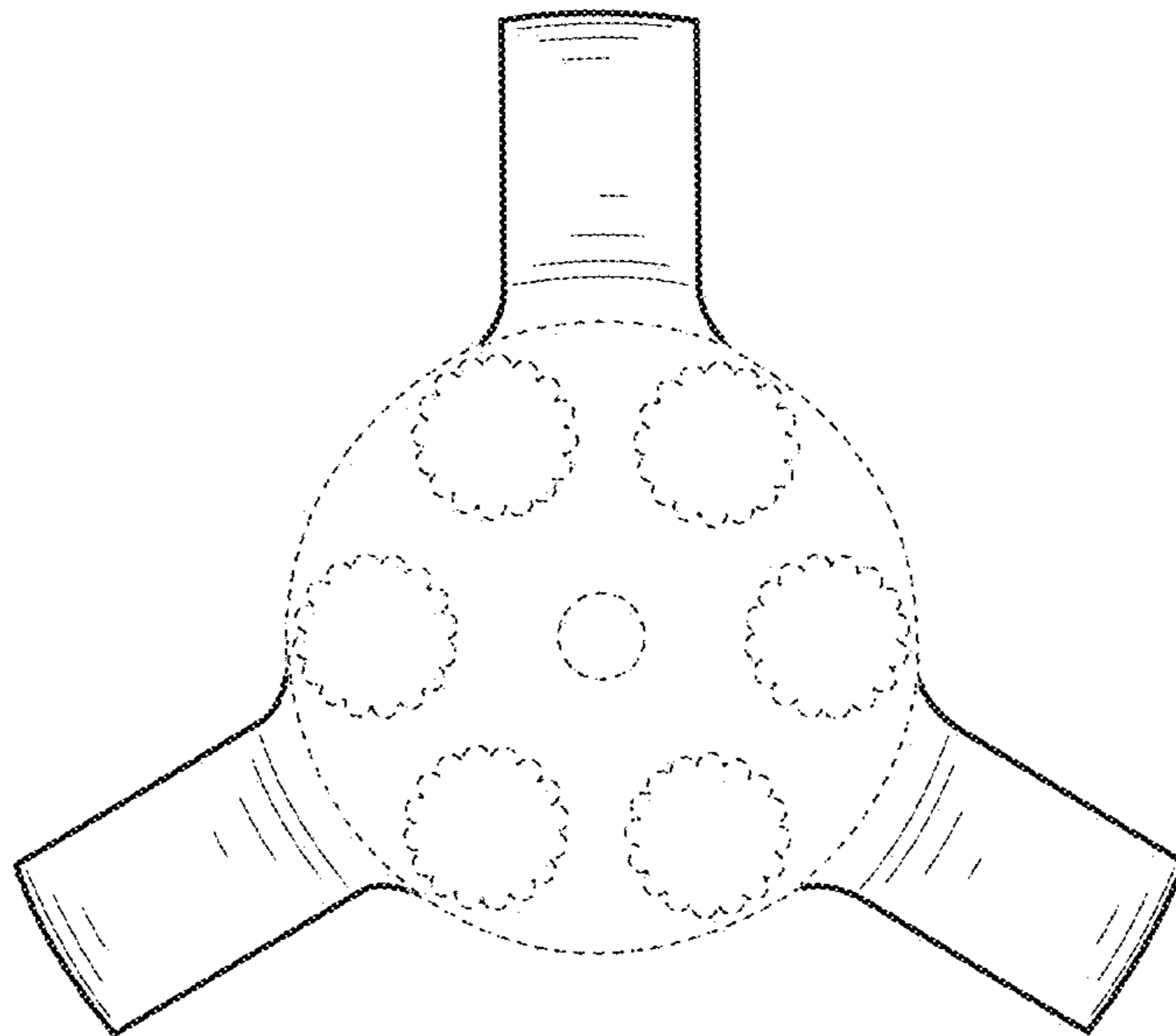


FIG. 4

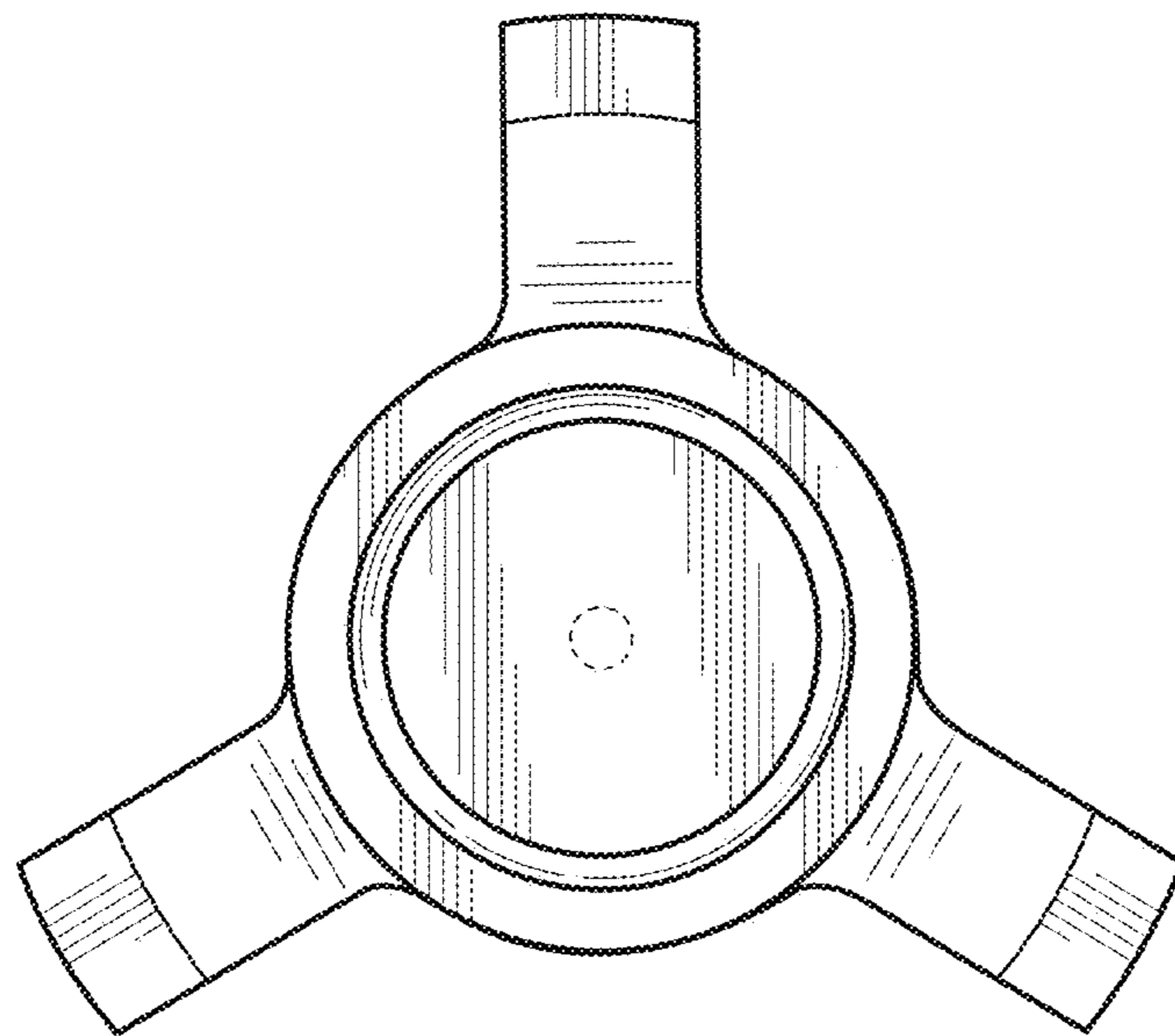


FIG. 5

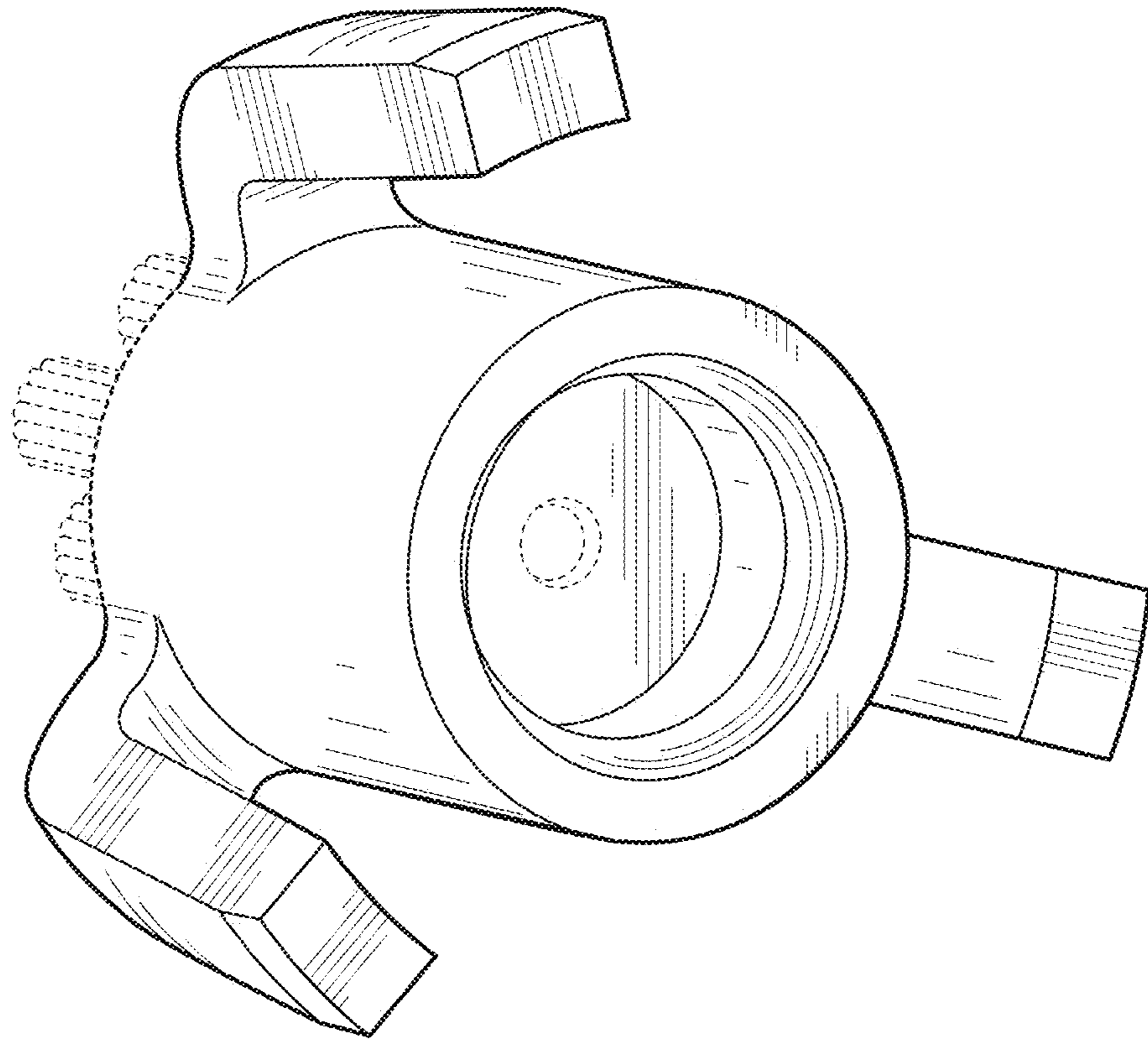


FIG. 6