



US00D705424S

(12) **United States Design Patent**
Yarbrough

(10) **Patent No.:** **US D705,424 S**

(45) **Date of Patent:** **** May 20, 2014**

(54) **MAIN CONSOLE**

(75) **Inventor:** **Paul Yarbrough**, Stanton, TN (US)

(73) **Assignee:** **Gyrus Acmi, Inc.**, Southborough, MA (US)

(**) **Term:** **14 Years**

(21) **Appl. No.:** **29/430,646**

(22) **Filed:** **Aug. 28, 2012**

(51) **LOC (10) Cl.** **24-02**

(52) **U.S. Cl.**
USPC **D24/144; D24/185**

(58) **Field of Classification Search**
USPC D24/107, 144, 170, 232, 185-186;
D10/103; 606/1, 32, 38, 34-35, 41,
606/46-50

See application file for complete search history.

(56) **References Cited**

U.S. PATENT DOCUMENTS

D311,062	S	*	10/1990	Nelson	D24/186
5,249,121	A	*	9/1993	Baum et al.	606/1
D359,353	S	*	6/1995	Butter	D24/144
D380,550	S	*	7/1997	Dennewill et al.	D24/185
D396,108	S	*	7/1998	Garito et al.	D24/144

D626,224	S	*	10/2010	Amano et al.	D24/144
D670,386	S	*	11/2012	Yanagawa	D24/144
2005/0004559	A1	*	1/2005	Quick et al.	606/1
2008/0215046	A1	*	9/2008	Messing et al.	606/41

* cited by examiner

Primary Examiner — Wan Laymon

(74) *Attorney, Agent, or Firm* — Bonnie R. Shaw; Eric Kurtycz

(57) **CLAIM**

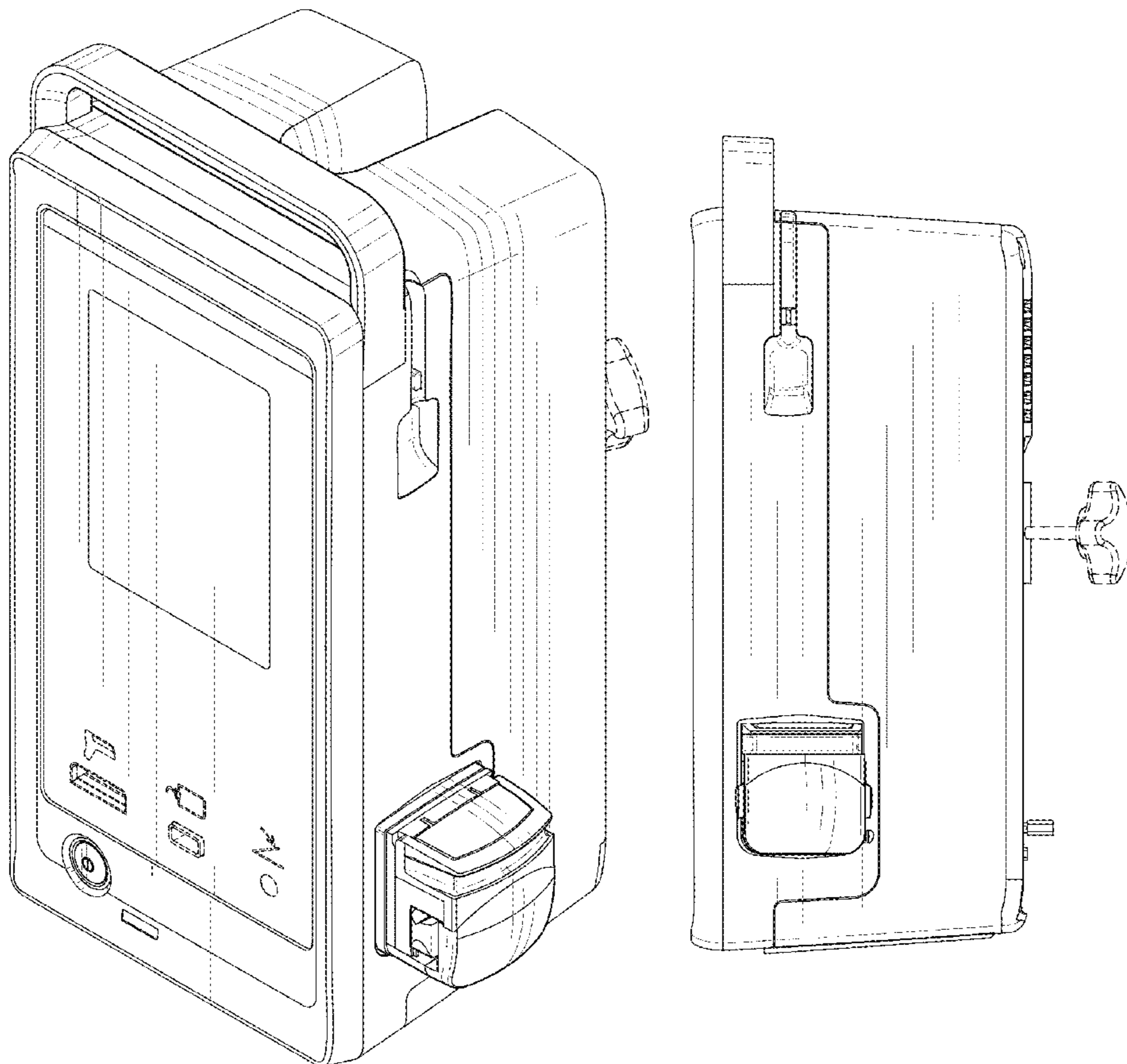
The ornamental design for a main console, as shown and described.

DESCRIPTION

FIG. 1 is a front and side perspective view of the main console, showing my new design;
FIG. 2 is a front view thereof;
FIG. 3 is a rear view thereof;
FIG. 4 is a top view thereof;
FIG. 5 is a bottom view thereof;
FIG. 6 is a left side view thereof; and,
FIG. 7 is a right side view thereof.

The broken lines are included for the purpose of illustrating environmental structure and form no part of the claimed design.

1 Claim, 4 Drawing Sheets



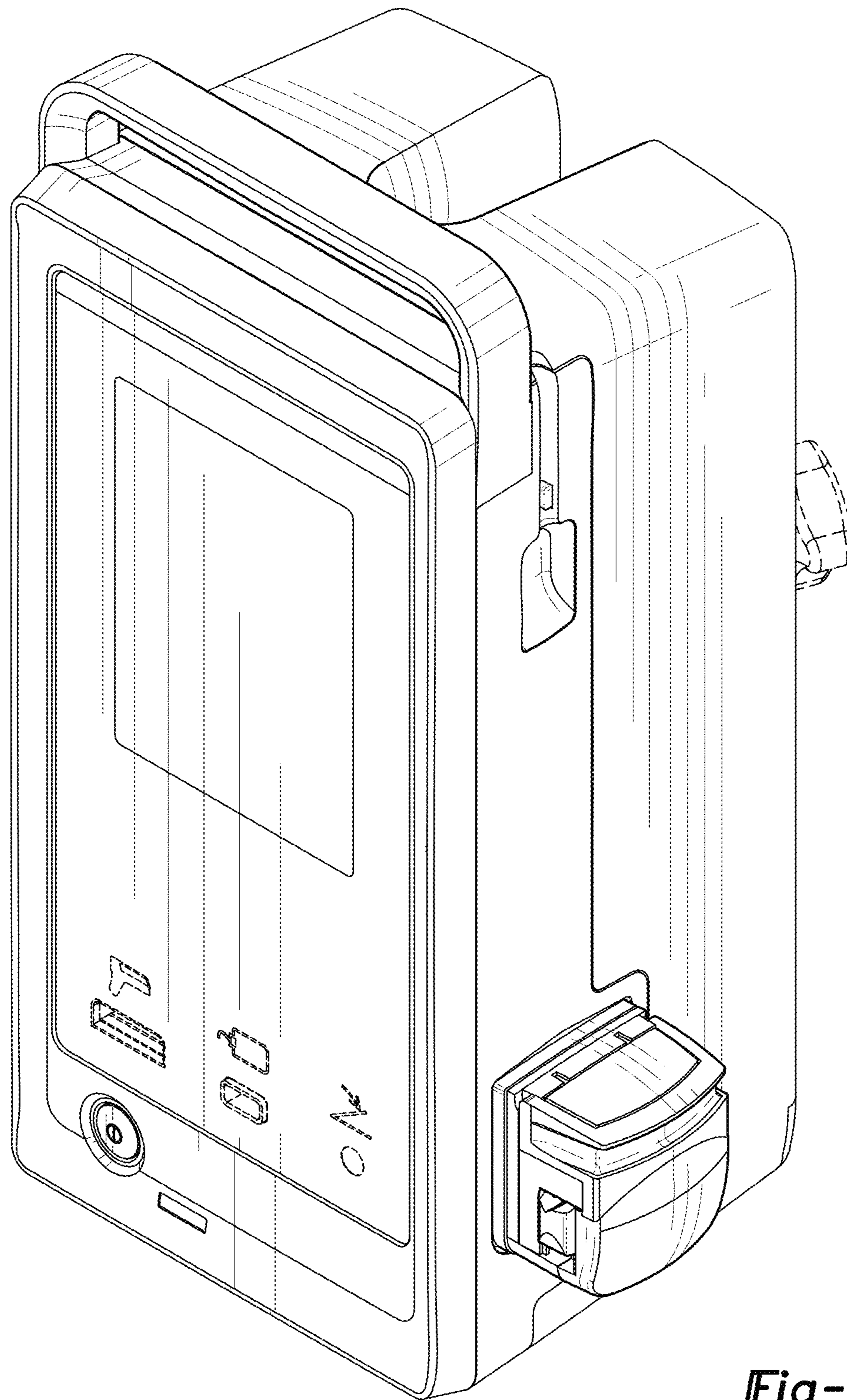


Fig-1

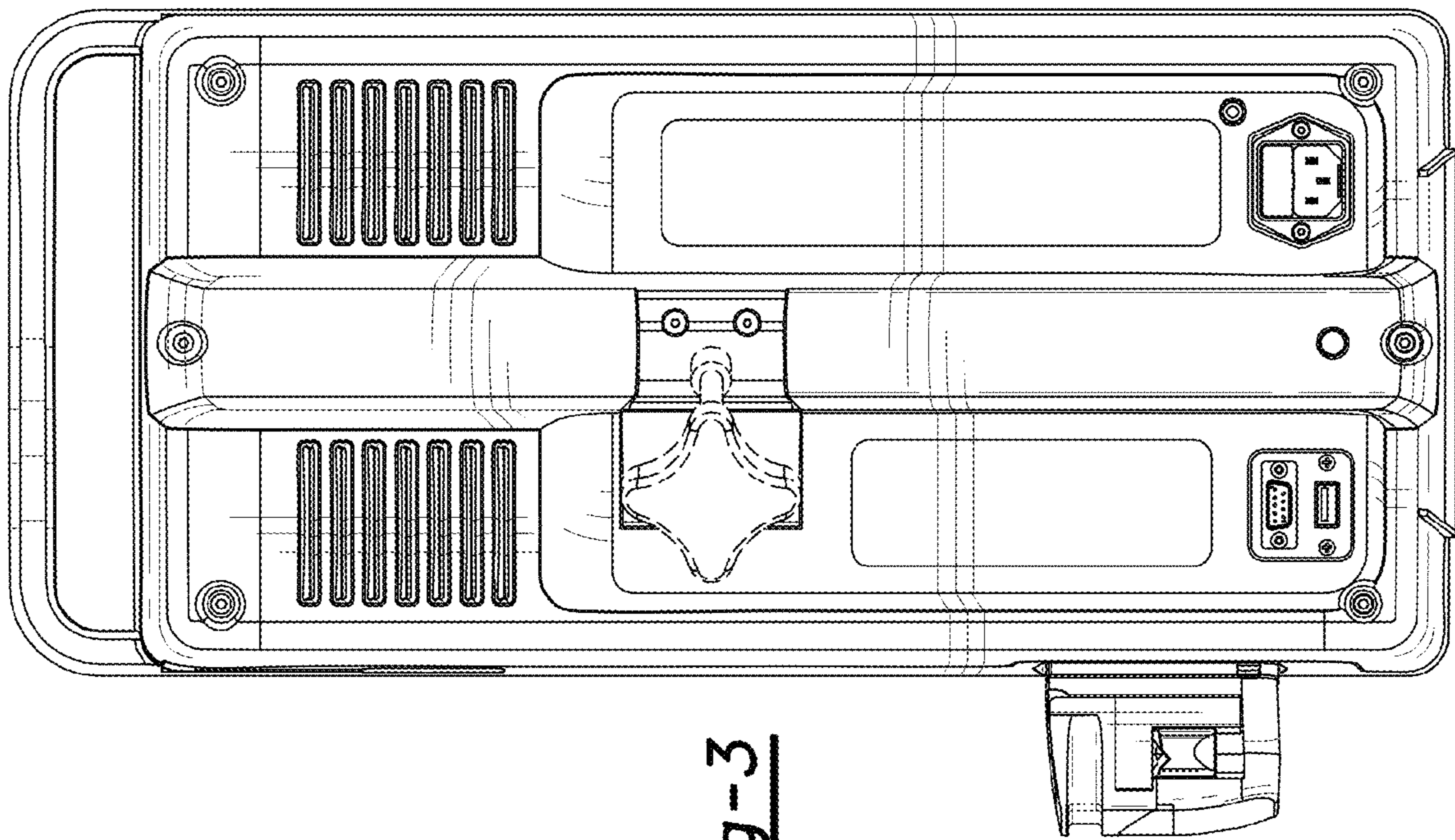


Fig-3

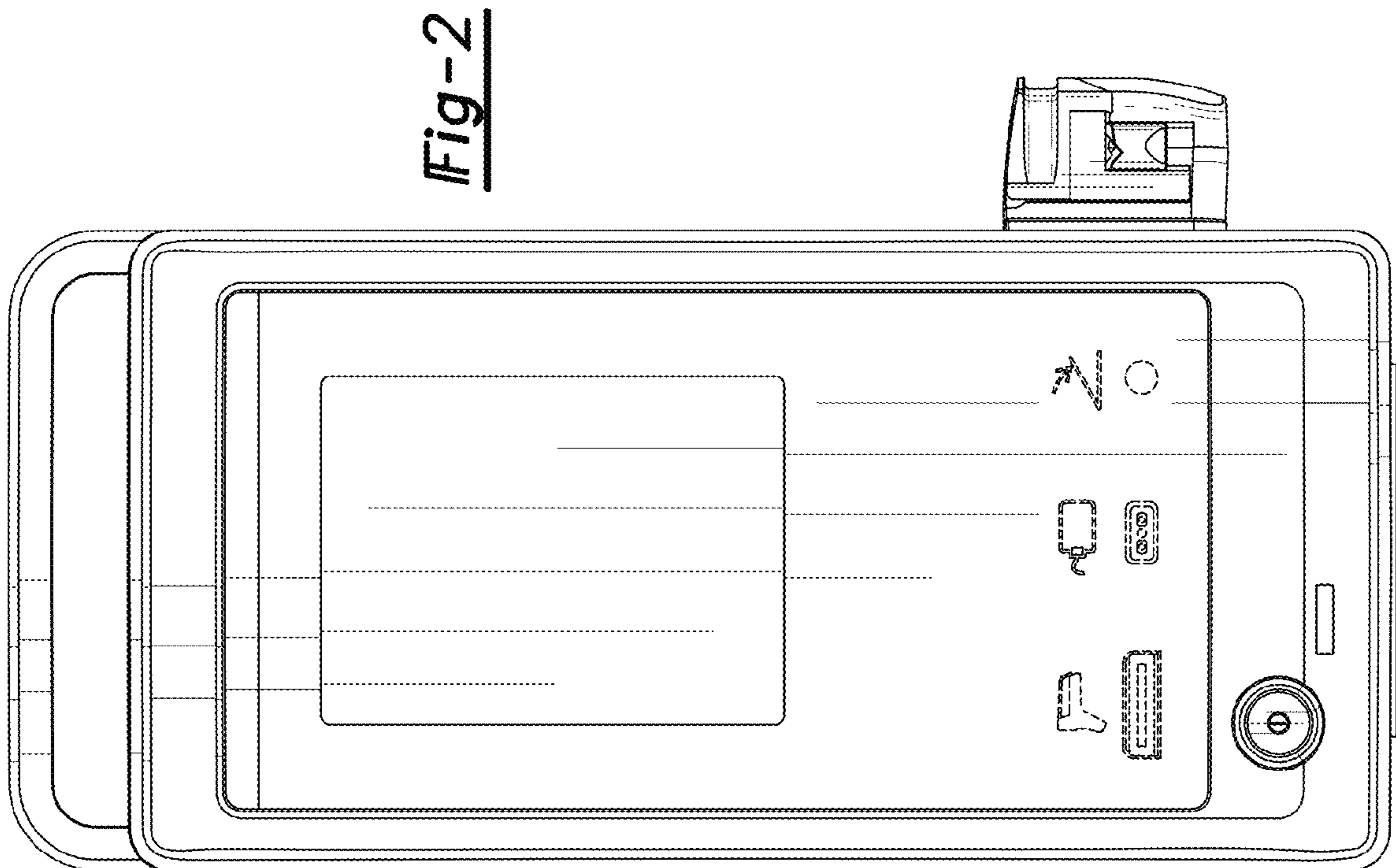


Fig-2

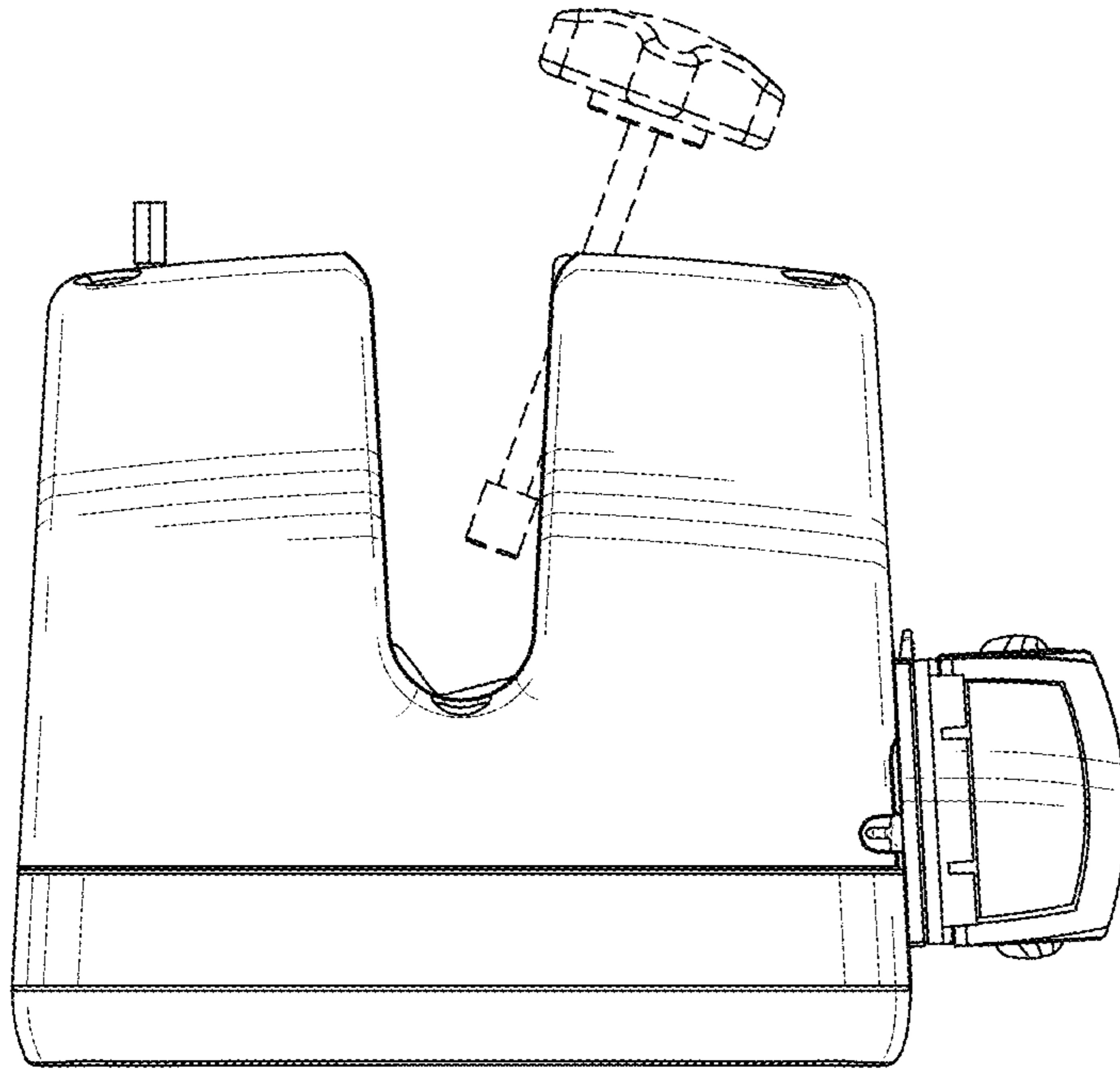


Fig-4

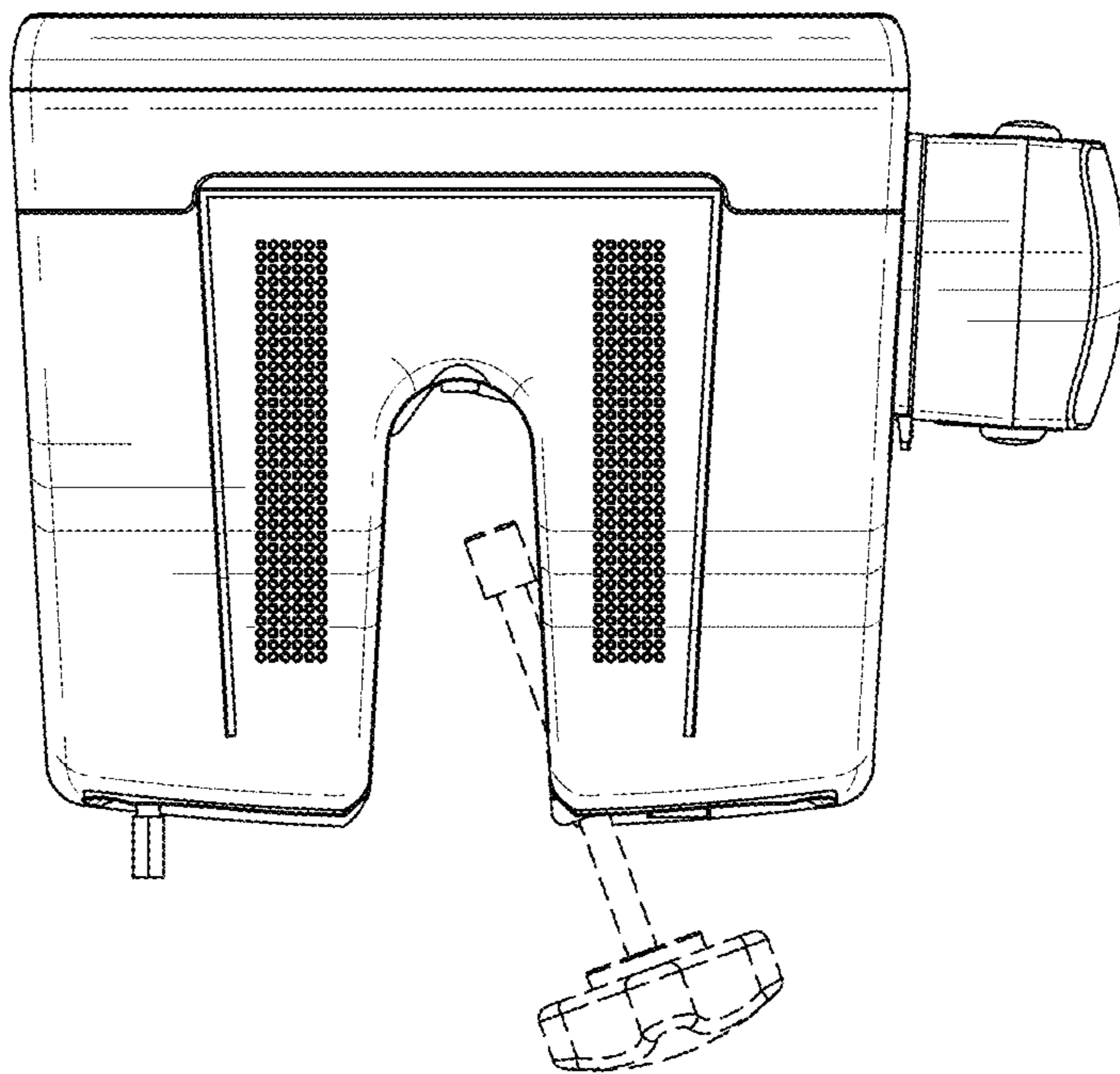


Fig-5

