



US00D705423S

(12) **United States Design Patent**
Walsh Cutler

(10) **Patent No.:** **US D705,423 S**

(45) **Date of Patent:** **** May 20, 2014**

(54) **PORTABLE MALE URINAL**
(71) Applicant: **Mary K. Walsh Cutler**, West Bend, WI
(US)
(72) Inventor: **Mary K. Walsh Cutler**, West Bend, WI
(US)
(**) Term: **14 Years**
(21) Appl. No.: **29/432,736**

6,202,224 B1 * 3/2001 Freeman 4/144.2
D439,970 S 4/2001 Fisher et al.
6,493,883 B2 * 12/2002 Jones 4/144.1
6,578,206 B1 * 6/2003 LaBrash 4/144.1
6,588,024 B2 7/2003 Koelliker et al.
6,602,230 B1 8/2003 Fisher et al.
6,968,577 B1 11/2005 Taft, Jr.
D514,268 S * 1/2006 Schuster D7/700
D650,088 S * 12/2011 Motadel D24/224
D667,960 S * 9/2012 Wilkinson D24/224
D668,778 S * 10/2012 Motadel D24/224
8,562,577 B2 * 10/2013 Michaels et al. 604/317
D695,416 S * 12/2013 Saliaris D24/224

(22) Filed: **Sep. 19, 2012**
(51) **LOC (10) Cl.** **24-04**
(52) **U.S. Cl.**
USPC **D24/122**
(58) **Field of Classification Search**
USPC D24/121-123, 224; D23/274, 302, 295,
D23/309, 200; 4/144.1-144.4, 459, 460;
604/329, 317, 318, 334; 600/573, 574;
D7/700

* cited by examiner

Primary Examiner — David Muller

(74) *Attorney, Agent, or Firm* — Robert C. Montgomery;
Montgomery Patent & Design

See application file for complete search history.

(57) **CLAIM**

The ornamental design for a portable male urinal, as shown and described.

DESCRIPTION

(56) **References Cited**

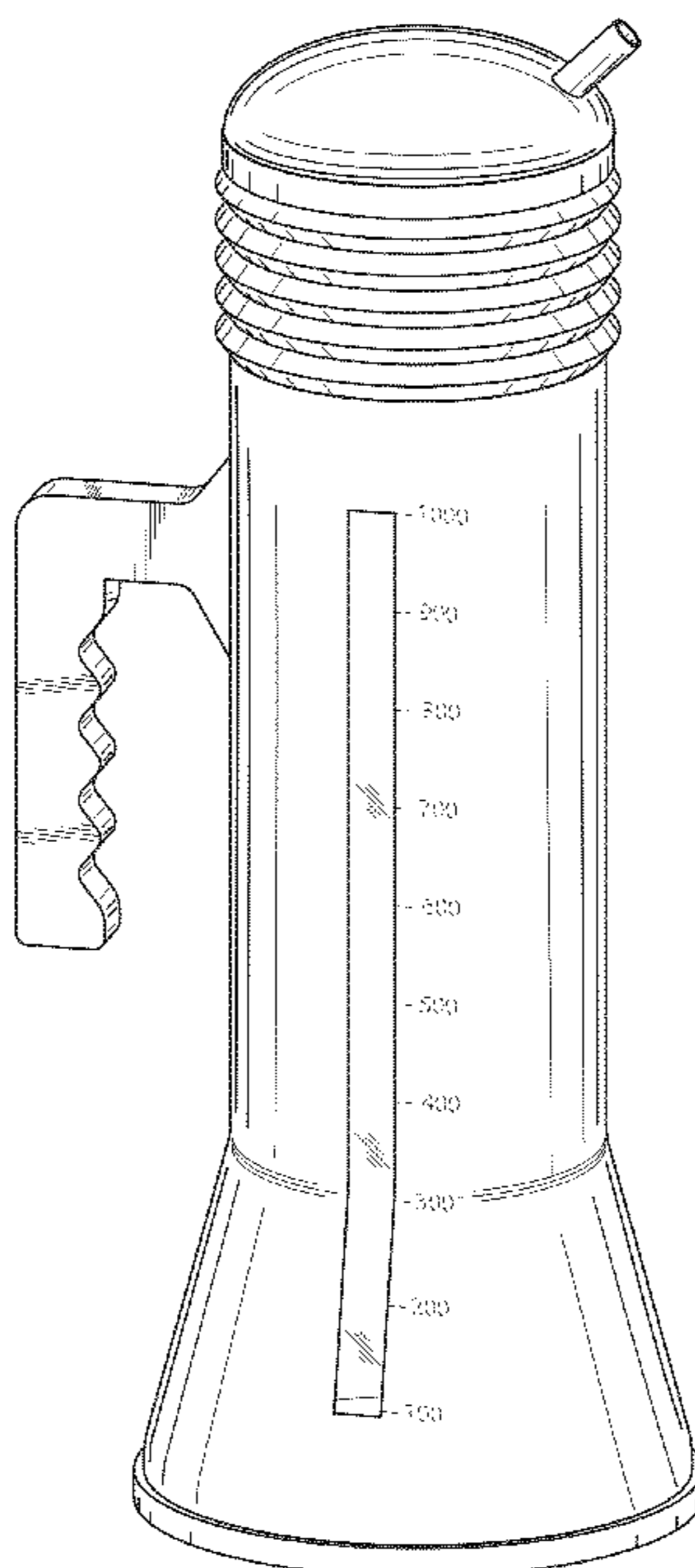
U.S. PATENT DOCUMENTS

3,005,992 A 10/1961 Sullivan
3,479,671 A 11/1969 Beich
D245,670 S * 9/1977 Clover, Jr. D24/224
D247,840 S * 5/1978 Dixson D24/224
4,665,571 A 5/1987 Muccione
D297,462 S 8/1988 Meunchen
D340,467 S * 10/1993 Pollak et al. D7/700
D389,240 S 1/1998 Corona
5,797,147 A 8/1998 Young et al.
D404,462 S * 1/1999 Otto D23/200
6,021,529 A 2/2000 Abbato
6,026,519 A 2/2000 Kaluza

FIG. 1 is a front perspective view of a portable male urinal, showing my new design;
FIG. 2 is a front view thereof;
FIG. 3 is a rear view thereof;
FIG. 4 is a left side view thereof;
FIG. 5 is a right side view thereof;
FIG. 6 is a top view thereof; and,
FIG. 7 is a bottom view thereof.

The broken line showing of measuring indicia of the portable male urinal is for the purpose of illustrating environmental structure and forms no part of the claimed design.

1 Claim, 7 Drawing Sheets



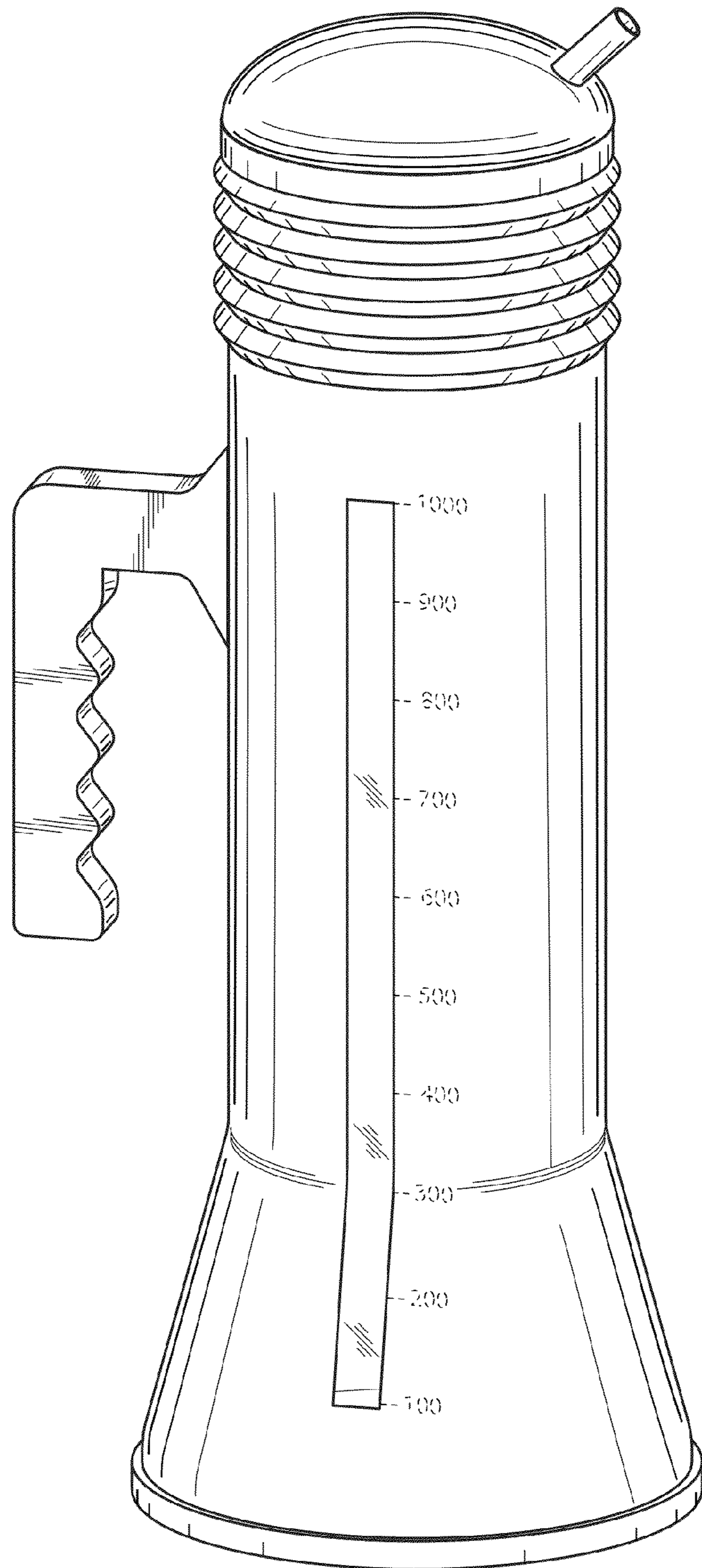


Fig. 1

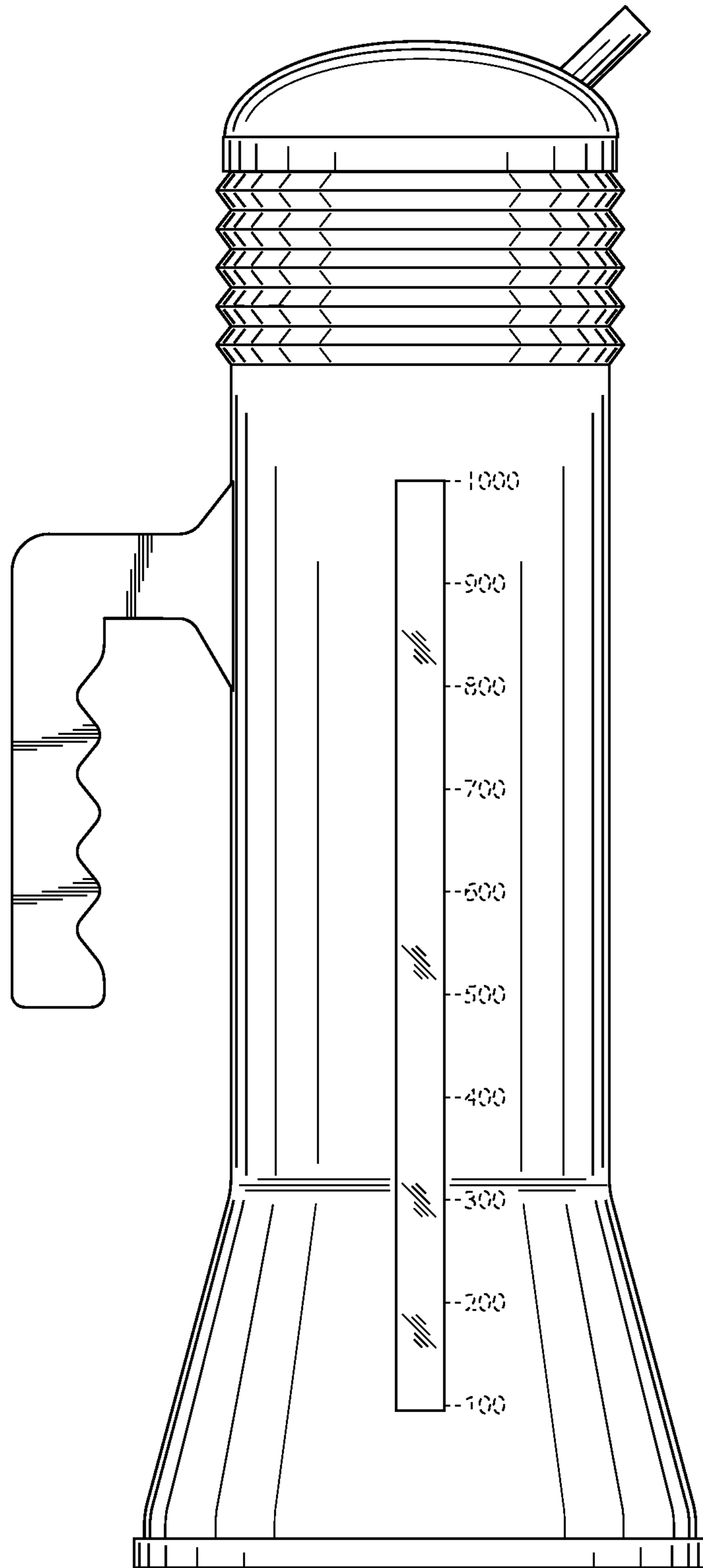


Fig. 2

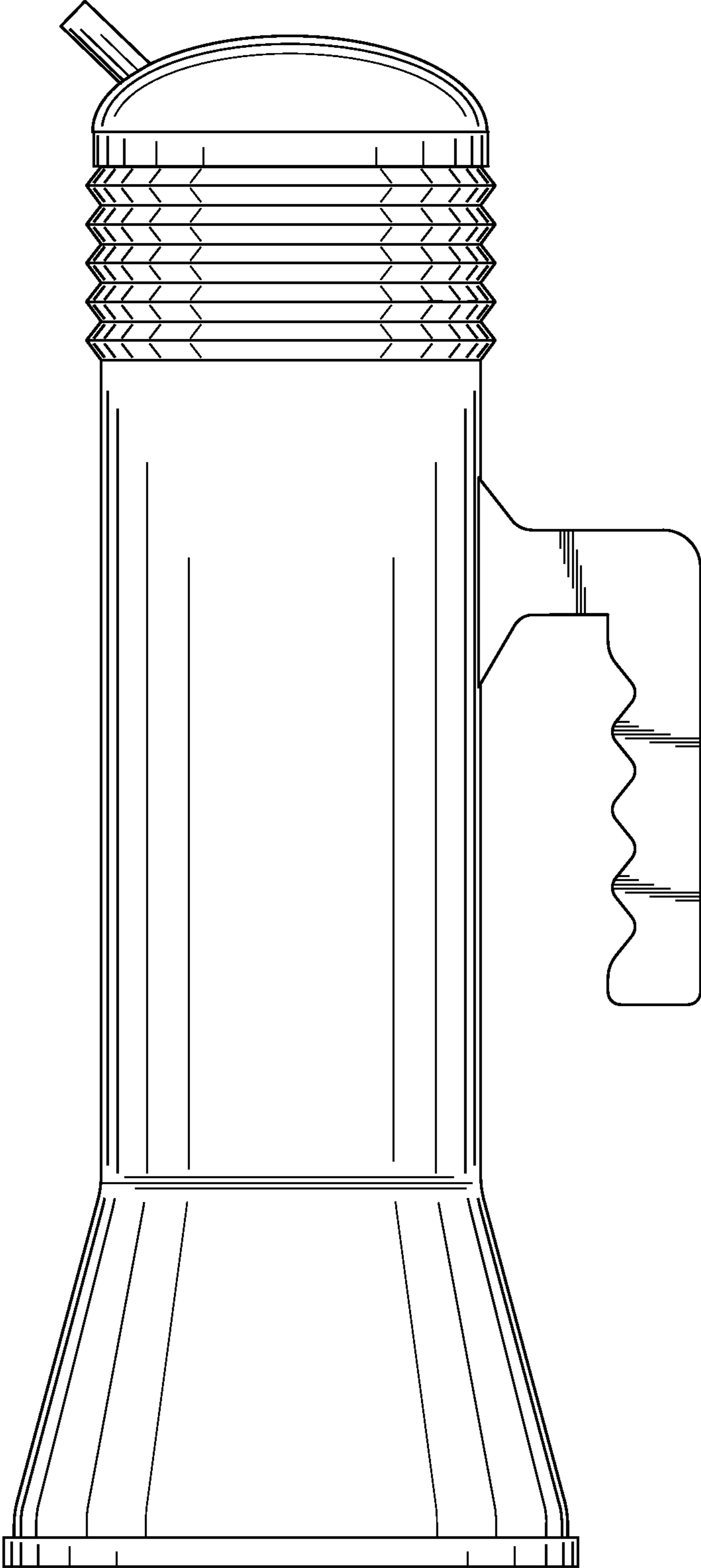


Fig. 3

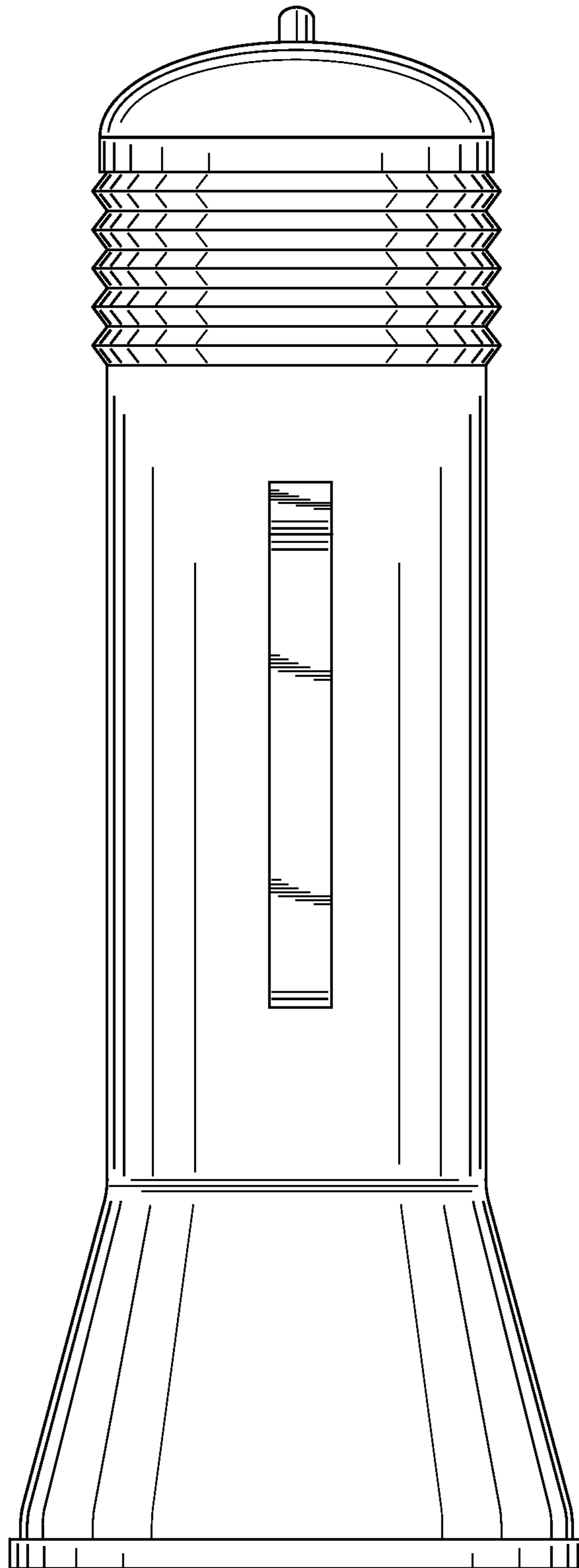


Fig. 4

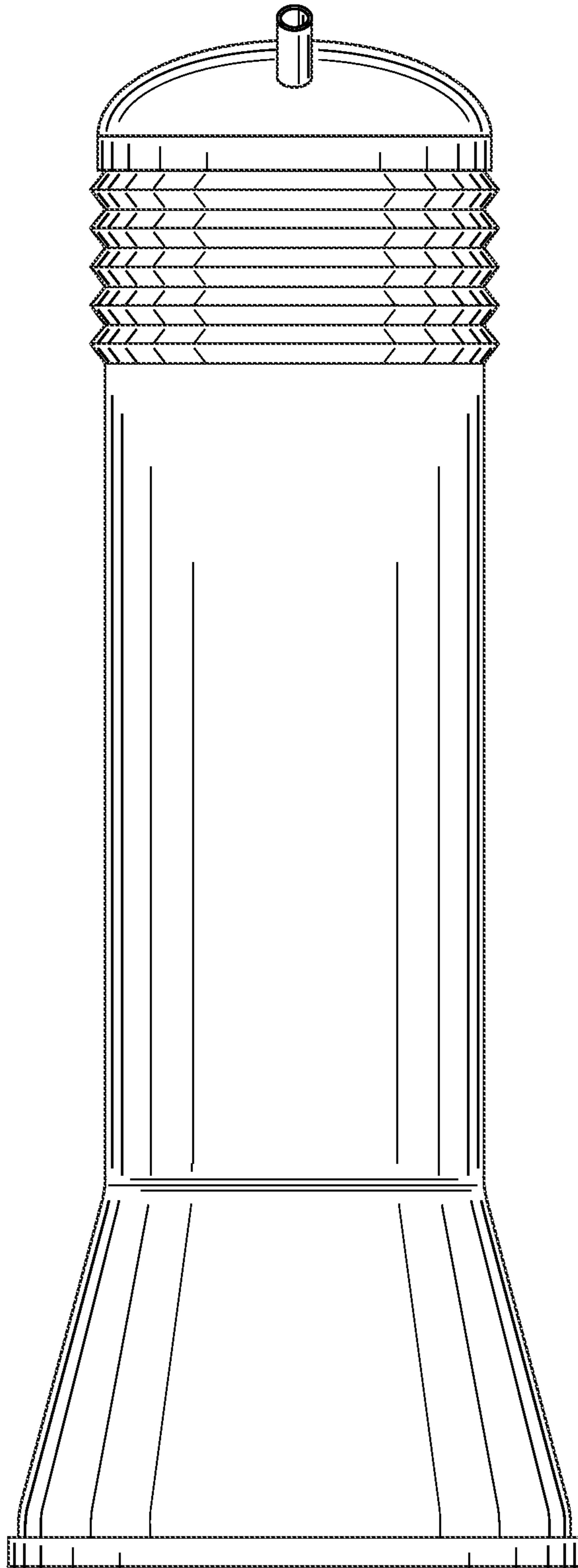


Fig. 5

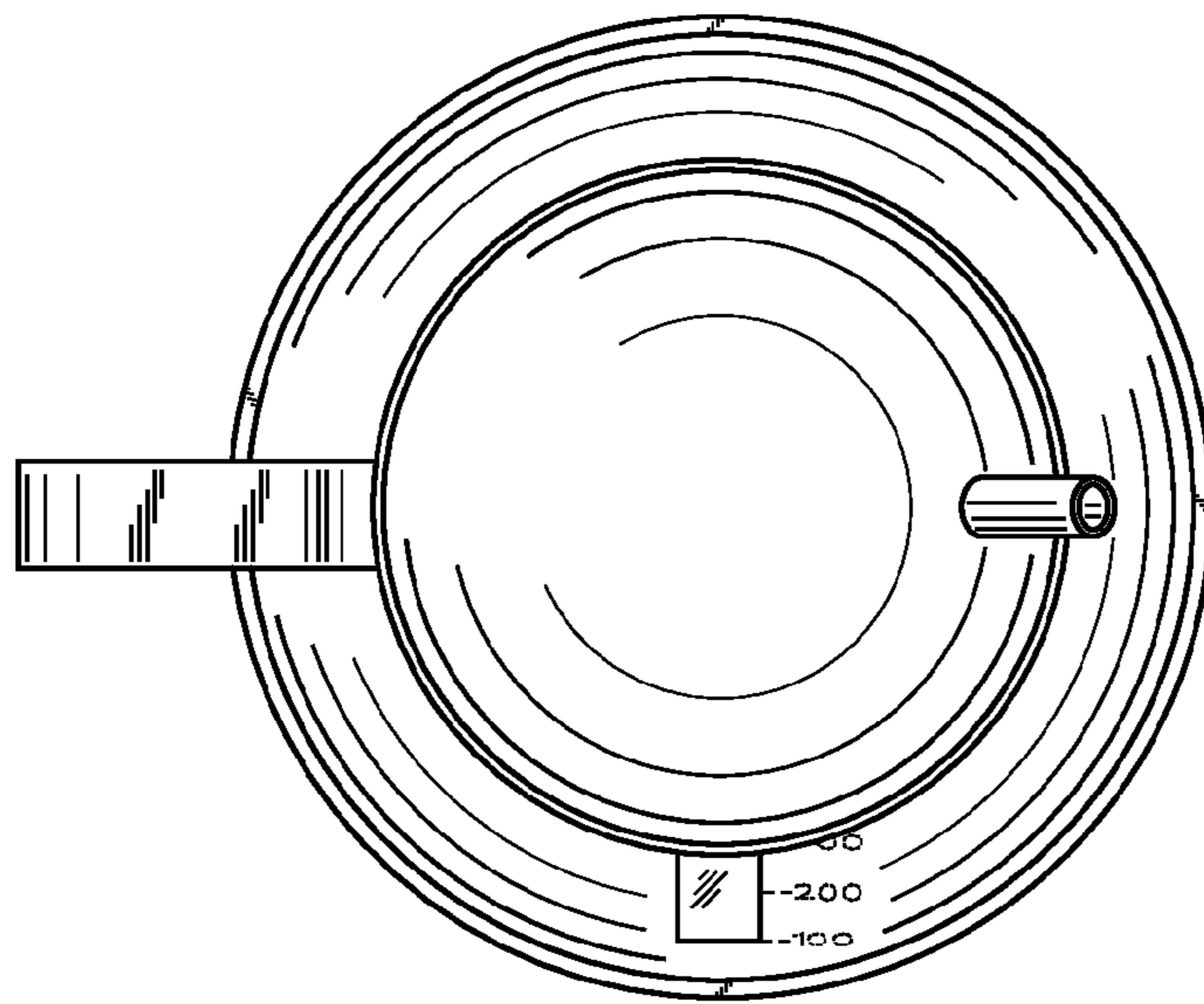


Fig. 6

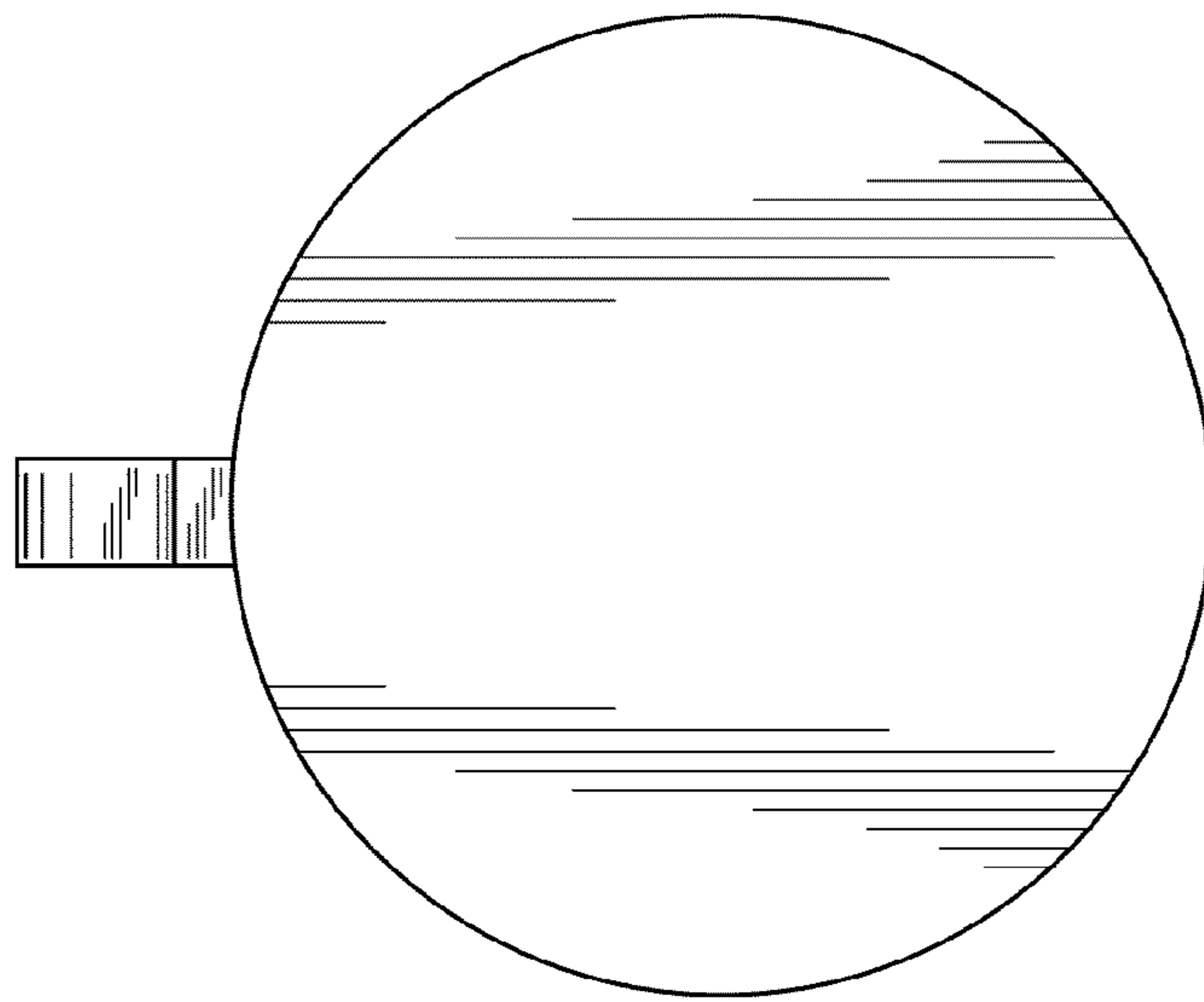


Fig. 7