



US00D705421S

(12) **United States Design Patent**
Eisenmenger

(10) **Patent No.:** **US D705,421 S**

(45) **Date of Patent:** **** May 20, 2014**

(54) **RETRACTABLE EAR PLUG HOUSING**

(71) Applicant: **Daryl Eisenmenger**, Prospect, KY (US)

(72) Inventor: **Daryl Eisenmenger**, Prospect, KY (US)

(**) Term: **14 Years**

(21) Appl. No.: **29/470,632**

(22) Filed: **Oct. 23, 2013**

(51) **LOC (10) Cl.** **24-04**

(52) **U.S. Cl.**
USPC **D24/106**

(58) **Field of Classification Search**
USPC D24/106; D3/215; D8/358; D14/223,
D14/205; 24/3.13; 128/864; 181/135;
191/12.2 R; 242/170, 379, 385.4, 405,
242/917; 381/380

See application file for complete search history.

(56) **References Cited**

U.S. PATENT DOCUMENTS

671,138	A	4/1901	Knudson et al.	
1,599,961	A	9/1926	Hall et al.	
3,324,253	A	6/1967	Uemura et al.	
3,528,415	A	9/1970	Hall et al.	
3,695,544	A *	10/1972	Morey, Sr.	242/378.2
3,906,478	A	9/1975	Smey	
3,943,925	A	3/1976	Leight	
3,970,082	A	7/1976	Leight	
D241,881	S	10/1976	Peterson	
D245,202	S	7/1977	Asker	
4,219,018	A	8/1980	Draper, Jr.	
D262,491	S	12/1981	Ebert	
4,314,553	A	2/1982	Westerdal	
4,429,194	A	1/1984	Kamon et al.	
D277,317	S	1/1985	Eisenmenger	
D287,765	S	1/1987	Topholm	
4,691,383	A	9/1987	DeMars	
5,178,619	A	1/1993	Galazaka	
5,303,426	A	4/1994	Jones	
D348,067	S	6/1994	Lucey et al.	
5,339,461	A	8/1994	Luplow	

5,422,957	A	6/1995	Cummins	
5,655,026	A	8/1997	Peters et al.	
5,677,964	A	10/1997	Sun	
D387,062	S *	12/1997	Heine	D14/230
5,832,098	A	11/1998	Chen	
6,257,469	B1 *	7/2001	Cohn	224/162
6,434,249	B1	8/2002	Wei	
6,438,248	B1	8/2002	Kamimura et al.	
D471,005	S *	3/2003	Hastings	D3/215
6,616,080	B1 *	9/2003	Edwards et al.	242/378.1
D481,709	S	11/2003	Solderits	
D485,981	S *	2/2004	Romero	D3/215
6,912,291	B2	6/2005	Huang	
D508,911	S	8/2005	Sanders	

(Continued)

Primary Examiner — Ian Simmons

Assistant Examiner — Richelle G Shelton

(74) *Attorney, Agent, or Firm* — Middleton Reutlinger

(57) **CLAIM**

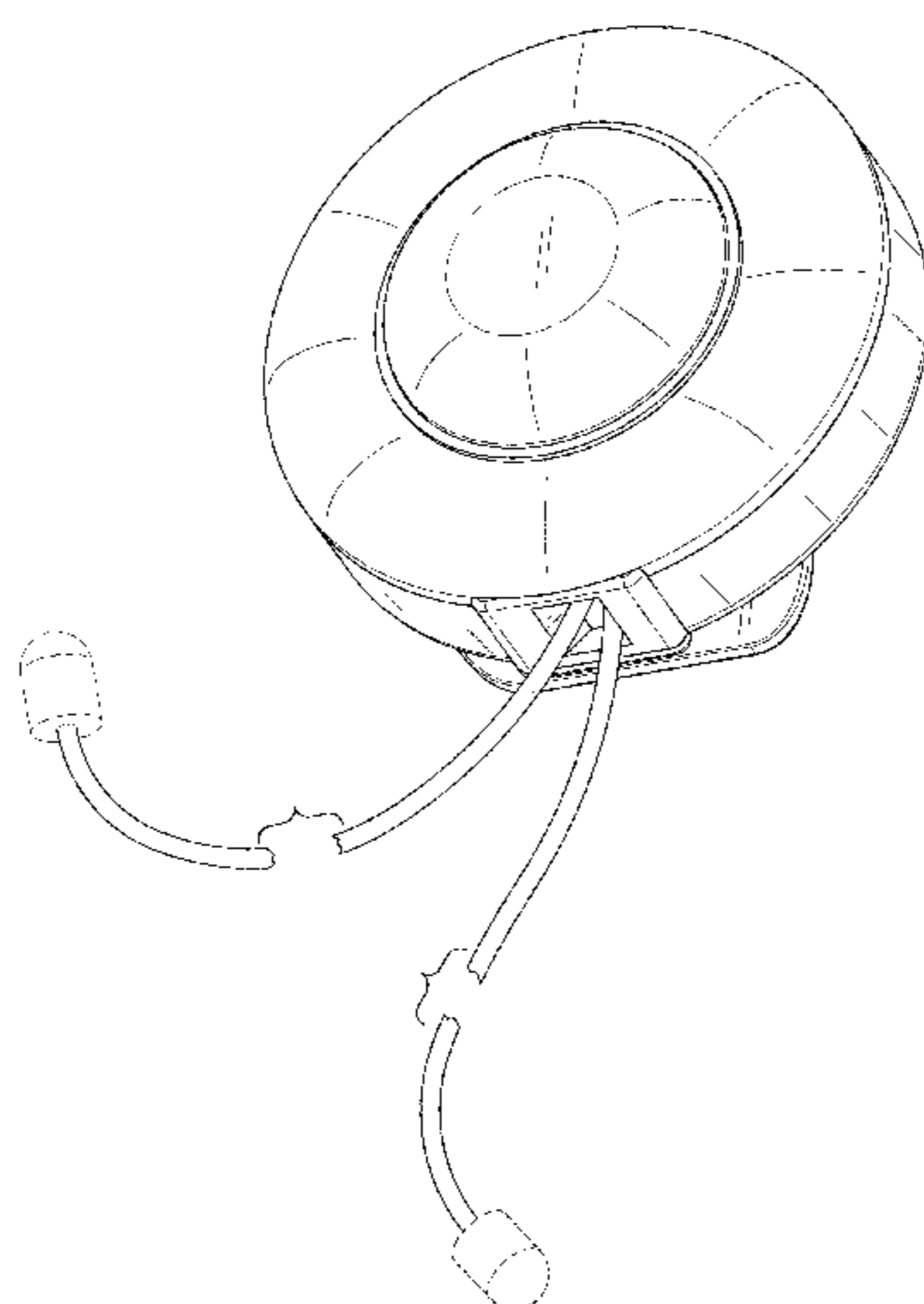
The ornamental design for a retractable ear plug housing, as shown and described.

DESCRIPTION

FIG. 1 is a front right side perspective view of a retractable ear plug housing showing my design;
 FIG. 2 is a rear left side perspective view thereof;
 FIG. 3 is a front elevational view thereof;
 FIG. 4 is a rear elevational view thereof;
 FIG. 5 is a left side elevational view thereof;
 FIG. 6 is a right side elevational view thereof;
 FIG. 7 is a top plan view thereof; and,
 FIG. 8 is a bottom plan view thereof.

The broken line showing of ear plugs is included for the purpose of showing environmental structure and forms no part of the claimed design. The ear plug cords are shown broken to indicate indeterminate length, with the understanding that the portion of the cords not shown forms no part of the claim design. Patentability is based only on those portions of the article that are shown in solid lines.

1 Claim, 7 Drawing Sheets



(56)

References Cited

U.S. PATENT DOCUMENTS

D512,417 S 12/2005 Hirakawa et al.
 6,978,034 B2 12/2005 Lazzeroni et al.
 D514,095 S 1/2006 Wilson et al.
 D516,241 S * 2/2006 Gaines et al. D27/161
 D539,529 S * 4/2007 Oner D3/215
 D543,537 S 5/2007 Chau
 D566,107 S 4/2008 Bowling
 7,356,362 B2 4/2008 Chang et al.
 D568,290 S 5/2008 Wikel

D618,671 S 6/2010 Hou
 D630,835 S * 1/2011 Easley et al. D3/203.1
 D638,409 S 5/2011 Walter
 D642,164 S 7/2011 Liner
 D642,376 S * 8/2011 Pennington D3/215
 D647,081 S 10/2011 Kwon
 D655,277 S * 3/2012 Wai D14/223
 D659,118 S 5/2012 Watters et al.
 D670,680 S 11/2012 Eisenmenger
 2002/0023814 A1 * 2/2002 Poutiatine 191/12.2 R
 2011/0146857 A1 * 6/2011 Triggiani 150/134
 2012/0314896 A1 * 12/2012 Bryant 381/380

* cited by examiner

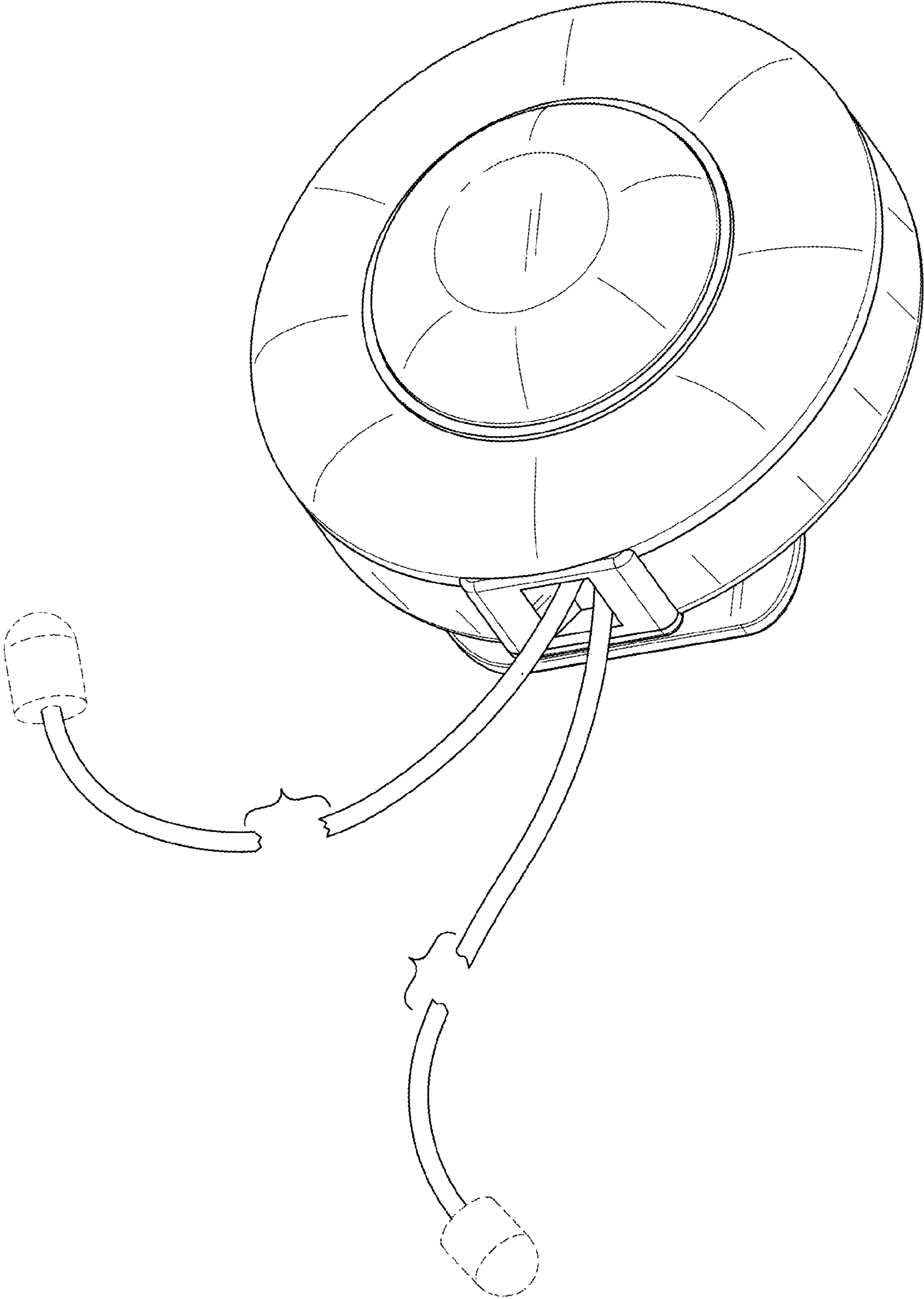


FIG. 1

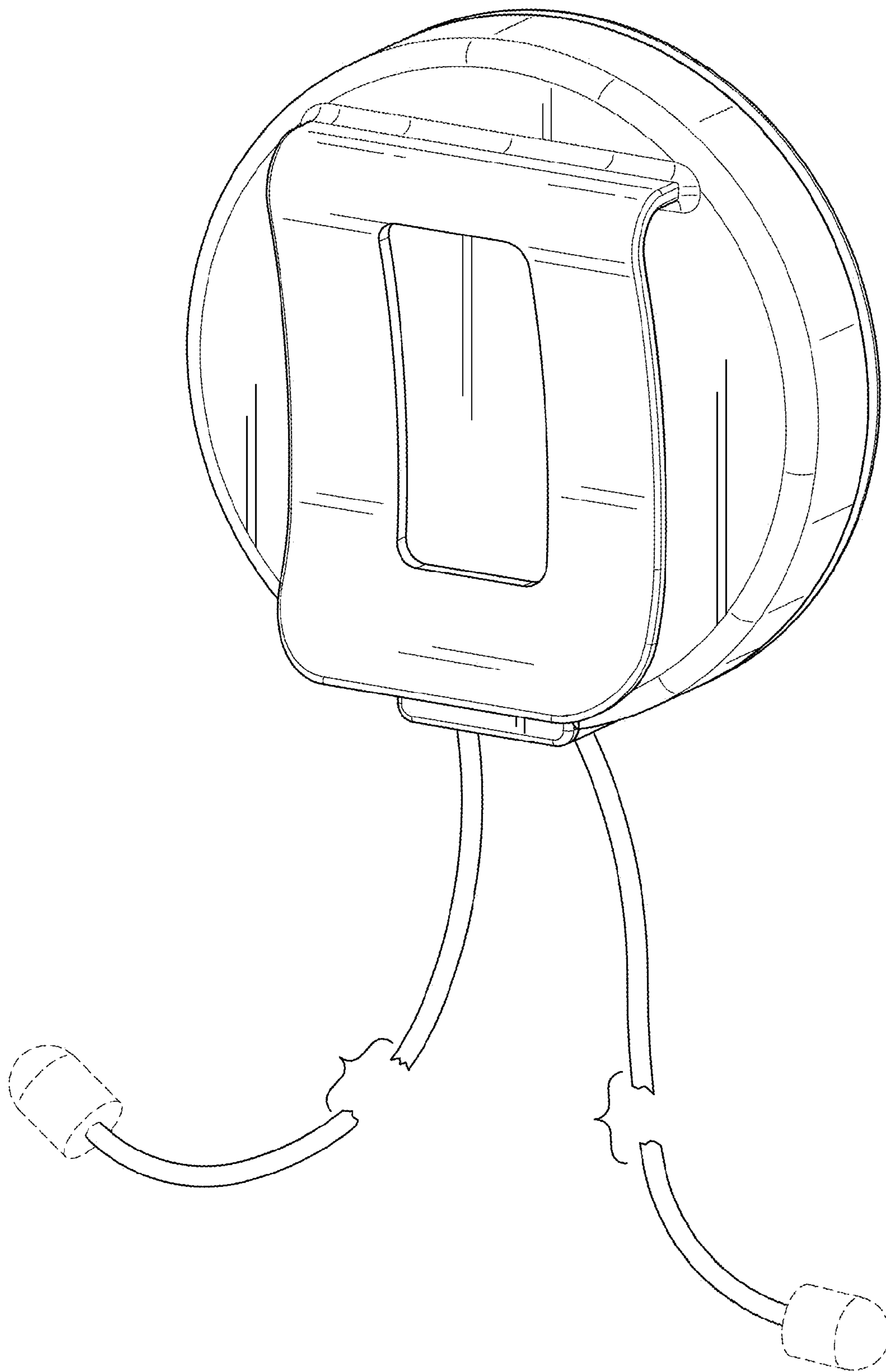


FIG. 2

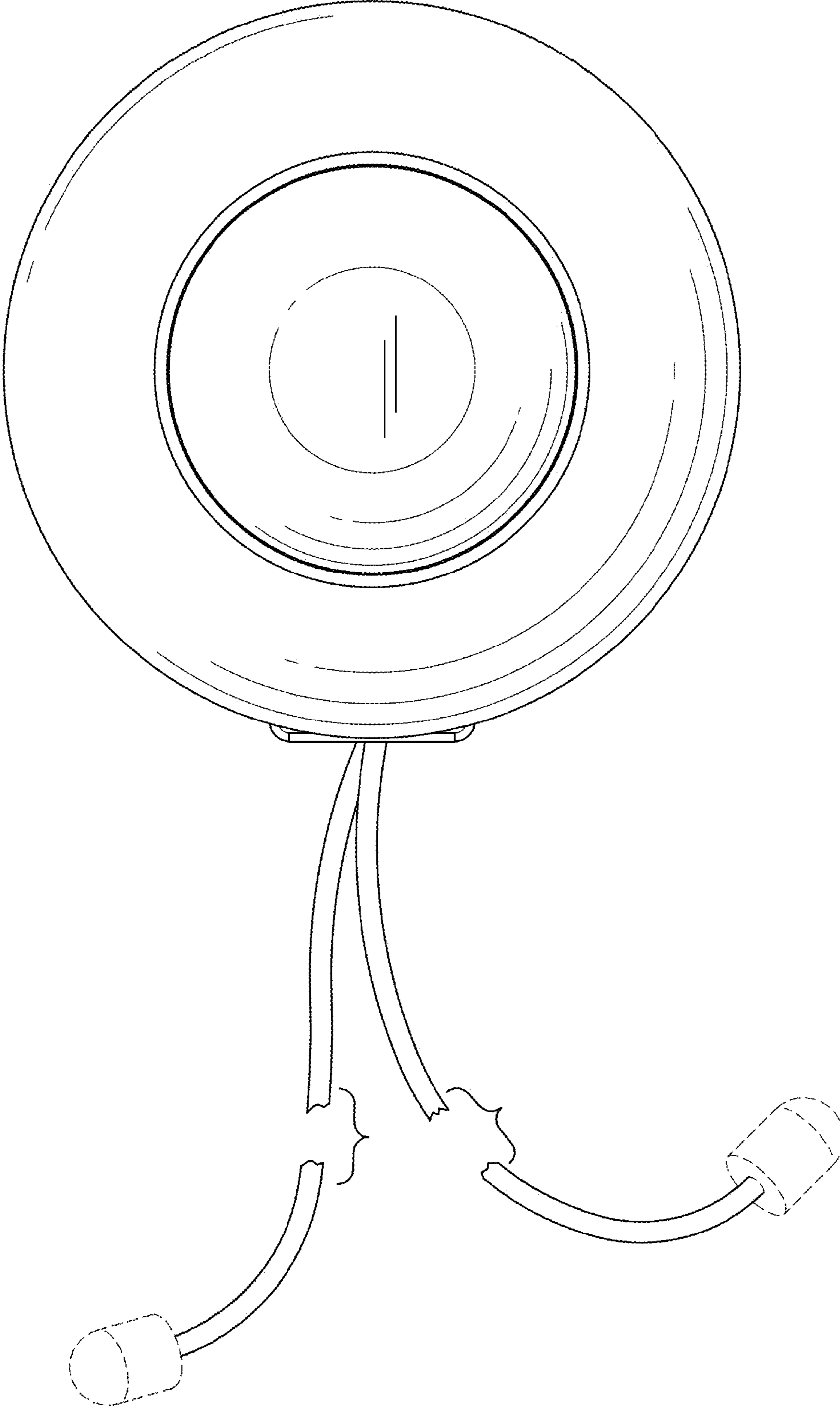


FIG. 3

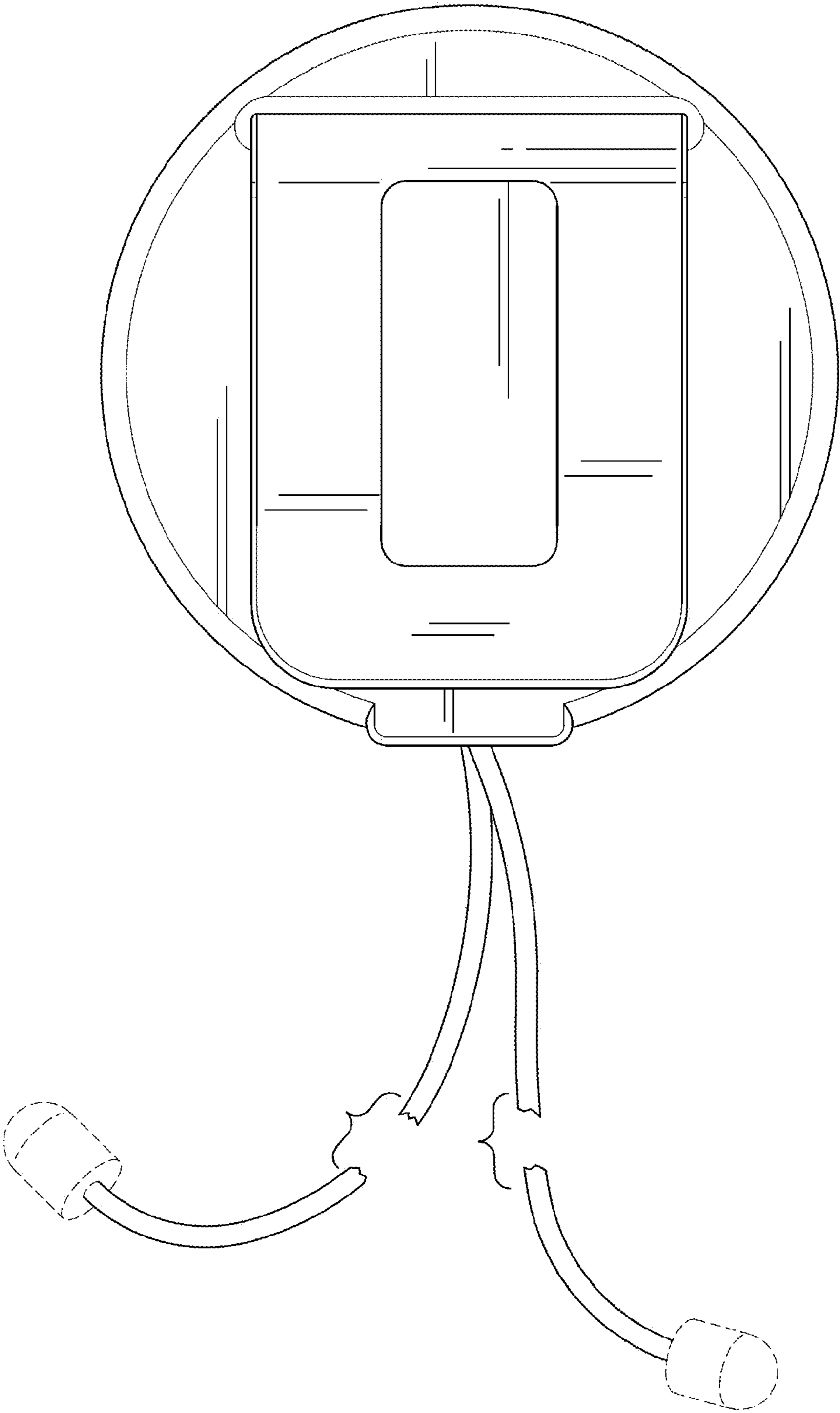


FIG. 4

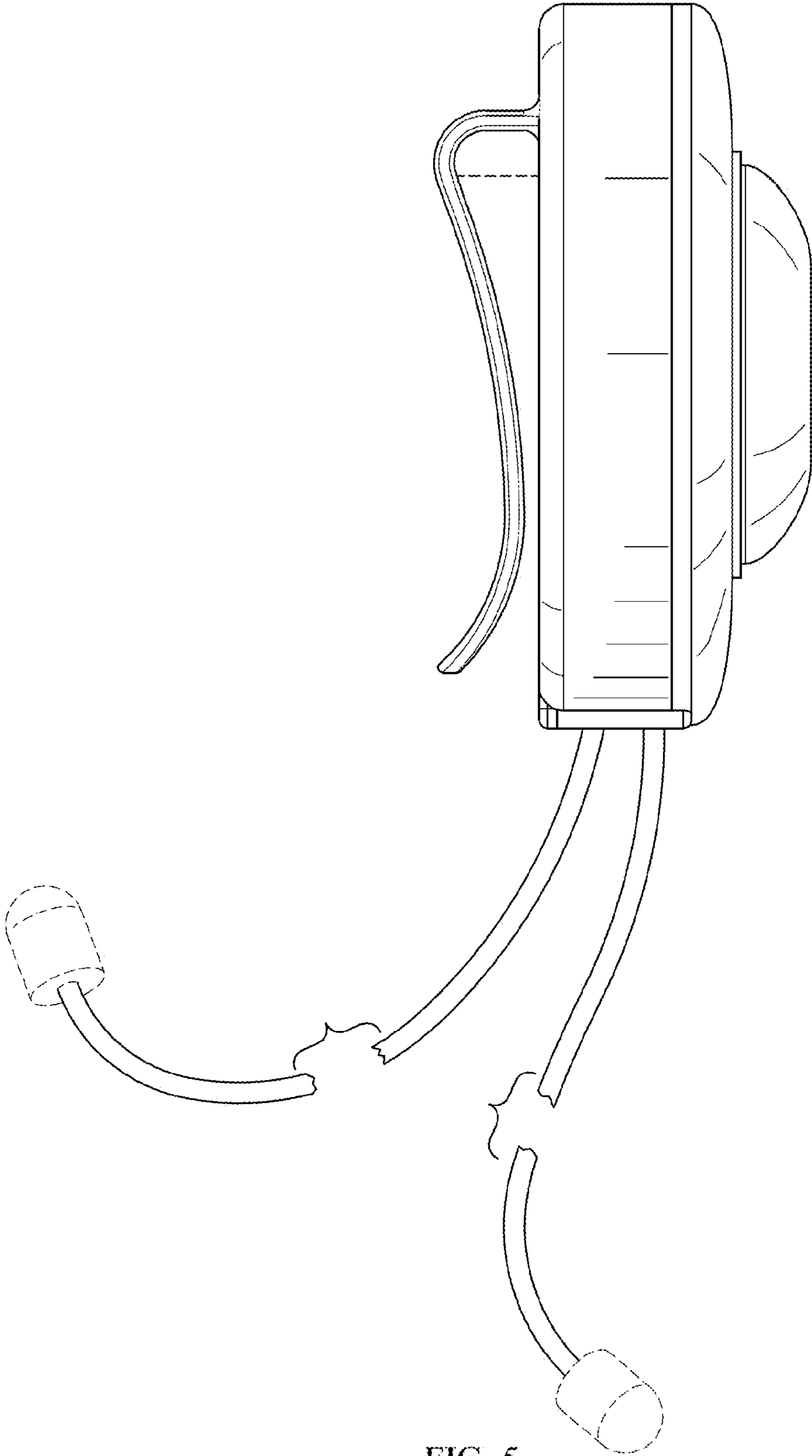


FIG. 5

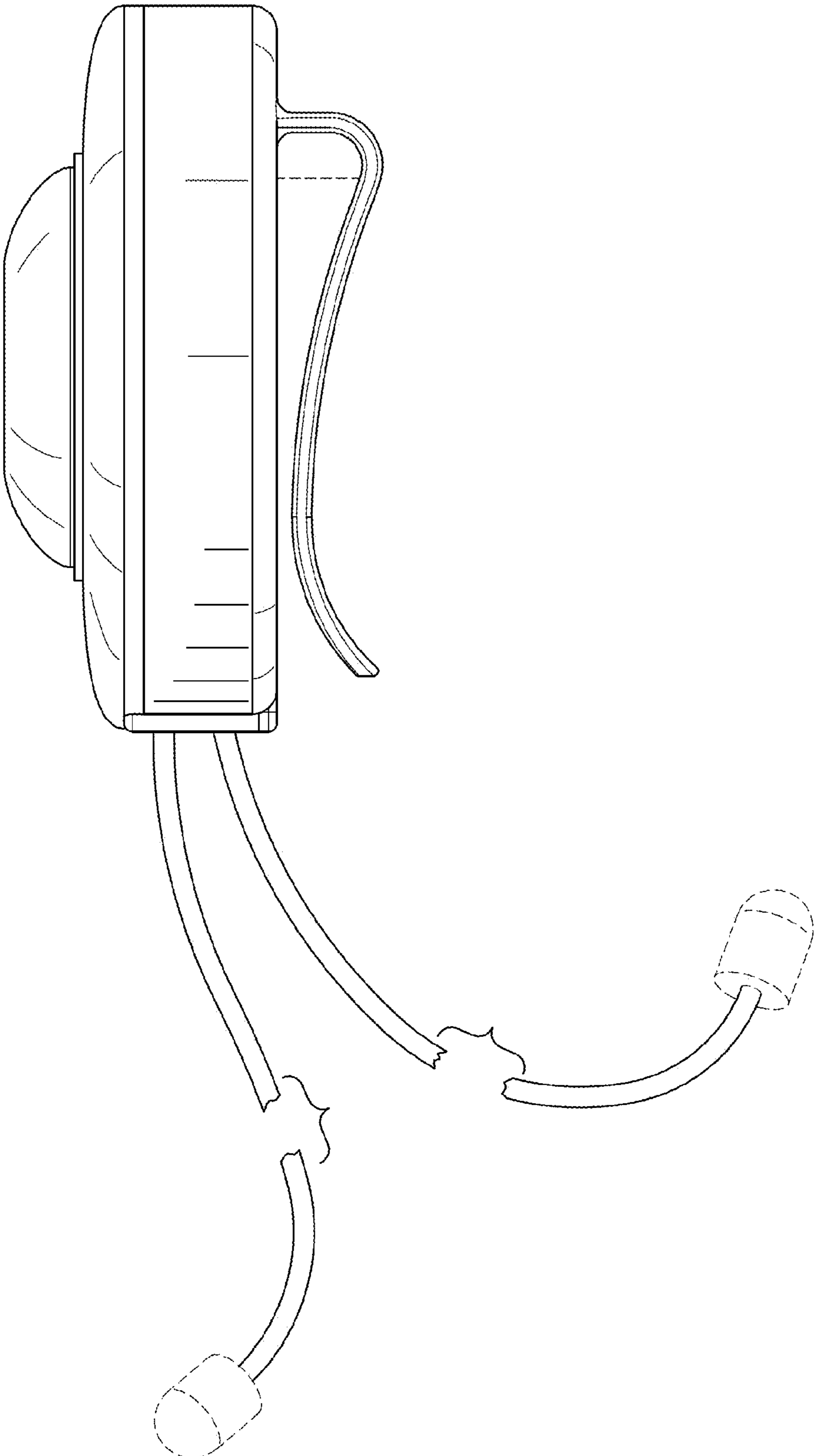


FIG. 6

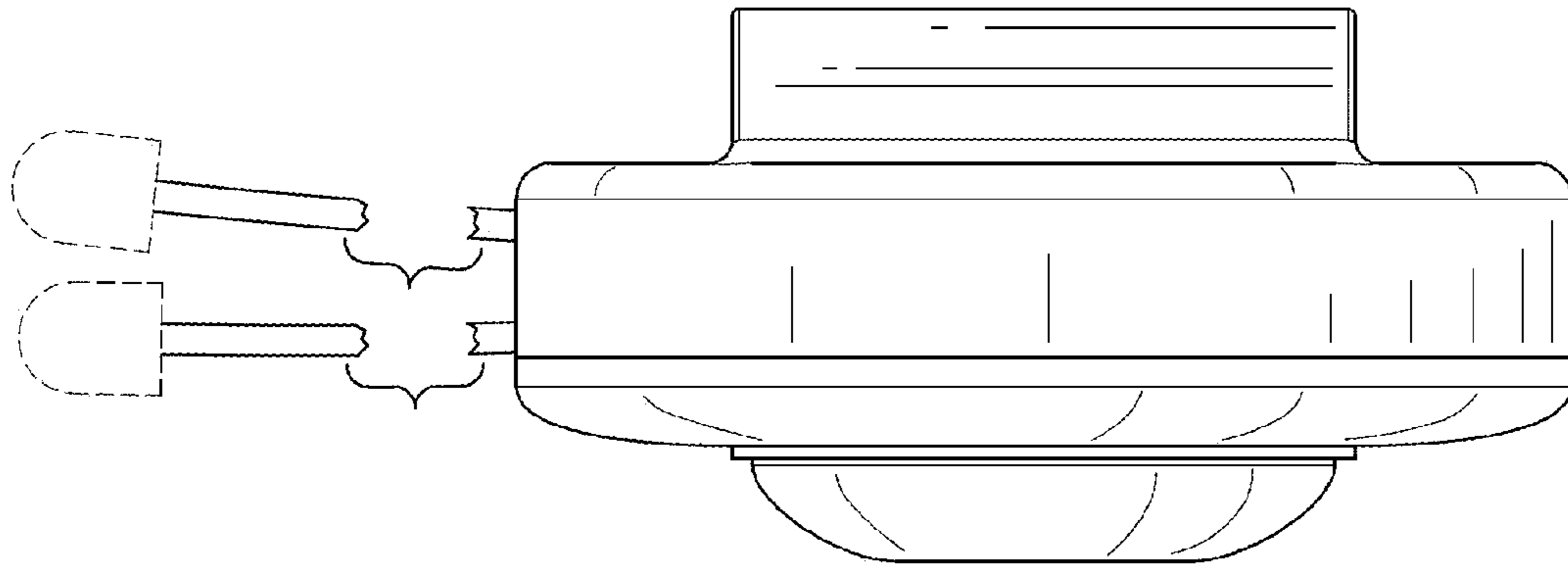


FIG. 7

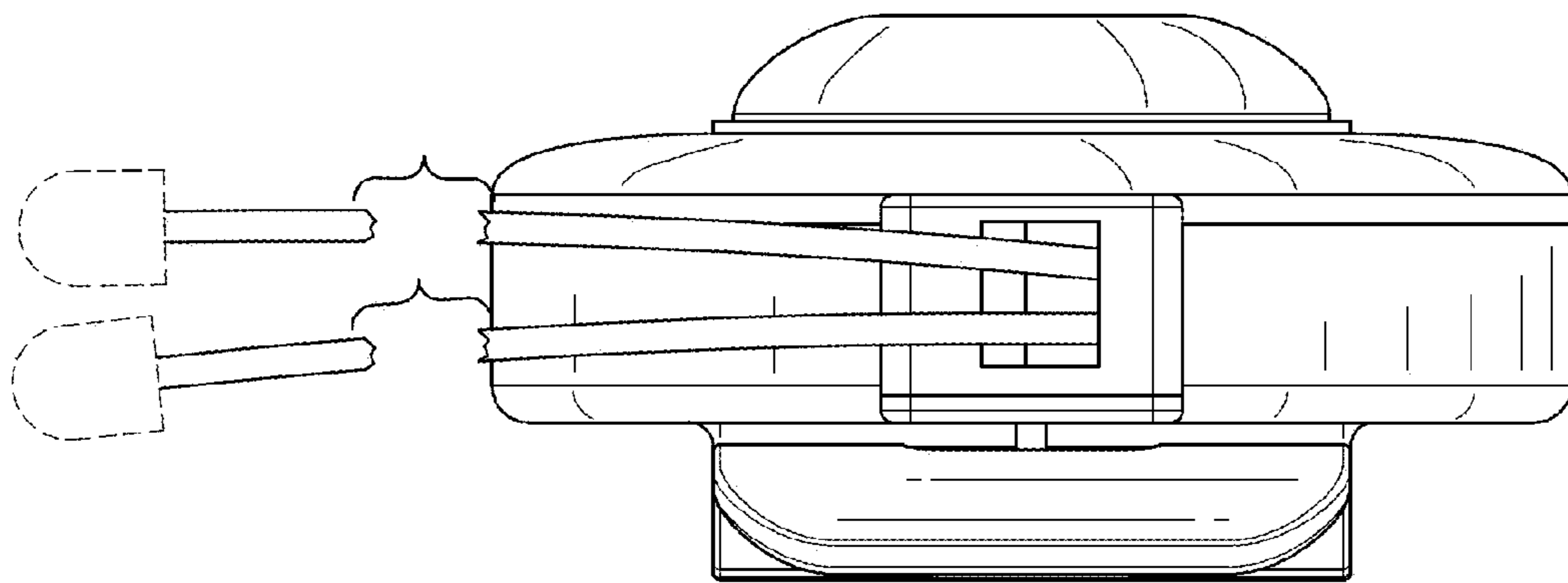


FIG. 8