



US00D705420S

(12) **United States Design Patent**  
**Eichelberg**

(10) **Patent No.:** **US D705,420 S**

(45) **Date of Patent:** **\*\* May 20, 2014**

- (54) **AIRFLOW ADAPTER ASSEMBLY**
- (71) Applicant: **Amazon Technologies, Inc.**, Reno, NV  
(US)
- (72) Inventor: **John William Eichelberg**, Spokane, WA  
(US)
- (73) Assignee: **Amazon Technologies, Inc.**, Reno, NV  
(US)
- (\*\*) Term: **14 Years**
- (21) Appl. No.: **29/439,596**
- (22) Filed: **Dec. 13, 2012**
- (51) **LOC (10) Cl.** ..... **23-04**
- (52) **U.S. Cl.**  
USPC ..... **D23/387**
- (58) **Field of Classification Search**  
USPC ..... D23/385–395, 397, 370–373, 365, 354,  
D23/399–403, 421, 499; 454/309, 275–277,  
454/284, 287–291, 358–363; 52/302.1,  
52/32.07; 285/229, 189, 183, 123.1, 15,  
285/114, 110, 424, 197; D25/121  
See application file for complete search history.

- D675,719 S \* 2/2013 Eicher ..... D23/373
- D676,542 S \* 2/2013 Sinur et al. .... D23/372
- D677,775 S \* 3/2013 Funnell, II ..... D23/371

\* cited by examiner

*Primary Examiner* — David Muller  
(74) *Attorney, Agent, or Firm* — Thomas | Horstemeyer,  
LLP

(57) **CLAIM**  
The ornamental designs for an airflow adapter assembly, as shown and described.

**DESCRIPTION**

A portion of the disclosure of this patent document contains material to which a claim for copyright is made. The copyright owner has no objection to the facsimile reproduction by anyone of the patent document or the patent disclosure, as it appears in the Patent and Trademark Office patent file or records, but reserves all other copyright rights whatsoever.

FIG. 1 is a perspective view of an embodiment of an airflow adapter assembly.

FIG. 2 is a left side view of the embodiment of the airflow adapter assembly shown in FIG. 1.

FIG. 3 is a right side view of the embodiment of the airflow adapter assembly shown in FIG. 1.

FIG. 4 is a front view of the embodiment of the airflow adapter assembly shown in FIG. 1.

FIG. 5 is a rear view of the embodiment of the airflow adapter assembly shown in FIG. 1.

FIG. 6 is a top plan view of view of the embodiment of the airflow adapter assembly shown in FIG. 1.

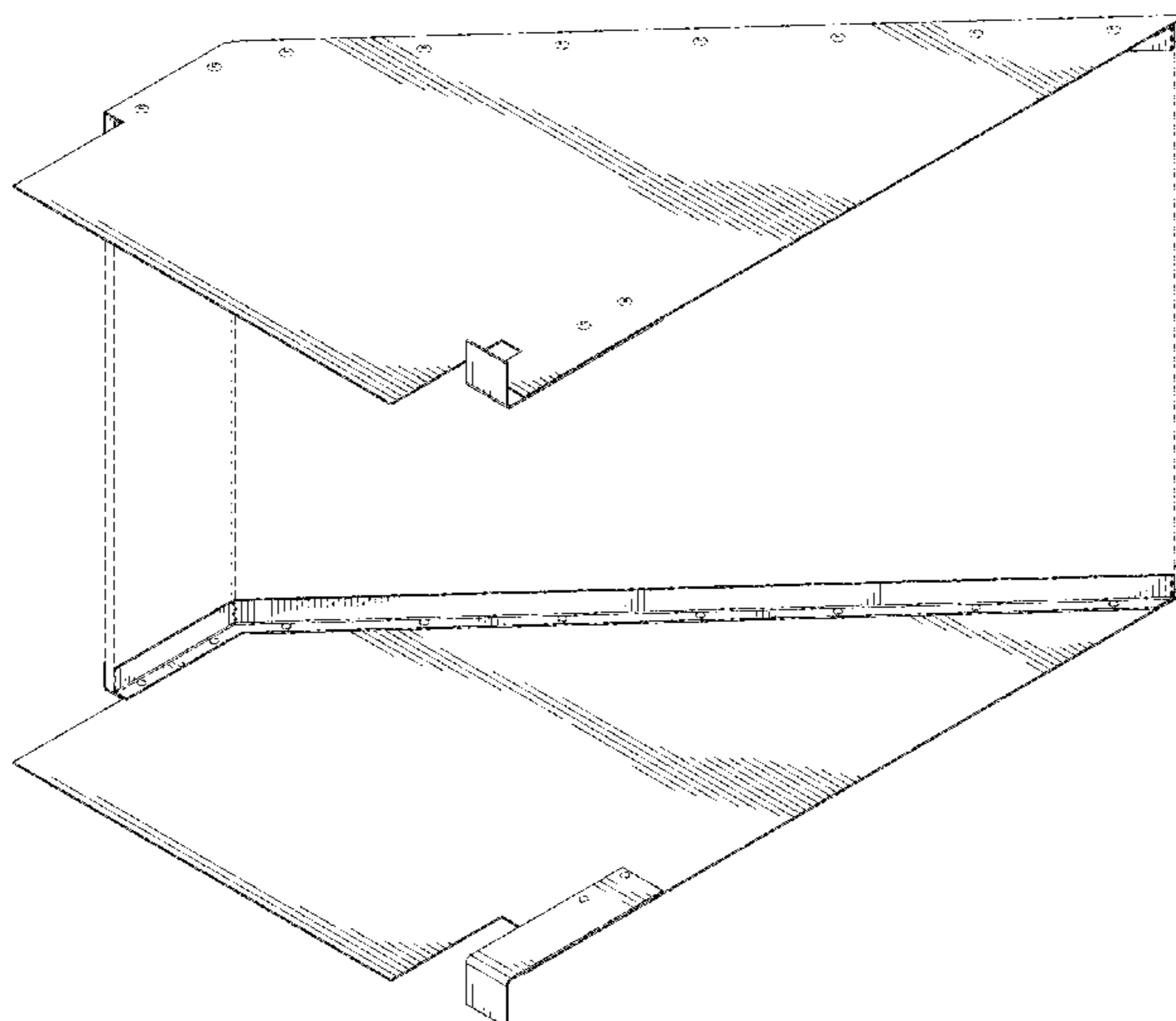
FIG. 7 is bottom plan view of the embodiment of the airflow adapter assembly shown in FIG. 1; and,

FIG. 8 is a perspective view of the embodiment of the airflow adapter assembly shown in FIG. 1 from an opposite orientation relative to the orientation of FIG. 1.

The features shown in broken lines in FIG. 1 depict environmental subject matter only and form no part of the claimed design.

- (56) **References Cited**
- U.S. PATENT DOCUMENTS
- D332,305 S \* 1/1993 Karlsson ..... D23/371
- D353,452 S \* 12/1994 Groenhoff ..... D23/386
- D411,628 S \* 6/1999 Dyer ..... D25/138
- D413,666 S \* 9/1999 Mattarelli ..... D23/403
- D436,163 S \* 1/2001 Peterson et al. .... D23/393
- D482,804 S \* 11/2003 Schwagermann ..... D25/138
- 6,715,724 B2 \* 4/2004 Wells et al. .... 248/188.6
- D566,822 S \* 4/2008 Blanchette et al. .... D23/372
- D579,096 S \* 10/2008 Guzorek ..... D23/370
- D586,453 S \* 2/2009 Yusa et al. .... D23/386

**1 Claim, 8 Drawing Sheets**



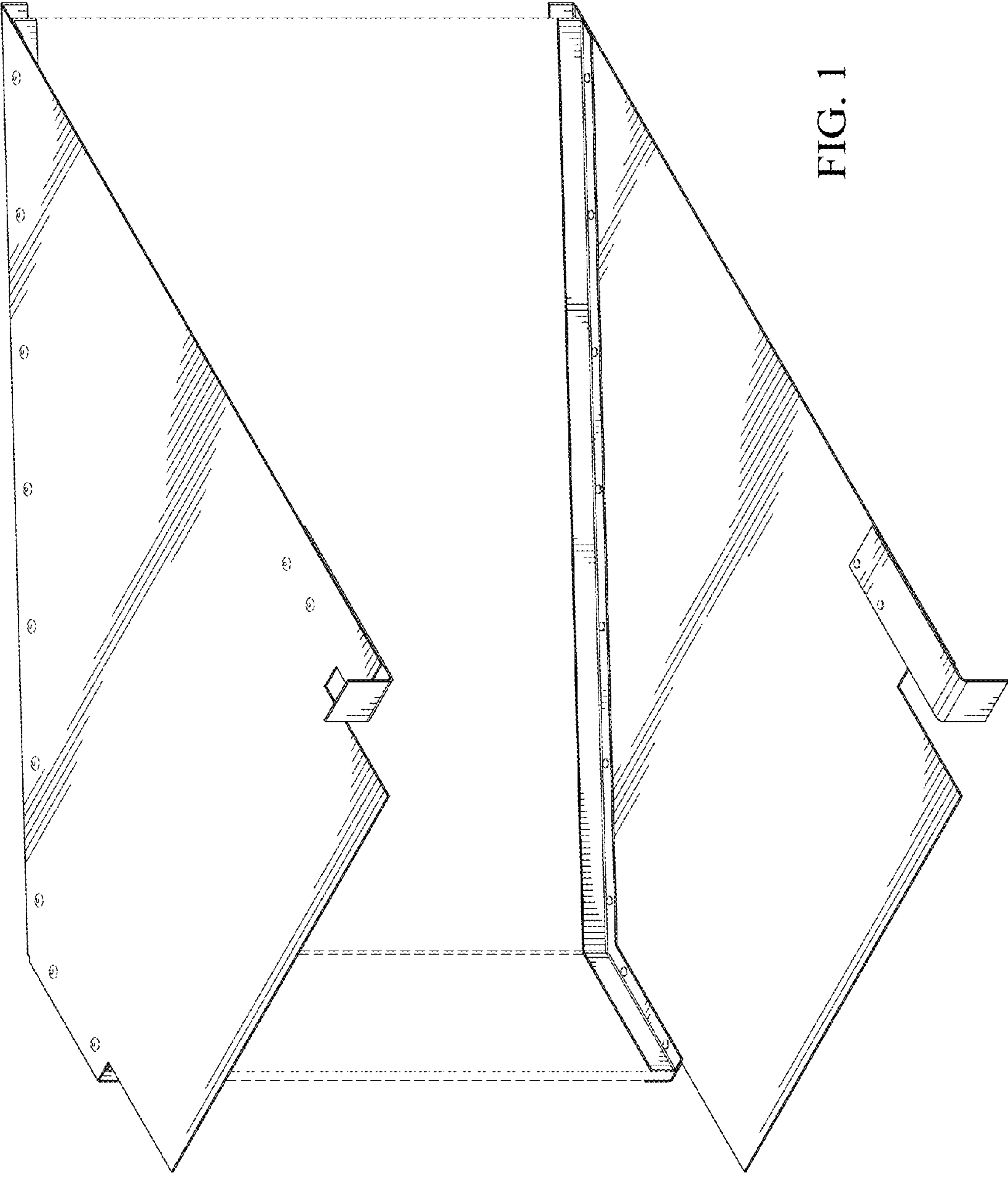


FIG. 1

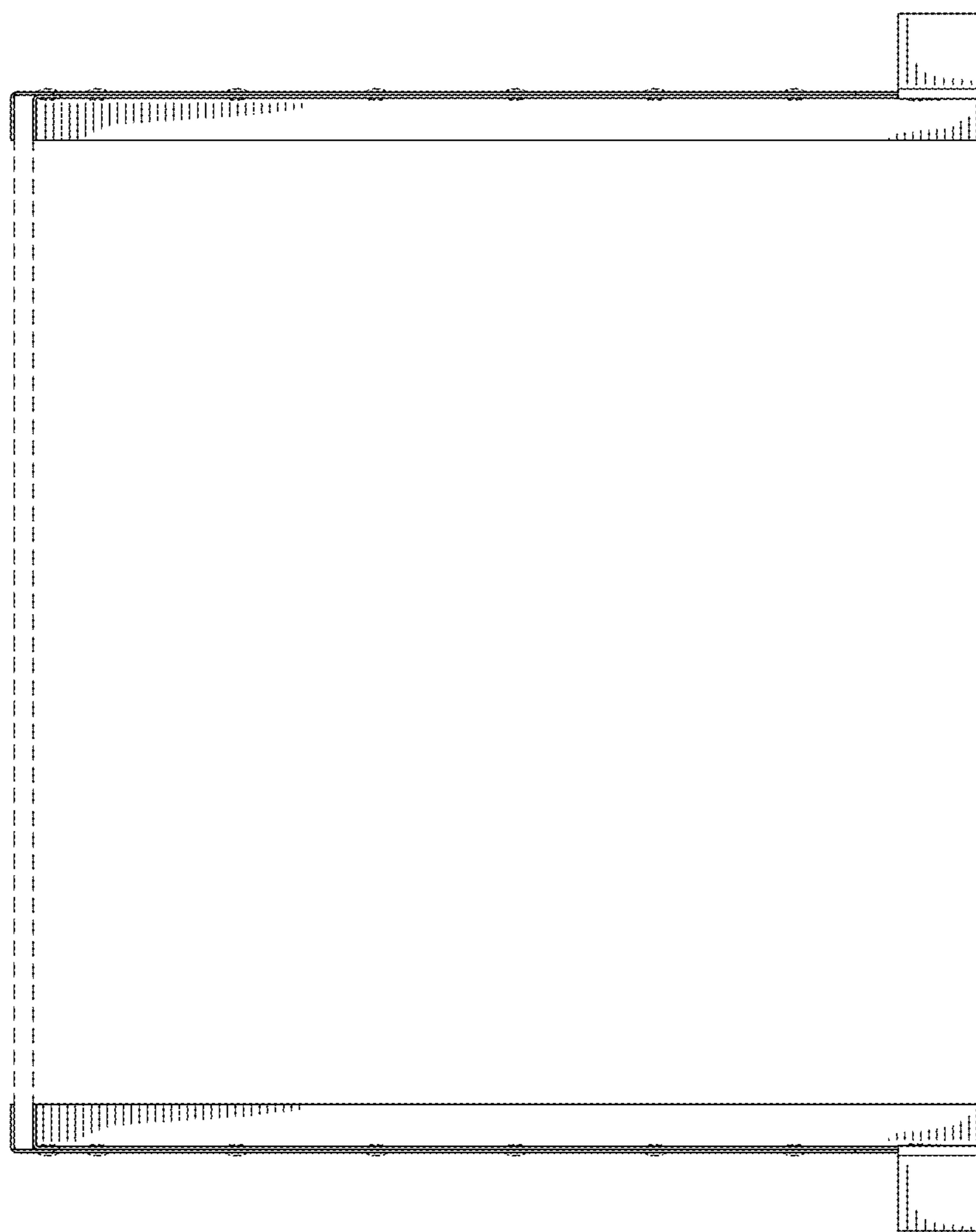


FIG. 2

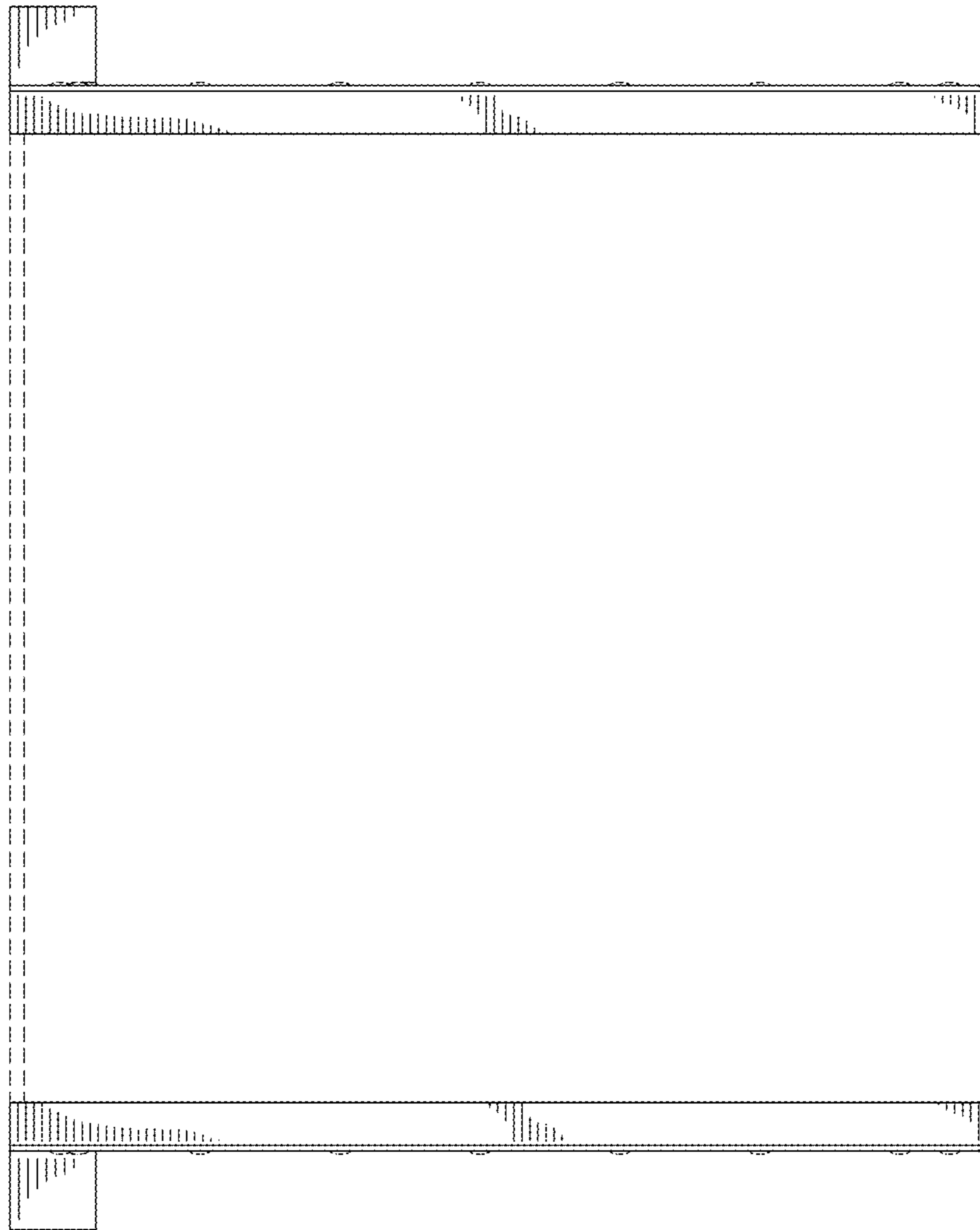


FIG. 3

FIG. 4

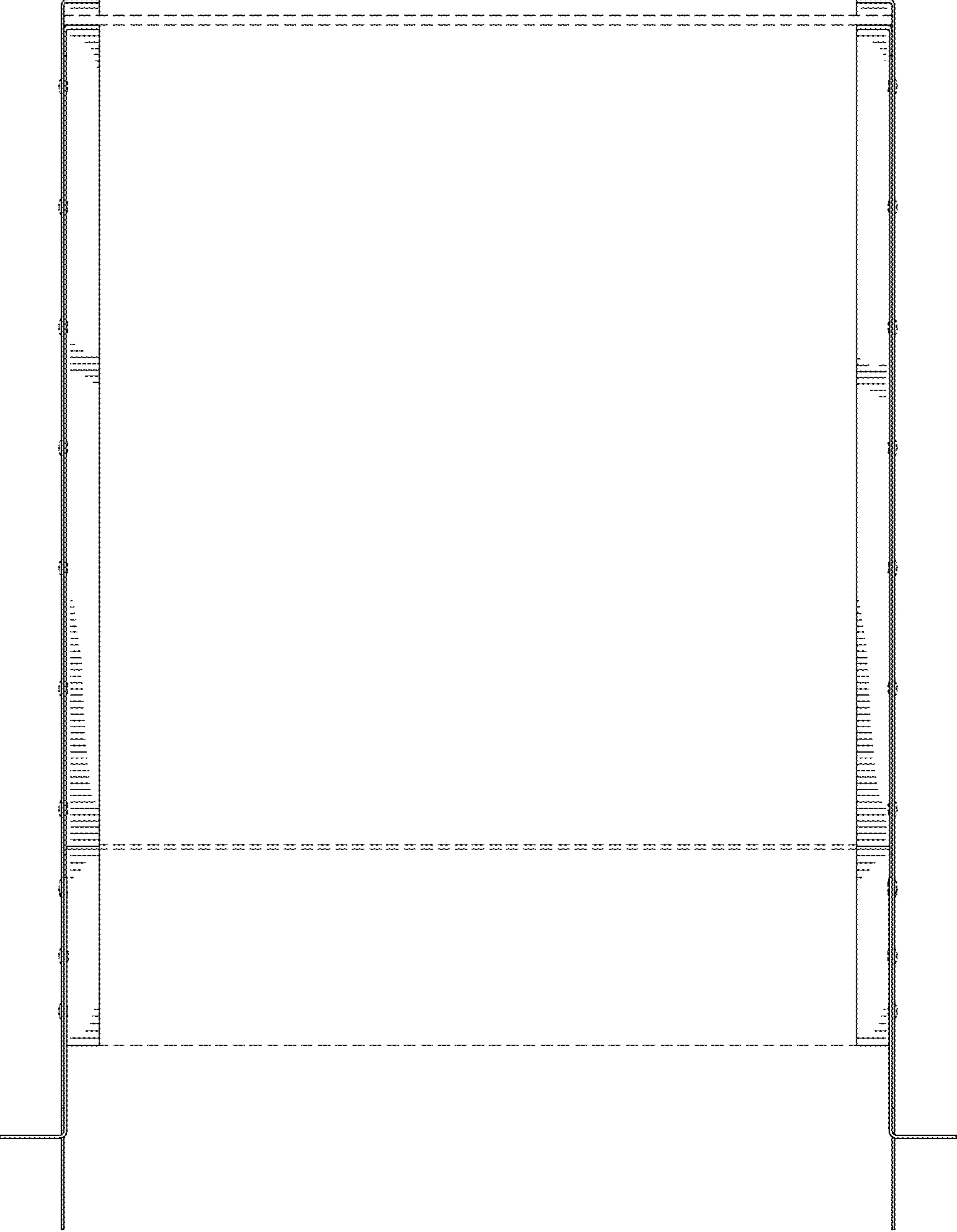
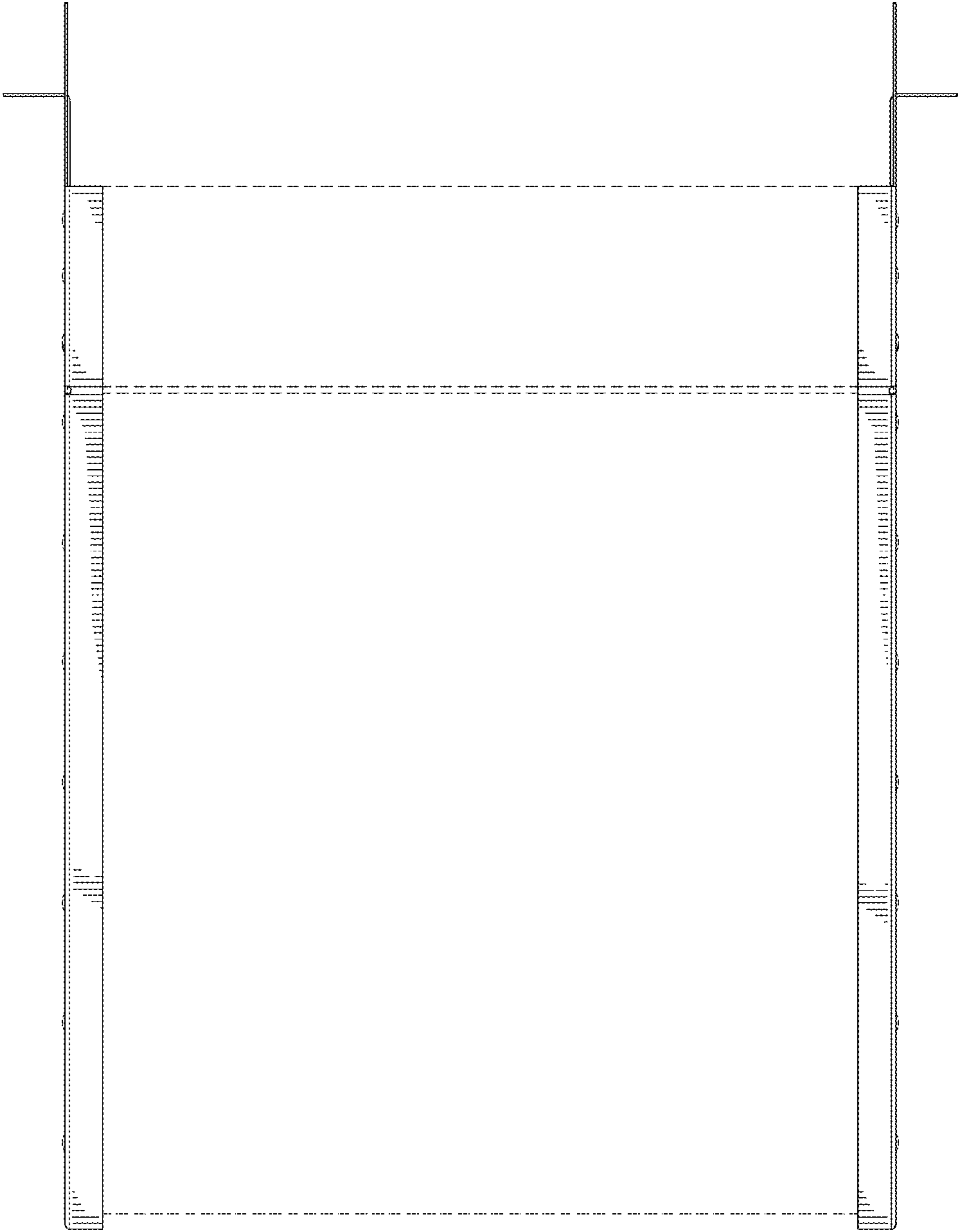


FIG. 5



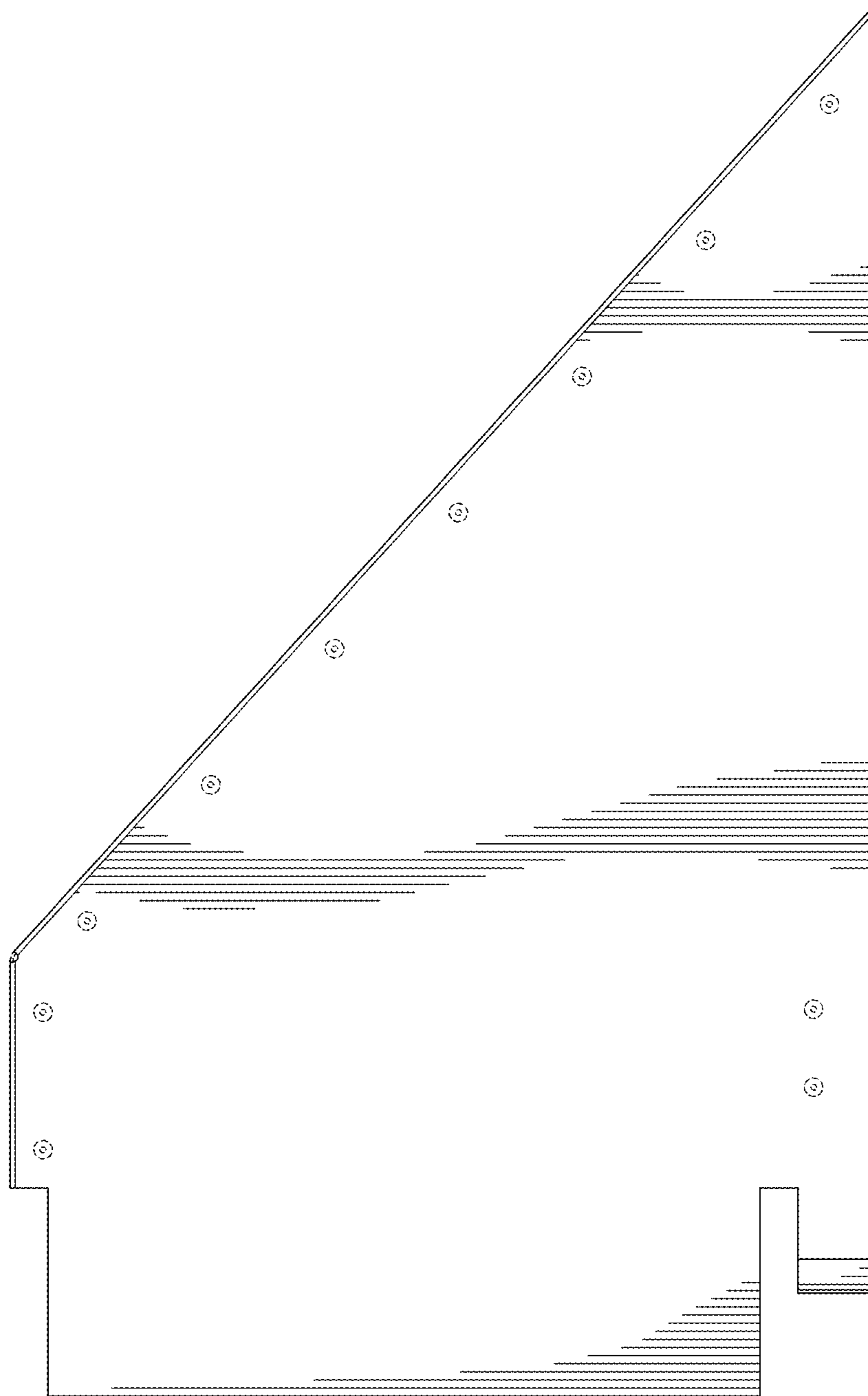
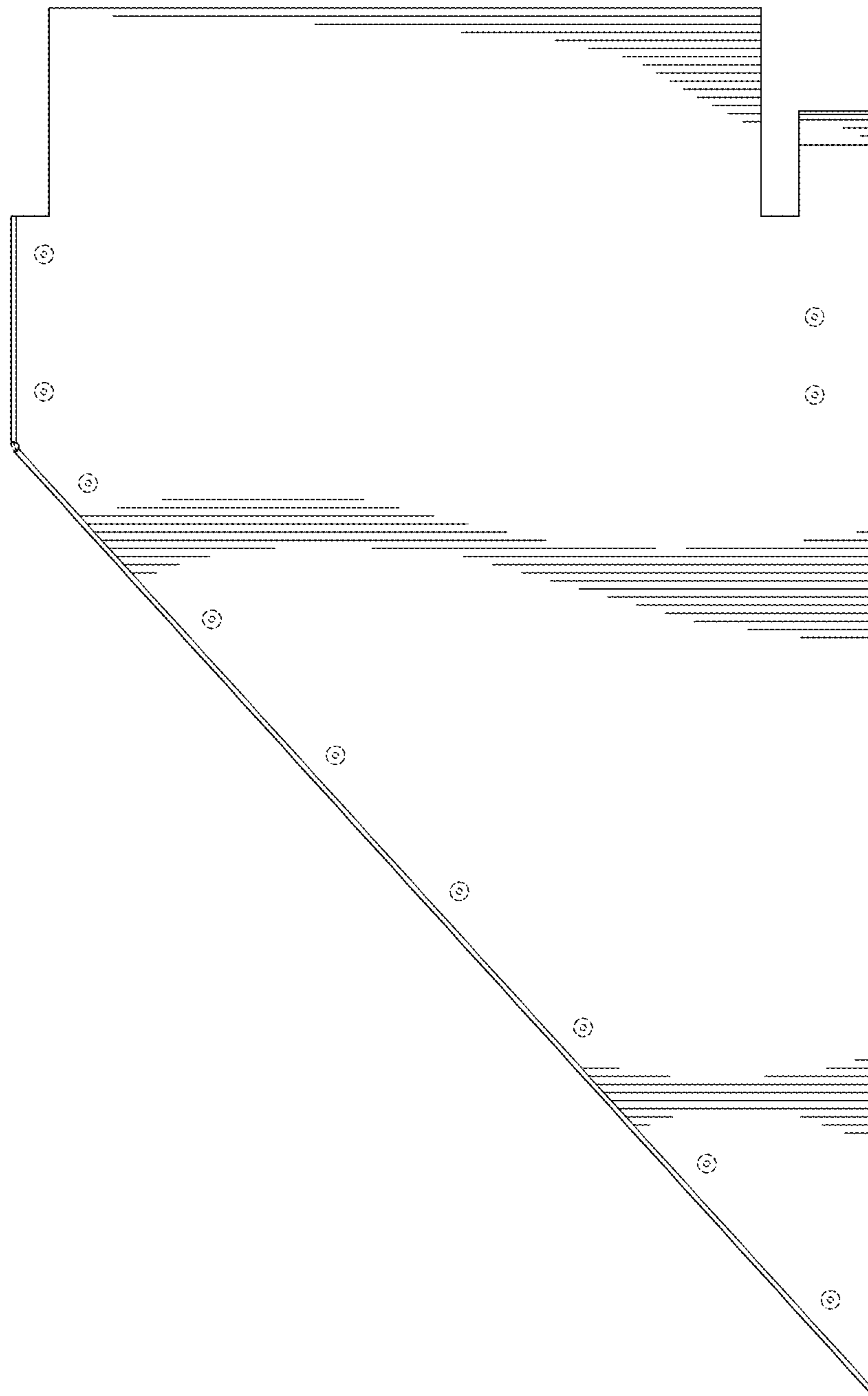


FIG. 6

FIG. 7





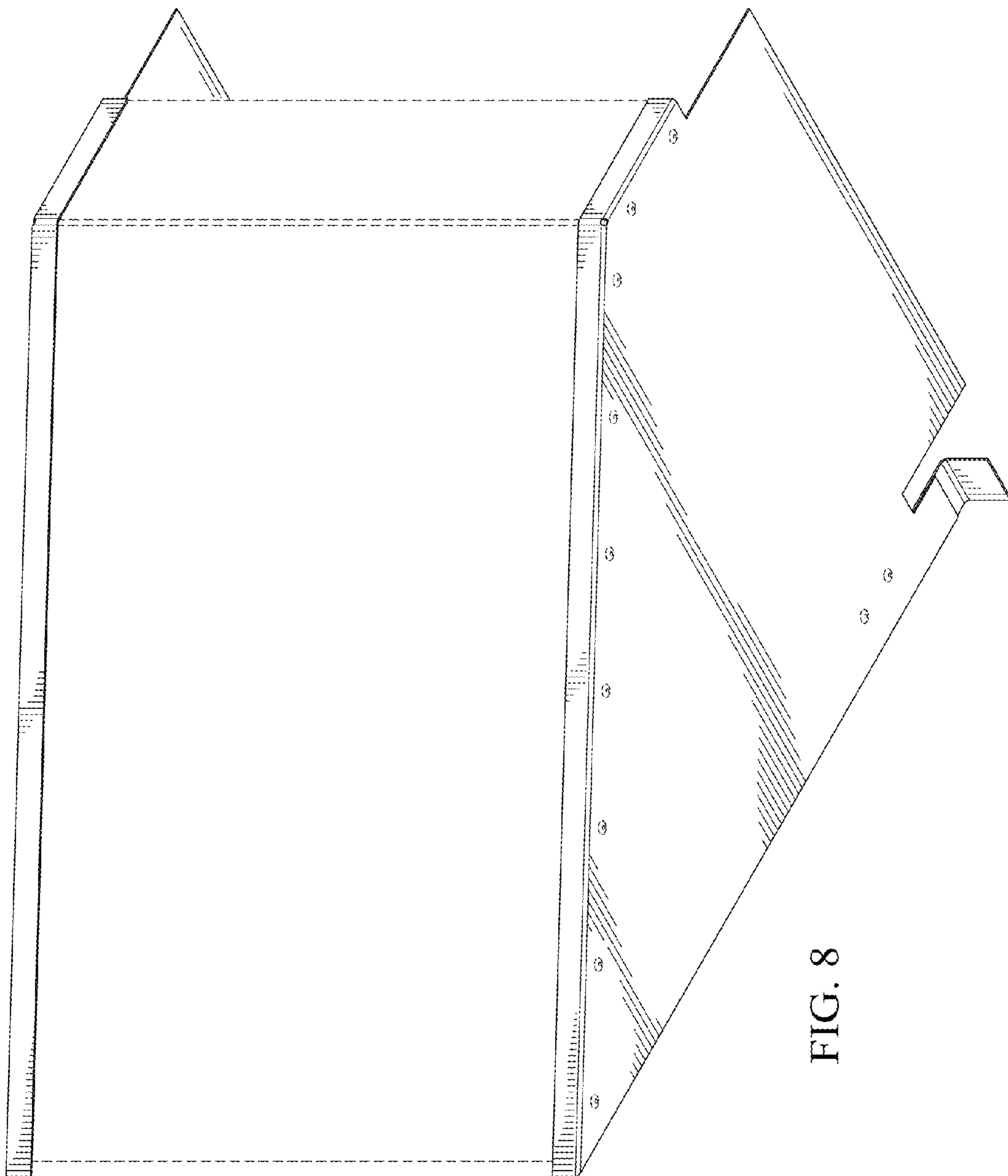


FIG. 8