



US00D705419S

(12) **United States Design Patent**
Leonard

(10) **Patent No.:** **US D705,419 S**

(45) **Date of Patent:** **** May 20, 2014**

(54) **ROOF VENT**

(71) Applicant: **Jonathan P. Leonard**, Cape Coral, FL
(US)

(72) Inventor: **Jonathan P. Leonard**, Cape Coral, FL
(US)

(**) Term: **14 Years**

(21) Appl. No.: **29/433,057**

(22) Filed: **Sep. 25, 2012**

Related U.S. Application Data

(63) Continuation-in-part of application No. 13/595,940,
filed on Aug. 27, 2012.

(51) **LOC (10) Cl.** **23-04**

(52) **U.S. Cl.**
USPC **D23/373**

(58) **Field of Classification Search**

USPC D23/370-394, 411-414, 365, 364, 328,
D23/314, 259; 415/60, 66, 68, 208.1, 213.1,
415/214.1; 310/257; 361/695; 126/299 D,
126/299 R; D26/51, 72, 73; D32/15, 16;
416/189; D13/179; 454/358-368;
D25/199; 285/13, 43, 44; 52/58, 219

See application file for complete search history.

(56) **References Cited**

U.S. PATENT DOCUMENTS

2,300,842	A *	11/1942	Leslie	454/366
2,447,472	A *	8/1948	Donley	454/366
D155,345	S *	9/1949	Johnson	D23/373
2,565,131	A *	8/1951	Johnson	454/366
2,741,972	A *	4/1956	Pryne	454/27
4,214,511	A *	7/1980	Mueller	454/182
4,480,534	A *	11/1984	Sloan	454/182
D304,367	S *	10/1989	Saas	D23/373
5,632,678	A *	5/1997	Doelfel	454/366
D391,632	S *	3/1998	Thomas	D23/393
D448,468	S *	9/2001	Koessler	D23/373
D675,719	S *	2/2013	Eicher	D23/373
2005/0233691	A1 *	10/2005	Horton	454/366

* cited by examiner

Primary Examiner — Susan Bennett Hattan

Assistant Examiner — Janice Hallmark

(74) *Attorney, Agent, or Firm* — Edward P. Dutkiewicz

(57) **CLAIM**

The ornamental design for a roof vent, as shown and described.

DESCRIPTION

FIG. 1 is a front elevational view of the roof vent showing my new design.

FIG. 2 is a rear elevational view view thereof;

FIG. 3 is a right side elevational view thereof;

FIG. 4 is a left side elevational view thereof; and,

FIG. 5 is a top plan view thereof.

1 Claim, 3 Drawing Sheets

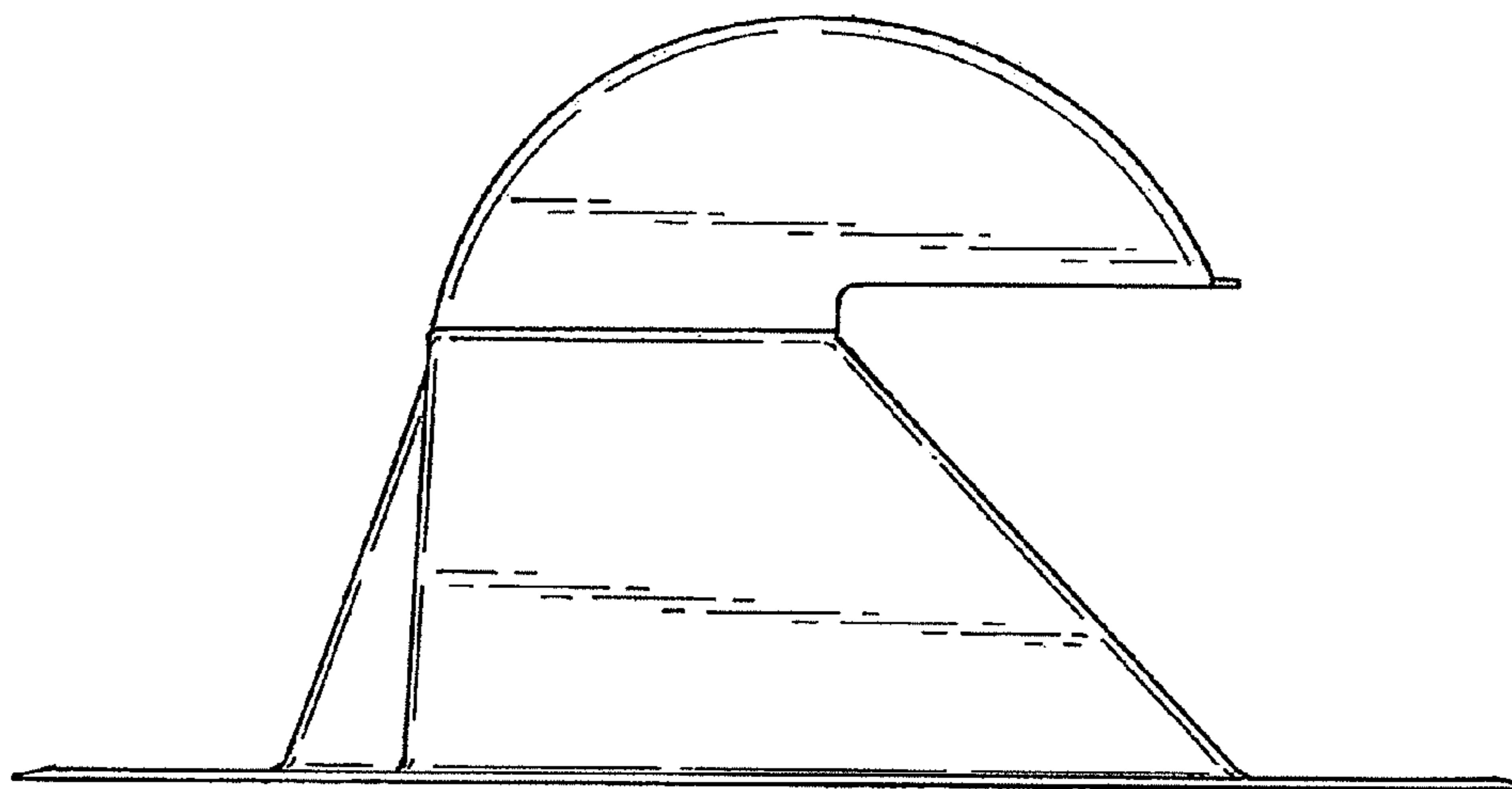


FIG. 1

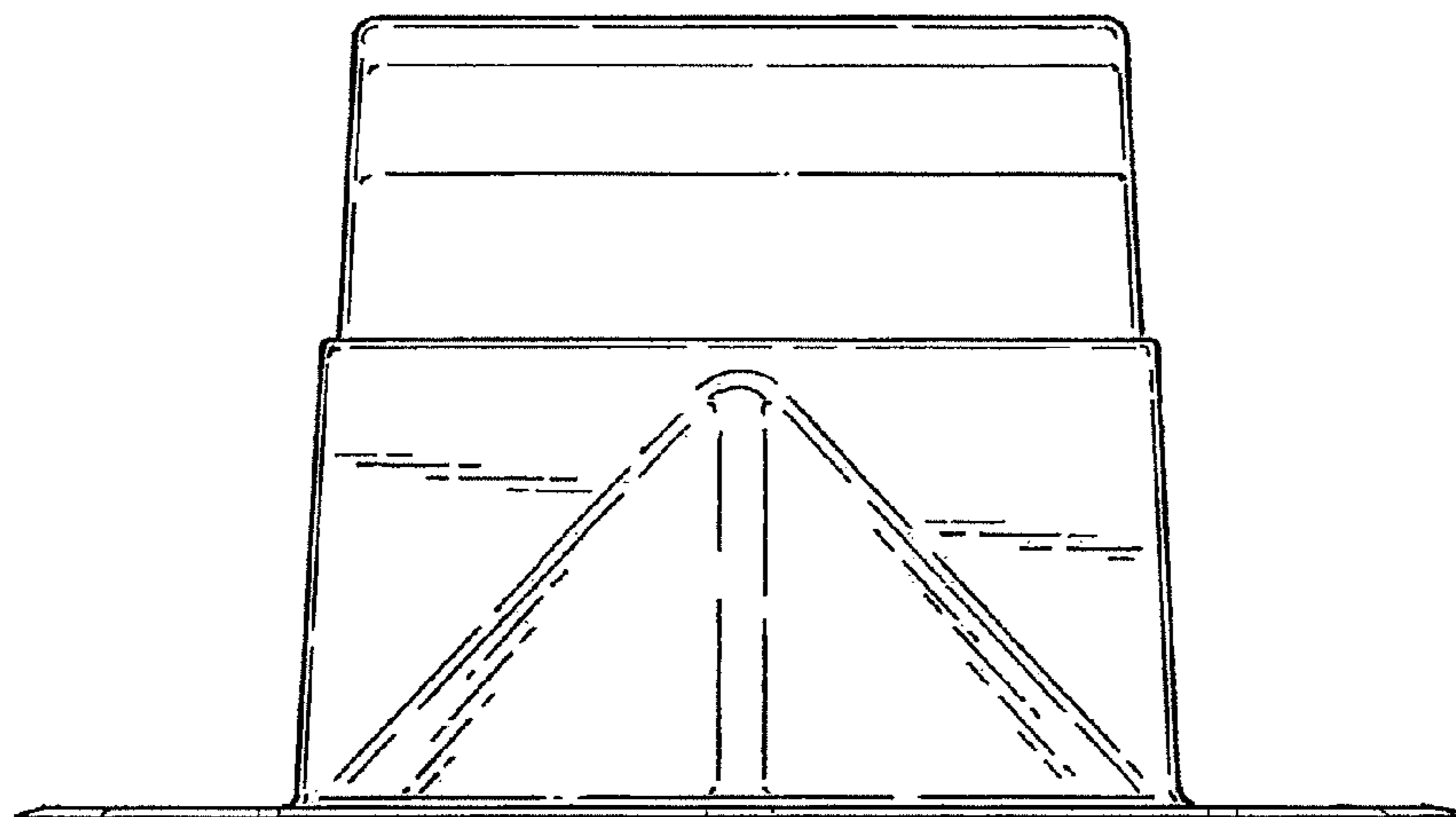
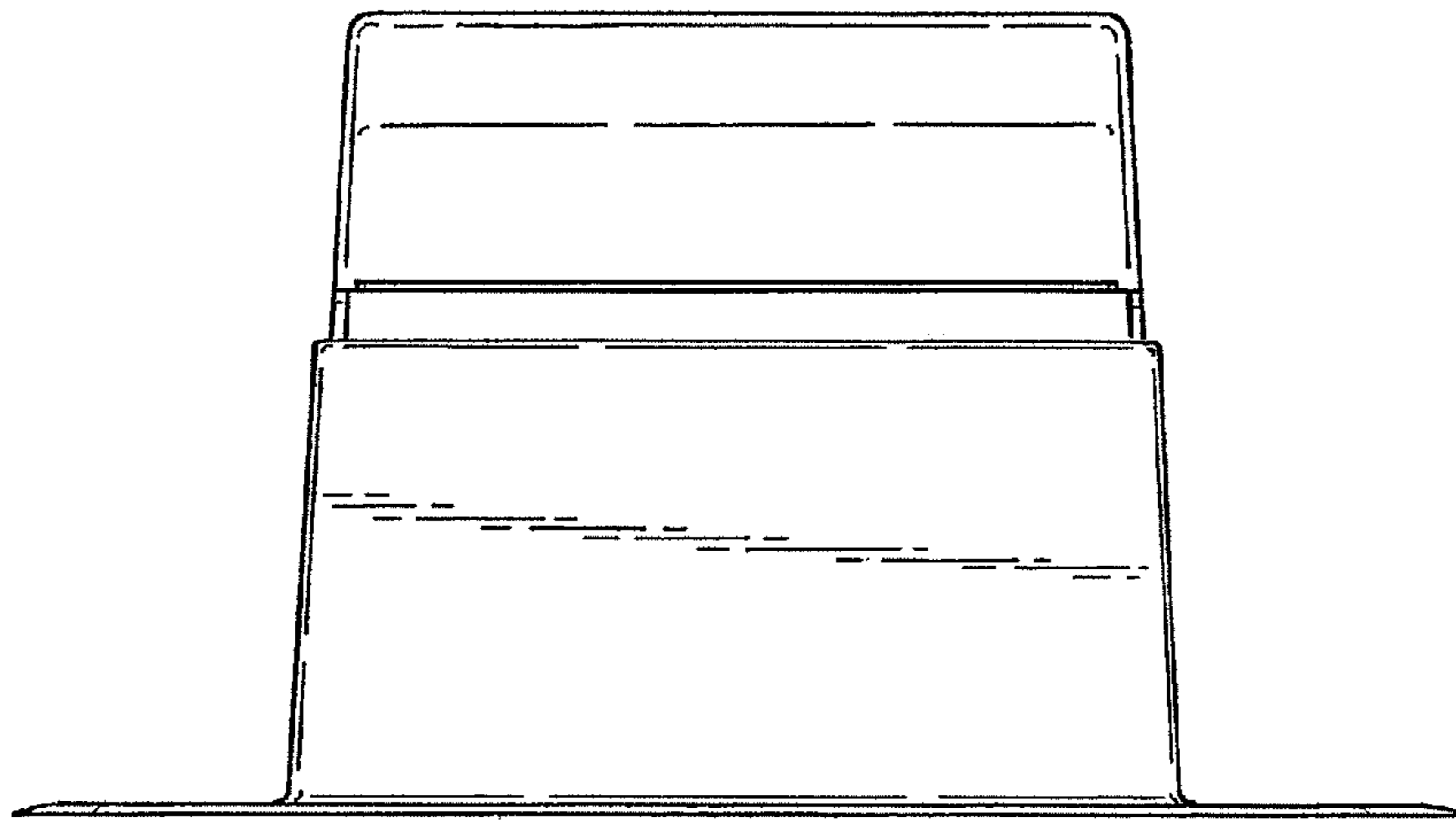


FIG. 2

FIG. 3

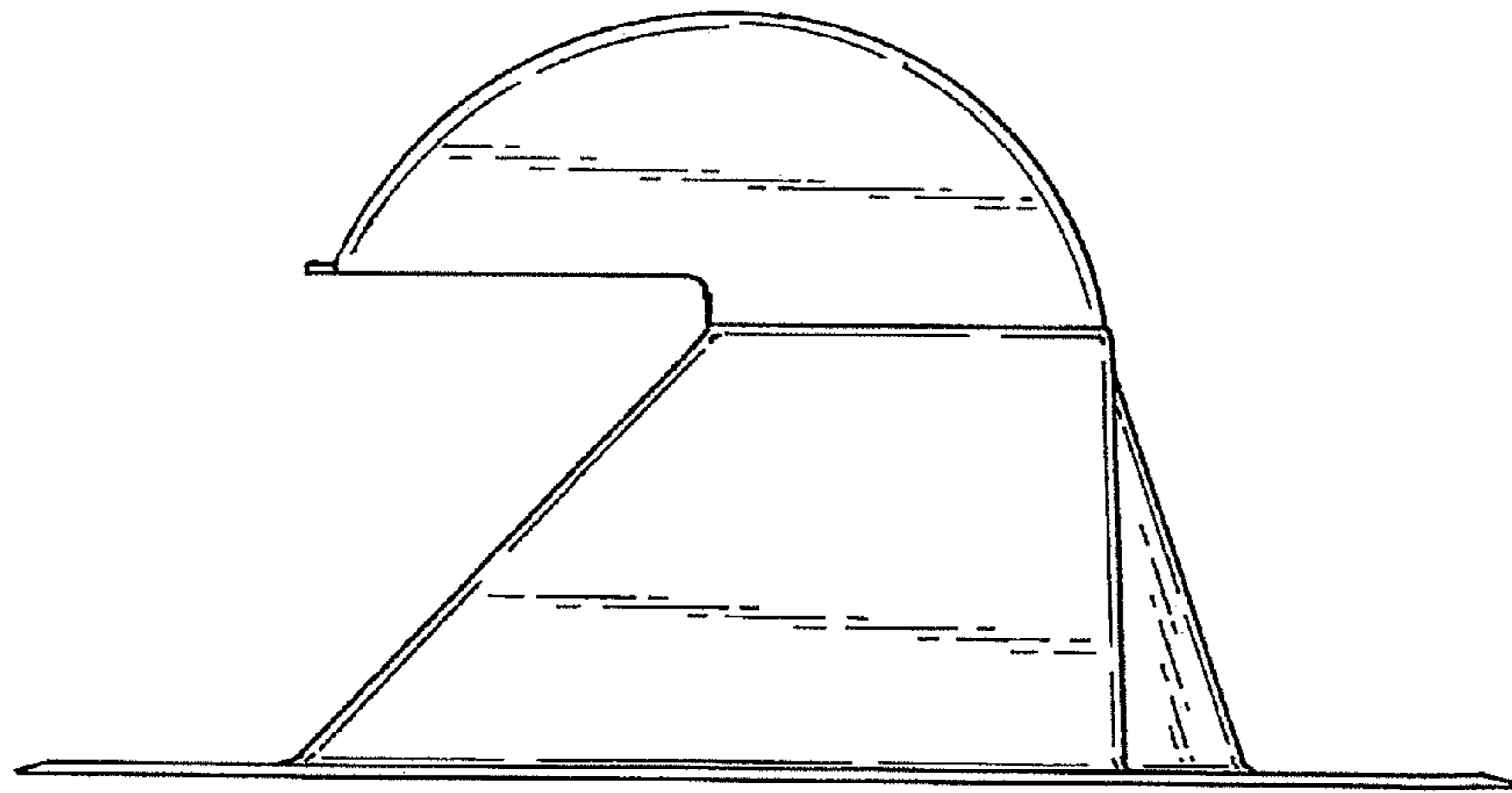
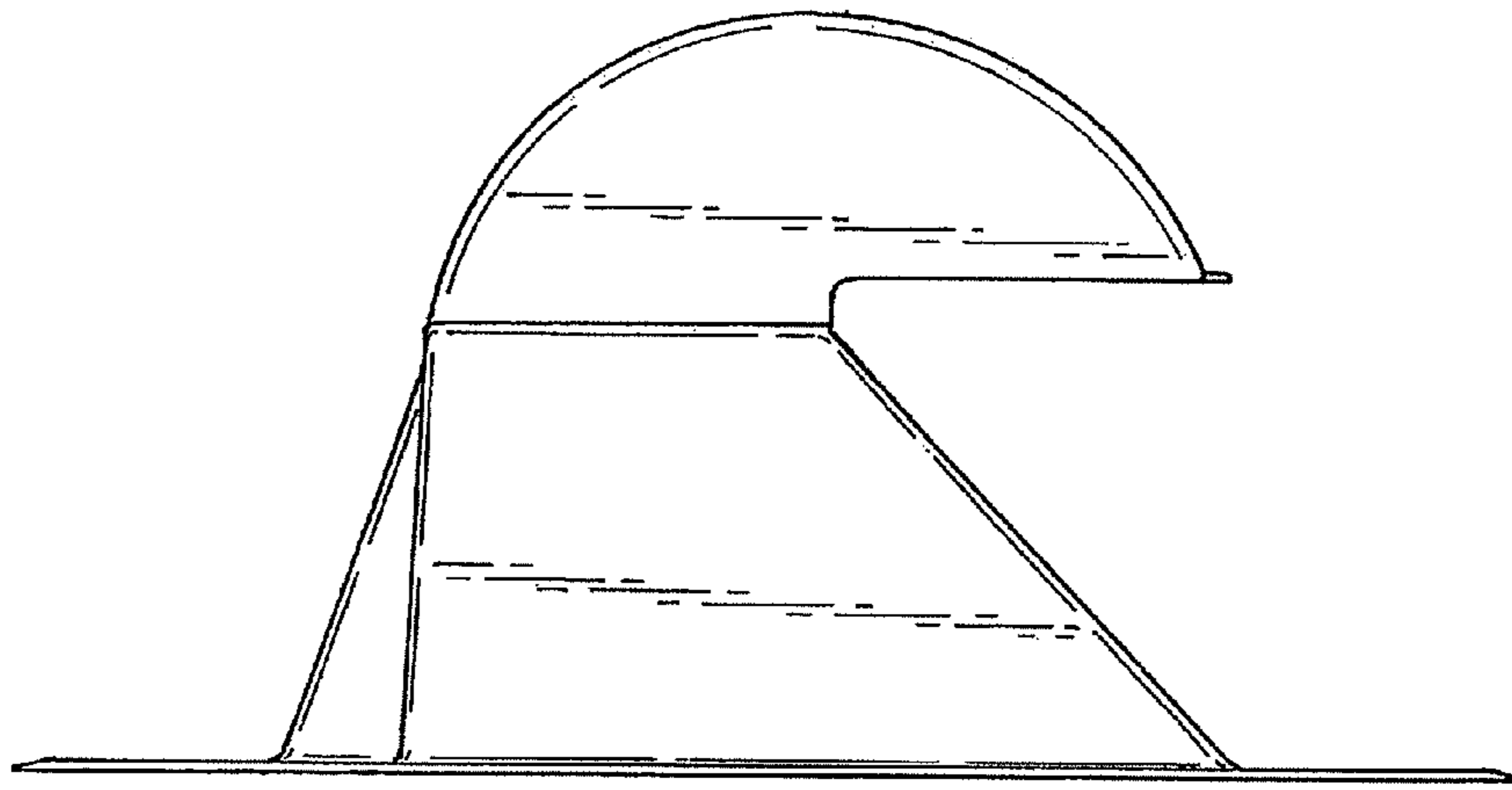


FIG. 4

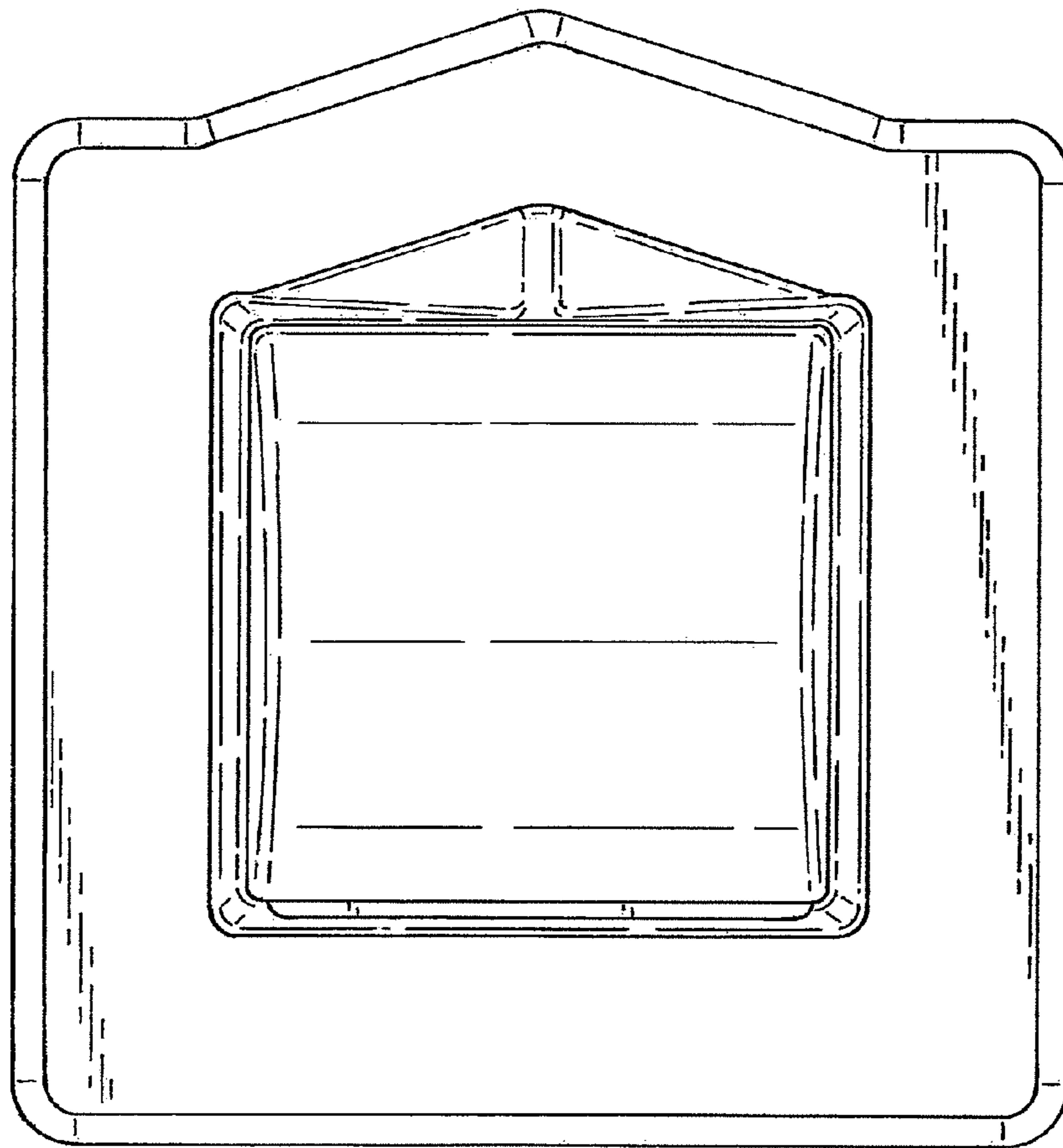


FIG. 5