



US00D705418S

(12) **United States Design Patent**
Proulx

(10) **Patent No.:** **US D705,418 S**

(45) **Date of Patent:** **** May 20, 2014**

(54) **STATIC ROOF VENTILATOR**

(76) Inventor: **Guy Proulx, Quebec (CA)**

(**) Term: **14 Years**

(21) Appl. No.: **29/422,061**

(22) Filed: **May 16, 2012**

(30) **Foreign Application Priority Data**

Nov. 25, 2011 (CA) 143368

(51) **LOC (10) Cl.** **23-04**

(52) **U.S. Cl.**
USPC **D23/373**

(58) **Field of Classification Search**
USPC D23/370-385, 411-414, 365, 364, 328,
D23/314, 386-394, 259; 415/60, 66, 68,
415/208.1, 213.1, 214.1; 310/257; 361/695;
126/299 D, 299 R; D26/51, 72, 73;
D32/15, 16; 416/189; D13/179;
454/358-368; D25/199; 285/13, 43,
285/44; 52/58, 219
See application file for complete search history.

(56) **References Cited**

U.S. PATENT DOCUMENTS

291,919 A * 1/1884 Matthews 454/38
3,083,633 A * 4/1963 Hochberg 454/366

D216,795 S * 3/1970 Field D23/373
D243,851 S * 3/1977 Felter D23/373
D320,847 S * 10/1991 Lanigan D23/371
5,655,964 A * 8/1997 Rheault et al. 454/368
D678,498 S * 3/2013 Proulx D23/373
2010/0056038 A1* 3/2010 Ramsay et al. 454/364

* cited by examiner

Primary Examiner — Susan Bennett Hattan

Assistant Examiner — Janice Hallmark

(74) *Attorney, Agent, or Firm* — Clark & Brody

(57) **CLAIM**

The ornamental design for a static roof ventilator, as shown and described.

DESCRIPTION

FIG. 1 is a perspective view of a static roof ventilator, showing my new design;
FIG. 2 is a front view thereof;
FIG. 3 is a rear view thereof;
FIG. 4 is a right side view thereof;
FIG. 5 is a left side view thereof;
FIG. 6 is a top view thereof; and,
FIG. 7 is a bottom view thereof.

The broken lines in the drawing depict environmental subject matter only and form no part of the claimed design.

1 Claim, 7 Drawing Sheets

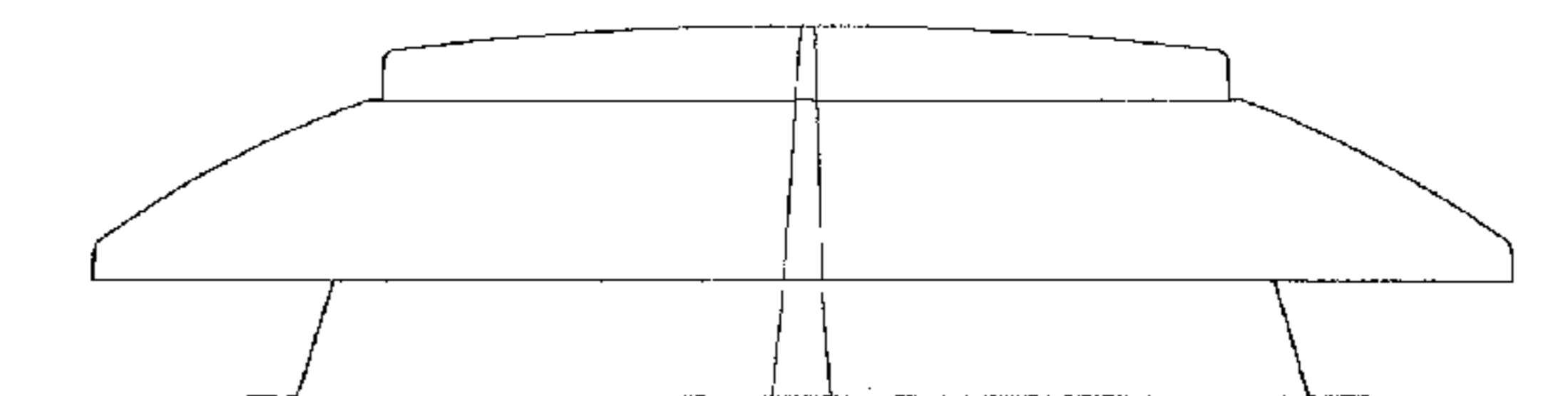
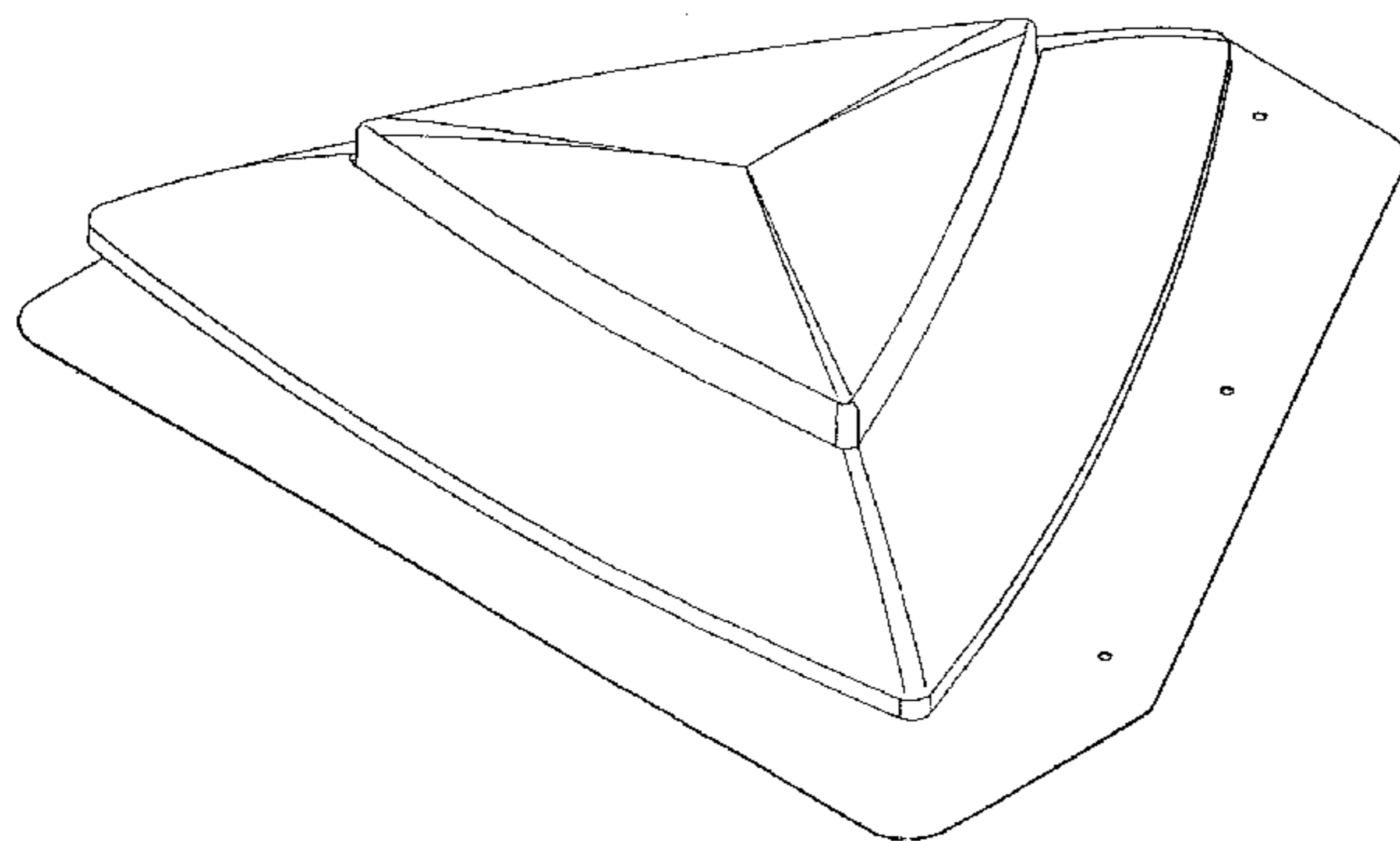


Fig. 1

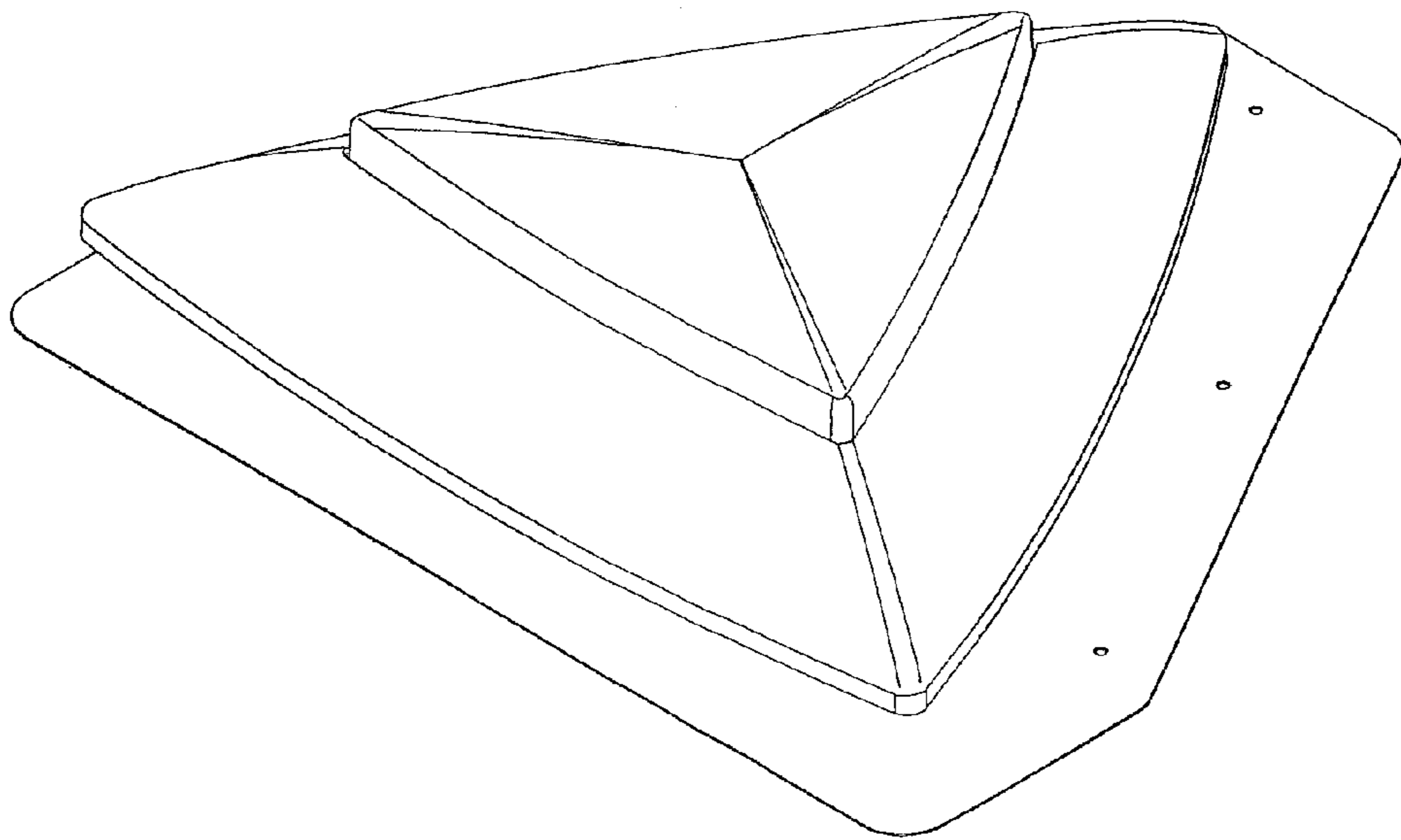


Fig. 2

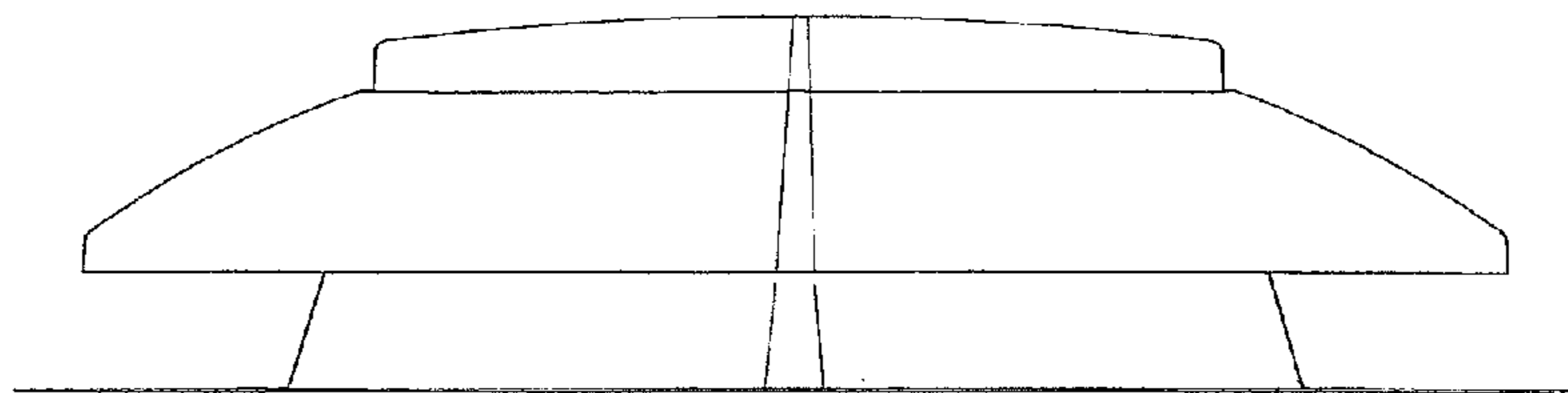


Fig. 3

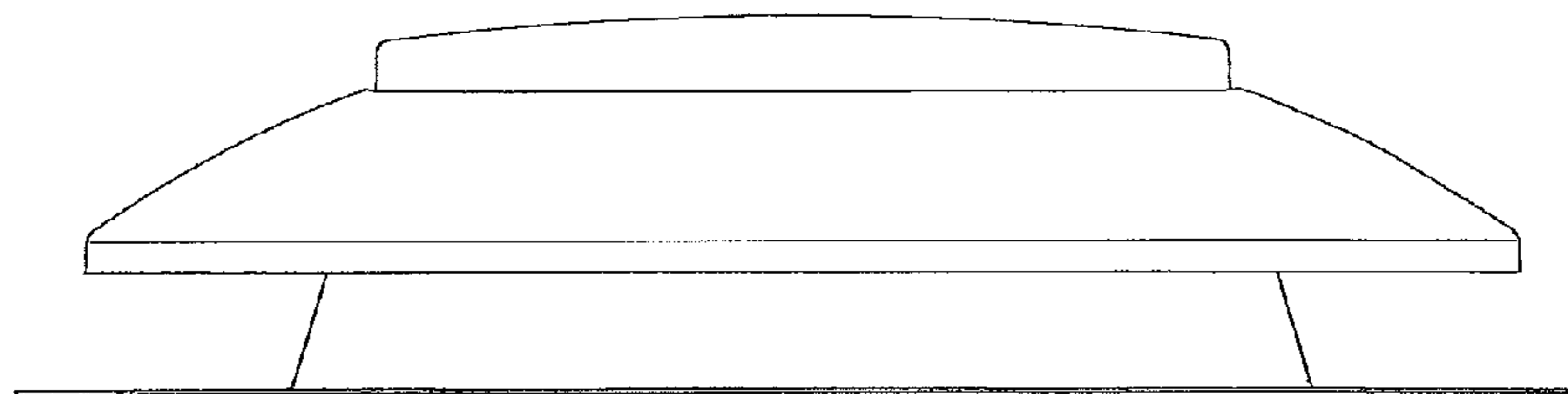


Fig. 4

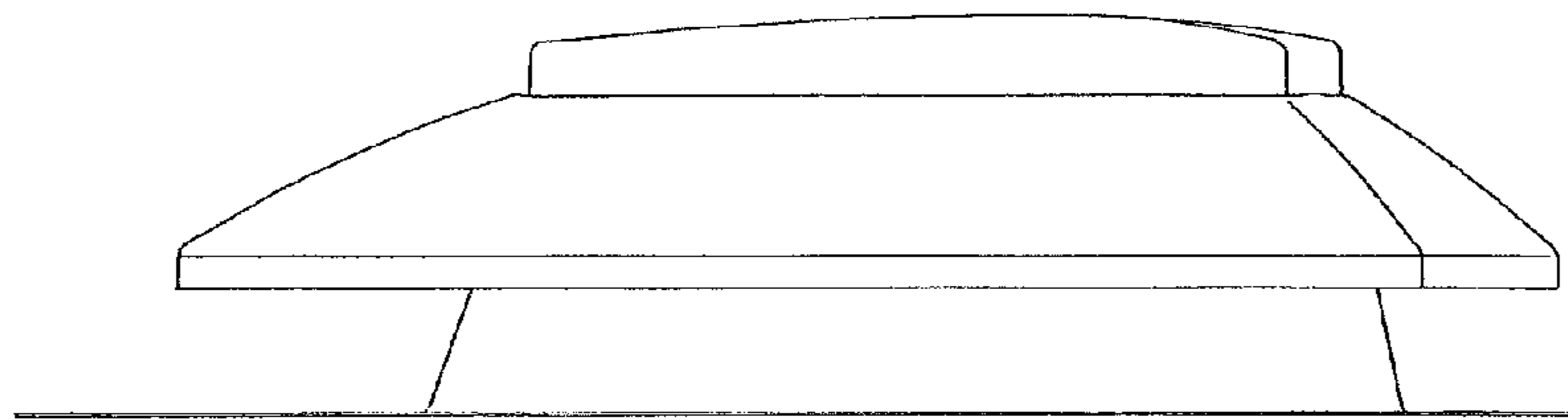


Fig. 5

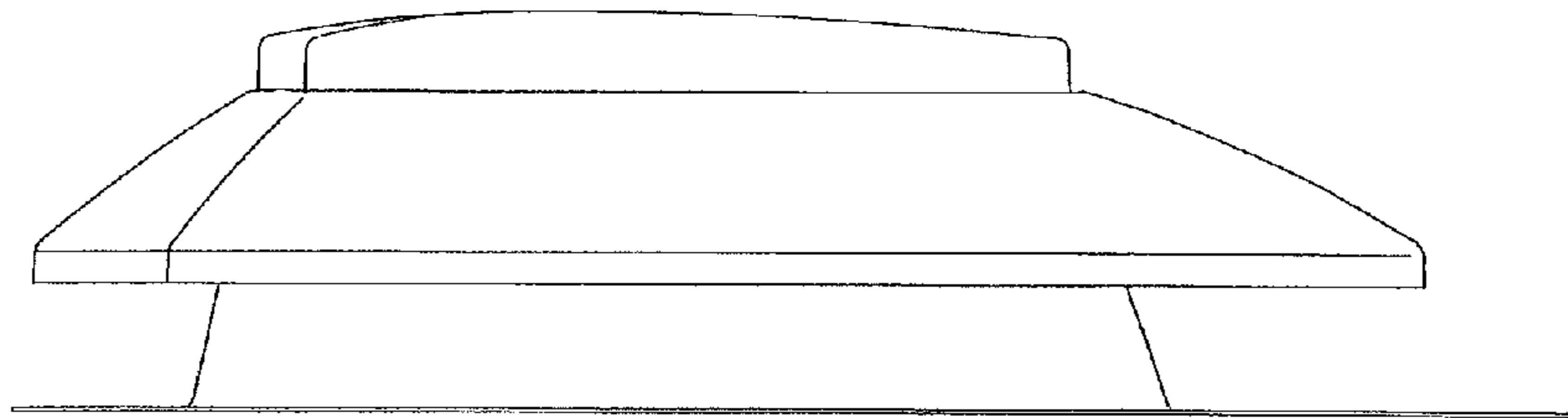


Fig. 6

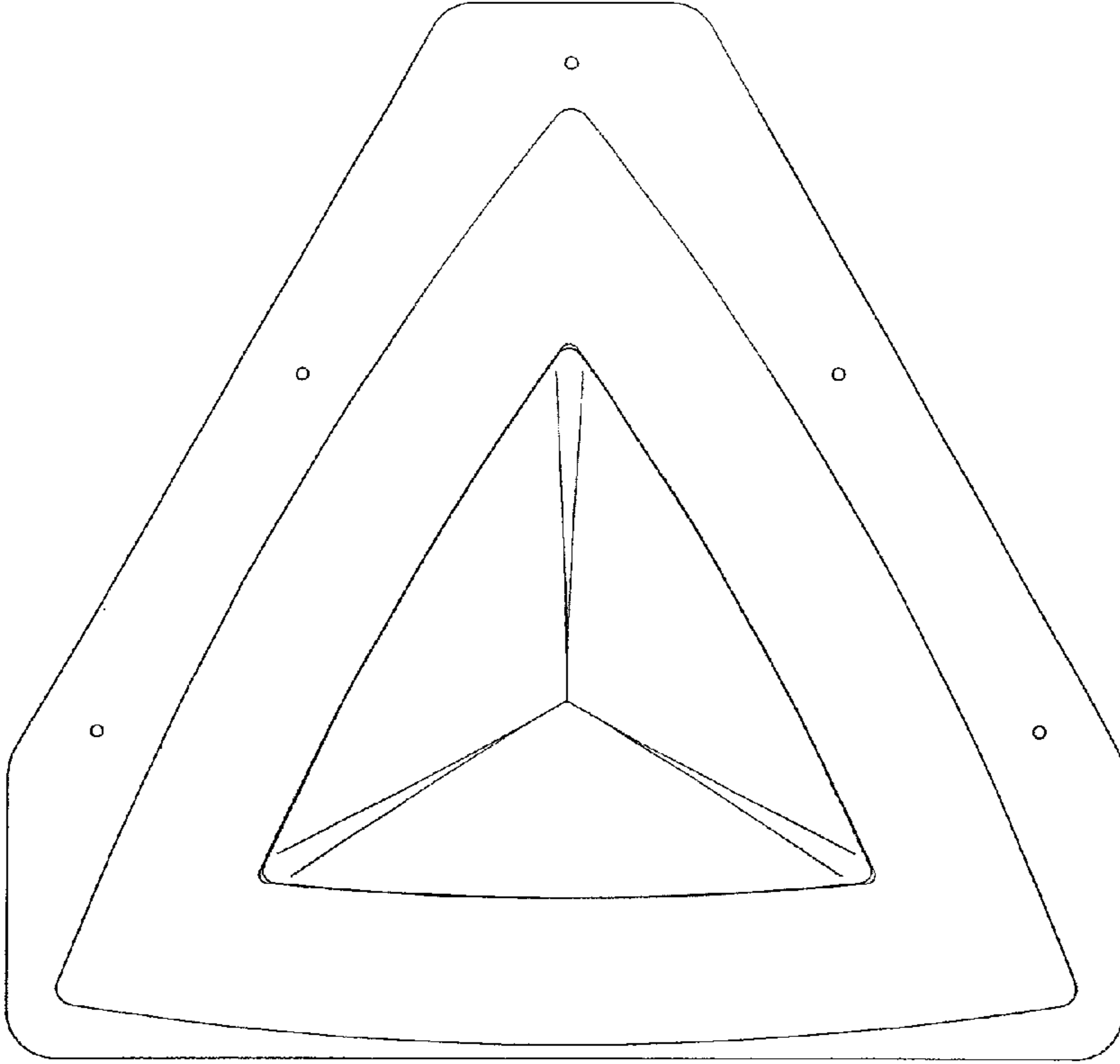


Fig. 7

