



US00D705416S

(12) **United States Design Patent**
Bisla et al.

(10) **Patent No.:** **US D705,416 S**

(45) **Date of Patent:** **** *May 20, 2014**

- (54) **NOVELTY SPORTS FAN**
- (71) Applicants: **Jagdip S. Bisla**, Fresno, CA (US);
Robby Chima, Fresno, CA (US)
- (72) Inventors: **Jagdip S. Bisla**, Fresno, CA (US);
Robby Chima, Fresno, CA (US)
- (73) Assignee: **Jagdip S. Bisla**, Fresno, CA (US)
- (*) Notice: This patent is subject to a terminal disclaimer.
- (**) Term: **14 Years**
- (21) Appl. No.: **29/465,085**
- (22) Filed: **Aug. 23, 2013**

D292,823 S *	11/1987	St. Clair	D23/382
D320,476 S *	10/1991	Mele	D29/103
D341,878 S *	11/1993	Cich, Jr.	D23/335
D373,185 S *	8/1996	Tseng	D23/377
D376,641 S *	12/1996	Bucher	D23/377
D379,222 S *	5/1997	Kuo	D23/411
D382,953 S *	8/1997	Kuo	D23/377
D390,649 S *	2/1998	Pearce et al.	D23/377
D392,844 S *	3/1998	Todorya	D7/606
D398,386 S *	9/1998	Chan	D23/324
D400,668 S *	11/1998	Bloom	D23/379
D417,496 S *	12/1999	Chang et al.	D23/377
D420,733 S *	2/2000	Chen	D23/377
D421,762 S *	3/2000	Shirley et al.	D16/227
D425,367 S *	5/2000	Cragg	D7/402
D428,133 S *	7/2000	Chen	D23/411
D428,649 S *	7/2000	Chen	D23/411
D456,885 S *	5/2002	Schmitt	D23/328
D463,542 S *	9/2002	Marchiano et al.	D23/382
D465,381 S *	11/2002	Favela	D7/334
D465,694 S *	11/2002	Favela	D7/334
D465,840 S *	11/2002	Marchiano et al.	D23/382

(Continued)

Related U.S. Application Data

- (62) Division of application No. 29/416,828, filed on Mar. 27, 2012.
- (51) **LOC (10) Cl.** **23-04**
- (52) **U.S. Cl.**
USPC **D23/370; D23/381**
- (58) **Field of Classification Search**
USPC D23/314, 324, 328, 332, 335, 342, 355,
D23/370, 377, 379, 381, 386, 411, 412, 413,
D23/414, 378, 382; D7/334, 335, 402, 606,
D7/901; D14/480.2; D16/227; D21/710,
D21/712, 713; D29/103; 415/90, 121.2,
415/181, 182.1, 208.2, 211.2; 416/110,
416/206, 240, 244 R, 246, 247 R
See application file for complete search history.

Primary Examiner — Caron D Veynar
Assistant Examiner — Martie K Holtje
 (74) *Attorney, Agent, or Firm* — Blue Capital Law Firm, P.C.

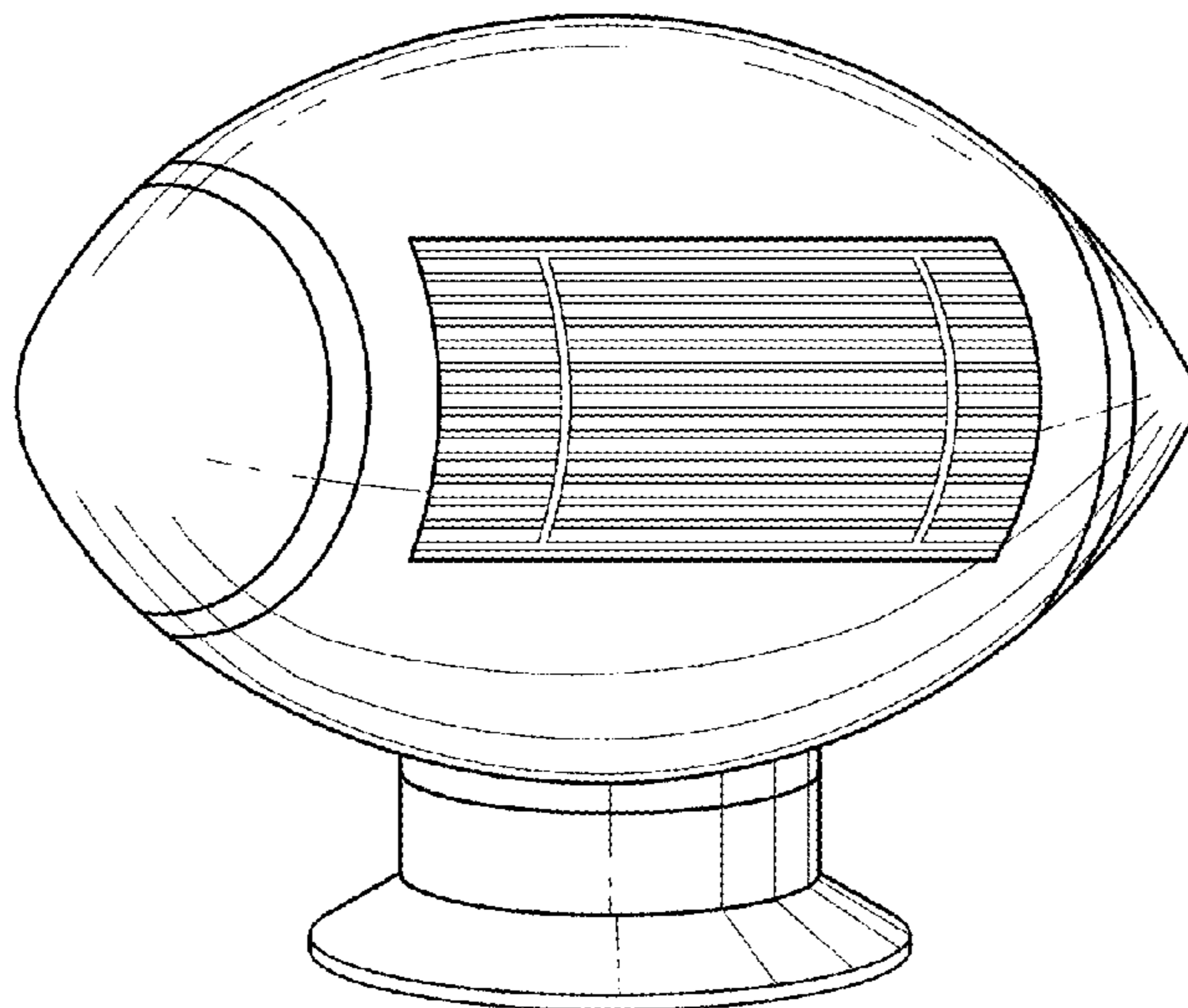
(57) **CLAIM**
 The ornamental design for a novelty sports fan, as shown and described.

DESCRIPTION

FIG. 1 is a perspective view of a novelty sports fan showing our new design;
 FIG. 2 is a side elevational view thereof;
 FIG. 3 is a front elevational view thereof; and,
 FIG. 4 is a rear elevational view thereof.
 The broken line showing of the structural elements in FIGS. 2 and 4 has been provided for the purpose of illustrating portions of the claimed novelty sports fan that form no part of the claimed design.

- (56) **References Cited**
 U.S. PATENT DOCUMENTS
 3,624,939 A * 12/1971 Gossard 40/721
 4,164,284 A * 8/1979 Witt et al. 206/217

1 Claim, 2 Drawing Sheets



US D705,416 S

Page 2

(56)

References Cited

U.S. PATENT DOCUMENTS

D465,962 S * 11/2002 Favela D7/335
D482,437 S * 11/2003 Marchiano et al. D23/382
D523,858 S * 6/2006 Landau D14/480.2

D561,852 S * 2/2008 Frey D21/710
D665,040 S * 8/2012 Lowinger D21/712
2010/0062883 A1* 3/2010 Bevier et al. 473/597

* cited by examiner

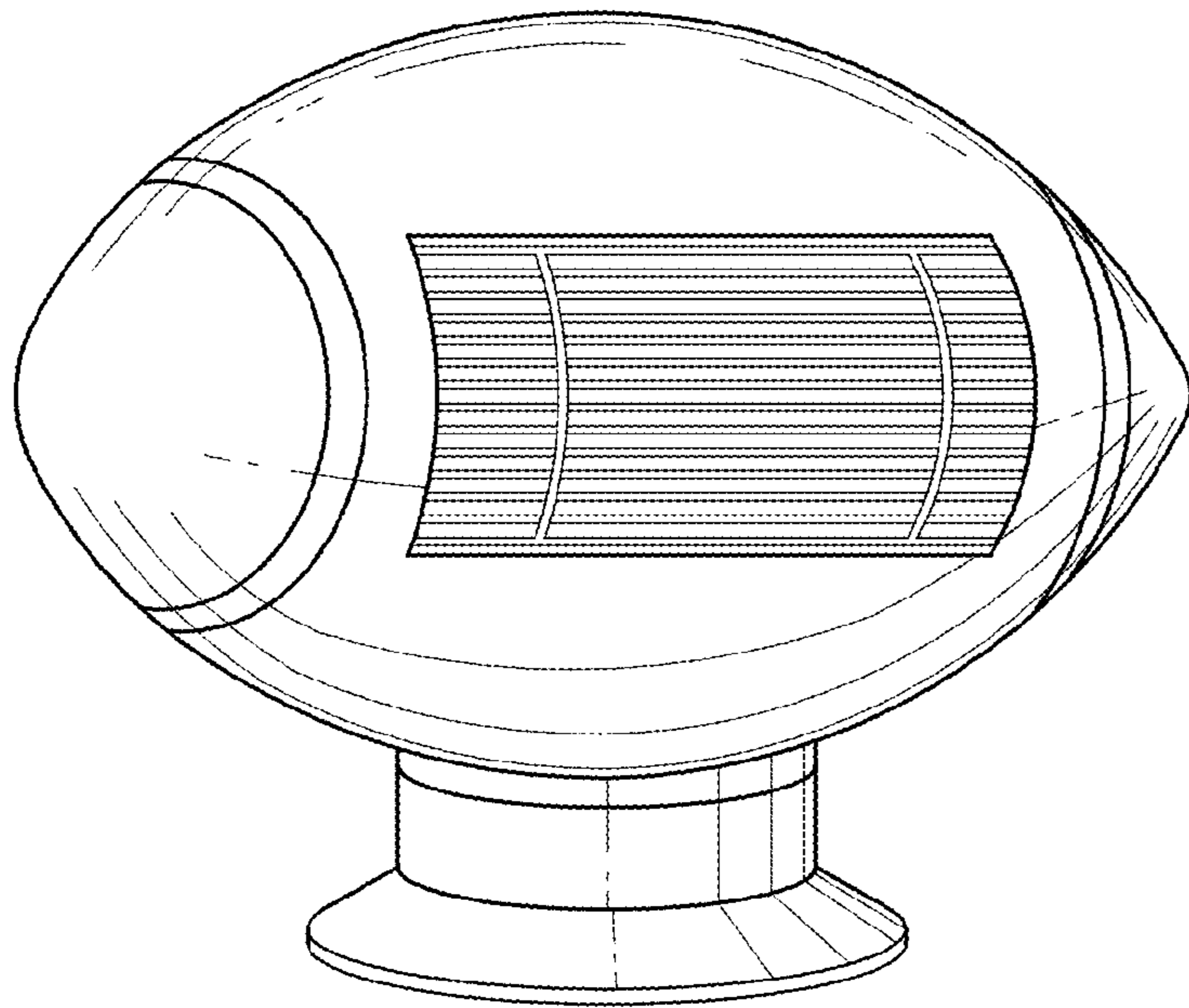


FIG. 1

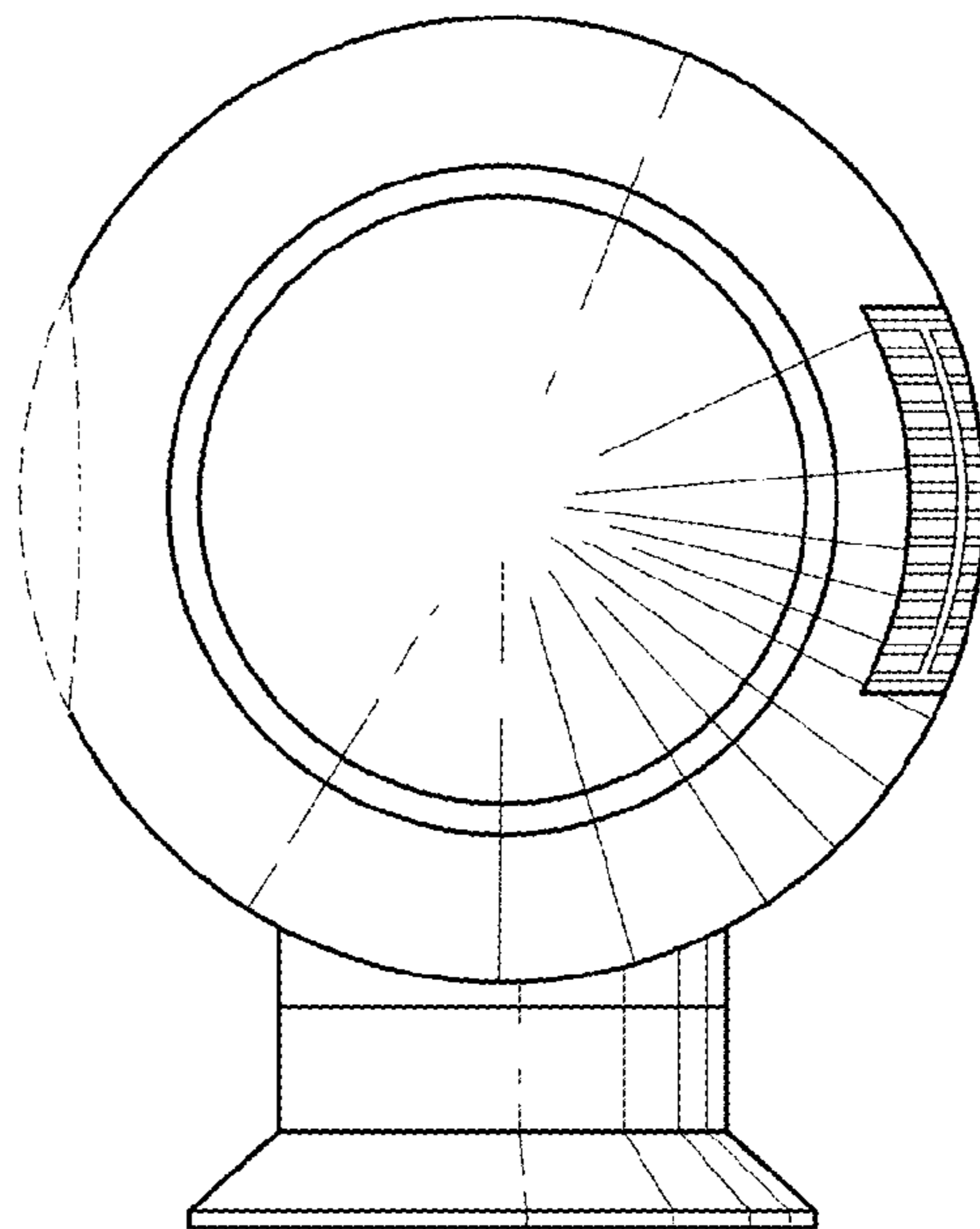


FIG. 2

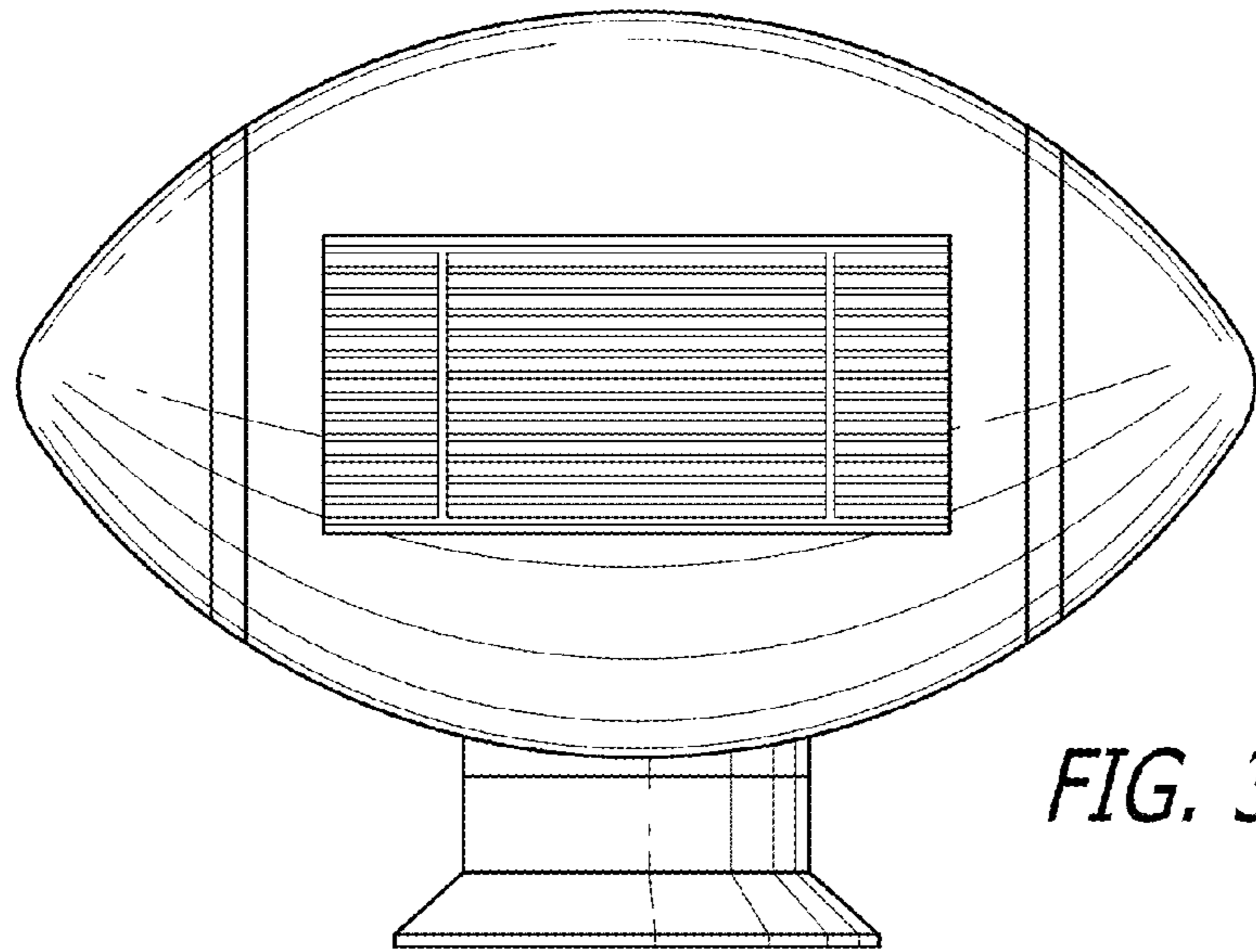


FIG. 3

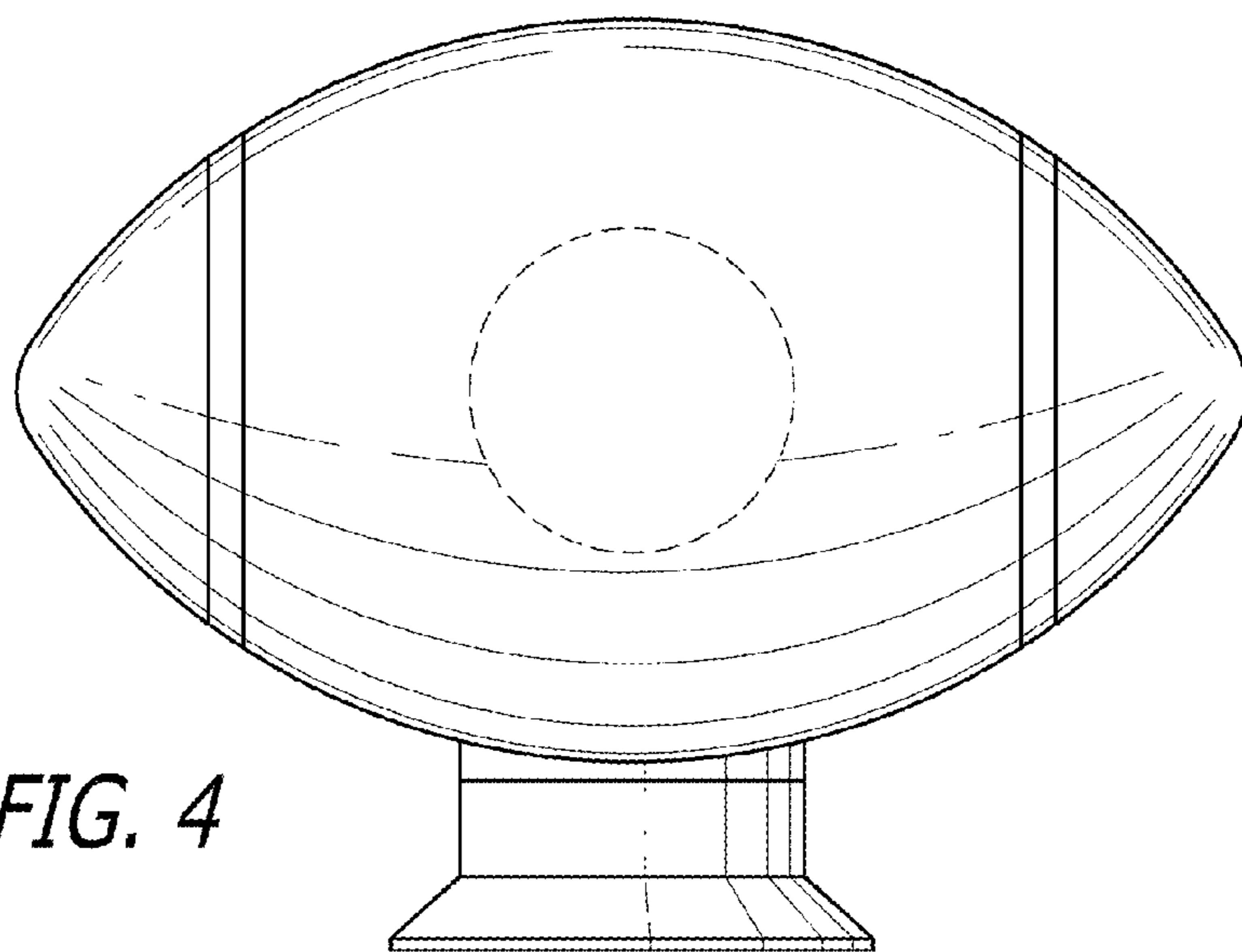


FIG. 4