



US00D705413S

(12) **United States Design Patent**  
**Marchetti et al.**

(10) **Patent No.:** **US D705,413 S**

(45) **Date of Patent:** **\*\* May 20, 2014**

(54) **AIR FRESHENER**

(71) Applicant: **Zobe Holding S.p.A.**, Trento (IT)

(72) Inventors: **Fabio Marchetti**, Trento (IT); **Ricard Tomas Vilarasa**, Trento (IT); **Yuri Gardumi**, Trento (IT); **Marco Garbusi**, Trento (IT)

(73) Assignee: **Zobe Holdings S.p.A.**, Trento (IT)

(\*\*) Term: **14 Years**

(21) Appl. No.: **29/471,875**

(22) Filed: **Nov. 6, 2013**

(30) **Foreign Application Priority Data**

May 6, 2013 (EM) ..... 002232777-0004

(51) **LOC (10) Cl.** ..... **28-99**

(52) **U.S. Cl.**  
USPC ..... **D23/366**

(58) **Field of Classification Search**  
USPC ..... D23/355-369; D28/5, 6; 261/DIG. 17, 261/DIG. 42, DIG. 65, DIG. 88, DIG. 89; 392/386, 390, 394, 395; 239/34, 44, 239/53, 55, 56, 326; D26/14, 17, 98, 9, 22, D26/24; D11/131.1; D7/509, 522, 524, 537

See application file for complete search history.

(56) **References Cited**

U.S. PATENT DOCUMENTS

D242,844	S	*	12/1976	Seiferth et al.	.....	D9/732
D291,242	S	*	8/1987	Harden et al.	.....	D23/386
4,849,606	A	*	7/1989	Martens et al.	.....	392/390
4,944,898	A	*	7/1990	Glaser	.....	261/84
5,439,100	A	*	8/1995	Gordon et al.	.....	206/5
5,556,192	A	*	9/1996	Wang	.....	362/276
6,123,935	A	*	9/2000	Wefler et al.	.....	424/76.1
D520,130	S	*	5/2006	Miro	.....	D23/368
D536,082	S	*	1/2007	Pugh	.....	D23/366
7,188,780	B2	*	3/2007	Martens, III	.....	239/35
D540,454	S	*	4/2007	Ruiz Ballesteros et al.	.....	D23/366
7,213,770	B2	*	5/2007	Martens et al.	.....	239/57
7,426,799	B2	*	9/2008	Christianson et al.	.....	40/725
D607,984	S	*	1/2010	Ko et al.	.....	D23/366
D611,589	S	*	3/2010	Ko et al.	.....	D23/366
D612,039	S	*	3/2010	Ko et al.	.....	D23/366
D614,023	S	*	4/2010	Amos et al.	.....	D9/416
7,841,587	B2	*	11/2010	Pankhurst et al.	.....	261/142
D691,254	S	*	10/2013	Sanders	.....	D23/366
2006/0000922	A1	*	1/2006	Martens, III	.....	239/60

\* cited by examiner

*Primary Examiner* — Sandra Snapp

(74) *Attorney, Agent, or Firm* — Lucas & Mercanti, LLP

(57) **CLAIM**

The ornamental design for air freshener, as shown and described.

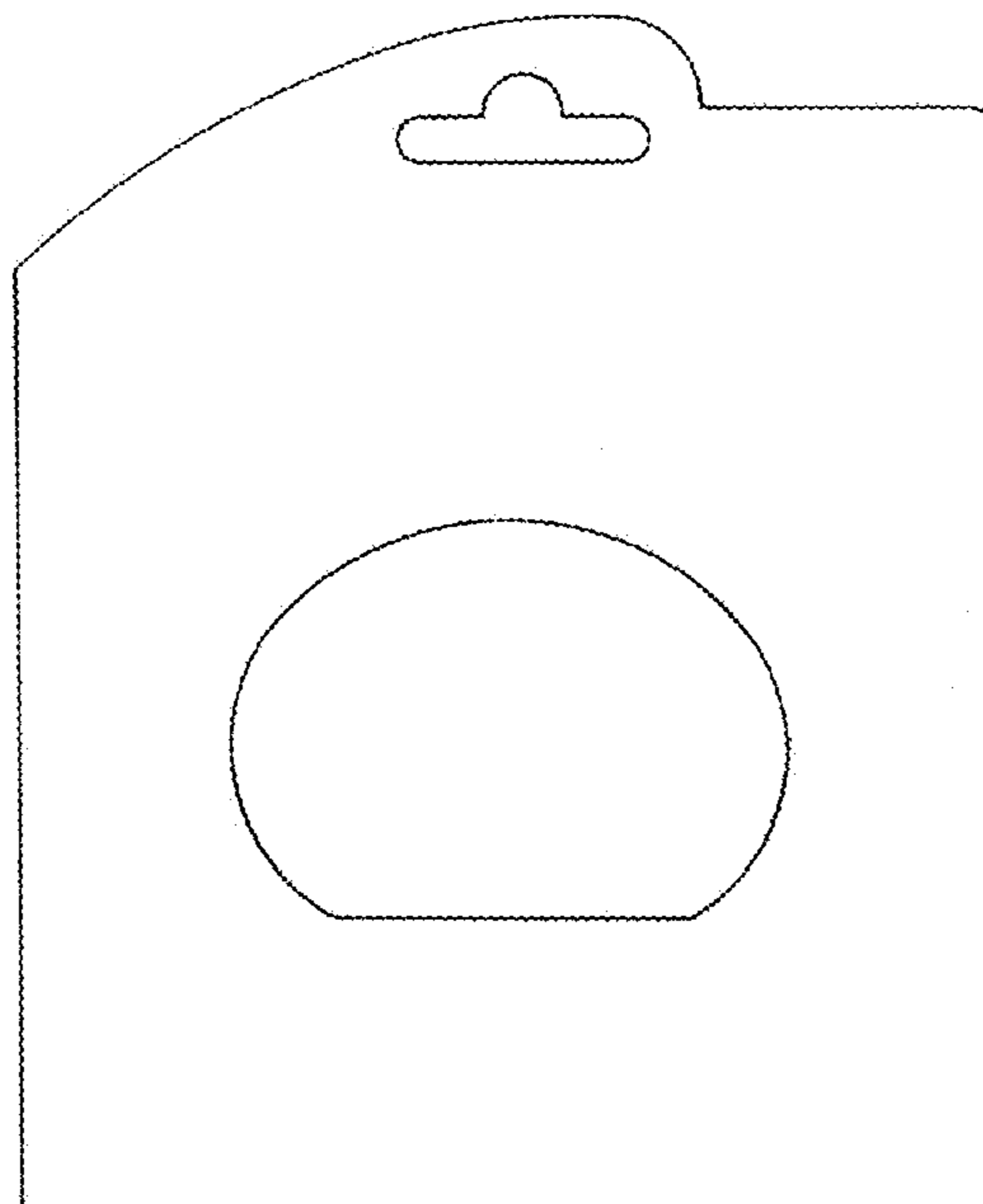
**DESCRIPTION**

FIG. 1 is a front view showing a configuration of the air freshener;

FIG. 2 is a side view of the air freshener; and,

FIG. 3 is a back view of the air freshener.

**1 Claim, 3 Drawing Sheets**



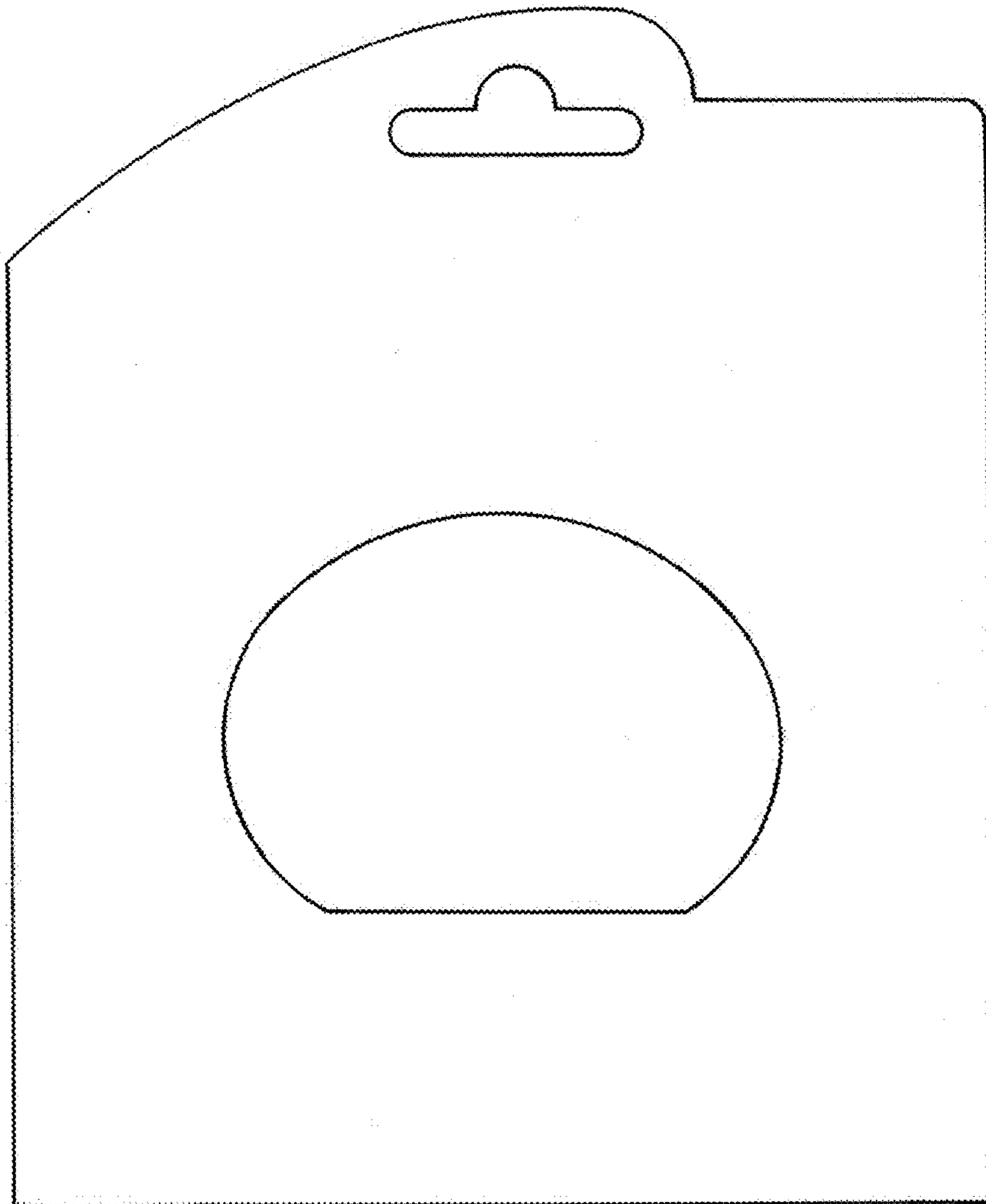


FIG. 1

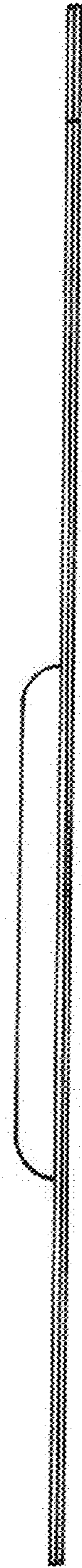


FIG. 2

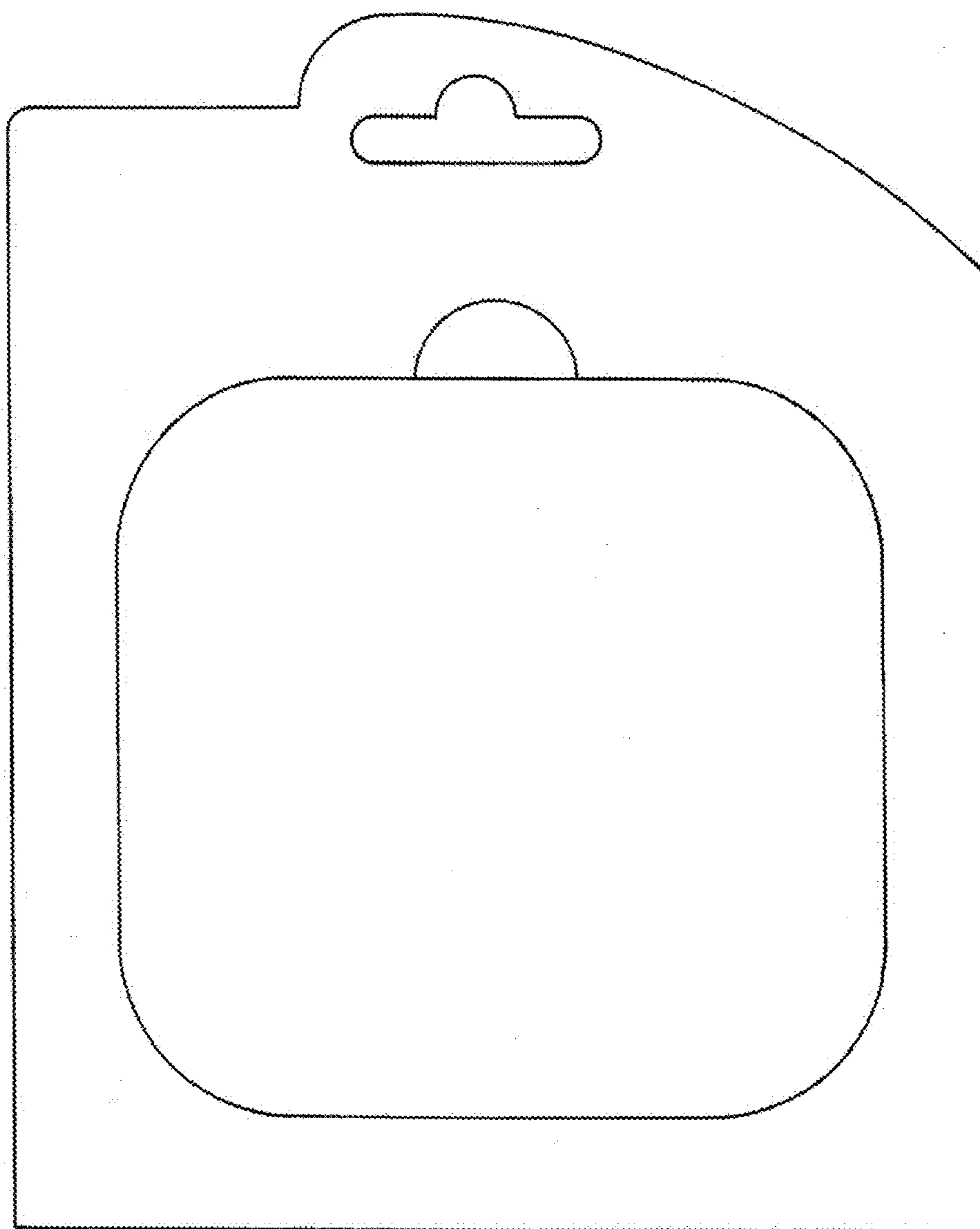


FIG. 3